



US00D801917S

(12) **United States Design Patent** (10) **Patent No.:** **US D801,917 S**
Jiang (45) **Date of Patent:** **** Nov. 7, 2017**

(54) **BATTERY PACK**

(71) Applicant: **CHERVON INTELLECTUAL PROPERTY LIMITED**, Road Town (VG)

(72) Inventor: **Chan Jiang**, Nanjing (CN)

(73) Assignee: **Chervon (HK) Limited**, Wanchai (HK)

(**) Term: **15 Years**

(21) Appl. No.: **29/536,676**

(22) Filed: **Aug. 19, 2015**

(30) **Foreign Application Priority Data**

Mar. 13, 2015 (CN) 2015 3 0060112

(51) **LOC (10) Cl.** **13-02**

(52) **U.S. Cl.**
USPC **D13/103**

(58) **Field of Classification Search**

USPC D13/102-106, 110, 118-119, 184
CPC Y02E 60/12; Y02E 60/122; Y02E 60/124;
Y02E 60/50; H01M 2/02; H01M 2/022;
H01M 2/0202; H01M 2/0207; H01M
2/0212; H01M 2/1061; H01M 2/1022;
H01M 2/1055; H01M 2/1066; H01M
2/105; H01M 2/204; H01M 10/4257;
H01M 10/0436; H01M 10/48; H01M
10/42

See application file for complete search history.

(56) **References Cited**

U.S. PATENT DOCUMENTS

D555,086 S * 11/2007 Zhang D13/103
D597,932 S * 8/2009 Aglassinger D13/103

D604,694 S * 11/2009 Aglassinger D13/103
D640,196 S * 6/2011 Shuang D13/103
D651,560 S * 1/2012 Park D13/103
D682,194 S * 5/2013 Jiang D13/103
D685,730 S * 7/2013 Hamm D13/103
D718,705 S * 12/2014 Naksen D13/103
D770,377 S * 11/2016 Kondo D13/103
D780,688 S * 3/2017 Elder D13/103
2014/0272516 A1 * 9/2014 Tennison H01M 2/105
429/120
2015/0357683 A1 * 12/2015 Lohr H01F 38/14
320/108
2017/0110709 A1 * 4/2017 Kolden H01M 2/32
2017/0155262 A1 * 6/2017 Geng H02J 7/0044

* cited by examiner

Primary Examiner — Rosemary K Tarcza

Assistant Examiner — Nathaniel D Buckner

(74) *Attorney, Agent, or Firm* — Greenberg Traurig, LLP

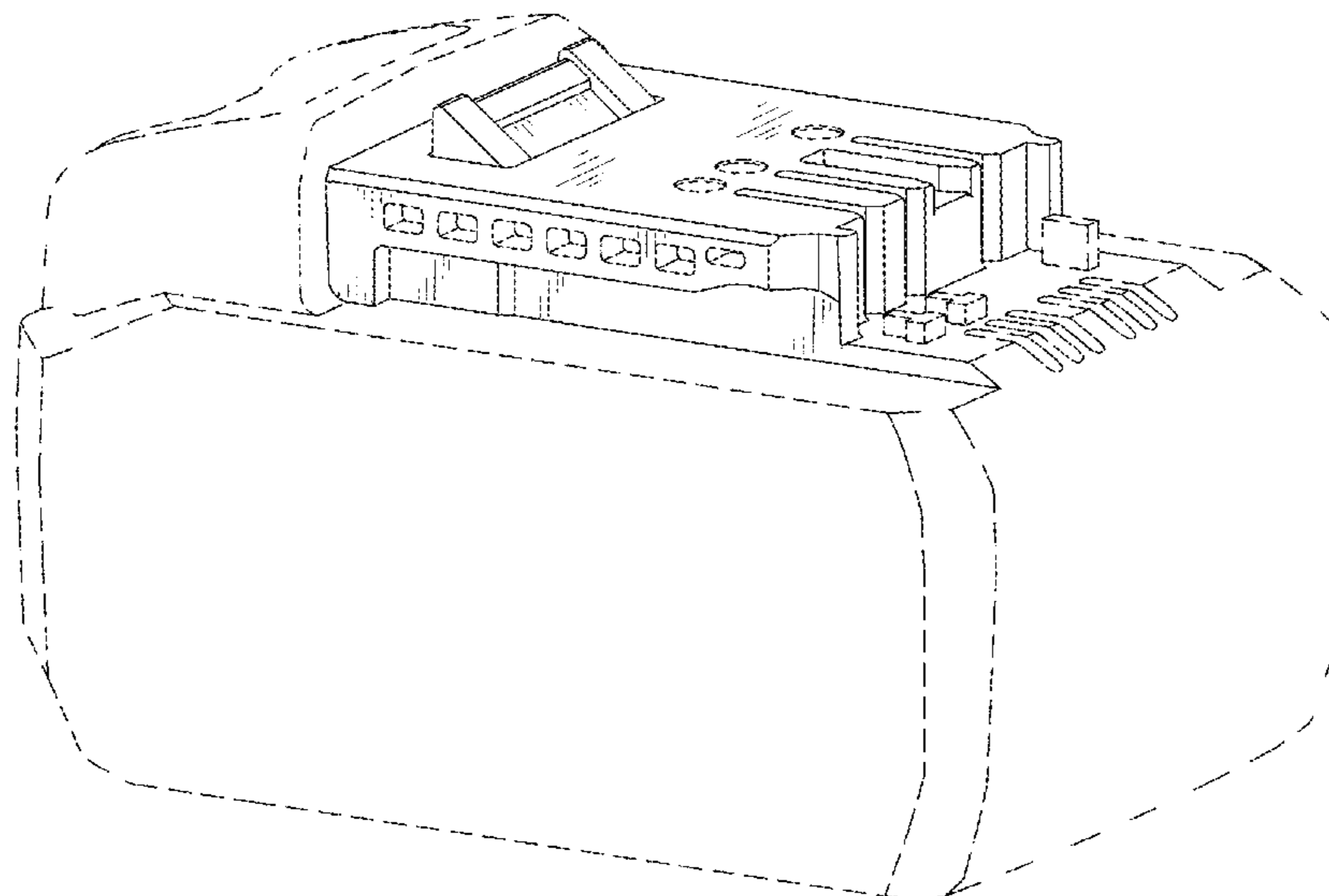
(57) **CLAIM**

What is claimed is the ornamental design for a battery pack, as shown and described.

DESCRIPTION

FIG. 1 is a right side elevational view of a battery pack showing my new design;
FIG. 2 is a left side elevational view thereof;
FIG. 3 is a front side elevational view thereof;
FIG. 4 is a top plan view thereof;
FIG. 5 is a perspective view thereof; and,
FIG. 6 is a perspective view thereof.
The broken lines in the figures represent portions of the article which form no part of the claim.

1 Claim, 6 Drawing Sheets



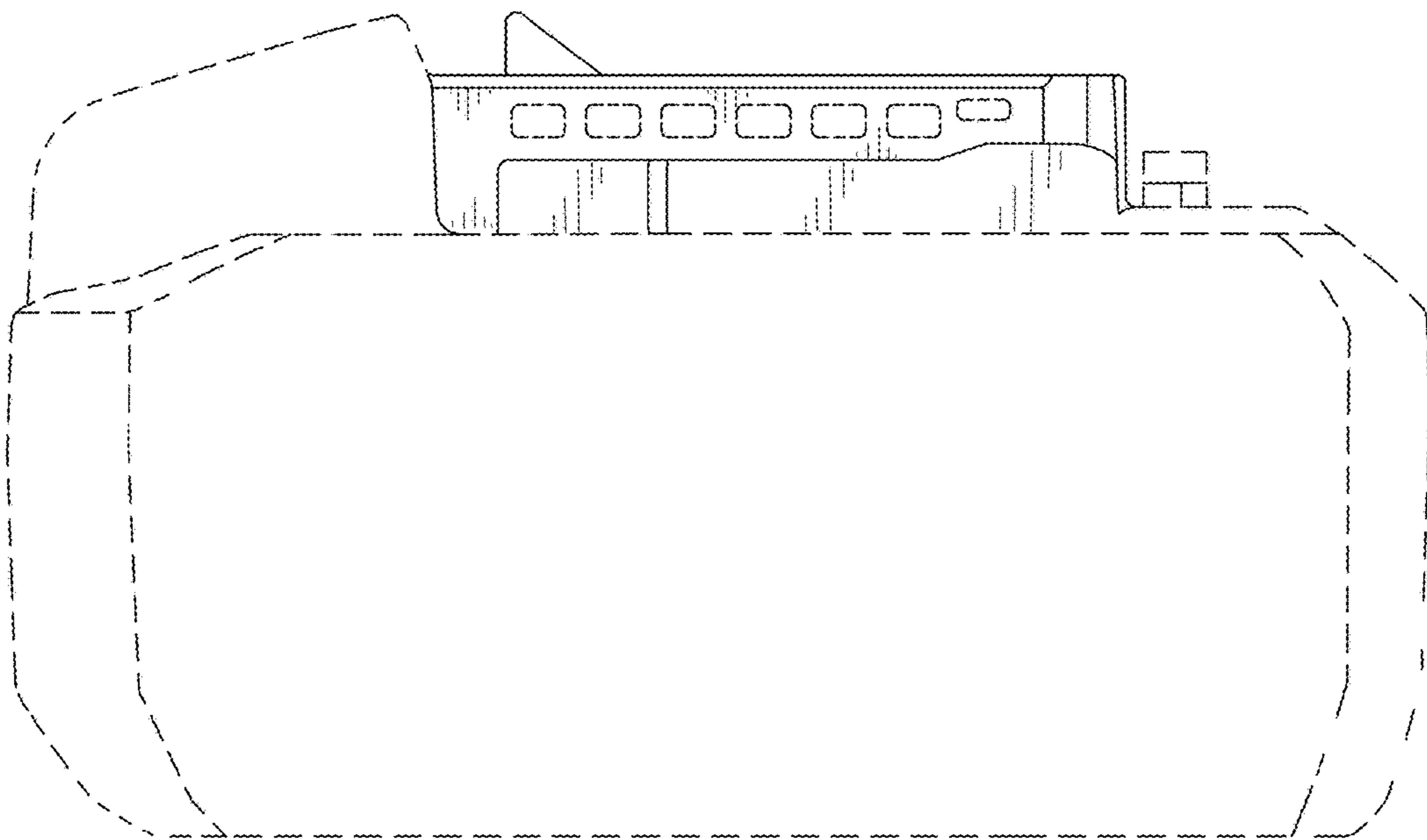


Fig.1

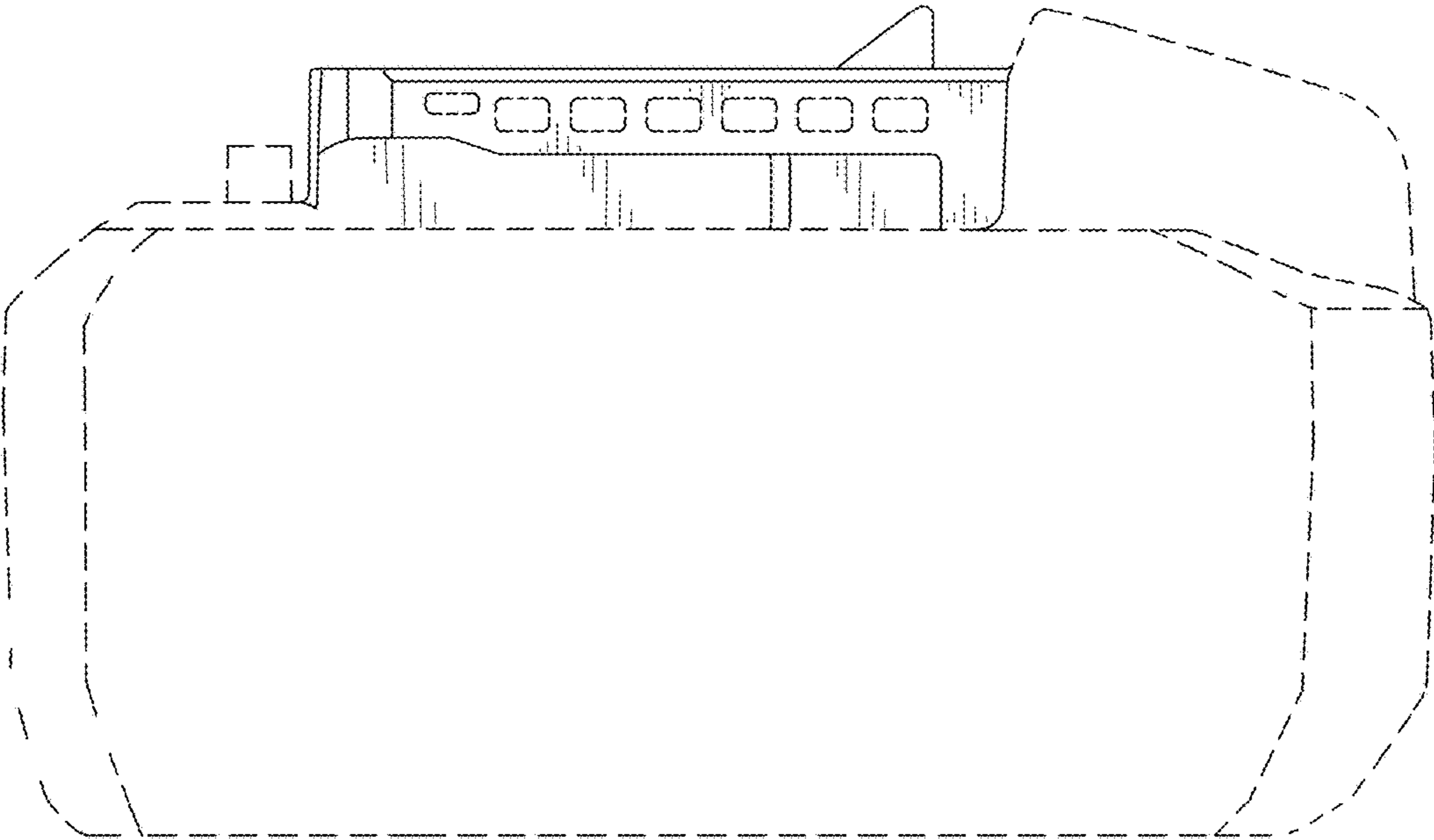


Fig.2

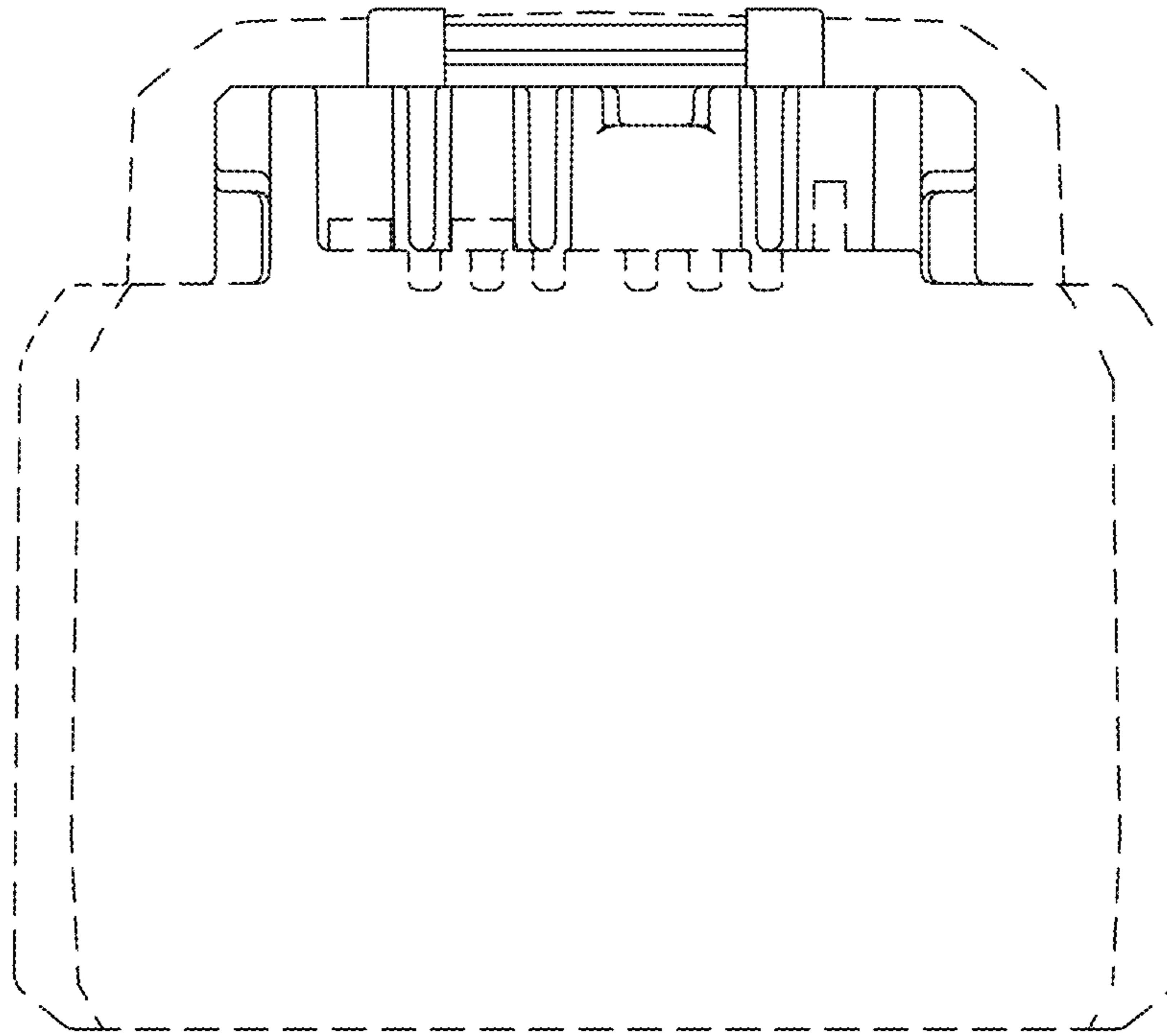


Fig.3

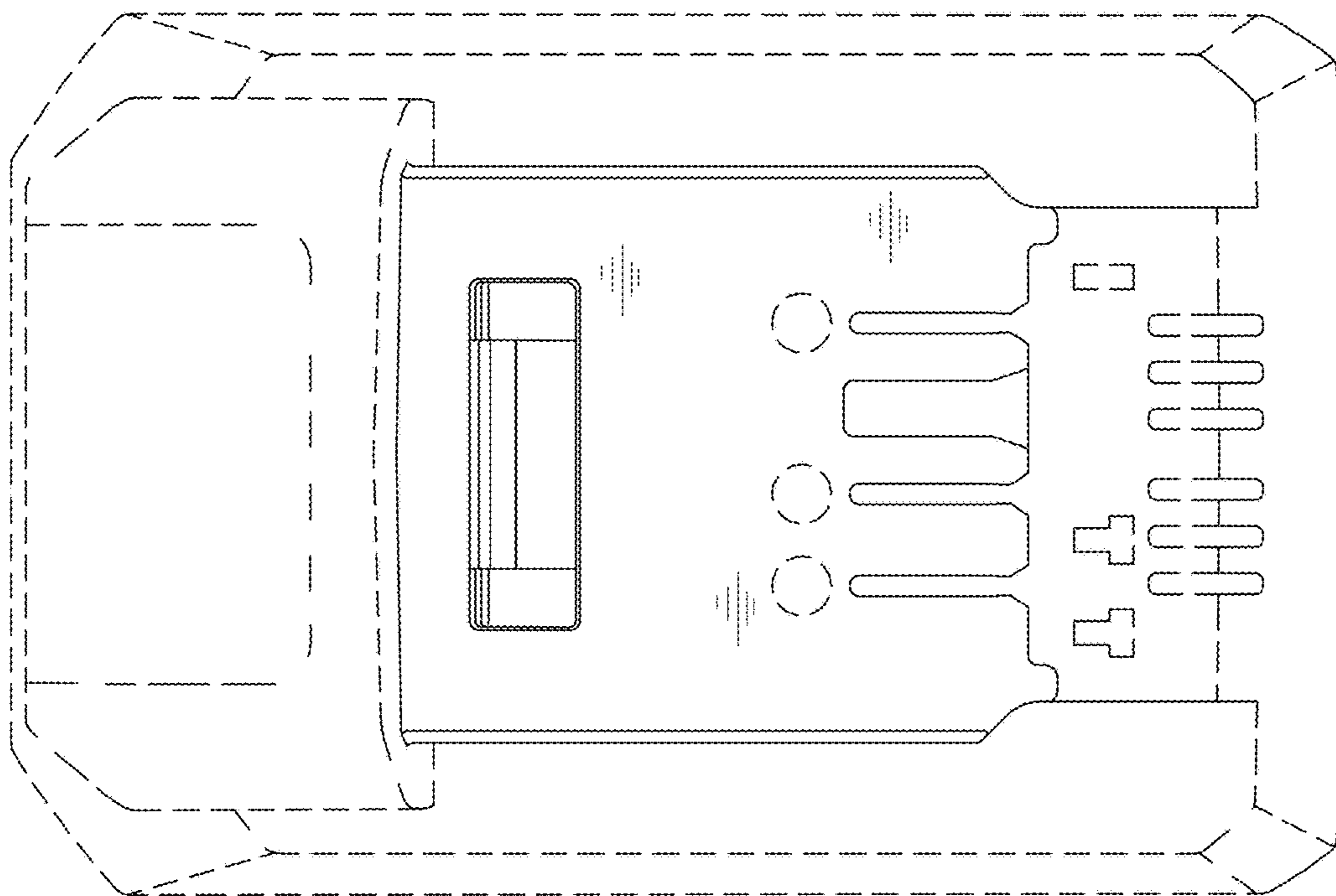


Fig.4

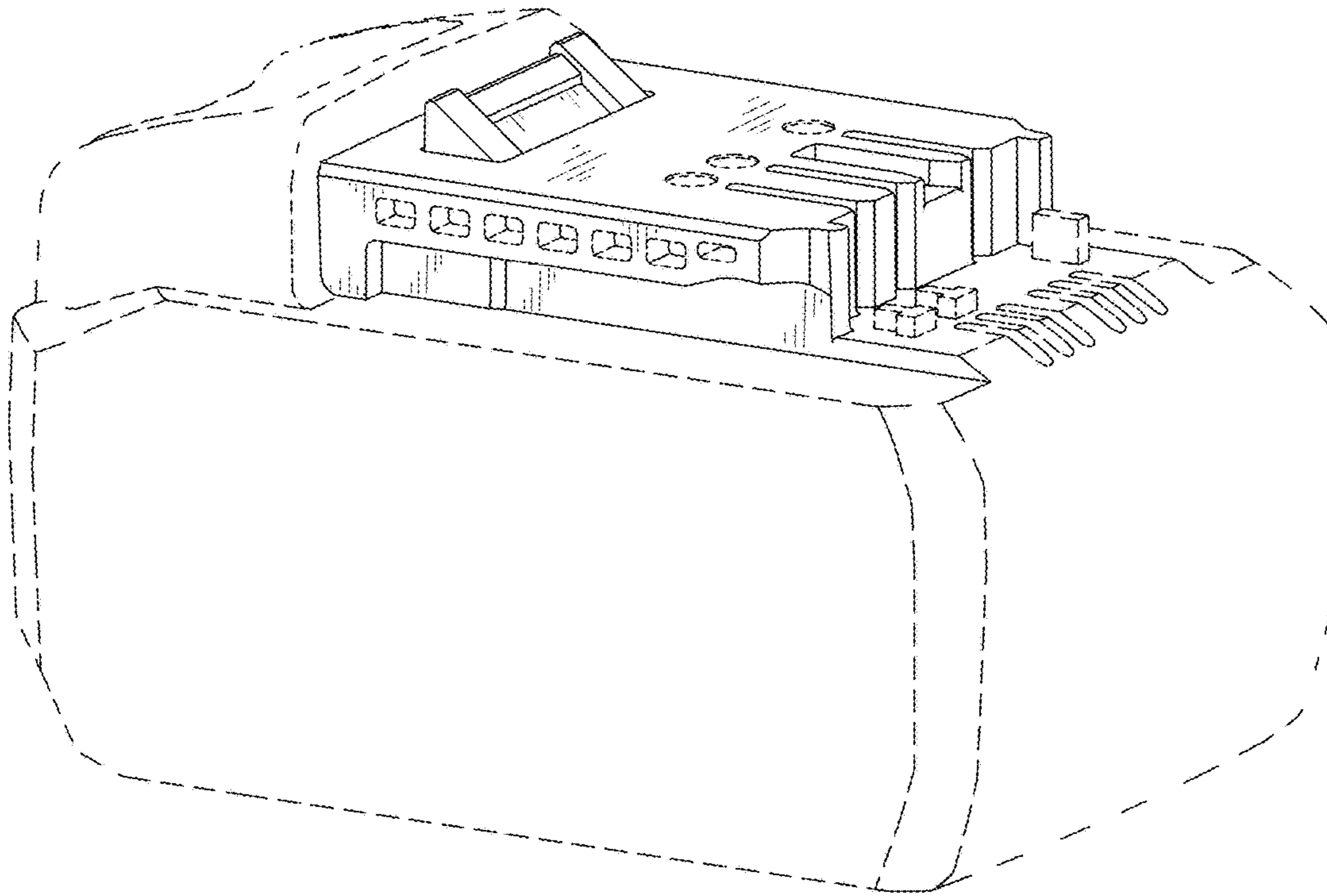


Fig.5

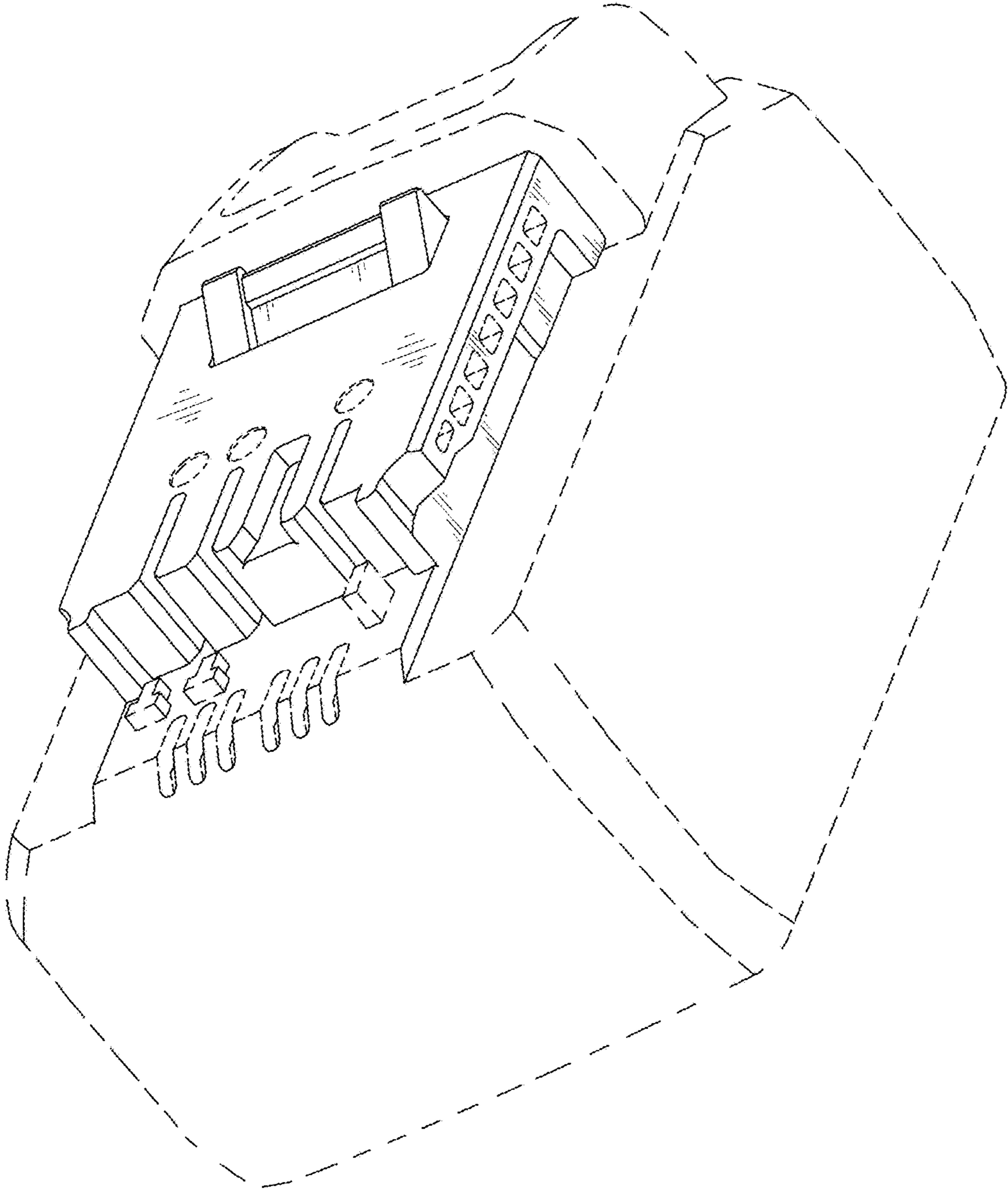


Fig.6