



US00D801916S

(12) **United States Design Patent** (10) **Patent No.:** **US D801,916 S**
Altenburger et al. (45) **Date of Patent:** **** Nov. 7, 2017**

(54) **BATTERY PACK**
(71) Applicant: **TTI (MACAO COMMERCIAL OFFSHORE) LIMITED**, Macau (MO)
(72) Inventors: **Ryan Altenburger**, Greenville, SC (US); **Brent Gregorich**, Anderson, SC (US); **Michael Buckner**, Central, SC (US)
(73) Assignee: **TTI (MACAO COMMERCIAL OFFSHORE) LIMITED**, Macau (MO)
(**) Term: **15 Years**

7,845,426 B2 12/2010 Jung et al.
D640,975 S * 7/2011 Okuda D13/103
8,191,648 B2 6/2012 Watanabe et al.
8,393,409 B2 3/2013 Pedicini
D718,705 S * 12/2014 Naksen D13/103
8,936,106 B2 1/2015 Pedicini
D748,577 S * 2/2016 Marino D13/118
D770,377 S * 11/2016 Kondo D13/103
2006/0185865 A1 8/2006 Jung et al.
2008/0220324 A1 * 9/2008 Phillips B25F 5/02
429/120
2010/0282483 A1 11/2010 Jung et al.
2013/0136965 A1 * 5/2013 Nakano H01M 10/48
429/92
2013/0186666 A1 7/2013 Yoshino et al.
(Continued)

(21) Appl. No.: **29/533,865**
(22) Filed: **Jul. 22, 2015**
(51) **LOC (10) Cl.** **13-02**
(52) **U.S. Cl.**
USPC **D13/103**
(58) **Field of Classification Search**
USPC D13/102–106, 110, 118–119, 184
CPC Y02E 60/12; Y02E 60/122; Y02E 60/124;
Y02E 60/50; H01M 2/02; H01M 2/022;
H01M 2/0202; H01M 2/0207; H01M
2/0212; H01M 2/1061; H01M 2/1022;
H01M 2/1055; H01M 2/1066; H01M
2/105; H01M 2/204; H01M 10/4257;
H01M 10/0436; H01M 10/48; H01M
10/42
See application file for complete search history.

FOREIGN PATENT DOCUMENTS

CA 2823207 7/2012
CA 2872180 11/2013
CA 2872182 11/2013

Primary Examiner — Rosemary K Tarcza
Assistant Examiner — Nathaniel D Buckner
(74) *Attorney, Agent, or Firm* — Michael Best & Friedrich LLP

(57) **CLAIM**

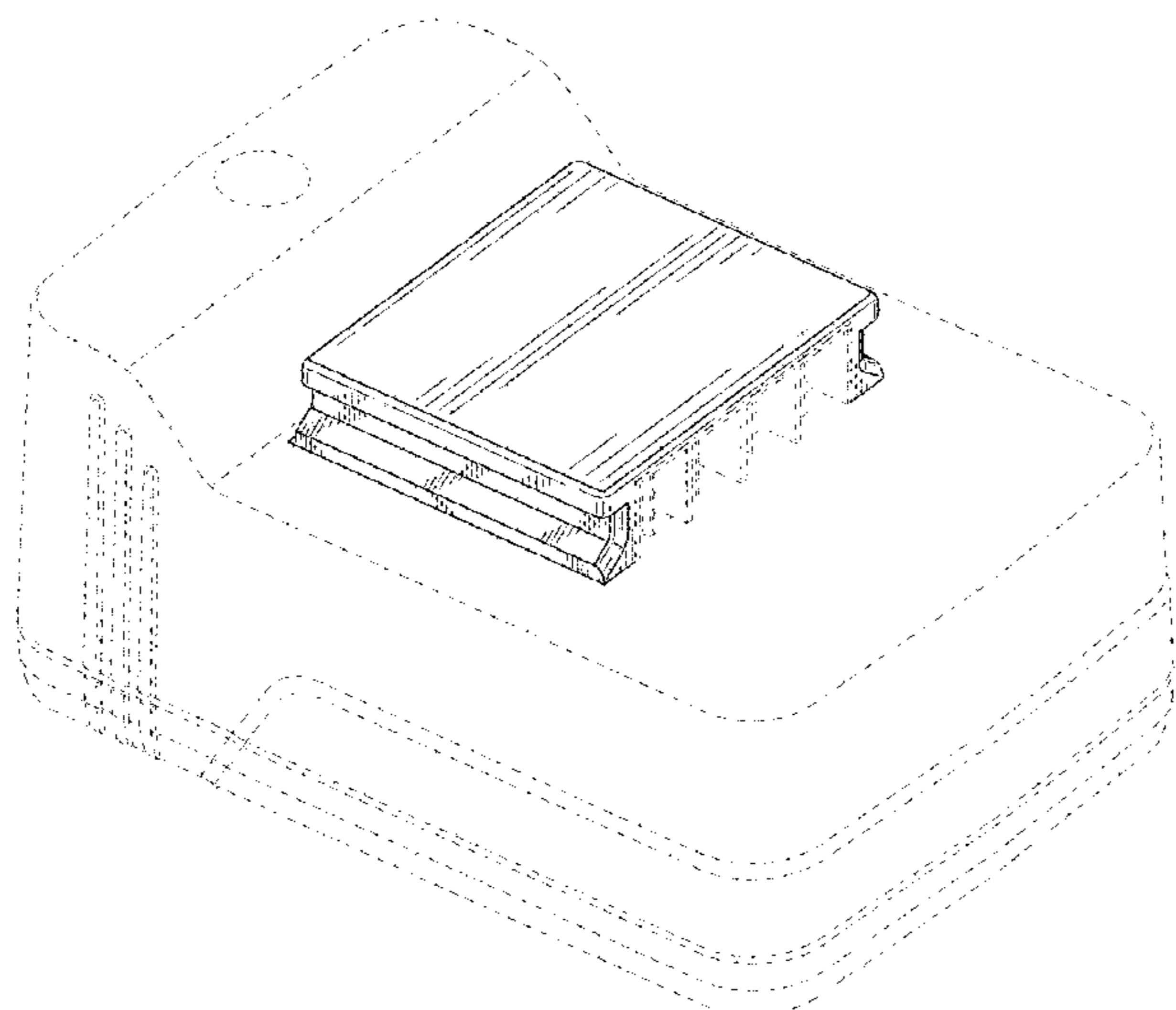
We claim the ornamental design for a battery pack, as shown and described.

DESCRIPTION

FIG. 1 is a front perspective view of a battery pack of the invention.
FIG. 2 is a first side view of the battery pack of FIG. 1.
FIG. 3 is a second side view of the battery pack of FIG. 1.
FIG. 4 is a top view of the battery pack of FIG. 1; and,
FIG. 5 is a front view of the battery pack of FIG. 1.
The dot dash broken line shown in the figures represents the boundary of the claimed design. The dot dash line itself forms no part of the claimed design.

1 Claim, 4 Drawing Sheets

(56) **References Cited**
U.S. PATENT DOCUMENTS
5,057,112 A 10/1991 Sherman et al.
D555,086 S * 11/2007 Zhang D13/103
7,320,368 B2 1/2008 Watanabe
7,513,402 B2 4/2009 Miyashita et al.
D610,082 S * 2/2010 Sweeney D13/103
D622,661 S * 8/2010 Yamada D13/103



(56)

References Cited

U.S. PATENT DOCUMENTS

2013/0293197 A1* 11/2013 Sakakibara B25F 5/00
320/118
2014/0100687 A1 4/2014 Ekstrom et al.
2014/0266071 A1* 9/2014 Tomiyasu H02J 7/0091
320/150
2014/0272516 A1* 9/2014 Tennison H01M 2/105
429/120
2017/0155262 A1* 6/2017 Geng H02J 7/0044

* cited by examiner

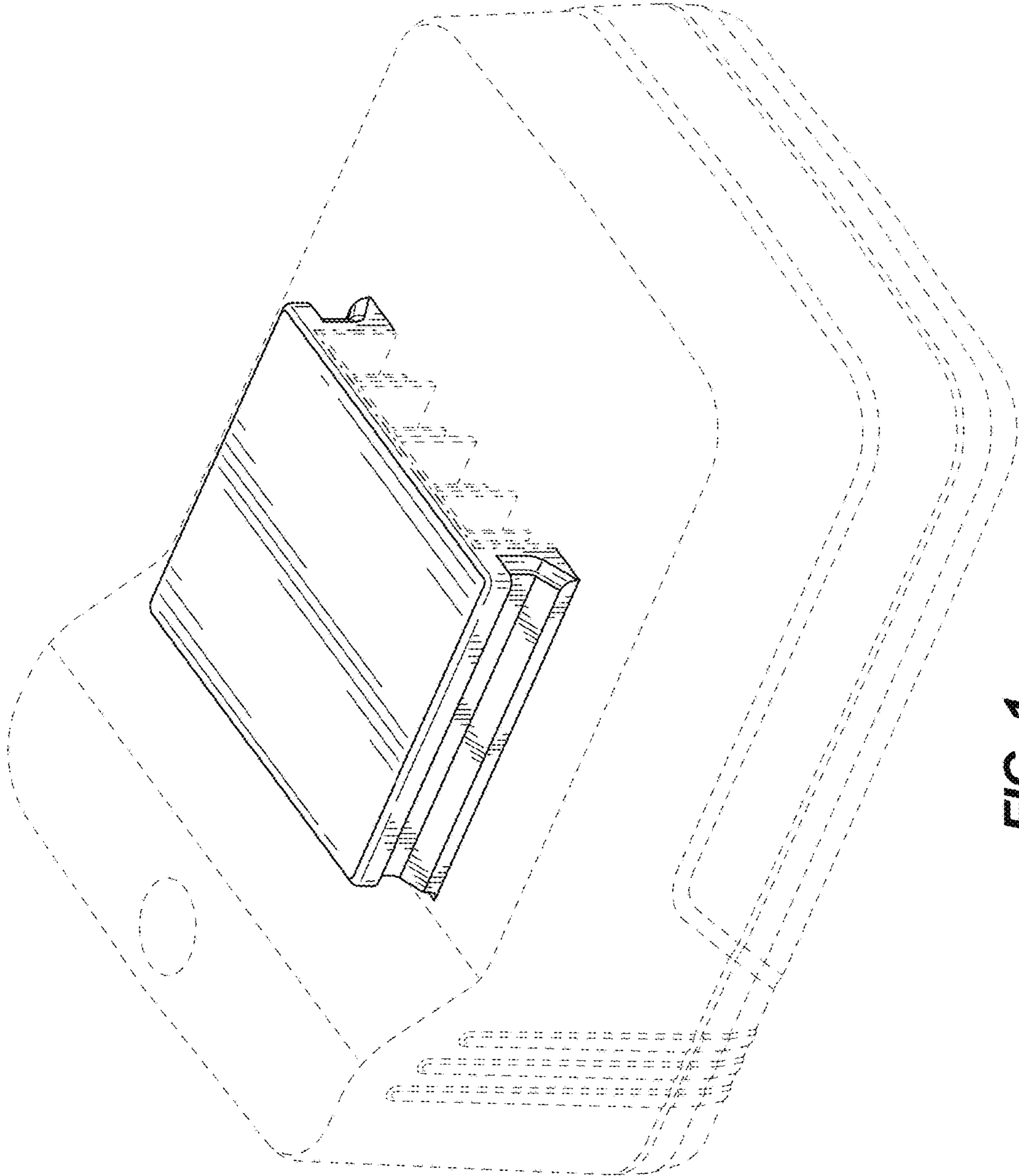


FIG. 1

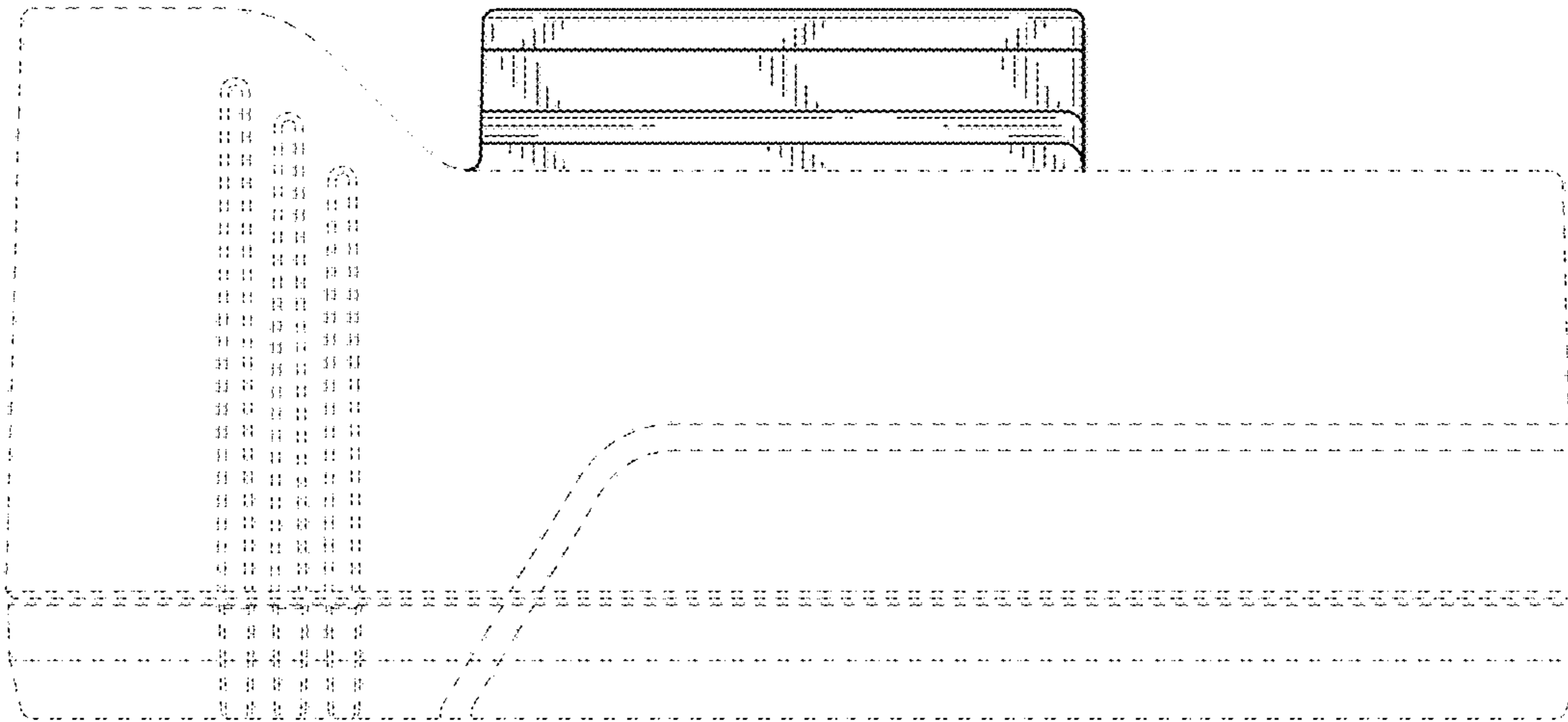


FIG. 2

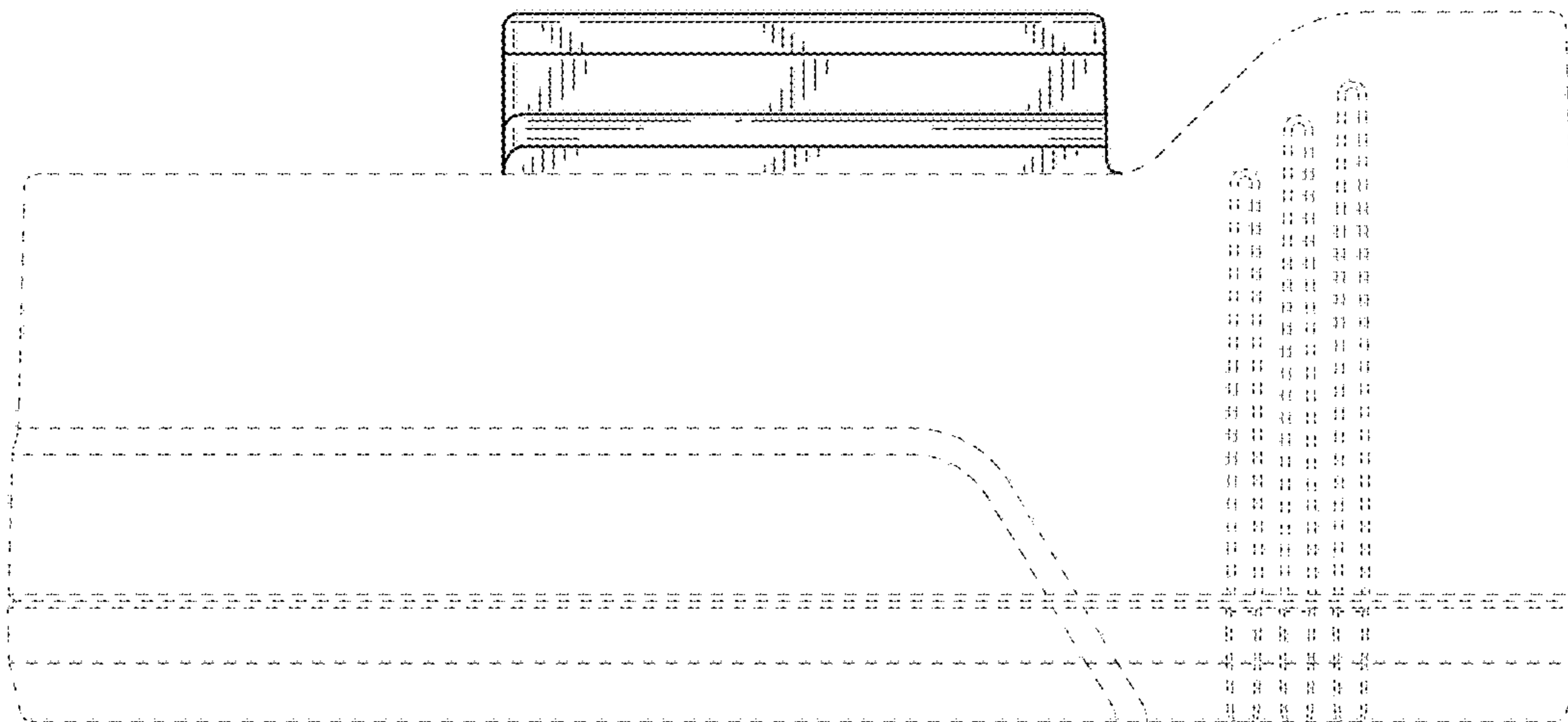


FIG. 3

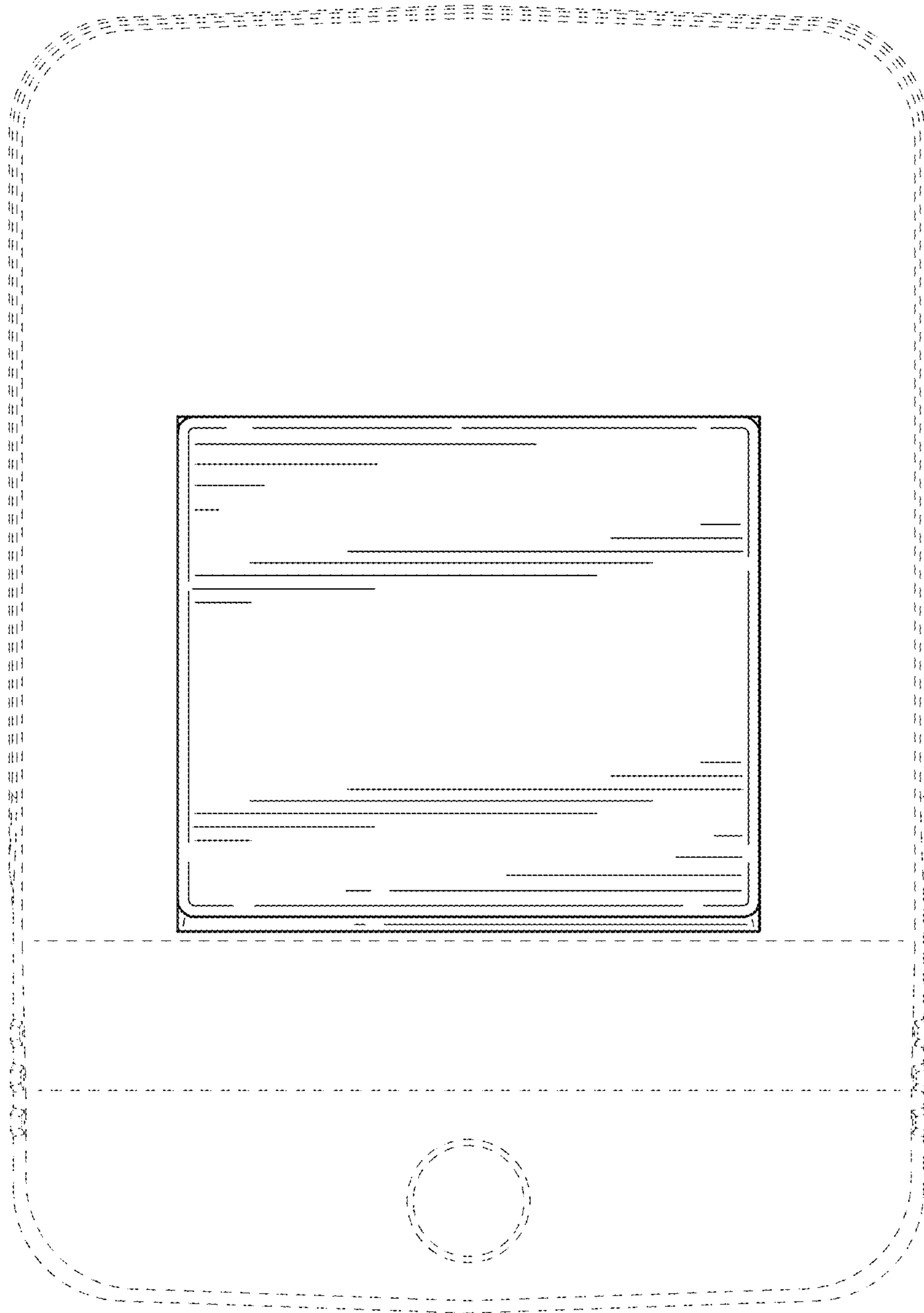


FIG. 4

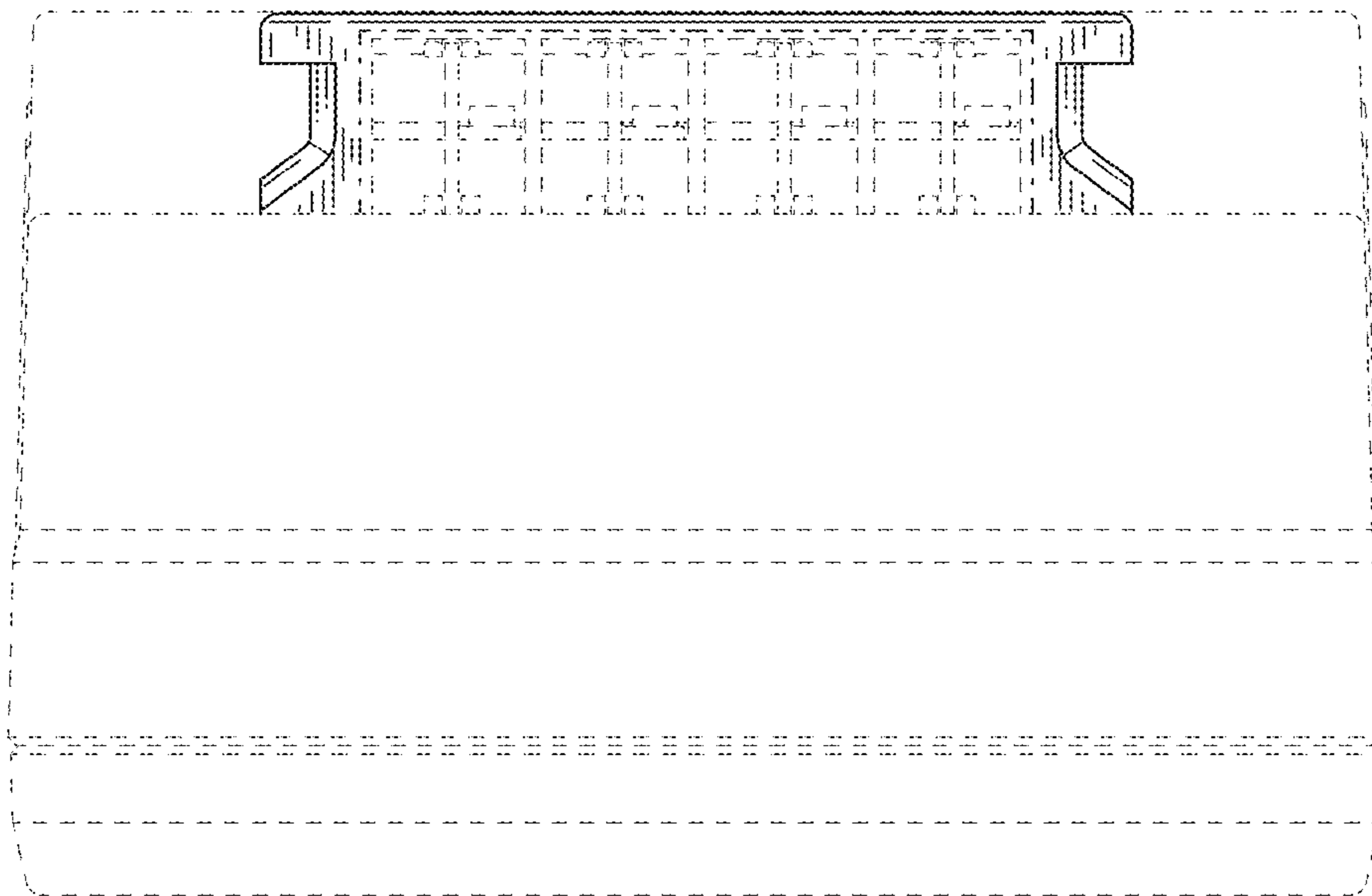


FIG. 5