



US00D801915S

(12) **United States Design Patent** (10) **Patent No.:** **US D801,915 S**
Bauer et al. (45) **Date of Patent:** **** Nov. 7, 2017**

(54) **MOUNTING BRACKET FOR ROOF MOUNTED PHOTOVOLTAIC MODULES**

(71) Applicant: **Unirac Inc.**, Albuquerque, NM (US)

(72) Inventors: **Steve Bauer**, Albuquerque, NM (US);
Bill Vaught, Albuquerque, NM (US);
Kim Weaver, Edgewood, NM (US);
Caitlin Purigraski, Albuquerque, NM (US);
Stacy Harris, Albuquerque, NM (US);
Charles Stubbs, Tijeras, NM (US)

(73) Assignee: **Unirac Inc.**, Albuquerque, NM (US)

(**) Term: **15 Years**

(21) Appl. No.: **29/571,281**

(22) Filed: **Jul. 15, 2016**

Related U.S. Application Data

(63) Continuation of application No. 15/192,173, filed on Jun. 24, 2016.

(51) **LOC (10) Cl.** **13-02**

(52) **U.S. Cl.**
USPC **D13/102**

(58) **Field of Classification Search**
USPC D13/102, 101, 184, 199; D6/512, 519;
D8/349, 354; 126/621, 622, 623, 704,
126/904; 136/243, 251; 211/13.1, 41.1
CPC H01L 31/048; H01L 31/0422; H01L
31/0484; Y02B 10/12; Y02E 10/50; H02S
20/24; F16B 1/00; F16B 2001/0064
See application file for complete search history.

(56) **References Cited**

U.S. PATENT DOCUMENTS

6,105,316 A 8/2000 Boettger et al.
7,260,918 B2 8/2007 Liebendorfer

7,434,362 B2 10/2008 Liebendorfer
7,780,472 B2 8/2010 Lenox
D647,049 S * 10/2011 Vaid D13/102
8,156,697 B2 4/2012 Miros et al.
8,181,926 B2 5/2012 Magno, Jr. et al.
8,234,824 B2 8/2012 Botkin et al.
8,266,848 B2 9/2012 Miros et al.
8,291,653 B2 10/2012 Suarez et al.
8,413,944 B2 4/2013 Harberts et al.
8,430,372 B2 4/2013 Haddock
8,475,185 B2 7/2013 Rivera et al.
8,485,483 B2 * 7/2013 Rees F24J 2/5237
248/237
8,505,864 B1 8/2013 Taylor et al.
D692,372 S * 10/2013 Rothschild D13/102
8,615,939 B2 12/2013 Seery et al.
8,640,400 B2 2/2014 Liebendorfer
8,740,163 B1 6/2014 Taylor et al.
8,746,646 B2 6/2014 Fluhner et al.
8,748,733 B2 6/2014 Leary
D708,124 S * 7/2014 Ilzhoefer D13/102
8,801,349 B2 8/2014 McPheeters

(Continued)

Primary Examiner — Derrick Holland

(74) *Attorney, Agent, or Firm* — Crowell & Moring LLP

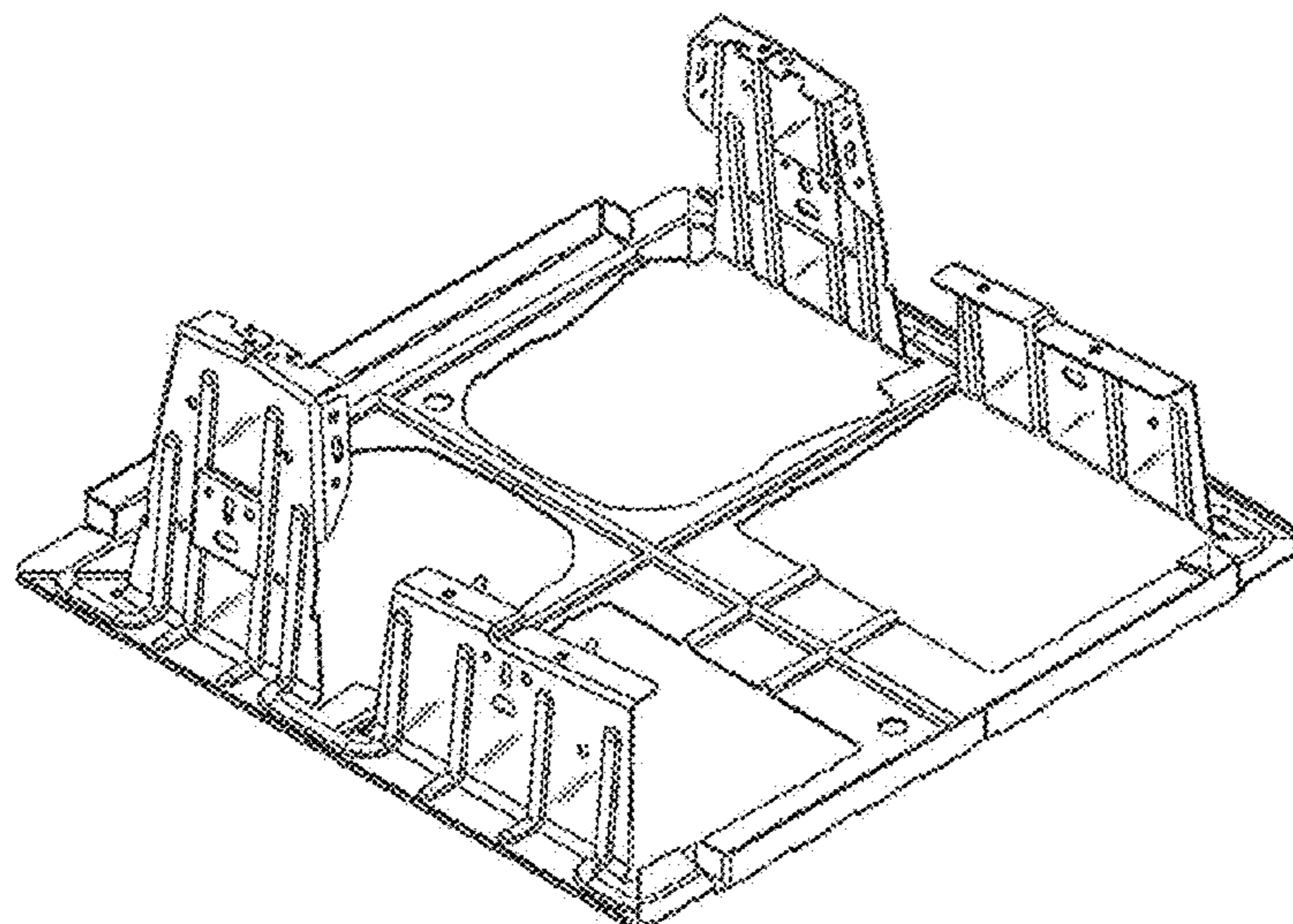
(57) **CLAIM**

The ornamental design for a mounting bracket for roof mounted photovoltaic modules, as shown and described.

DESCRIPTION

FIG. 1 is a perspective view of a mounting bracket for roof mounted photovoltaic modules according to the design; FIG. 2 is a front elevational view thereof, the rear elevational view being a mirror image; FIG. 3 is a side elevational view thereof; FIG. 4 is a top plan view thereof; and, FIG. 5 is a bottom plan view thereof.

1 Claim, 5 Drawing Sheets



(56)

References Cited

U.S. PATENT DOCUMENTS

8,813,441 B2	8/2014	Rizzo	9,214,891 B2	12/2015	Dickey
8,844,215 B2	9/2014	Wildes et al.	9,249,925 B2	2/2016	Roensch et al.
8,850,754 B2	10/2014	Rizzo	2009/0320904 A1	12/2009	Botkin et al.
8,869,471 B2	10/2014	Wildes et al.	2010/0089390 A1	4/2010	Miros et al.
D718,228 S *	11/2014	Clarkson D13/102	2010/0219304 A1 *	9/2010	Miros F24J 2/5205 248/125.8
8,875,453 B2	11/2014	Kancuzewski et al.	2010/0275975 A1	11/2010	Monschke et al.
D718,703 S	12/2014	Rizzo	2011/0138585 A1	6/2011	Kmita et al.
D718,704 S	12/2014	Rizzo	2012/0032045 A1 *	2/2012	Lallier E04G 3/26 248/237
D719,503 S *	12/2014	Kouyanagi D13/102	2012/0199180 A1 *	8/2012	Salam F24J 2/4638 136/251
D723,455 S *	3/2015	Luconi D13/102	2014/0010616 A1	1/2014	Meine et al.
8,984,819 B1	3/2015	Yang et al.	2014/0096462 A1	4/2014	Haddock
9,003,726 B2	4/2015	Sader	2014/0130847 A1	5/2014	West et al.
9,010,043 B2	4/2015	Kancuzewski et al.	2014/0174511 A1	6/2014	West et al.
9,032,673 B2	5/2015	Kancuzewski et al.	2014/0290716 A1	10/2014	Stubbs
9,038,329 B2	5/2015	Pelman et al.	2014/0311552 A1	10/2014	Garrett
9,052,123 B2	6/2015	Anderson et al.	2015/0171786 A1	6/2015	Worden
9,057,542 B2	6/2015	Schuit et al.	2015/0214884 A1	7/2015	Rizzo
9,087,947 B2	7/2015	Kancuzewski et al.	2015/0249423 A1	9/2015	Braunstein et al.
9,106,023 B2	8/2015	Schaefer et al.	2015/0256120 A1	9/2015	Anderson et al.
9,142,700 B2	9/2015	Meine et al.	2015/0288320 A1	10/2015	Stearns et al.
9,145,906 B2	9/2015	Schuit et al.	2015/0311606 A1	10/2015	Meine et al.
9,160,273 B2	10/2015	Schuit et al.	2015/0311854 A1	10/2015	Goehringer et al.
9,166,522 B1	10/2015	Zvanut et al.	2016/0079912 A1	3/2016	Wildes et al.
9,175,878 B2	11/2015	Kemmer et al.	2016/0111997 A1	4/2016	Ganshaw et al.
9,196,755 B2	11/2015	Wildes			

* cited by examiner

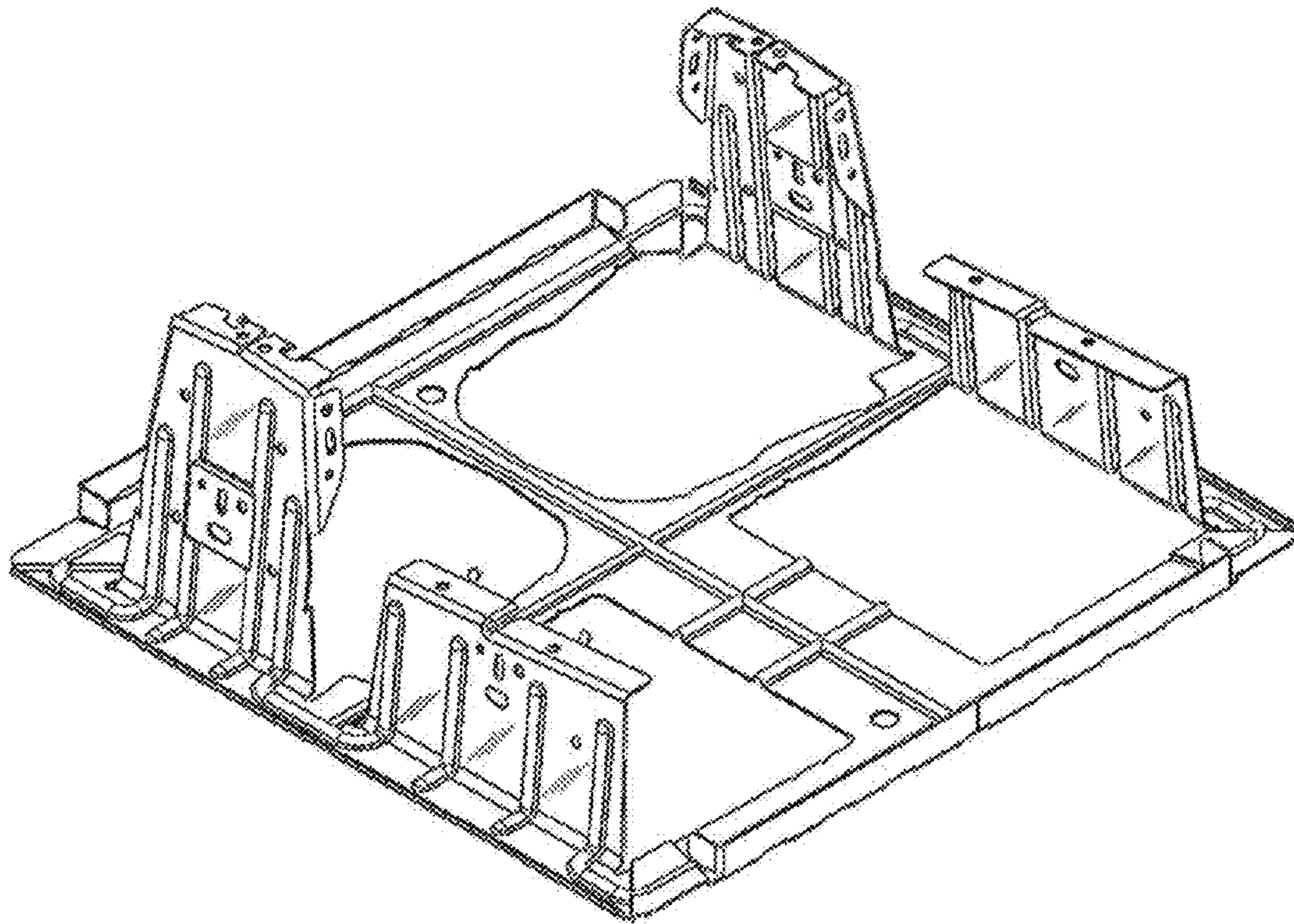


FIG. 1

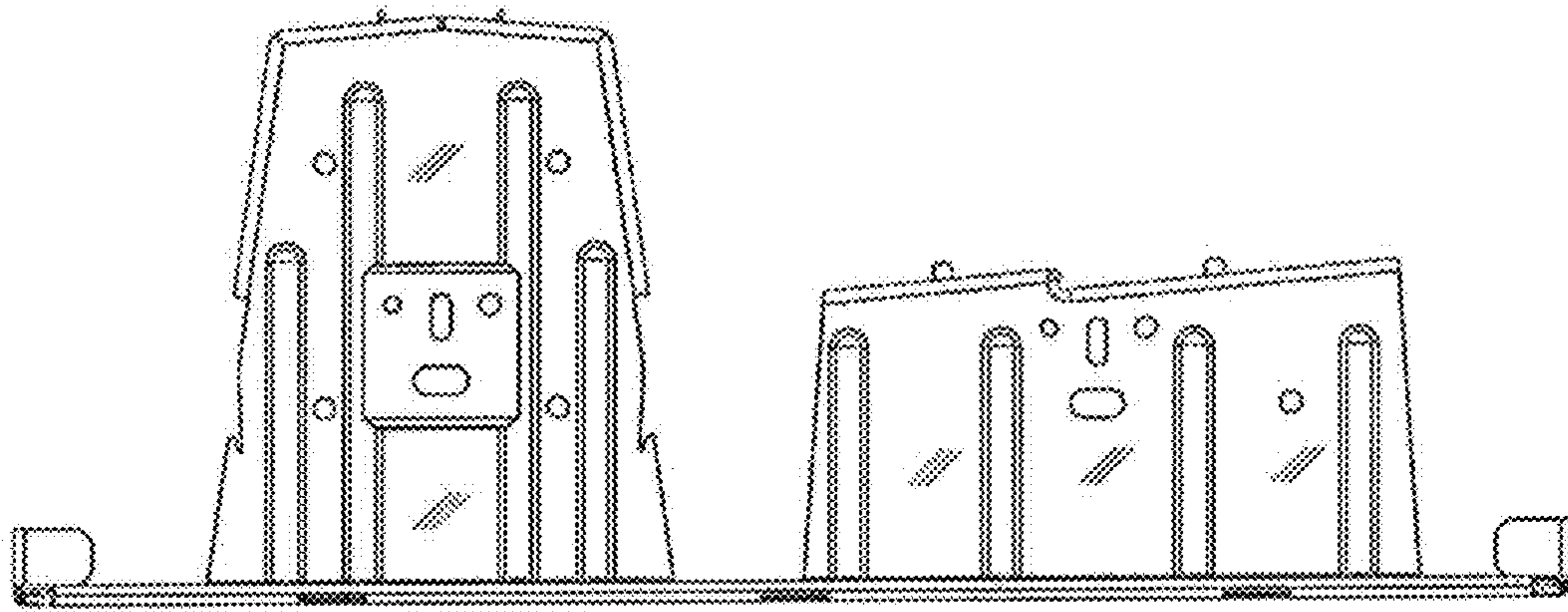


FIG. 2

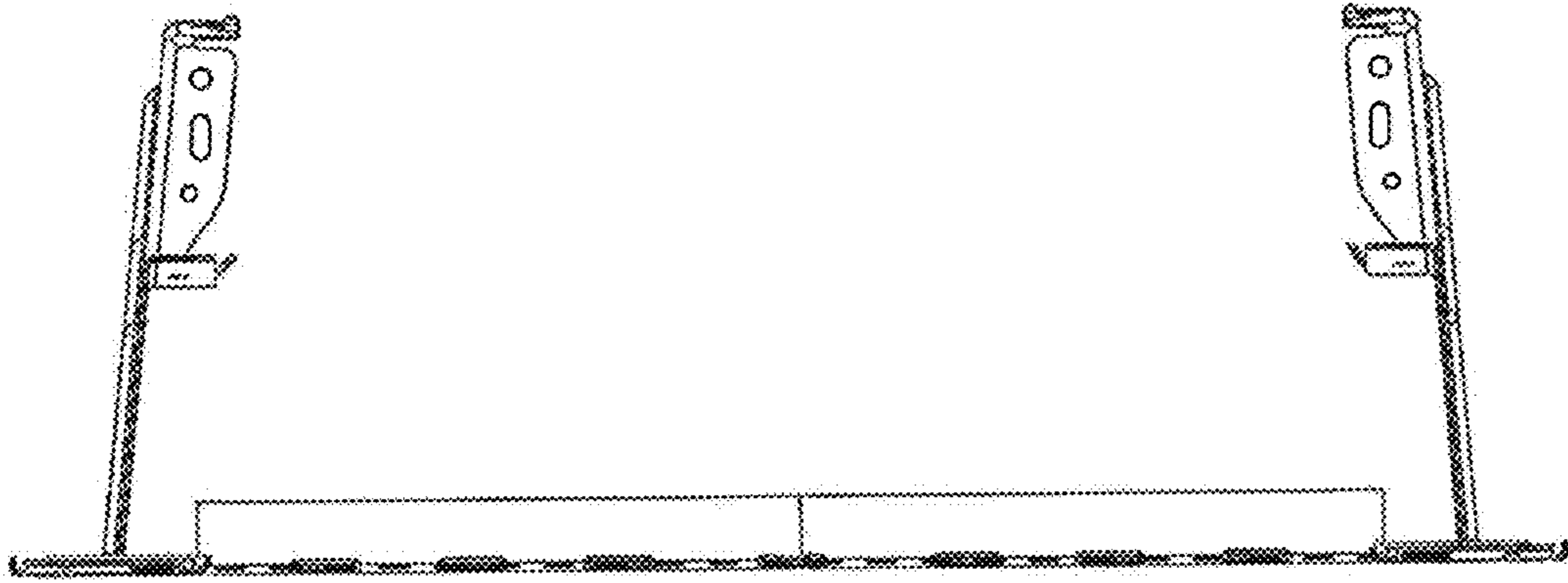


FIG. 3

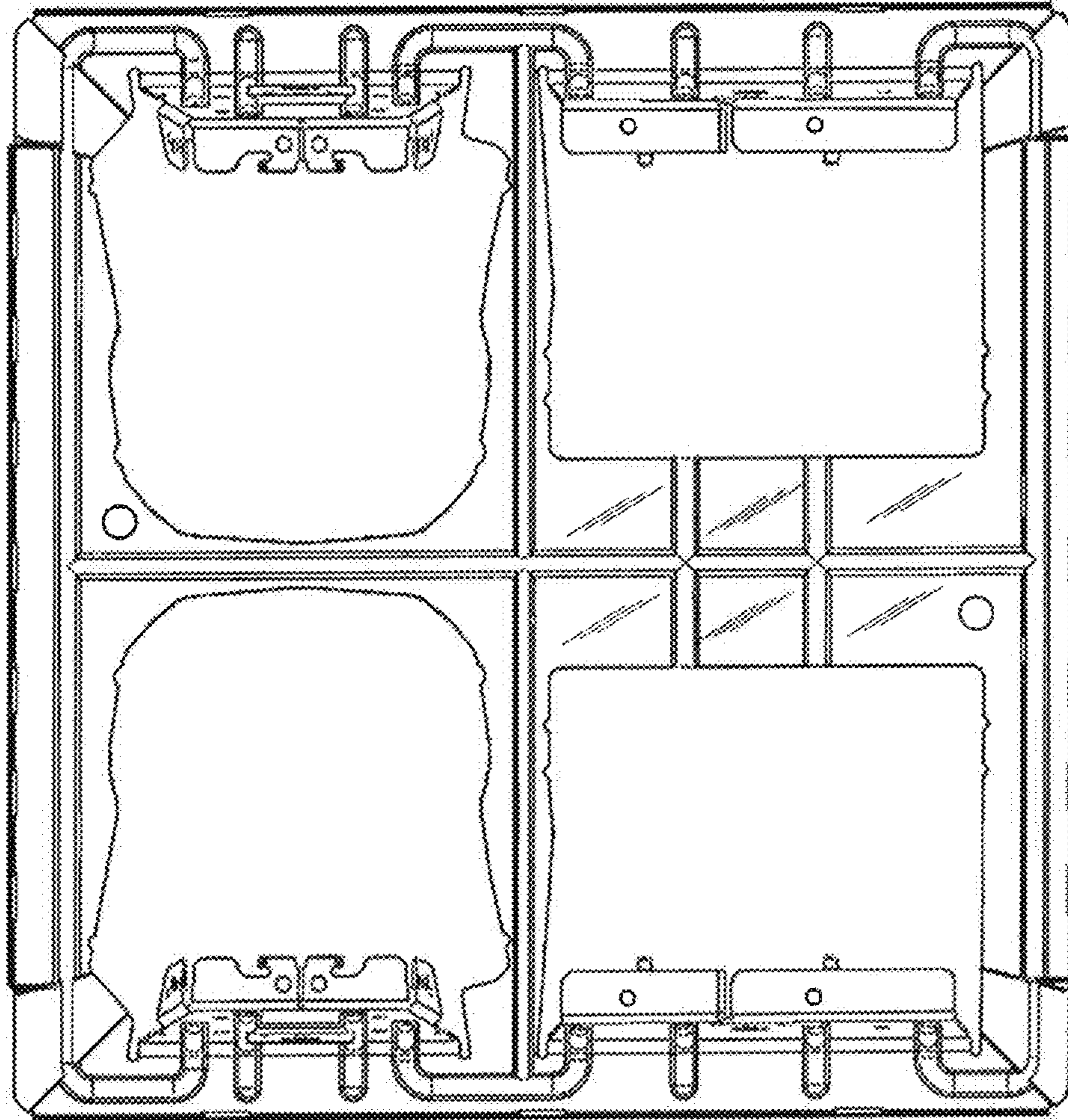


FIG. 4

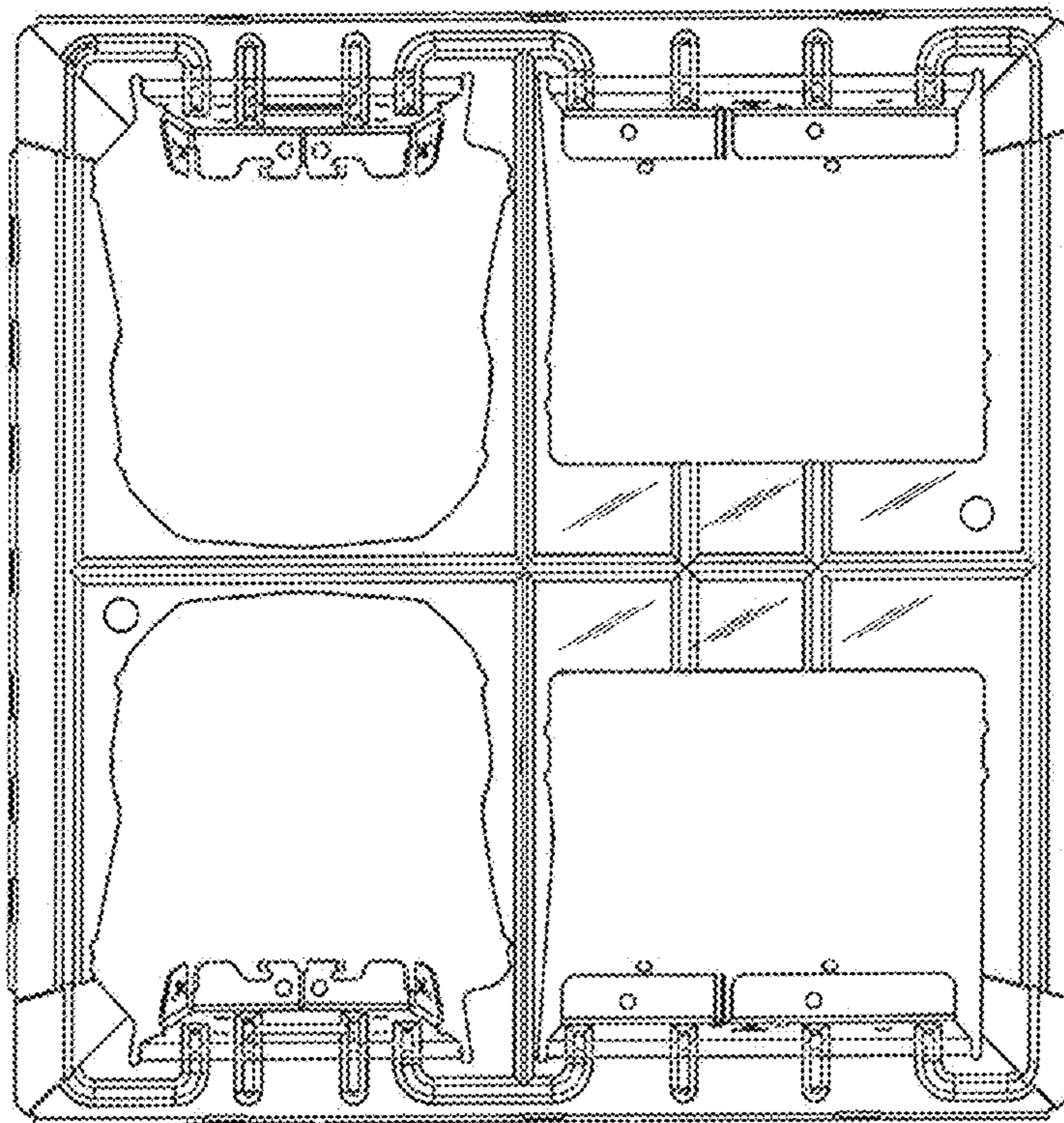


FIG. 5