



US00D801911S

(12) **United States Design Patent**
Stroud

(10) **Patent No.:** **US D801,911 S**

(45) **Date of Patent:** **** Nov. 7, 2017**

(54) **VEHICLE CONSOLE KIT**

(71) Applicant: **Remington Industries, Inc**, Ooltewah,
TN (US)

(72) Inventor: **Annette Marie Stroud**, Chattanooga,
TN (US)

(**) Term: **15 Years**

(21) Appl. No.: **29/582,637**

(22) Filed: **Oct. 28, 2016**

(51) **LOC (10) Cl.** **12-16**

(52) **U.S. Cl.**
USPC **D12/419**

(58) **Field of Classification Search**
USPC D12/415-420, 400, 195, 191, 106, 345,
D12/96, 99
CPC B60R 7/08
See application file for complete search history.

(56) **References Cited**

U.S. PATENT DOCUMENTS

D352,495 S	11/1994	Mawbinney et al.	
D363,698 S	10/1995	Smith	
D374,857 S	10/1996	Diem	
D375,480 S	11/1996	Smith	
D396,844 S	8/1998	Smith	
D461,161 S	8/2002	Hoy	
D490,044 S	5/2004	Smith	
D522,957 S *	6/2006	Miyashita	D12/415
D568,232 S *	5/2008	Motozaki	D12/421
D718,218 S *	11/2014	Tanaka	D12/424
D724,004 S	3/2015	McFarlin et al.	
D724,521 S *	3/2015	Ashley	D12/419
D725,583 S *	3/2015	Seki	D12/419
9,199,579 B2 *	12/2015	Gillis	B60R 7/04

D766,811 S *	9/2016	Shouno	D12/419
D766,812 S *	9/2016	Kabata	D12/423
D770,361 S *	11/2016	Chan	D12/419
D770,968 S *	11/2016	Willis	D12/415
D781,210 S *	3/2017	Itou	D12/419
D792,834 S *	7/2017	Ito	D12/419

* cited by examiner

Primary Examiner — Katrina A Betton

(74) *Attorney, Agent, or Firm* — Frank Marino

(57) **CLAIM**

The ornamental design for a vehicle console kit, as shown and described.

DESCRIPTION

FIG. 1 is a perspective view of the kit according to my new design in a first configuration;
 FIG. 2 is a front view of the kit of FIG. 1;
 FIG. 3 is a right side view of the kit of FIG. 1;
 FIG. 4 is a rear view of the kit of FIG. 1;
 FIG. 5 is a left side view of the kit of FIG. 1;
 FIG. 6 is a top view of the kit of FIG. 1;
 FIG. 7 is a bottom view of the kit of FIG. 1;
 FIG. 8 is a full side cross sectional view through the kit of FIG. 1;
 FIG. 9 is a perspective view of the kit according to my new design in a second configuration;
 FIG. 10 is a front view of the kit of FIG. 9;
 FIG. 11 is a right side view of the kit of FIG. 9;
 FIG. 12 is a rear view of the kit of FIG. 9;
 FIG. 13 is a left side view of the kit of FIG. 9;
 FIG. 14 is a top view of the kit of FIG. 9;
 FIG. 15 a bottom view of the kit of FIG. 9; and,
 FIG. 16 is a full side cross sectional view through the kit of FIG. 9.

1 Claim, 16 Drawing Sheets

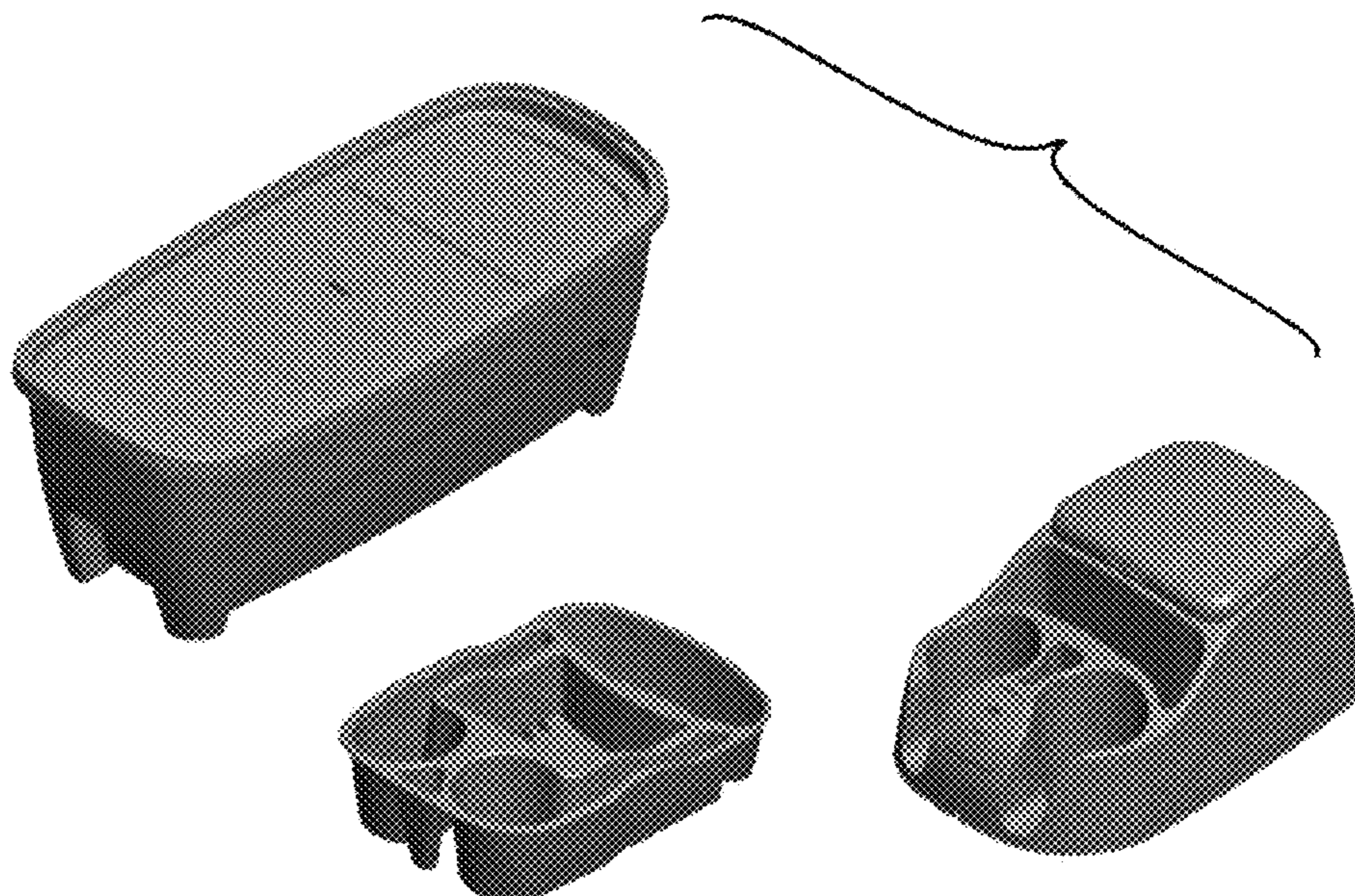


Figure 1

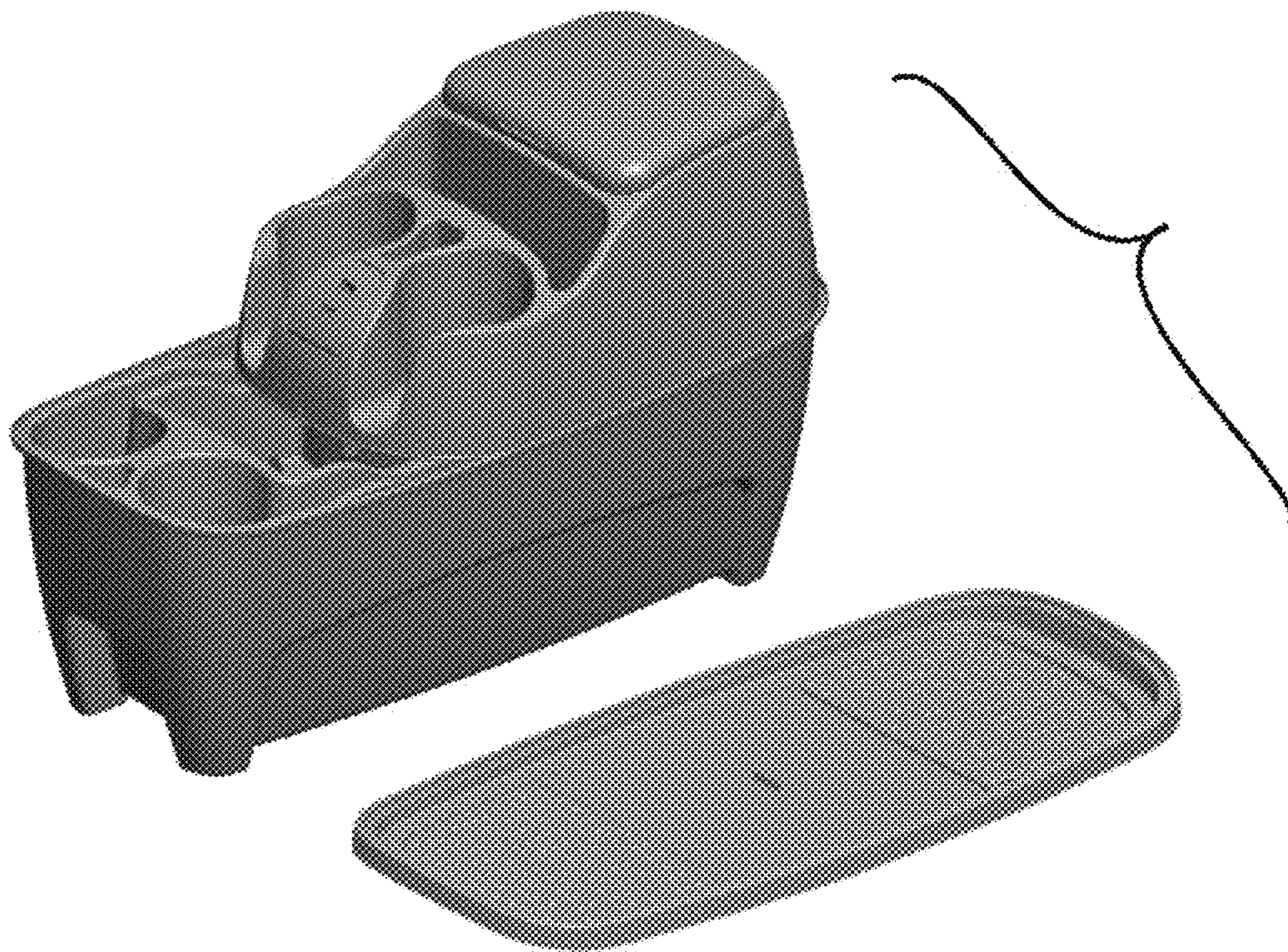


Figure 2



Figure 3

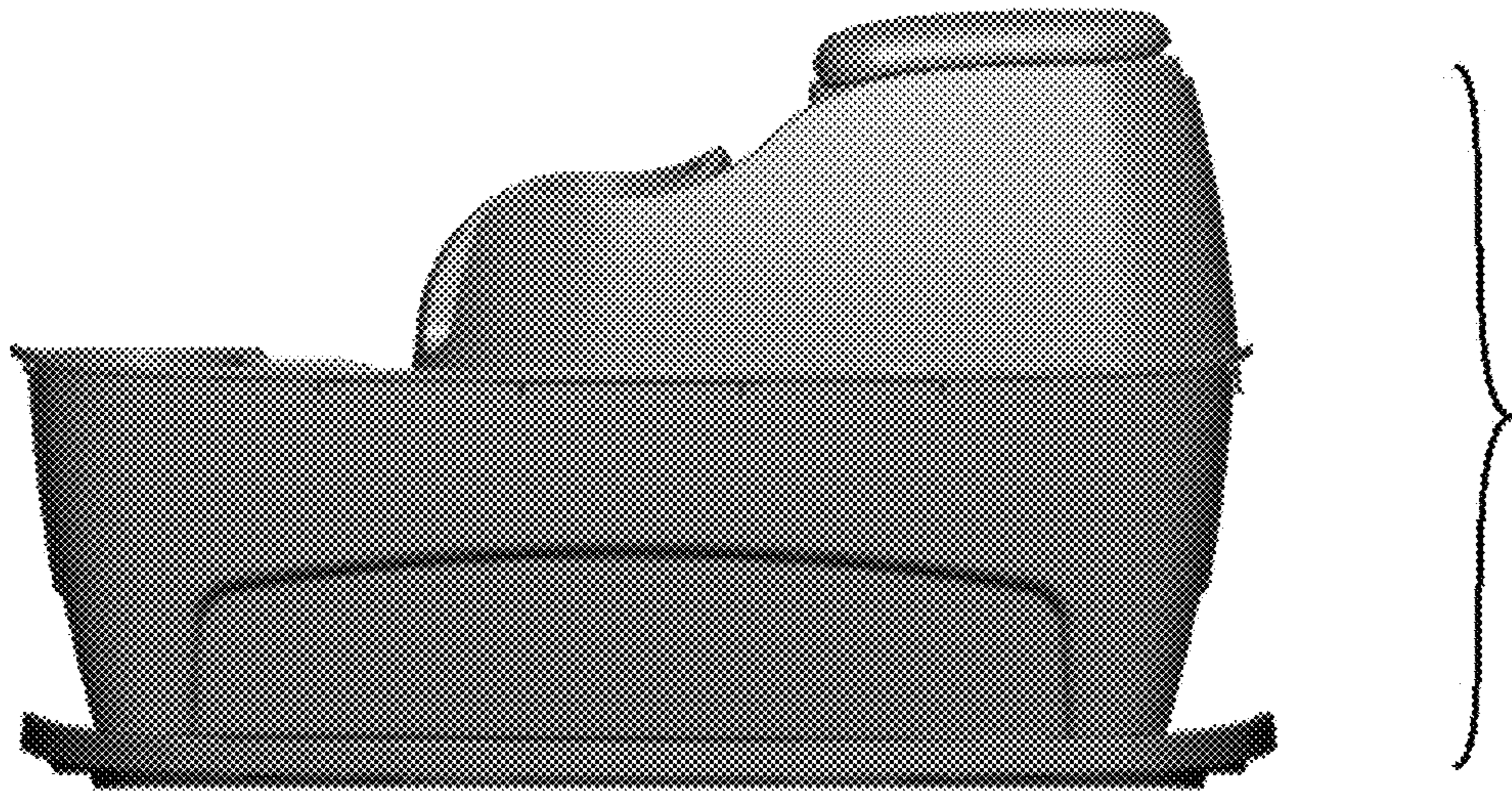


Figure 4

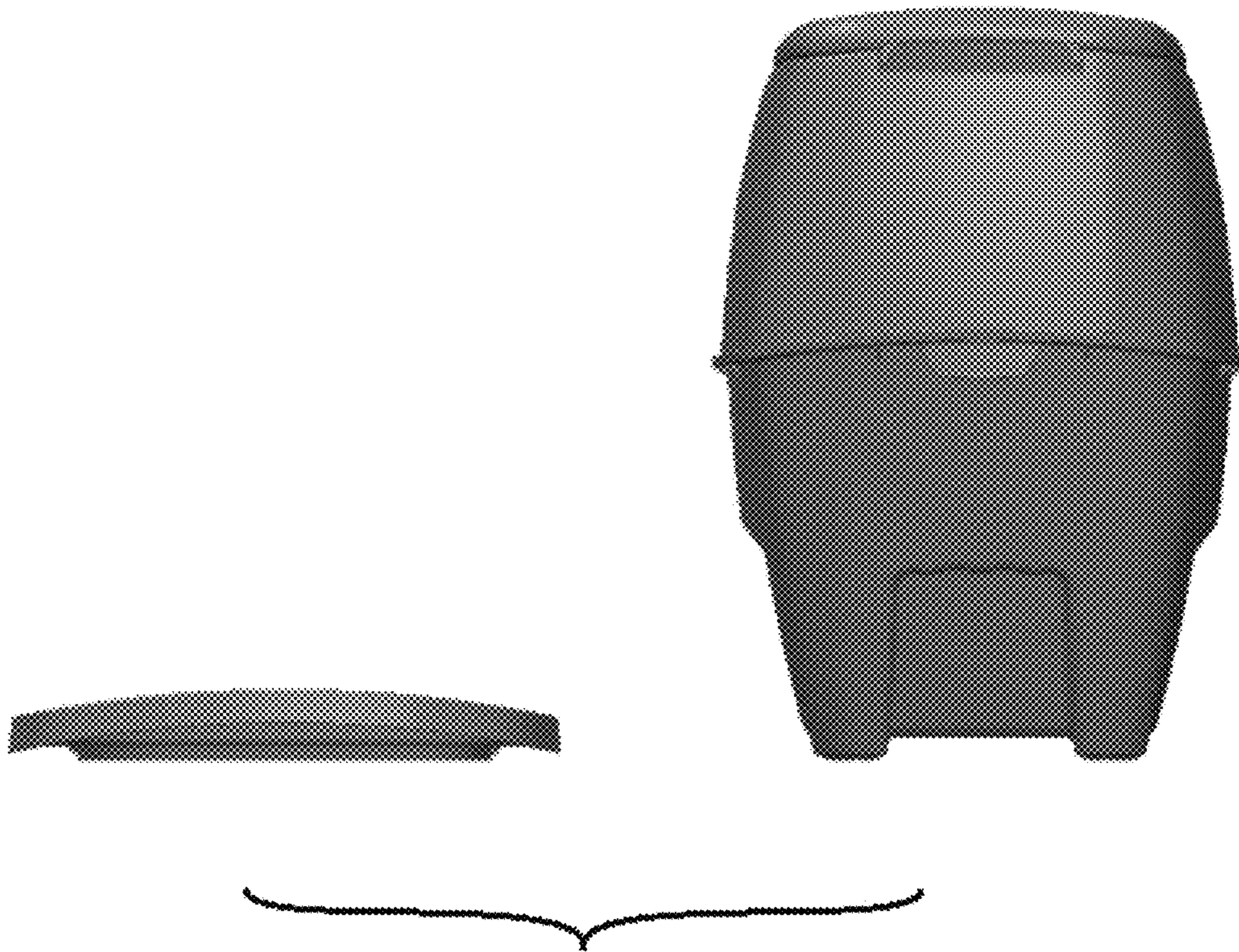


Figure 5

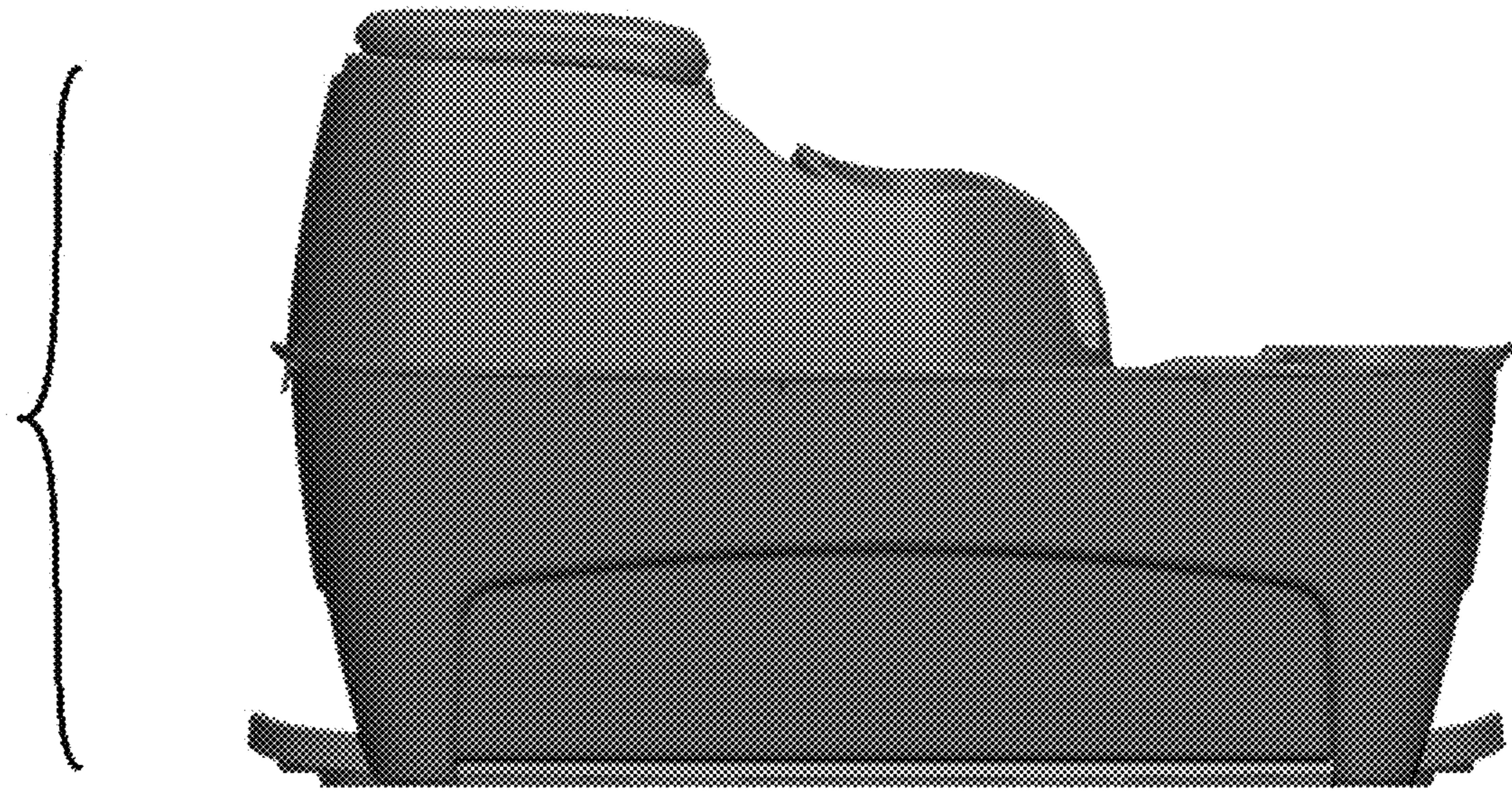


Figure 6



Figure 7



Figure 8

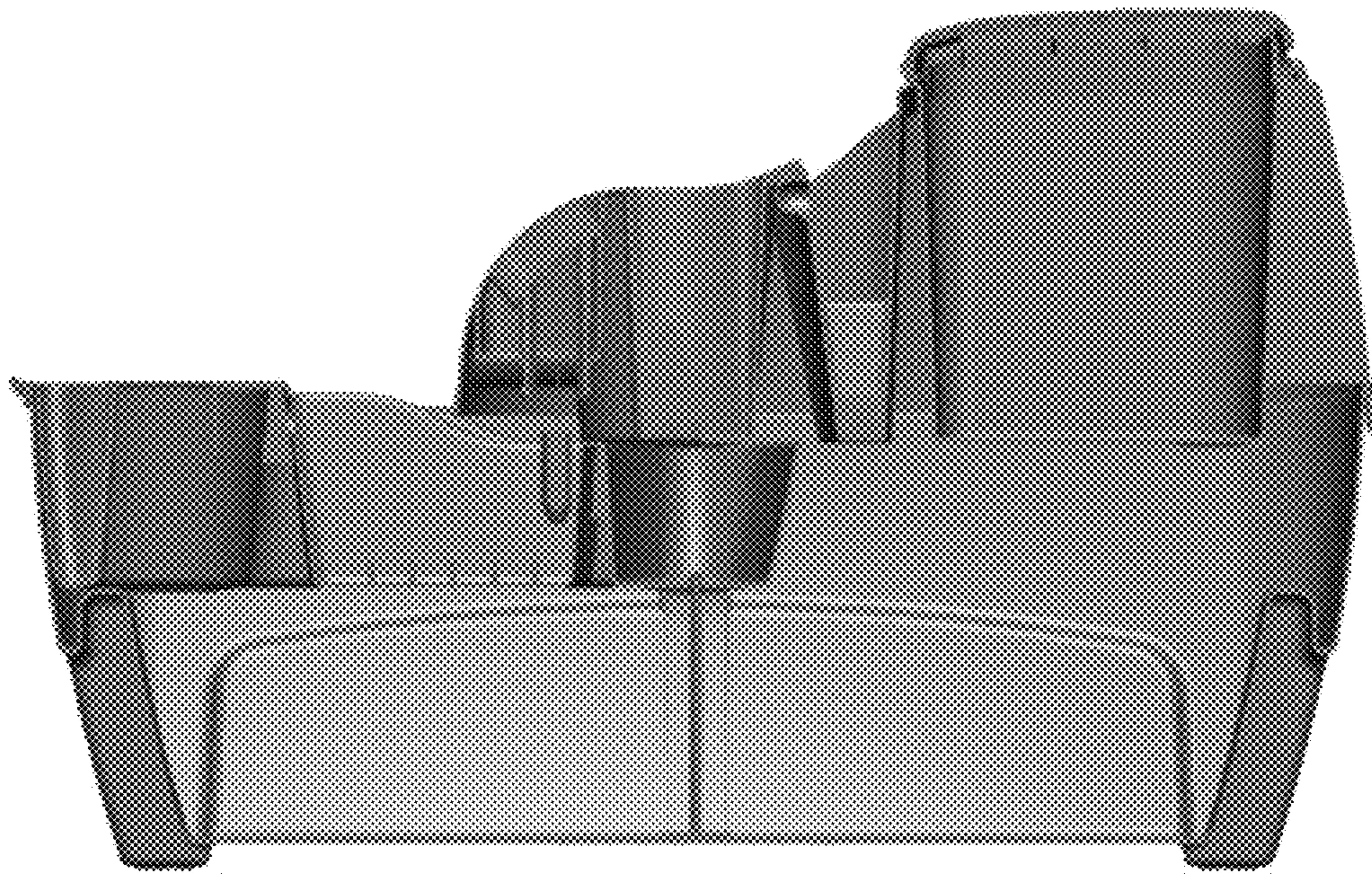


Figure 9

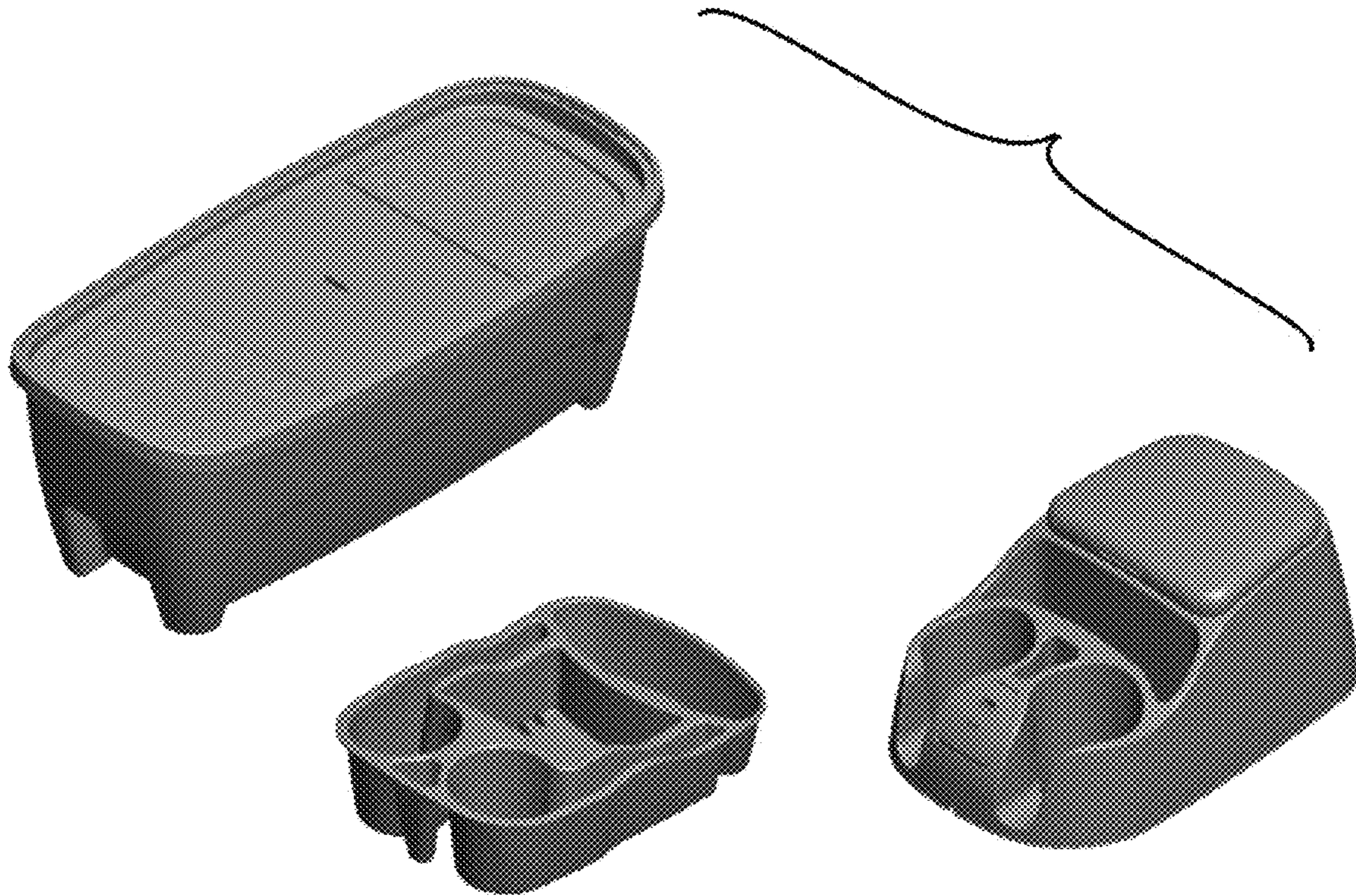


Figure 10

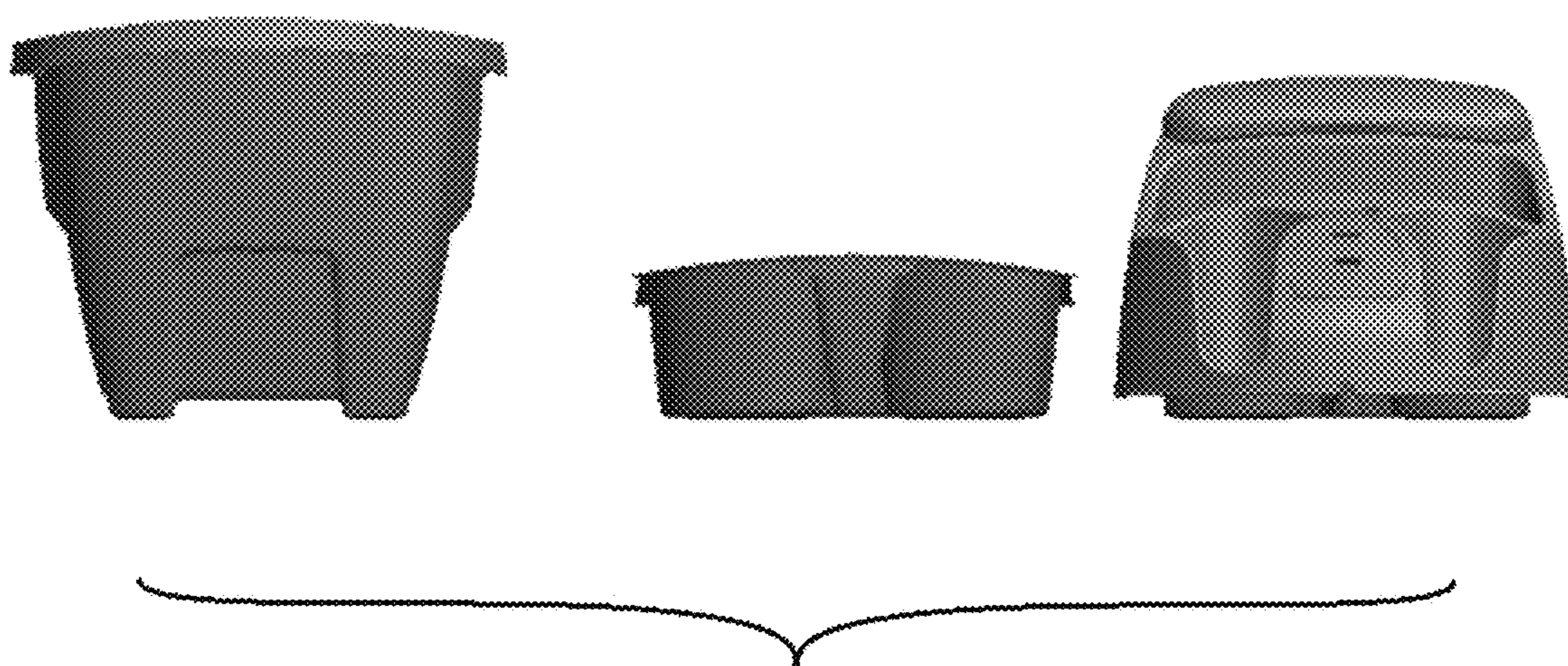


Figure 11

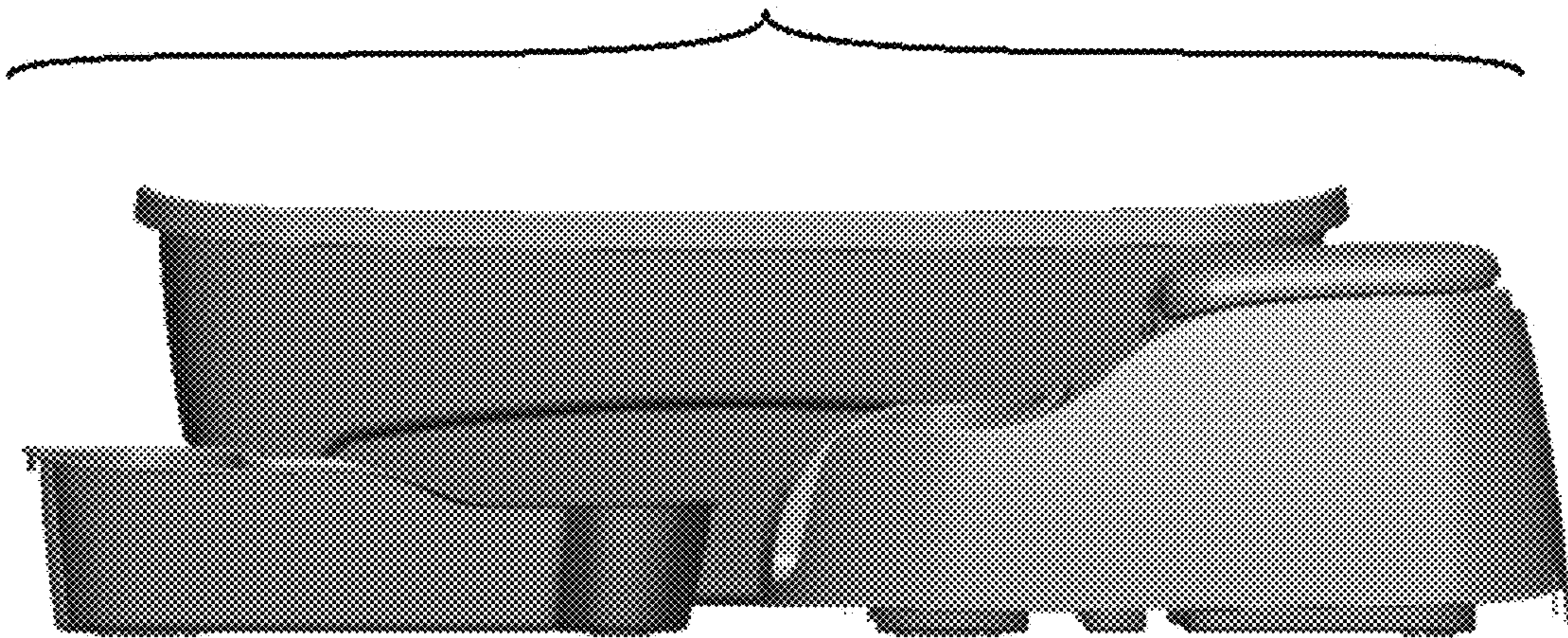


Figure 12

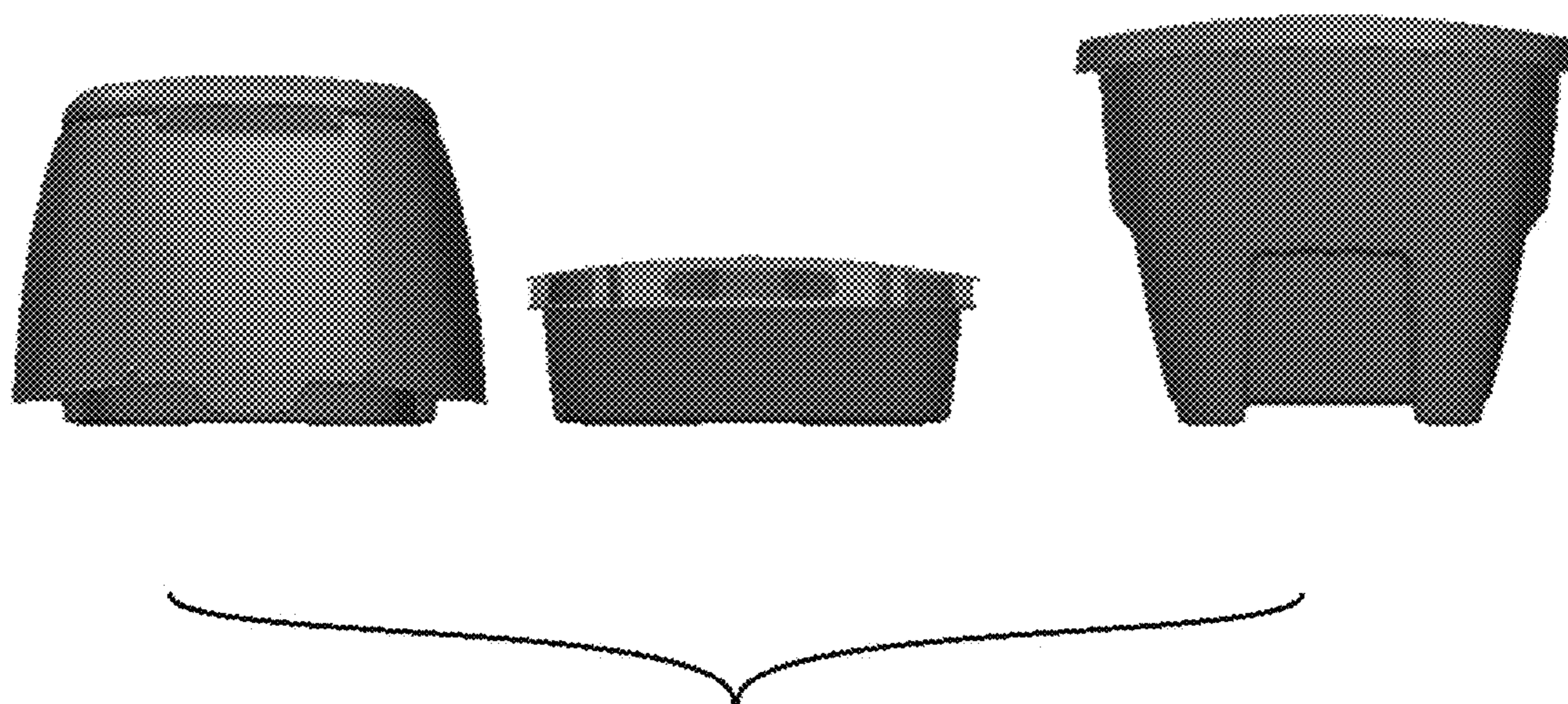


Figure 13

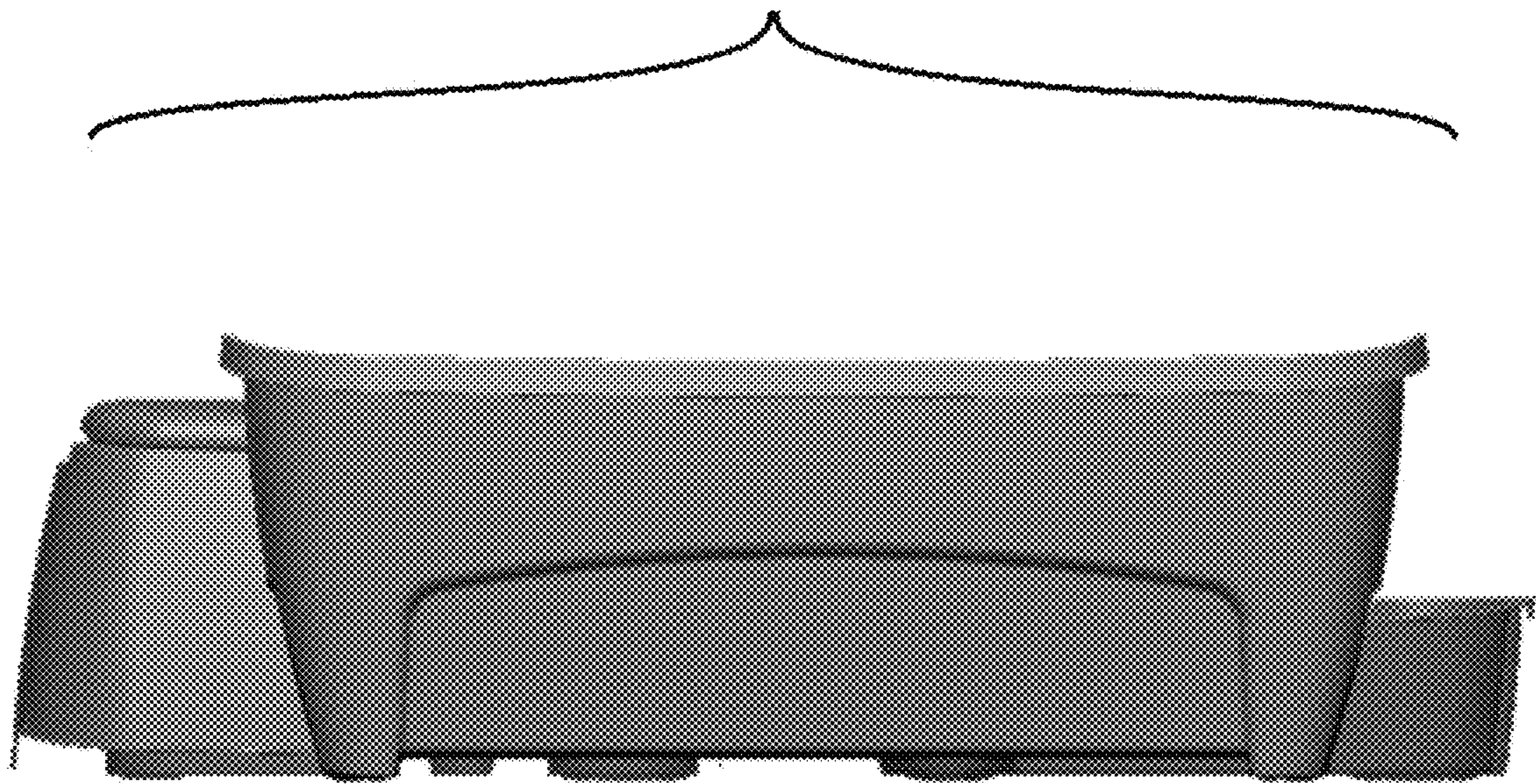


Figure 14



Figure 15

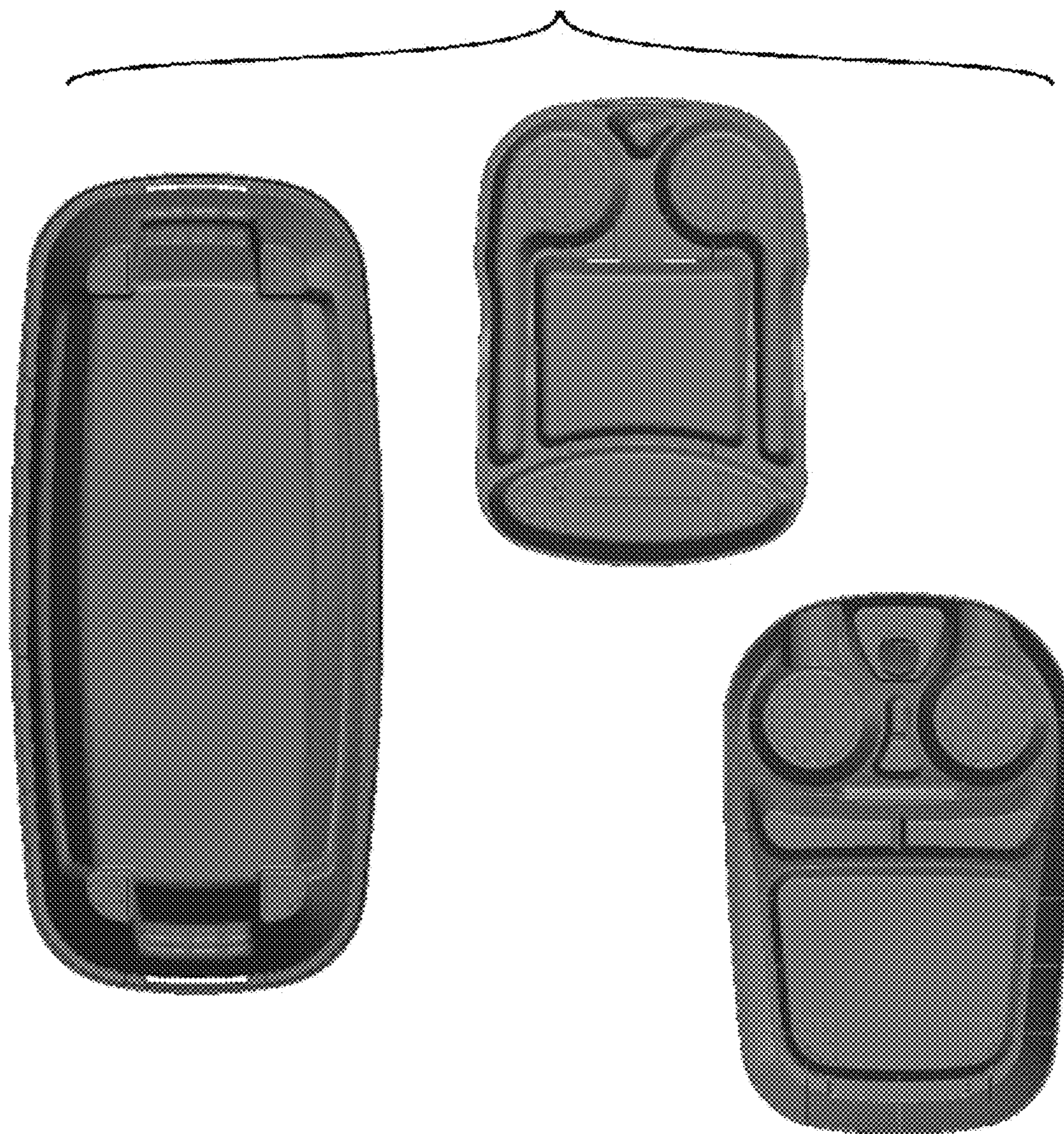


Figure 16

