



US00D801910S

(12) **United States Design Patent** (10) **Patent No.:** **US D801,910 S**  
**Salisbury** (45) **Date of Patent:** **\*\* Nov. 7, 2017**

(54) **TRAVEL CONTAINER**

(71) Applicant: **Birr Ltd.**, Reading (GB)

(72) Inventor: **Kevin Salisbury**, Reading (GB)

(73) Assignee: **Birr Ltd.**, Reading (GB)

(\*\*) Term: **15 Years**

(21) Appl. No.: **29/584,988**

(22) Filed: **Nov. 18, 2016**

(51) **LOC (10) Cl.** ..... **12-16**

(52) **U.S. Cl.**  
USPC ..... **D12/416**

(58) **Field of Classification Search**  
USPC ..... D12/415-420, 400, 195, 191, 106, 345,  
D12/96, 99; D6/611  
CPC ..... B60R 7/043  
See application file for complete search history.

(56) **References Cited**

**U.S. PATENT DOCUMENTS**

D417,062 S *	11/1999	Williams	.....	D2/860
D432,075 S *	10/2000	Hassett	.....	D12/416
D447,999 S *	9/2001	Thomson	.....	D12/416
D497,874 S *	11/2004	Fialla-Dori	.....	D12/416
D502,809 S *	3/2005	Davis	.....	D12/416
D601,484 S *	10/2009	Alfonso	.....	D12/133
7,677,662 B2 *	3/2010	Thompson	.....	A47C 31/11 297/188.01
D632,242 S *	2/2011	Currie	.....	D12/416

D632,510 S *	2/2011	Johnson	.....	D12/416
9,428,115 B2 *	8/2016	Seifert	.....	B60R 7/005
2009/0039128 A1 *	2/2009	Damico	.....	B60R 9/00 224/572

\* cited by examiner

*Primary Examiner* — Katrina A Betton

(74) *Attorney, Agent, or Firm* — Myers Wolin, LLC

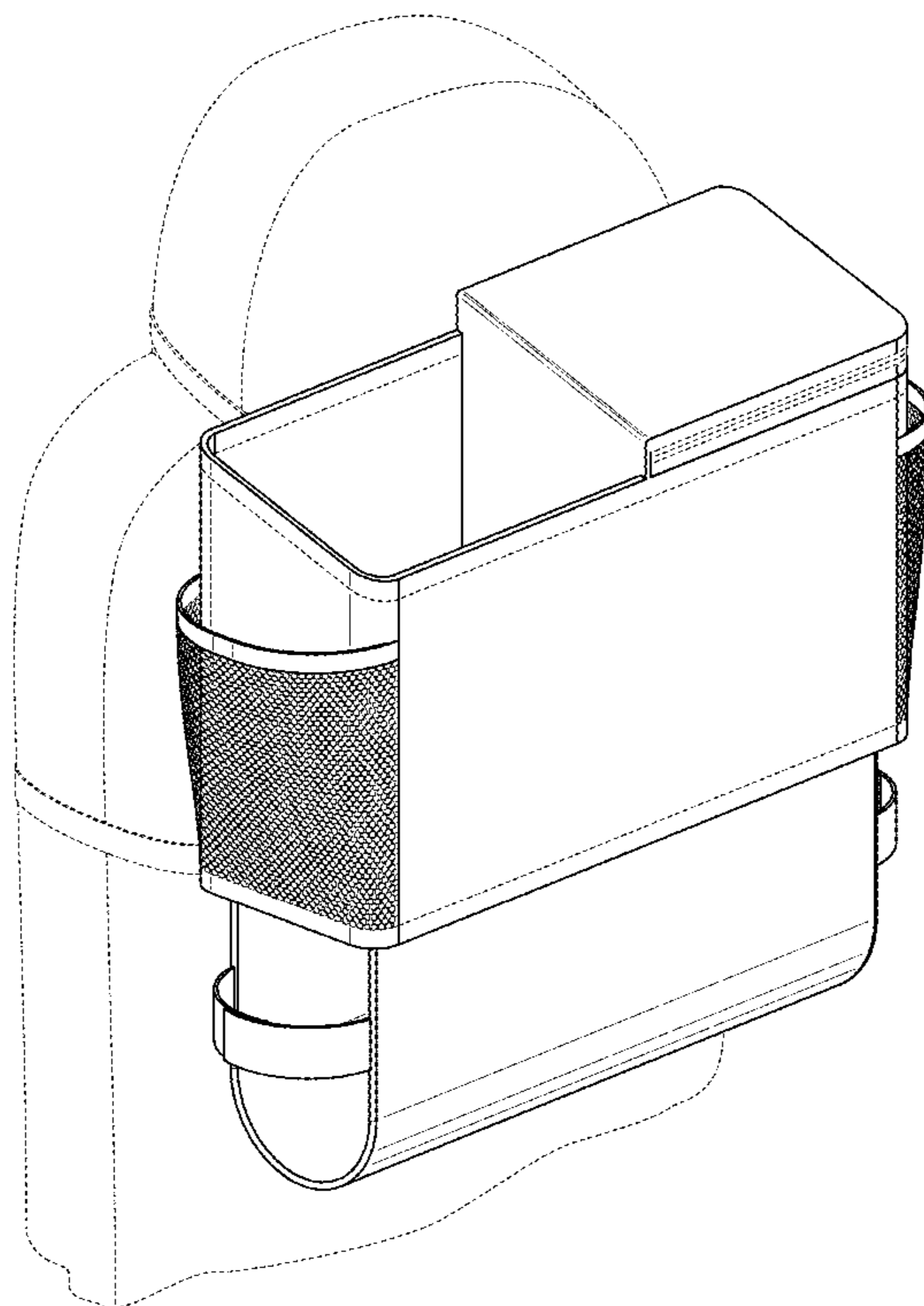
(57) **CLAIM**

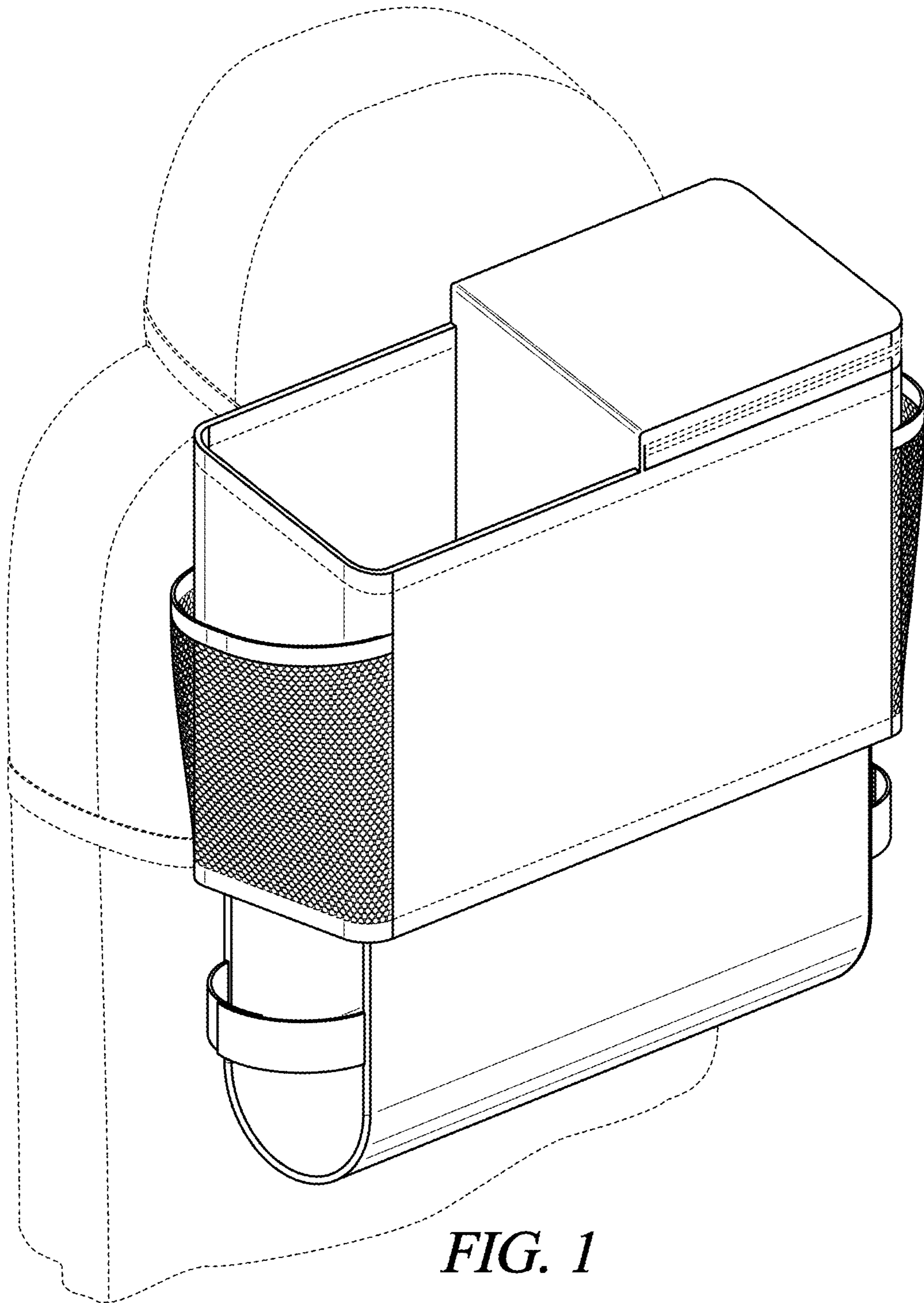
The ornamental design for a travel container, as shown and described.

**DESCRIPTION**

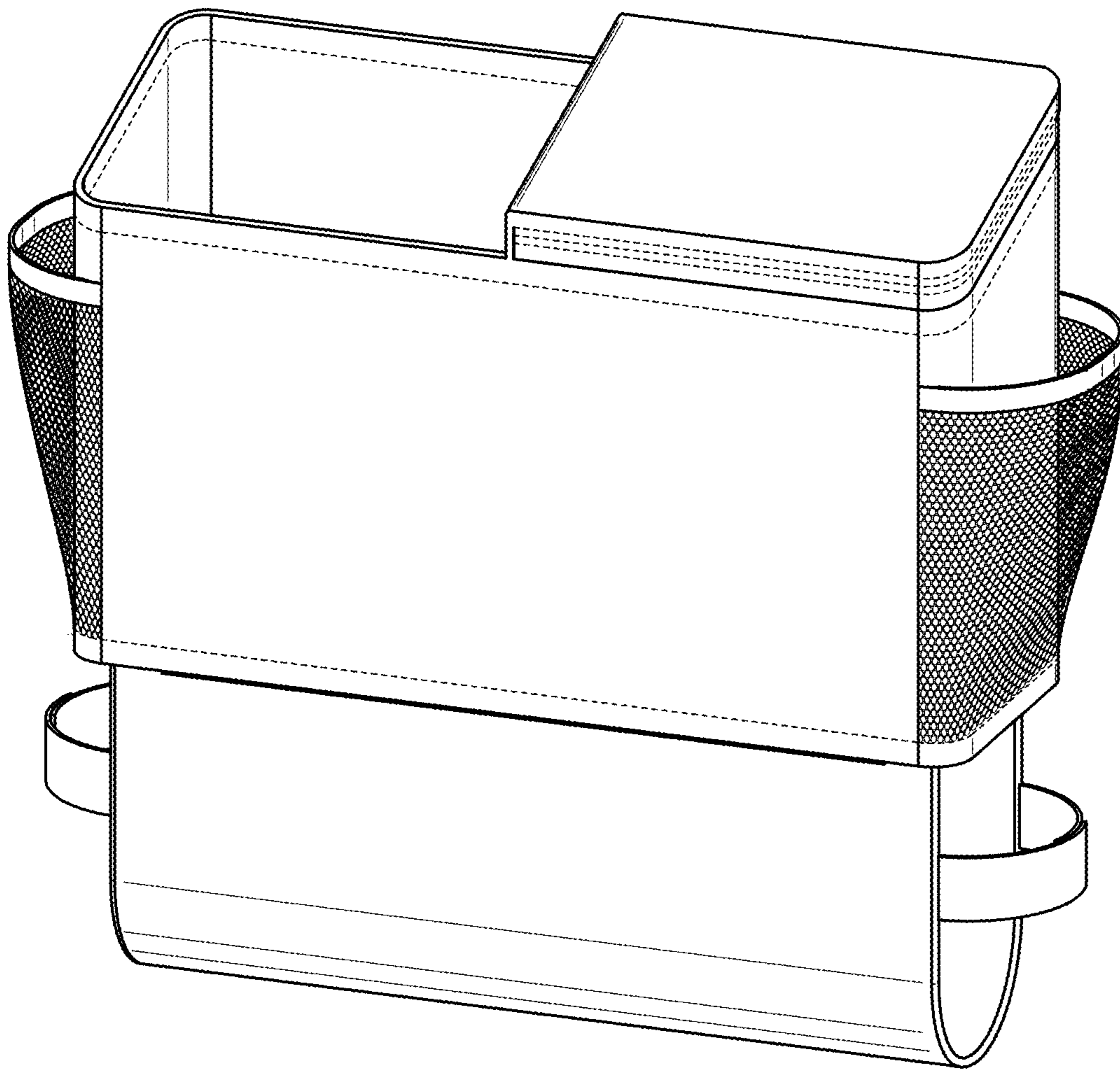
FIG. 1 is a front perspective view from the left side of a travel container showing my new design;  
 FIG. 2 is a front perspective view from the right side thereof;  
 FIG. 3 is a front perspective view from the left side thereof and shown in a partial open condition;  
 FIG. 4 illustrates a partial cutaway of a portion of FIG. 3;  
 FIG. 5 is a perspective view from the lower front right side thereof;  
 FIG. 6 is a perspective view from the lower front right side thereof illustrating a use condition;  
 FIG. 7 is a top view thereof;  
 FIG. 8 is a front elevation view thereof;  
 FIG. 9 is a bottom view thereof;  
 FIG. 10 is a left side elevation view thereof;  
 FIG. 11 is a right side elevation view thereof; and,  
 FIG. 12 is a rear elevation view thereof.  
 The broken lines depict a seat and portions of the article that form no part of the claimed design.

**1 Claim, 7 Drawing Sheets**

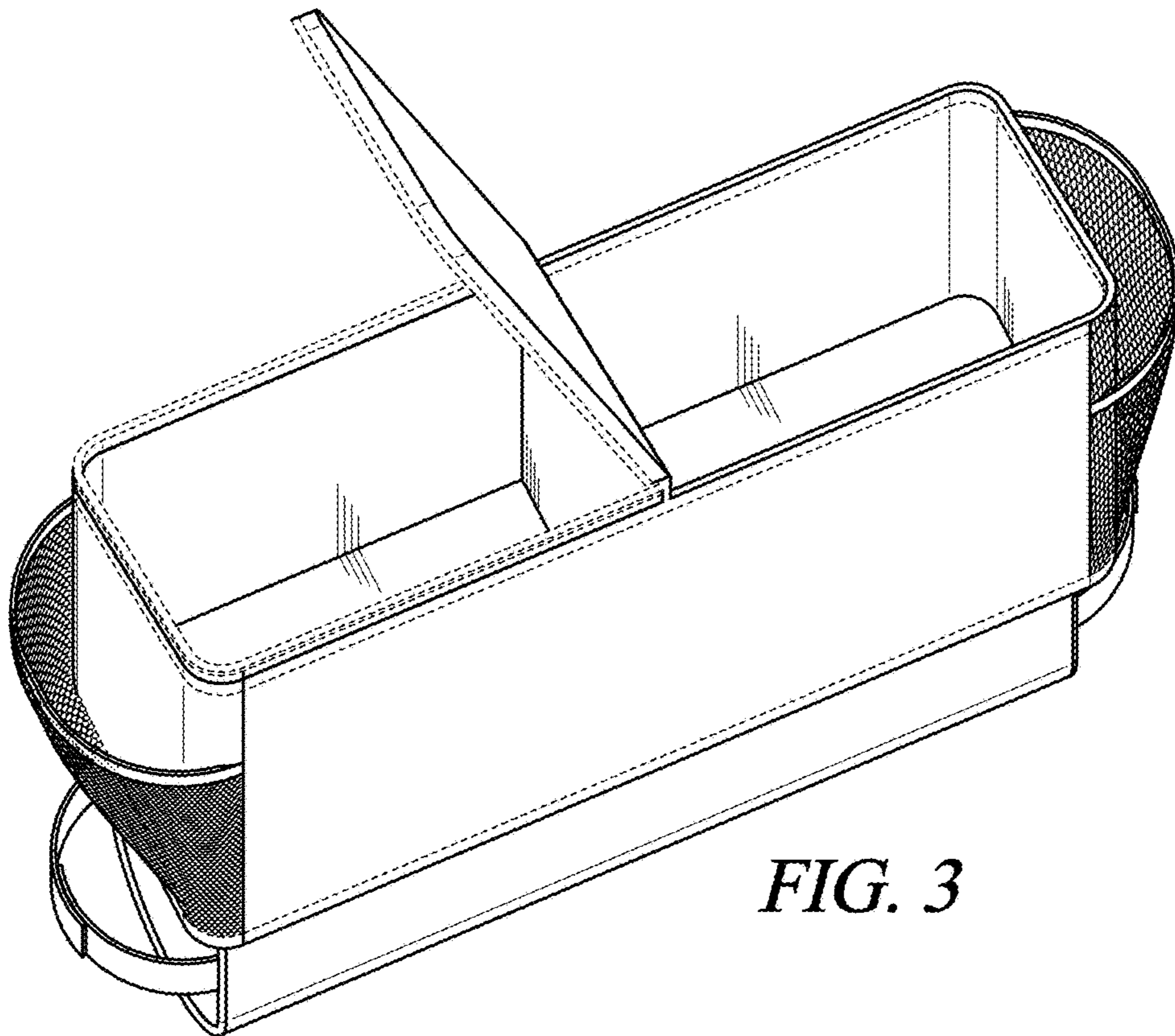




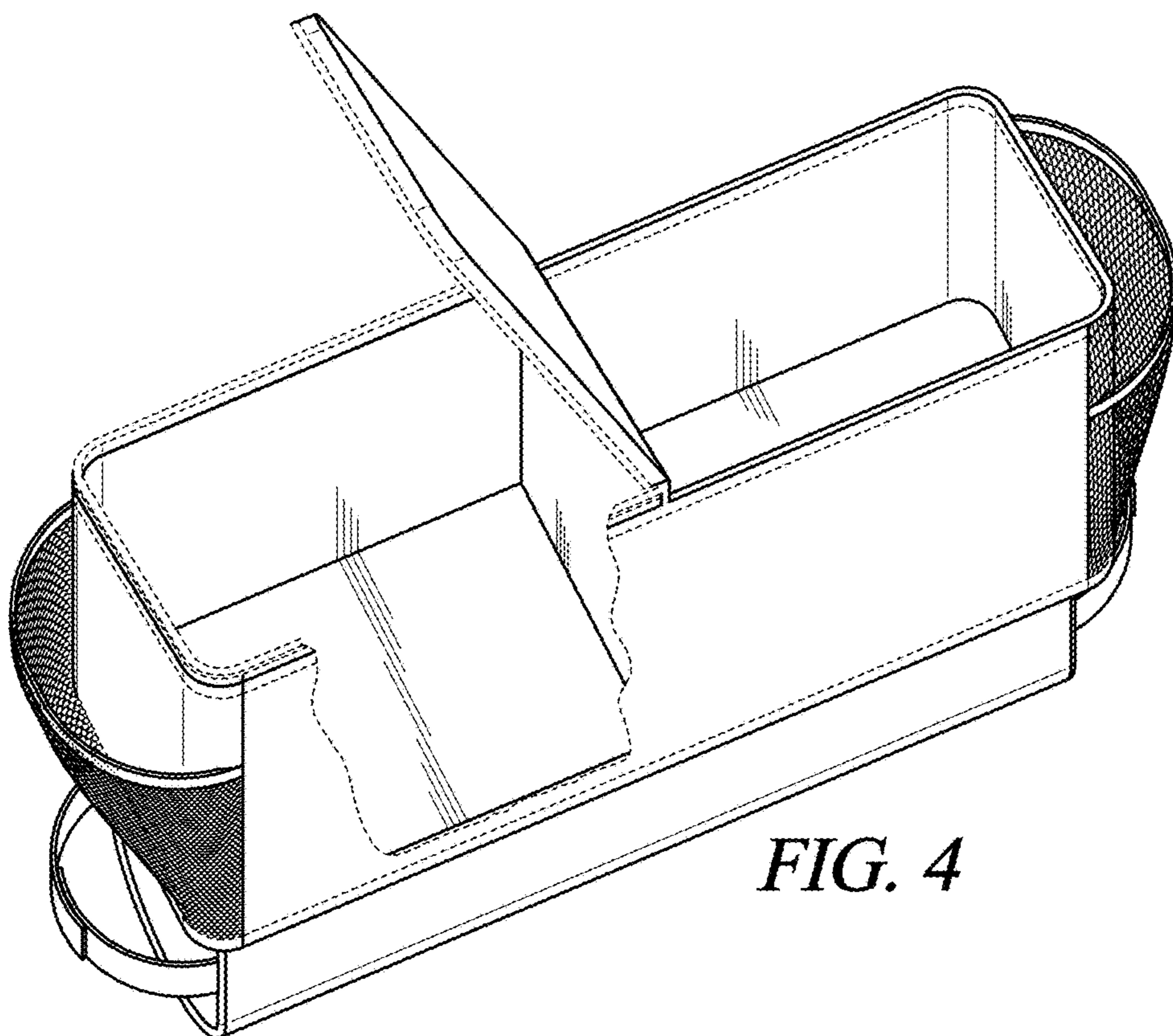
*FIG. 1*



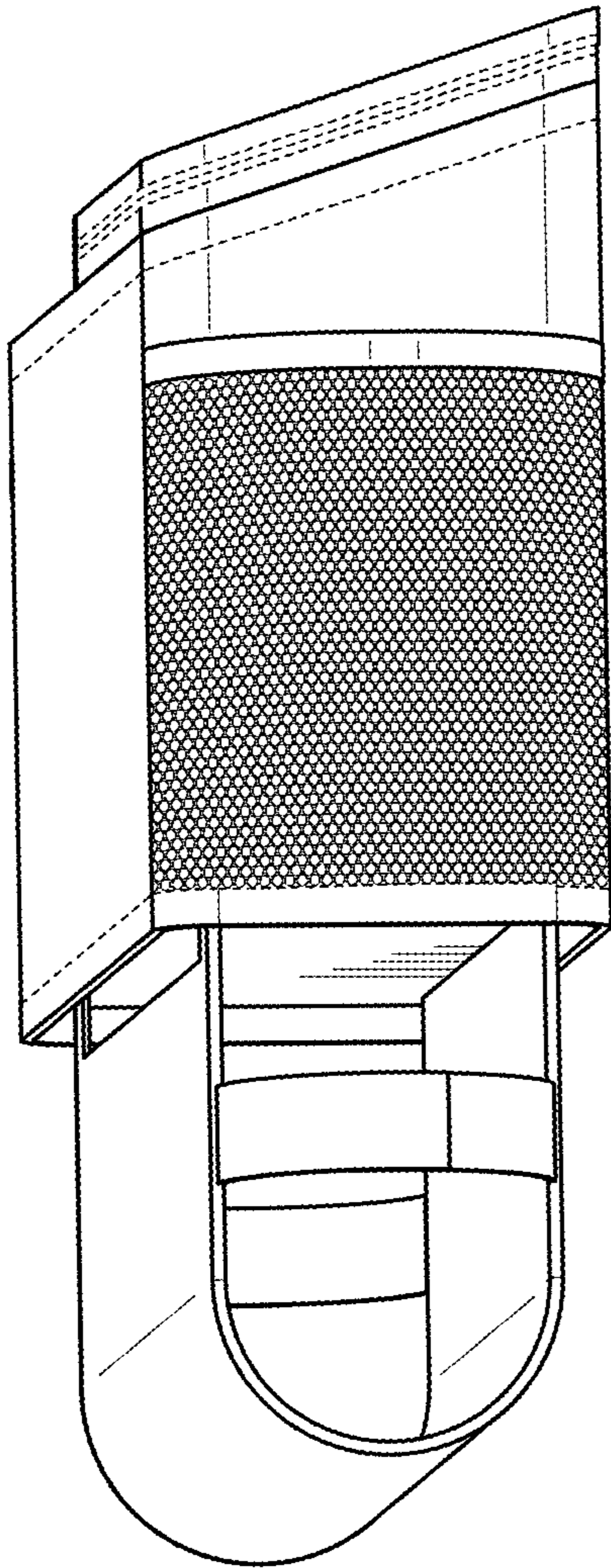
*FIG. 2*



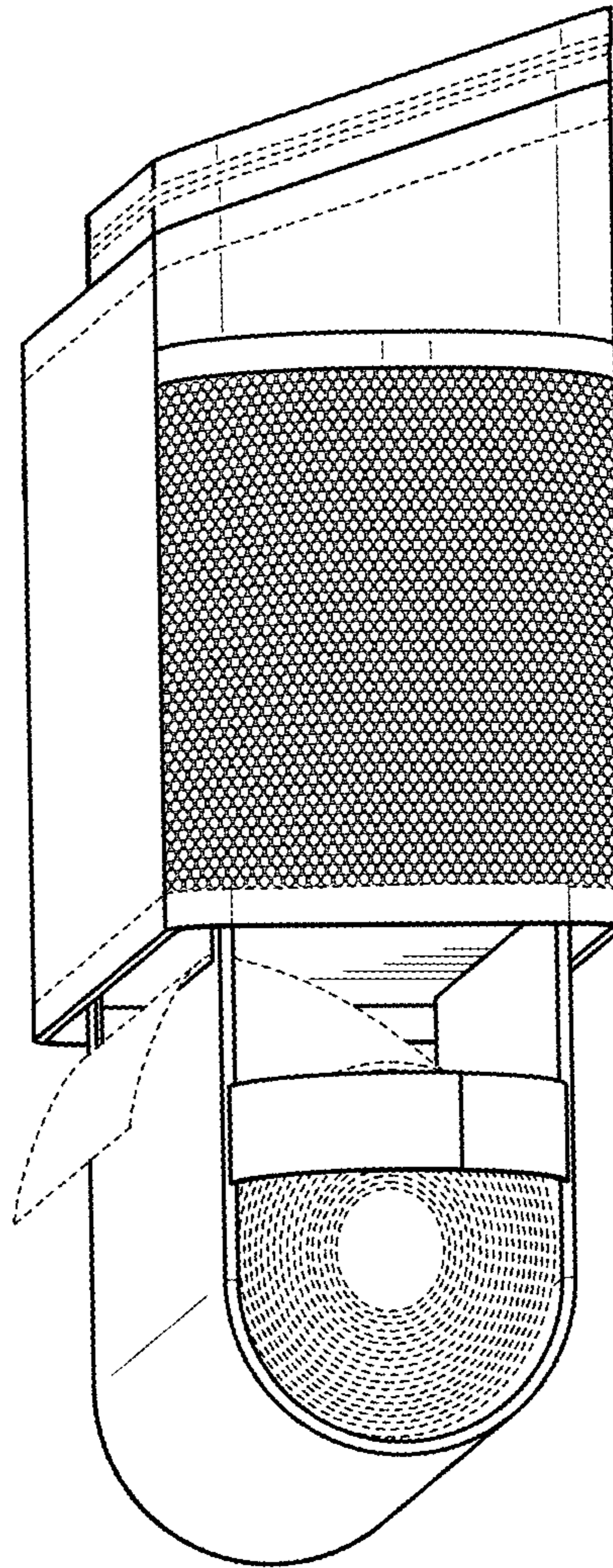
*FIG. 3*



*FIG. 4*

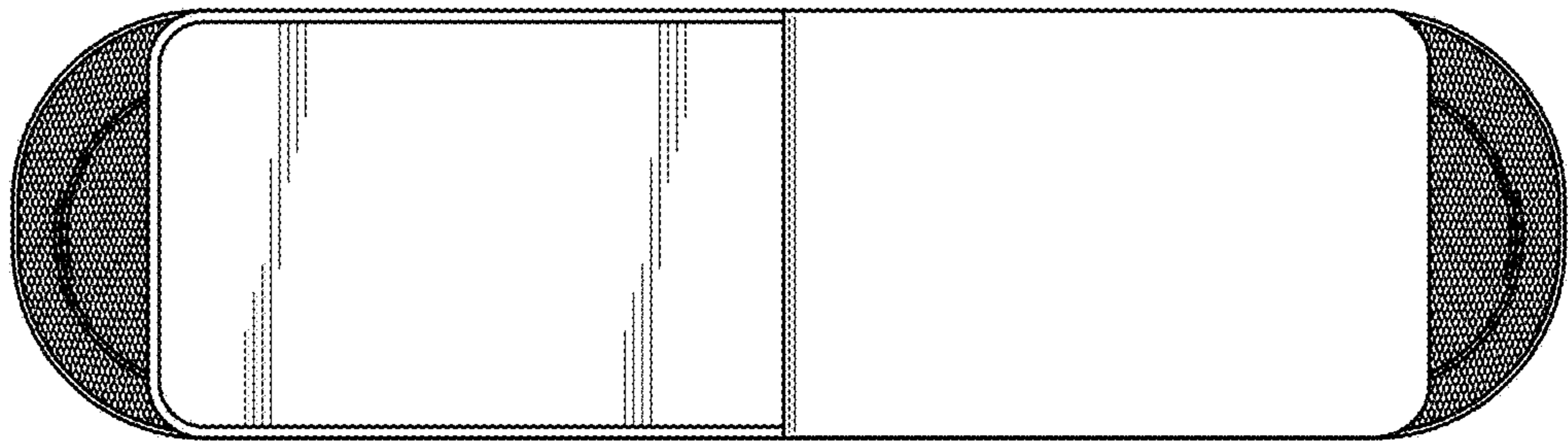


*FIG. 5*

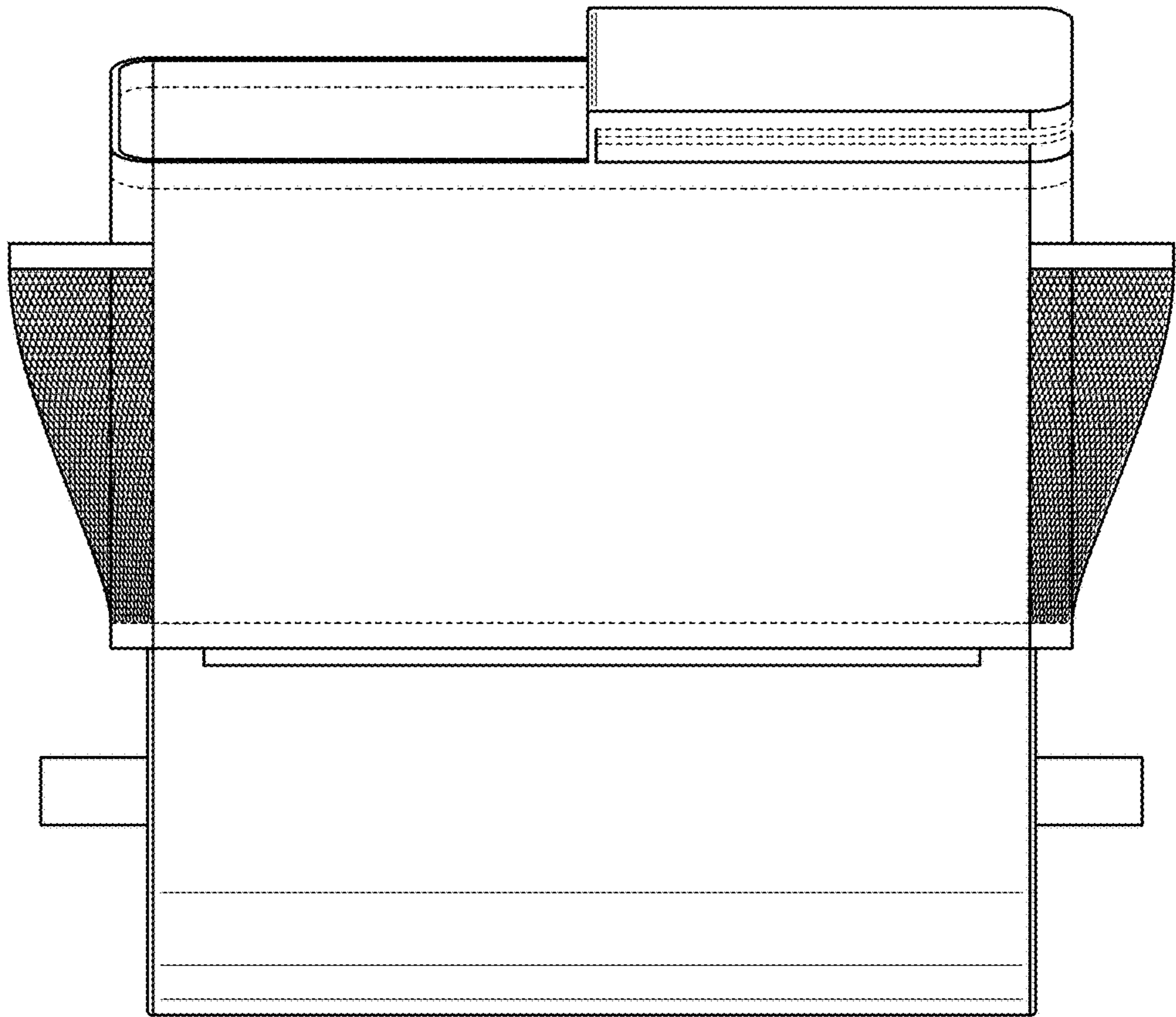


*FIG. 6*

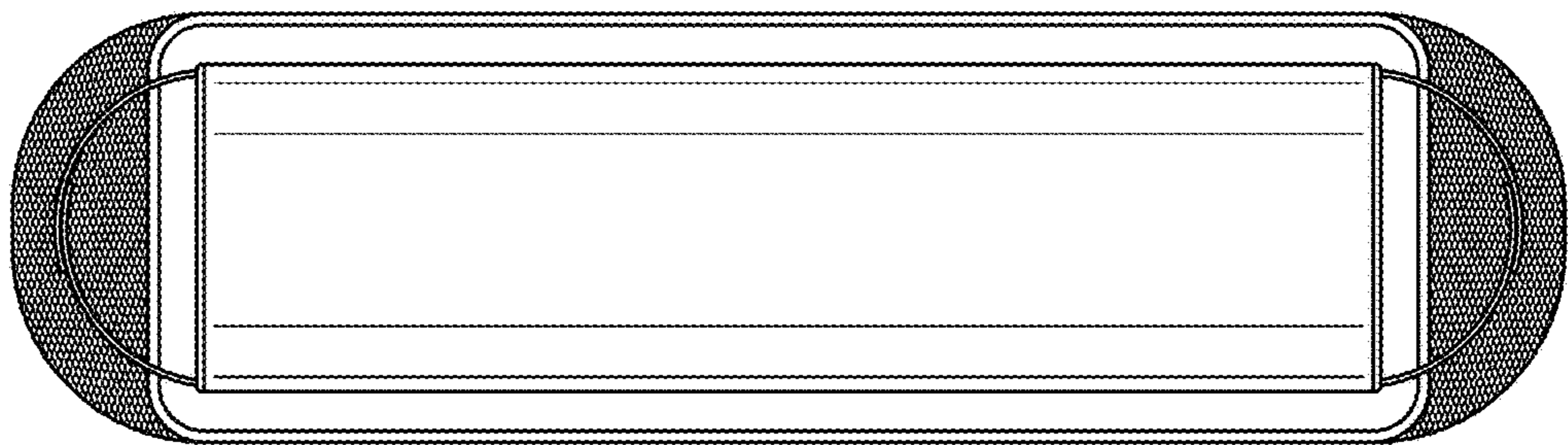
*FIG. 7*

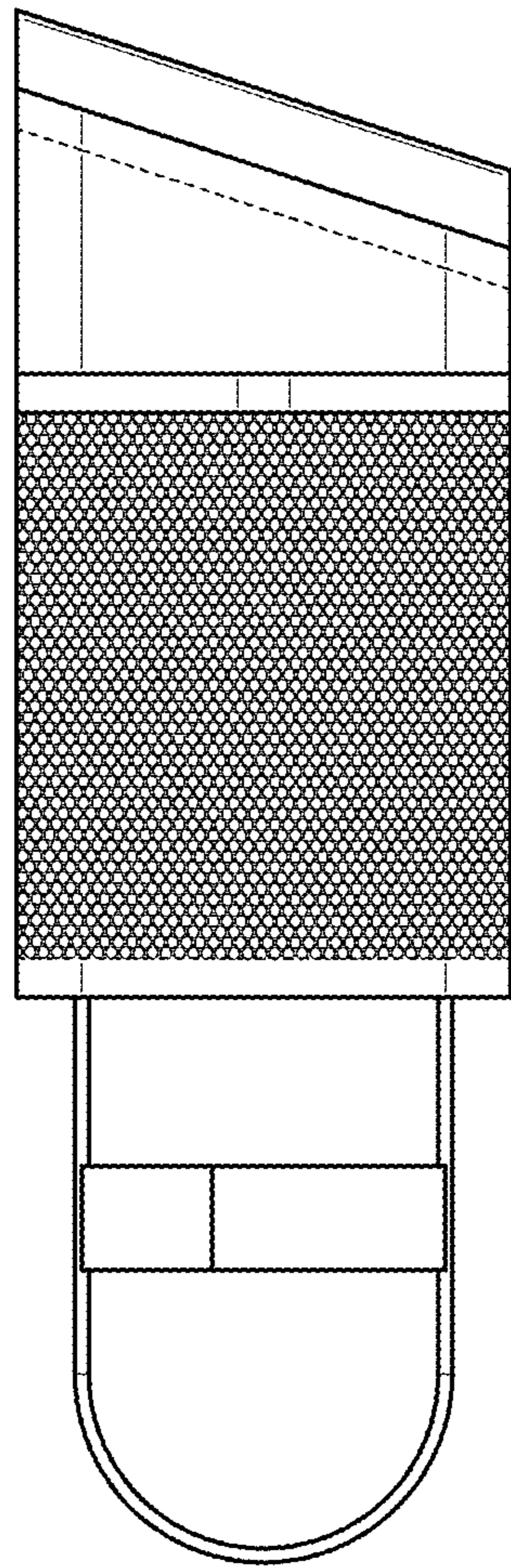


*FIG. 8*

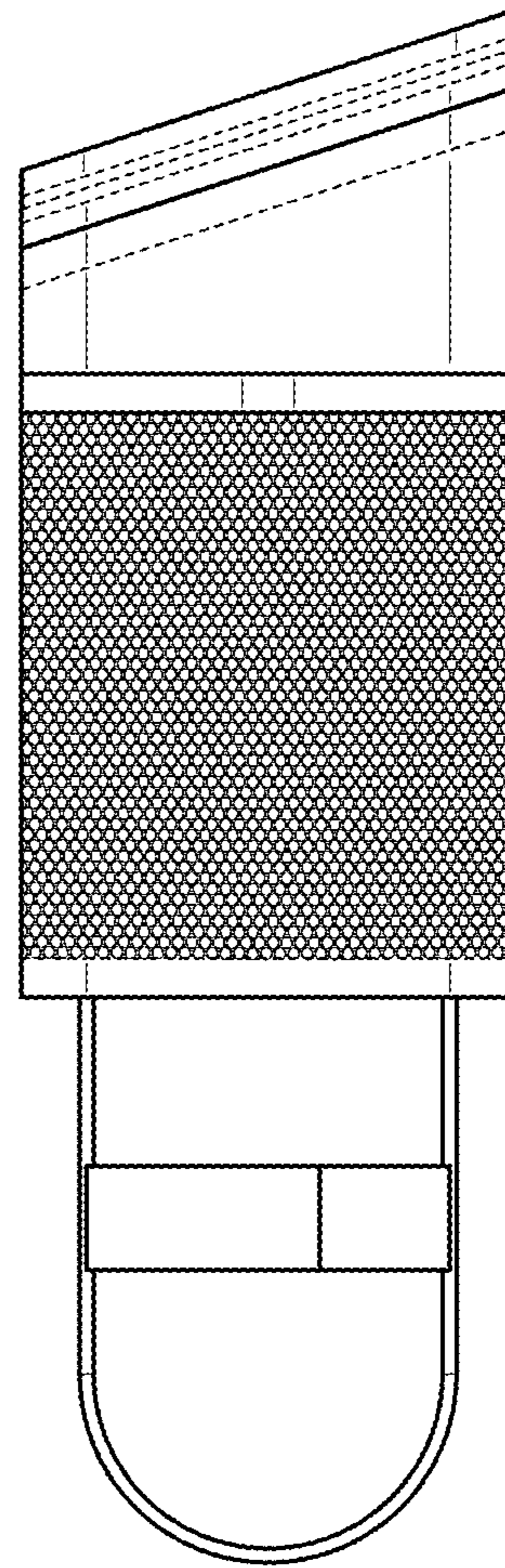


*FIG. 9*

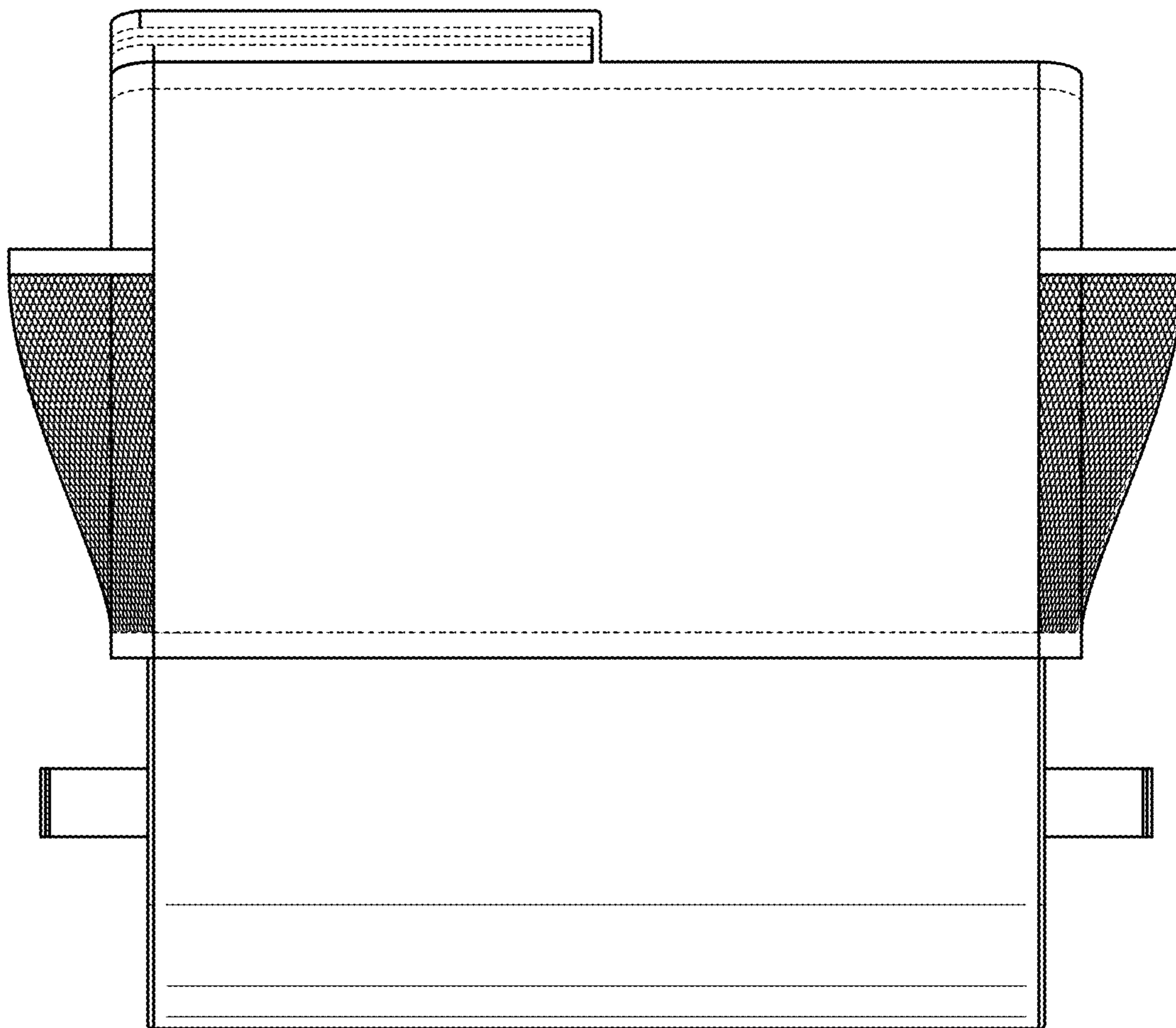




*FIG. 10*



*FIG. 11*



*FIG. 12*