



US00D801908S

(12) **United States Design Patent**  
**De Los Santos**

(10) **Patent No.:** **US D801,908 S**

(45) **Date of Patent:** **\*\* Nov. 7, 2017**

(54) **EXTENDED CAR FLAG SUPPORT**

(71) Applicant: **Chris De Los Santos**, Arcola, TX (US)

(72) Inventor: **Chris De Los Santos**, Arcola, TX (US)

(\*\*) Term: **15 Years**

(21) Appl. No.: **29/578,893**

(22) Filed: **Sep. 26, 2016**

(51) **LOC (10) Cl.** ..... **12-06**

(52) **U.S. Cl.**

USPC ..... **D12/223**; D8/354

(58) **Field of Classification Search**

USPC ..... D12/223, 114, 604, 221, 415; D8/71,  
D8/354, 356, 373, 380, 382, 383;  
D6/518, 521

CPC ..... G09F 17/00; G09F 2017/0066; G09F  
2017/0075; G09F 21/00; G09F 21/04;  
G09F 2007/1865

See application file for complete search history.

(56) **References Cited**

**U.S. PATENT DOCUMENTS**

3,715,821	A *	2/1973	Hawes	.....	G09F 21/04 116/173
3,762,360	A	10/1973	Hawes		
D238,461	S *	1/1976	Bauman	.....	D6/521
D251,018	S *	2/1979	Lockwood	.....	D25/68
D253,265	S *	10/1979	Miller	.....	D6/521
D280,829	S *	10/1985	Rubel	.....	D16/239
D313,214	S *	12/1990	Phillips	.....	D10/110

4,976,410	A	12/1990	Tomaiuolo		
4,986,209	A	1/1991	Spica		
D318,536	S *	7/1991	Jones	.....	D26/138
5,233,938	A *	8/1993	Lalo	.....	B60R 13/005 116/173
D398,028	S *	9/1998	Bennett	.....	D10/109.1
D475,677	S	6/2003	Zucker		
D476,915	S *	7/2003	Blalock	.....	D10/109.1
7,069,680	B1 *	7/2006	Crawford	.....	G09F 7/18 24/502
8,613,258	B1	12/2013	Barry, IV et al.		
D729,613	S *	5/2015	Biddle	.....	D8/354
D789,272	S *	6/2017	Leptien	.....	D12/223
2003/0098403	A1 *	5/2003	Fox	.....	G09F 17/00 248/538

\* cited by examiner

*Primary Examiner* — Sandra Snapp

*Assistant Examiner* — Ieisha Price

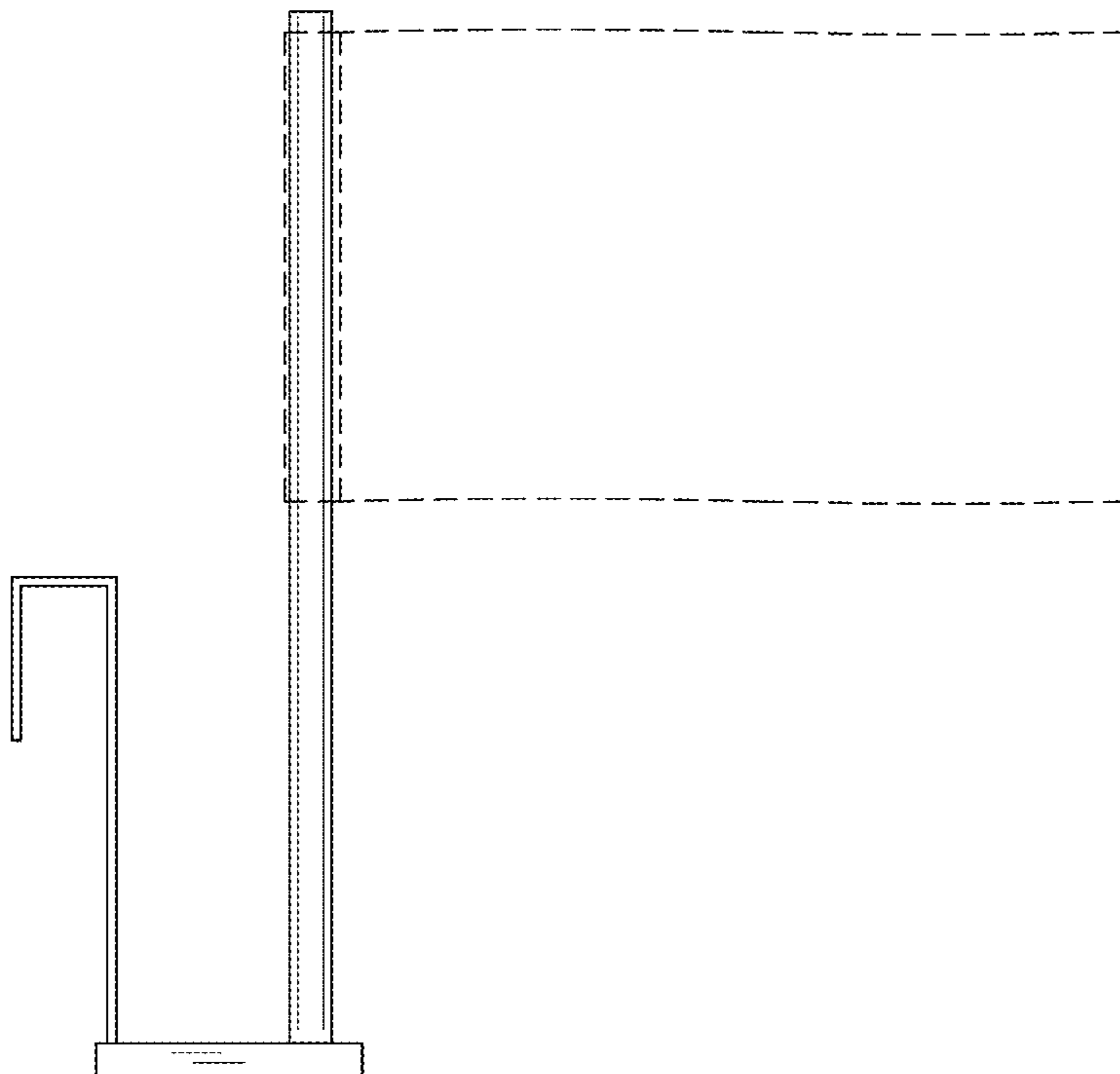
(57) **CLAIM**

The ornamental design for an extended car flag support, as shown and described.

**DESCRIPTION**

FIG. 1 is a front view of a extended car flag support showing my new design, a rear view being a mirror image thereof; FIG. 2 is a left side view of the extended car flag support; FIG. 3 is a right side view of the extended car flag support; FIG. 4 is a top view of the extended car flag support; FIG. 5 is a bottom view of the extended car flag support; and, FIG. 6 is a front view of the extended car flag support in use. The broken lines showing of the flag illustrates the environment of the claimed design and forms no part thereof.

**1 Claim, 4 Drawing Sheets**



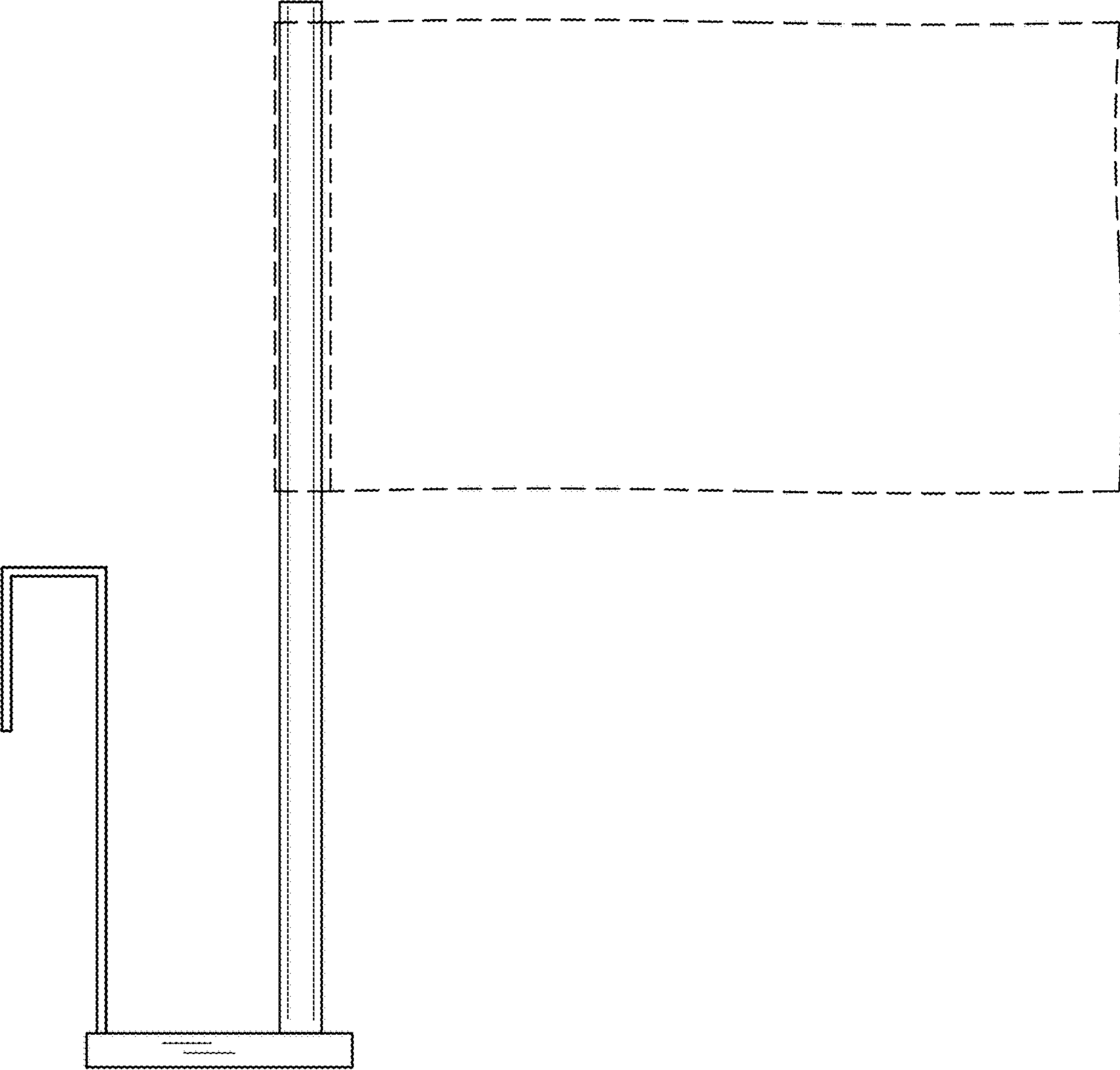


FIG. 1

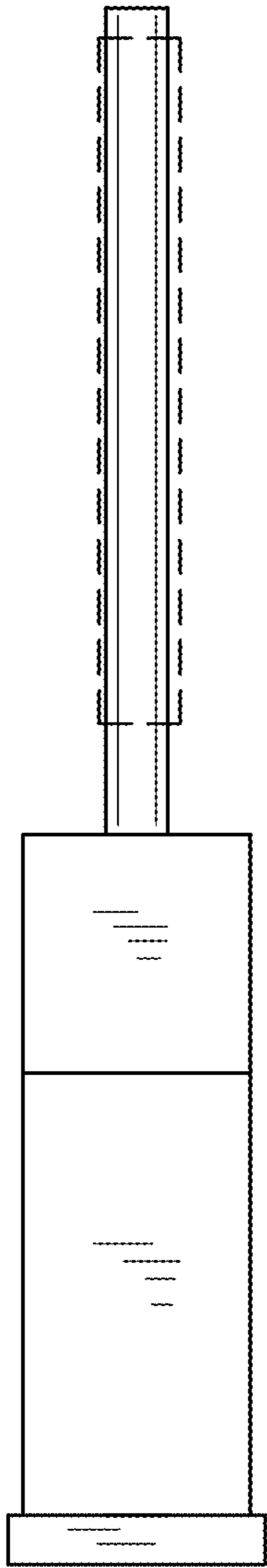


FIG. 2

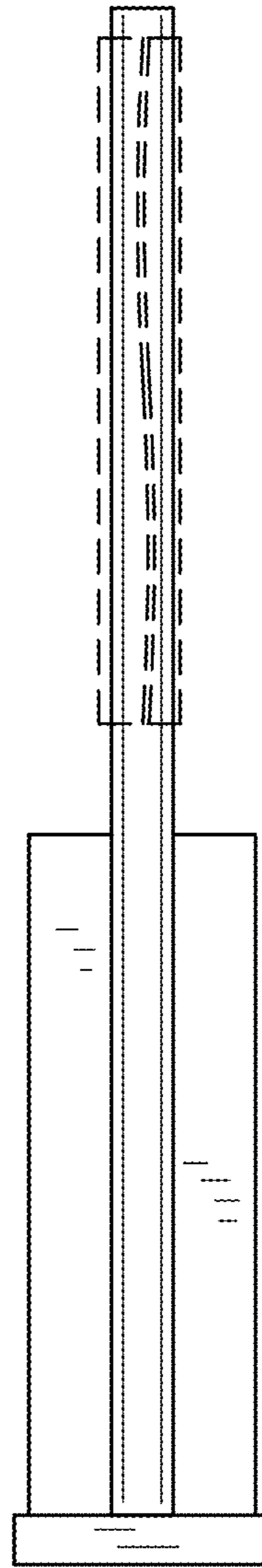


FIG. 3

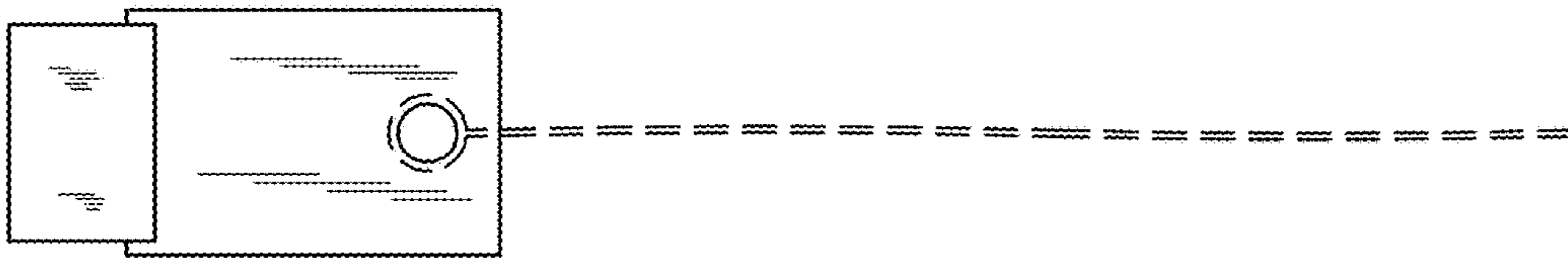


FIG. 4

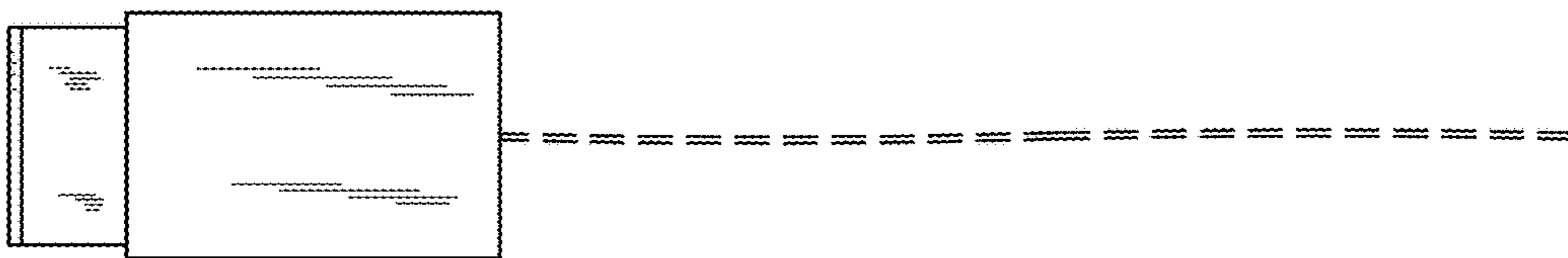


FIG. 5

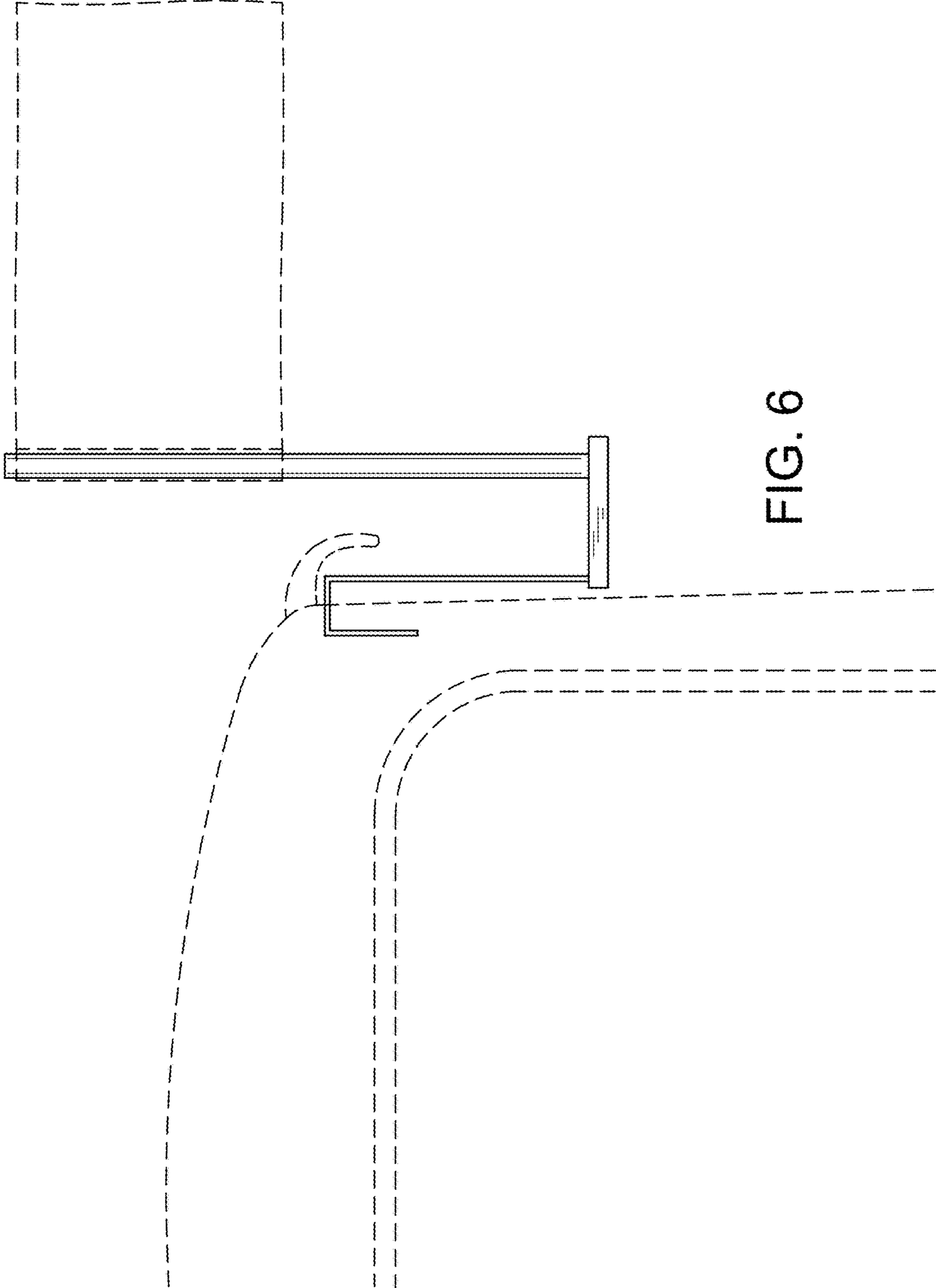


FIG. 6