



US00D801907S

(12) **United States Design Patent**  
**Gilman**

(10) **Patent No.:** **US D801,907 S**

(45) **Date of Patent:** **\*\* Nov. 7, 2017**

(54) **OAR HANDLE**

(71) Applicant: **Jeff Gilman**, Whitefish, MT (US)

(72) Inventor: **Jeff Gilman**, Whitefish, MT (US)

(73) Assignee: **Jeff Gilman**, Whitefish, MT (US)

(\*\*) Term: **15 Years**

(21) Appl. No.: **29/563,565**

(22) Filed: **May 5, 2016**

(51) **LOC (10) Cl.** ..... **12-06**

(52) **U.S. Cl.**  
USPC ..... **D12/215**

(58) **Field of Classification Search**  
USPC ..... D12/179, 215, 317; D8/10, 300, 303,  
D8/305, 307, DIG. 1-DIG. 10; 440/101;  
16/431, 433, DIG. 41; 135/65, 66;  
74/553  
CPC .... B63B 1/00; B63H 16/04; B63H 2016/046;  
F16H 59/02; Y10T 16/487; Y10T 16/506;  
Y10T 74/2084  
See application file for complete search history.

(56) **References Cited**

**U.S. PATENT DOCUMENTS**

D149,677 S *	5/1948	Roblin	.....	D7/395
D214,786 S *	7/1969	Meiluta	.....	D12/179
D248,616 S *	7/1978	Johnson	.....	D8/303
D270,631 S *	9/1983	Moskin	.....	D14/412
D298,822 S *	12/1988	Littledeer	.....	D12/215
4,842,482 A *	6/1989	Beckerer, Jr.	.....	B63H 16/04 416/70 R
D305,401 S *	1/1990	Winston	.....	D8/303
D323,280 S *	1/1992	Chen	.....	74/551.9
D368,011 S *	3/1996	McCoy	.....	D8/303
D372,656 S *	8/1996	Nagano	.....	D8/303

(Continued)

*Primary Examiner* — Wan Laymon

*Assistant Examiner* — Clint A Samuel

(74) *Attorney, Agent, or Firm* — Brent P. Johnson; Berg Hill Greenleaf Ruscitti LLP

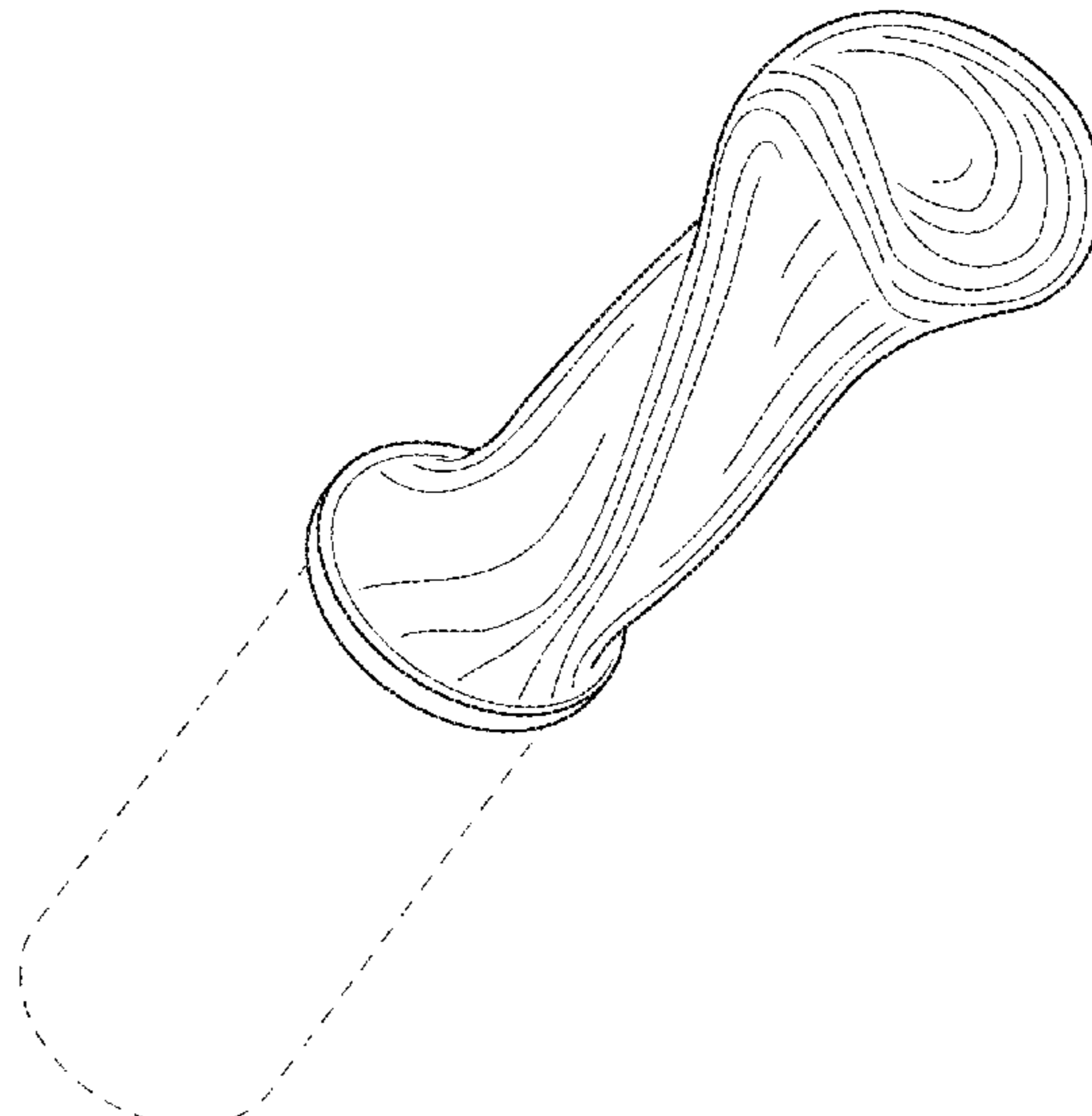
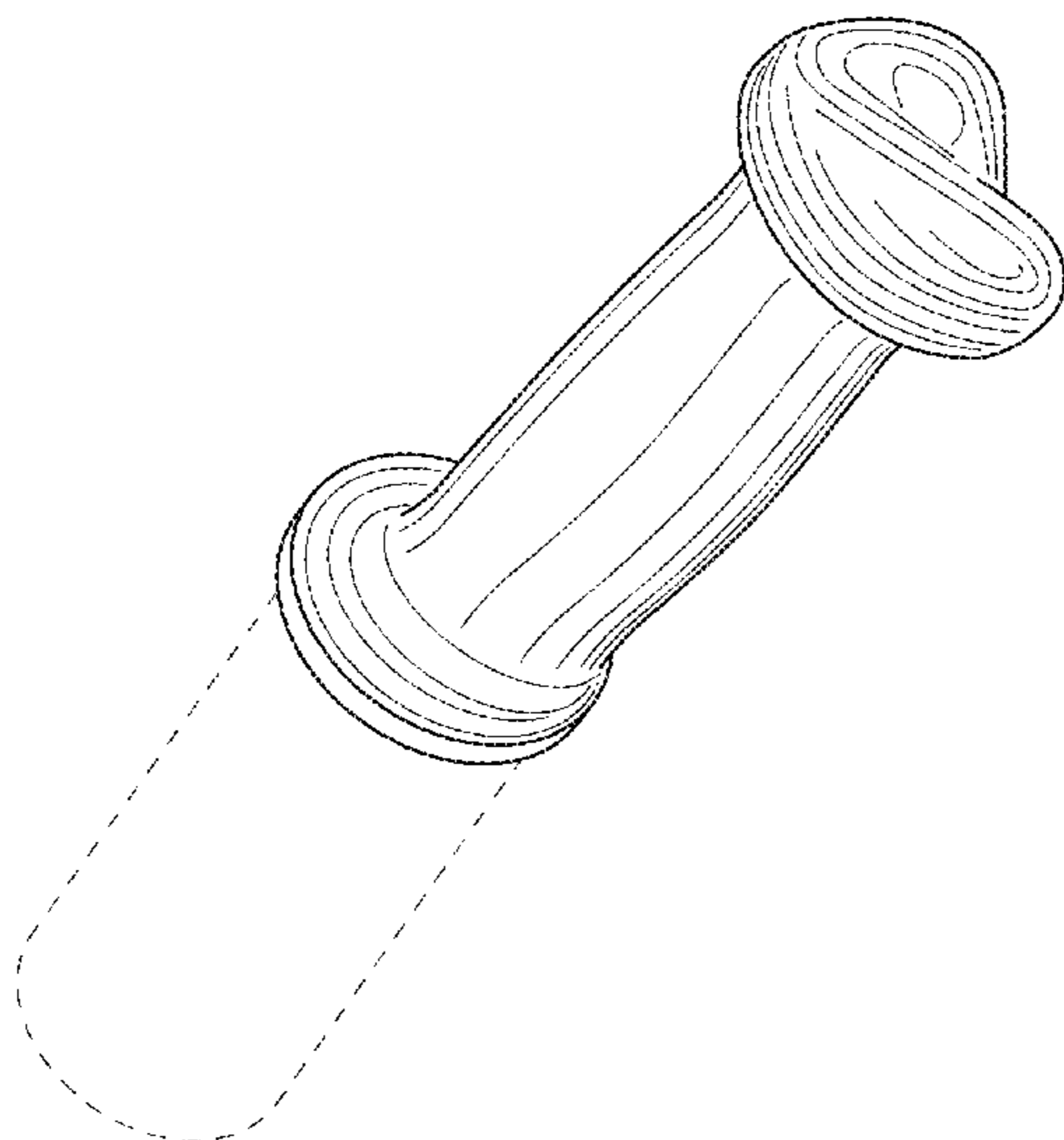
(57) **CLAIM**

The ornamental design for an oar handle, as shown and described.

**DESCRIPTION**

FIG. 1 is a perspective view of a first embodiment of the invention;  
 FIG. 2 is a front elevation view of the first embodiment of FIG. 1;  
 FIG. 3 is a rear elevation view of the first embodiment of FIG. 1;  
 FIG. 4 is a right side view of the first embodiment of FIG. 1;  
 FIG. 5 is a left side view of the first embodiment of FIG. 1;  
 FIG. 6 is a top plan view of the first embodiment of FIG. 1;  
 FIG. 7 is a bottom plan view of the first embodiment of FIG. 1;  
 FIG. 8 is a perspective view of a second embodiment of the invention;  
 FIG. 9 is a front elevation view of the second embodiment of FIG. 8;  
 FIG. 10 is a rear elevation view of the second embodiment of FIG. 8;  
 FIG. 11 is a right side view of the second embodiment of FIG. 8;  
 FIG. 12 is a left side view of the second embodiment of FIG. 8;  
 FIG. 13 is a top plan view of the second embodiment of FIG. 8; and,  
 FIG. 14 is a bottom plan view of the second embodiment of FIG. 8.  
 The broken line showing in the drawings is included for the purpose of illustrating portions of the oar handle and forms no part of the claimed design.

**1 Claim, 8 Drawing Sheets**



(56)

**References Cited**

U.S. PATENT DOCUMENTS

D378,798	S	*	4/1997	Berti	.....	D32/52
D403,228	S	*	12/1998	Halls	.....	D3/12
D412,824	S	*	8/1999	Hoefle	.....	D12/179
D432,892	S	*	10/2000	Nakatani	.....	D8/307
D442,446	S	*	5/2001	Hortnagl	.....	D8/10
D446,437	S	*	8/2001	Chen	.....	D8/107
D459,645	S	*	7/2002	Rothfus	.....	D8/303
D489,668	S	*	5/2004	Peng	.....	D12/215
D531,875	S	*	11/2006	Chen	.....	D8/80
D544,777	S	*	6/2007	Yeh	.....	D8/303
D551,054	S	*	9/2007	Eijvinsoon	.....	D8/303
D565,384	S	*	4/2008	Chen	.....	D8/303
D596,906	S	*	7/2009	Boies	.....	D8/10
D696,922	S	*	1/2014	Cubillo	.....	D8/303
D784,785	S	*	4/2017	Sasaki	.....	D12/179
2004/0107544	A1	*	6/2004	Skillas	.....	A45F 5/102 16/431

\* cited by examiner

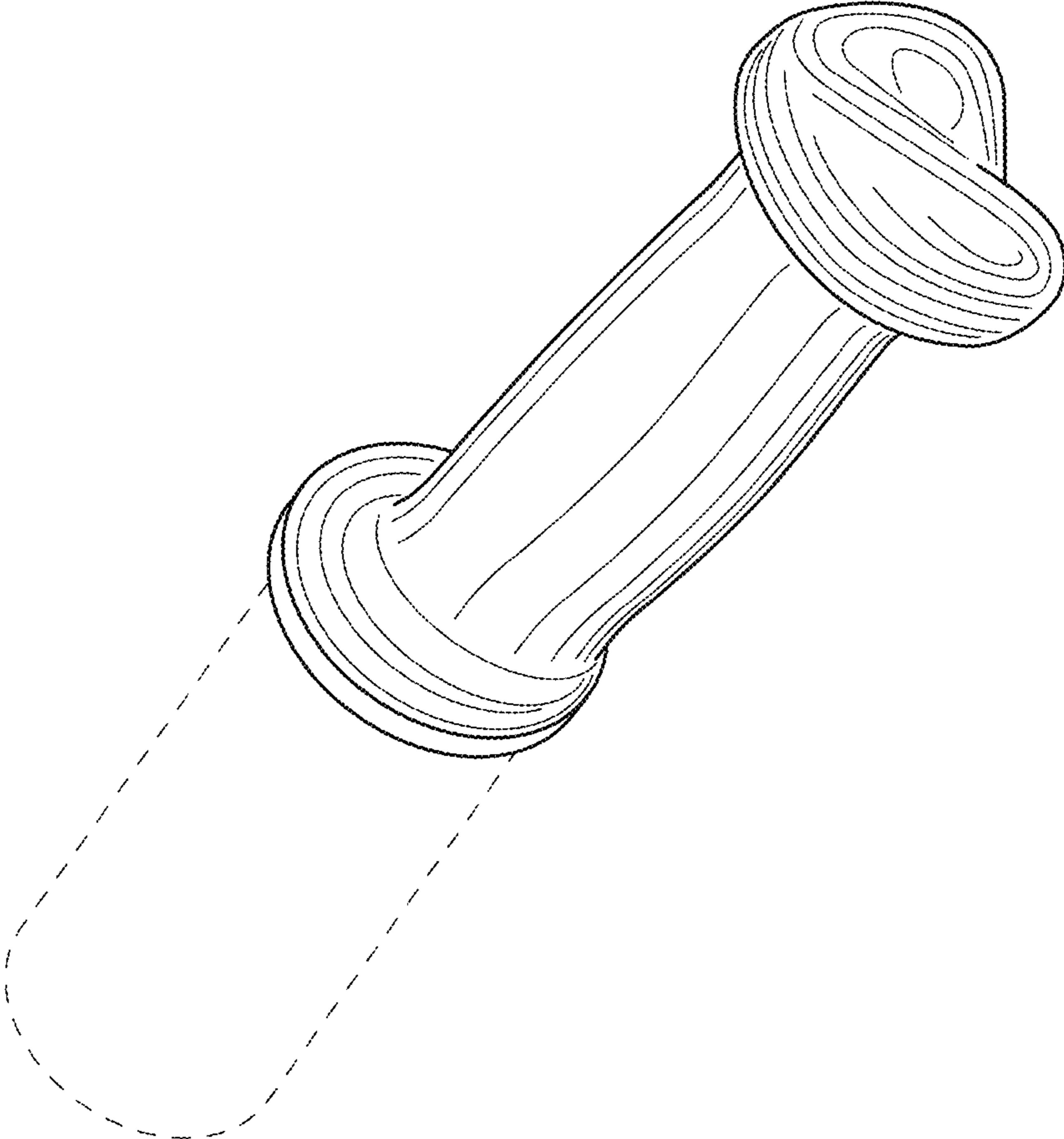


FIG.1

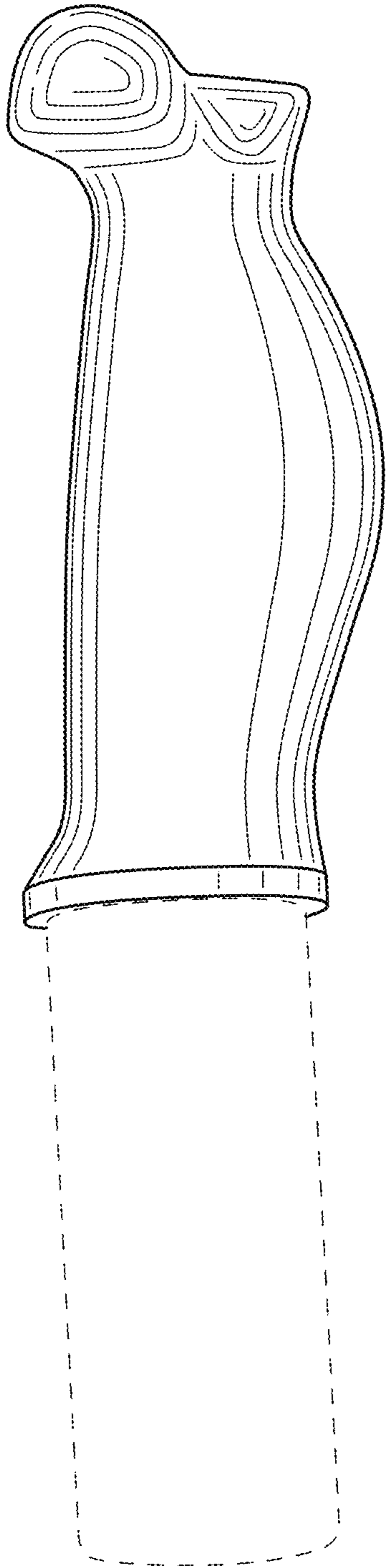


FIG. 2

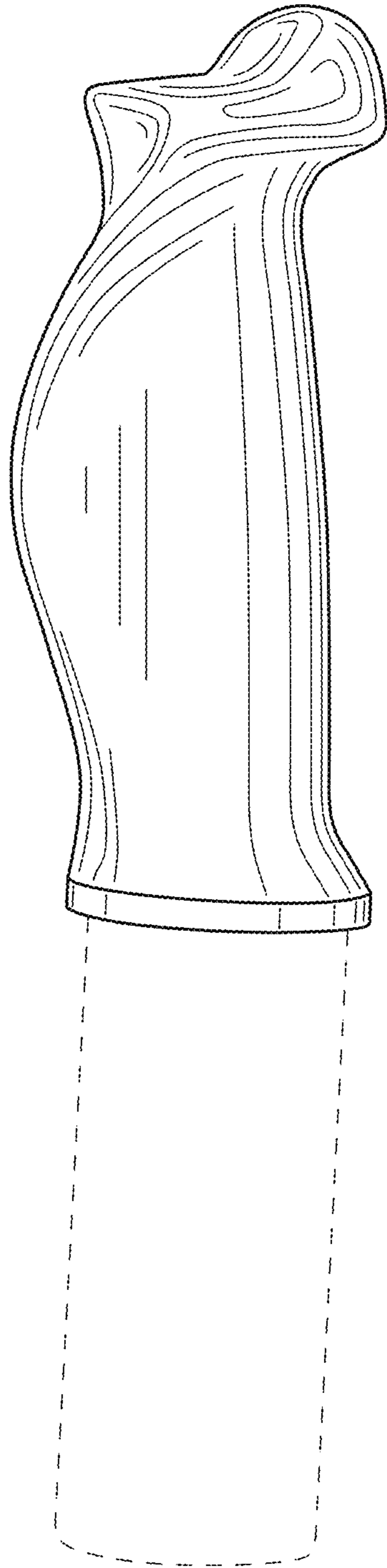


FIG. 3

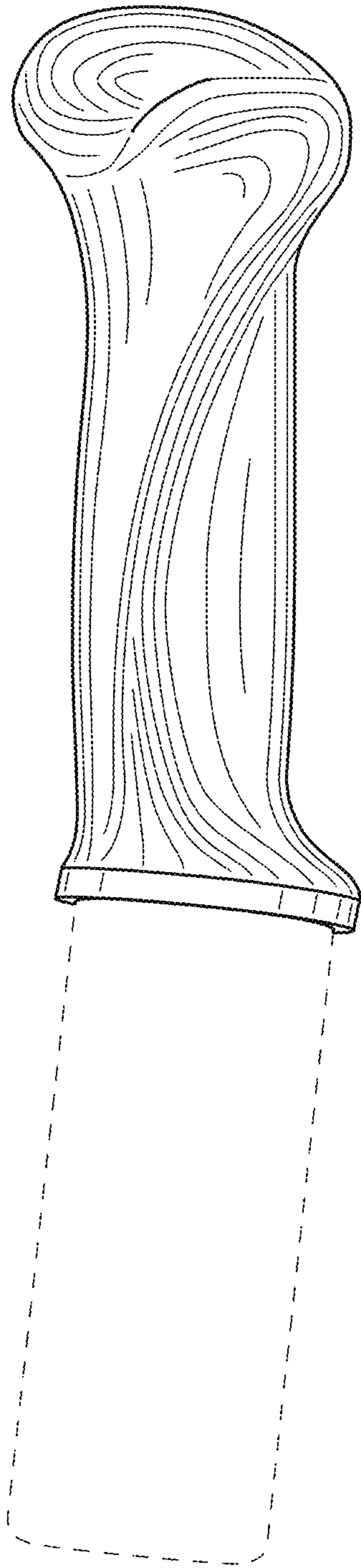


FIG. 4

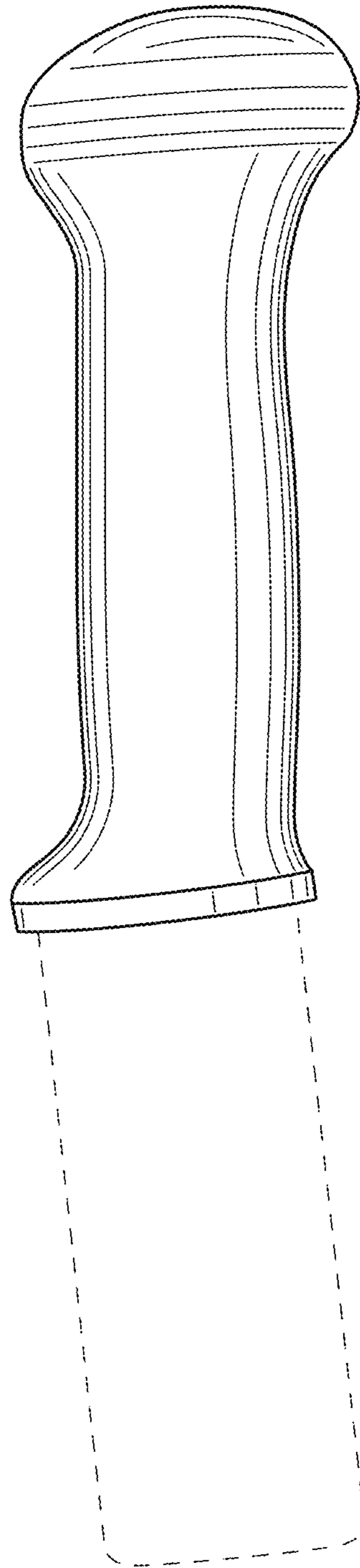


FIG. 5



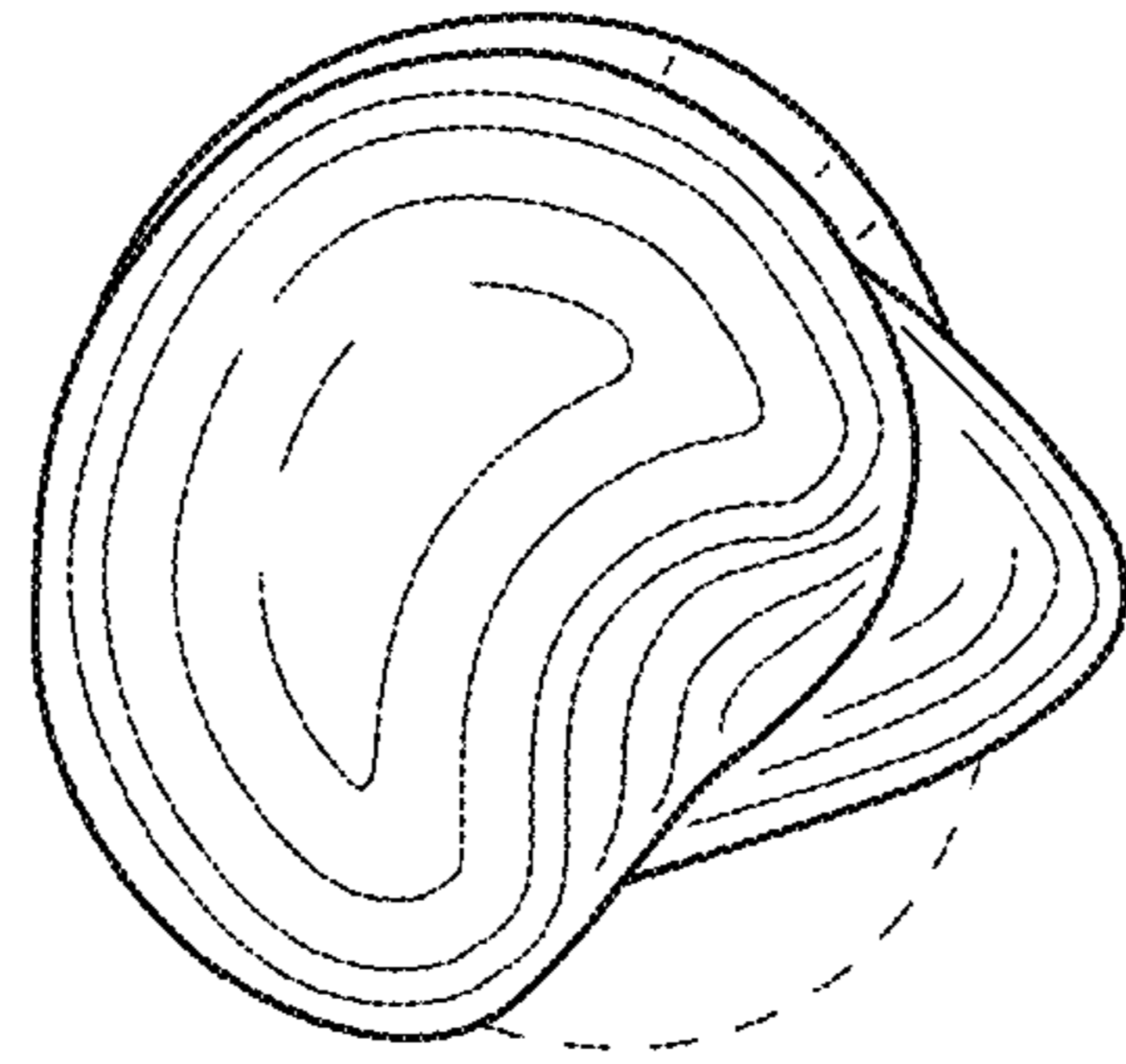


FIG. 6

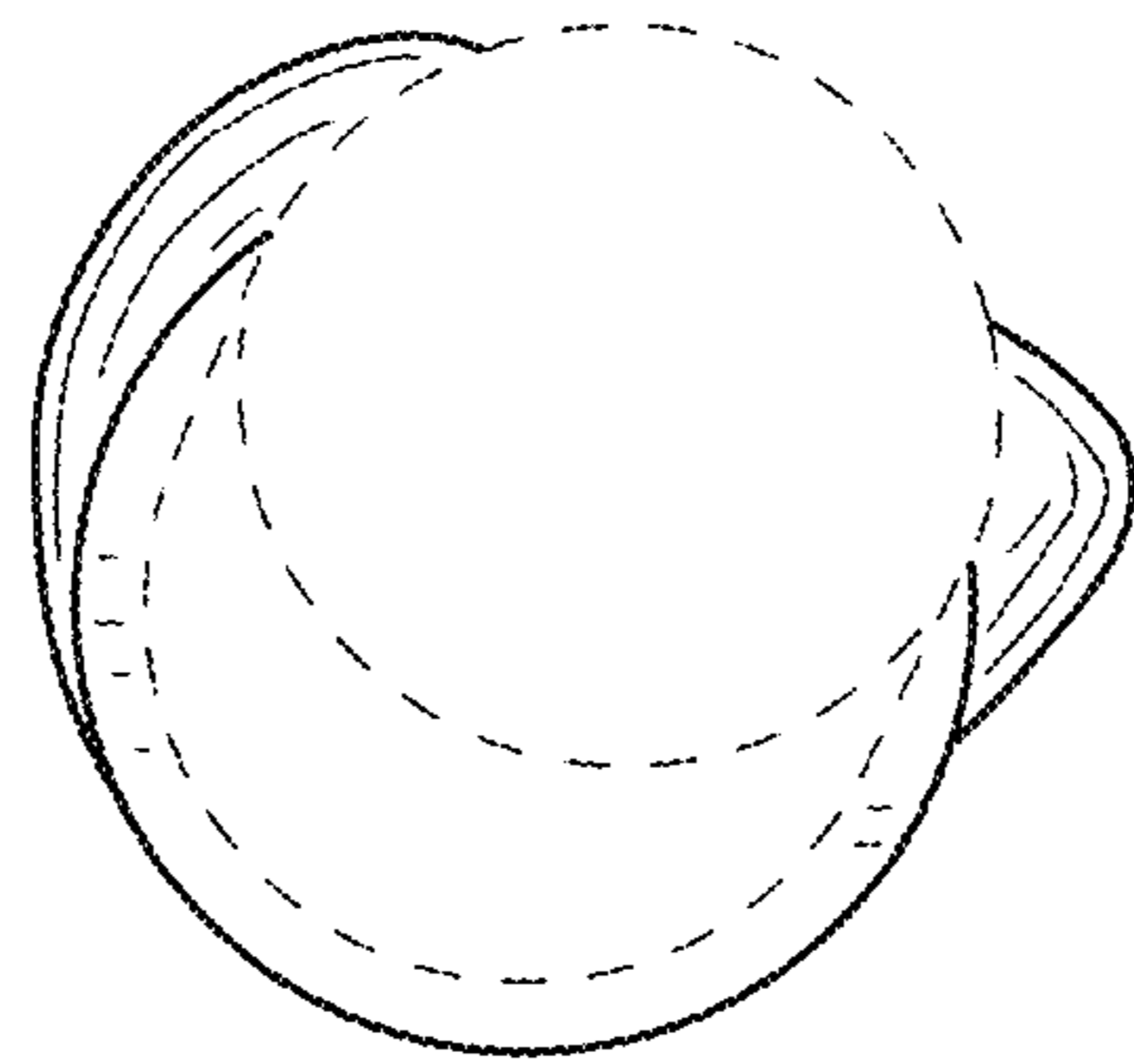


FIG. 7

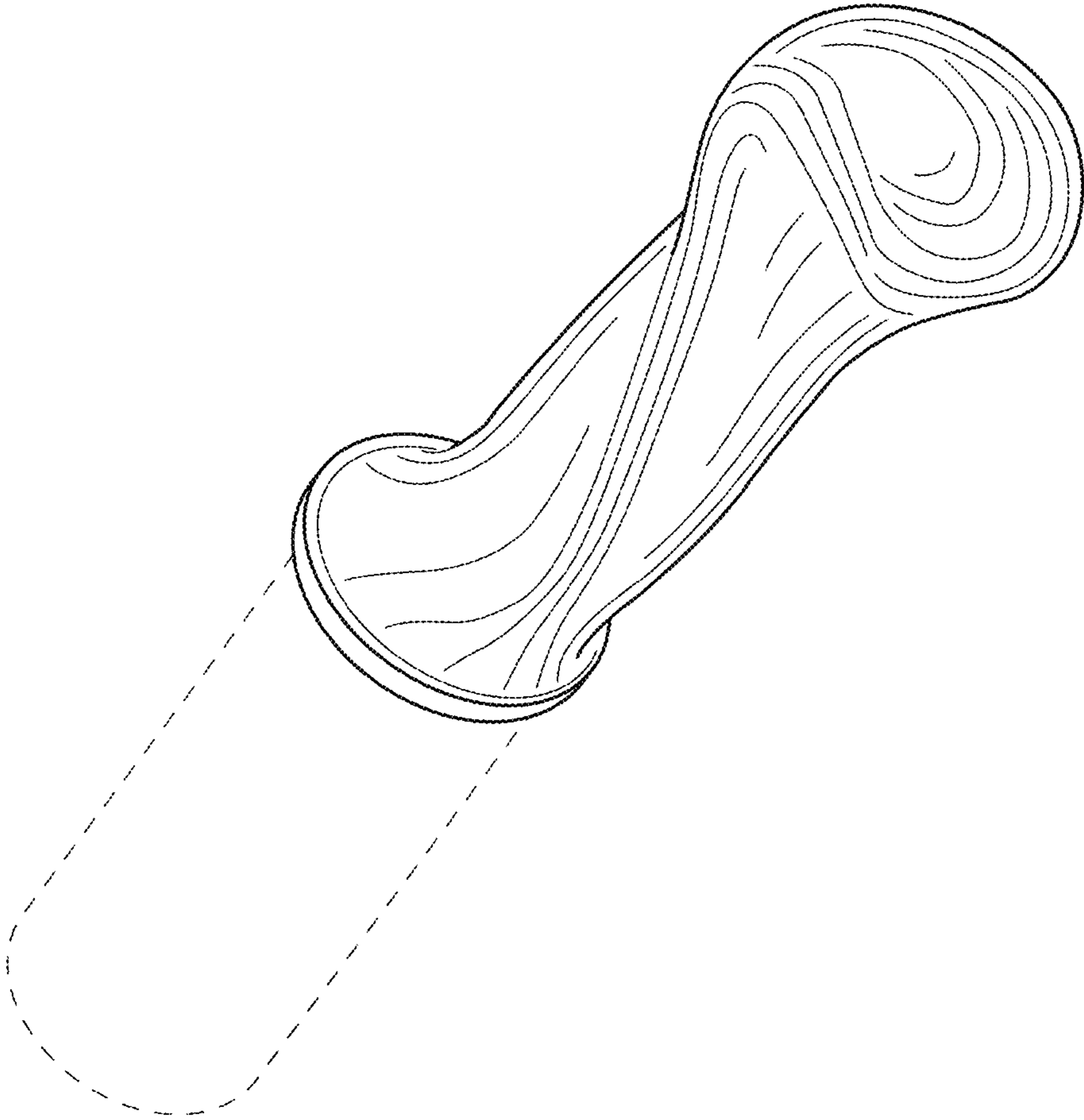


FIG.8

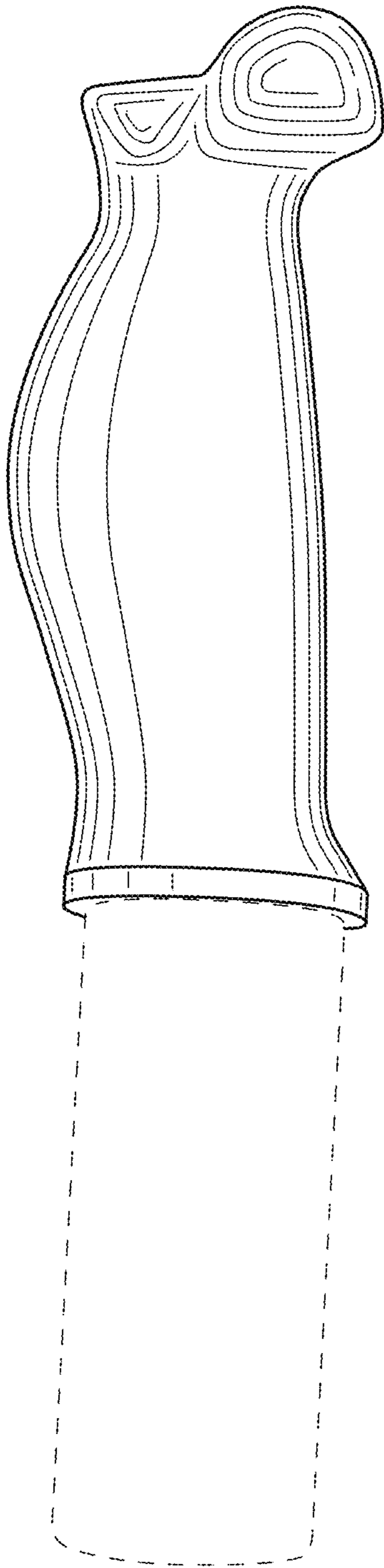


FIG. 9

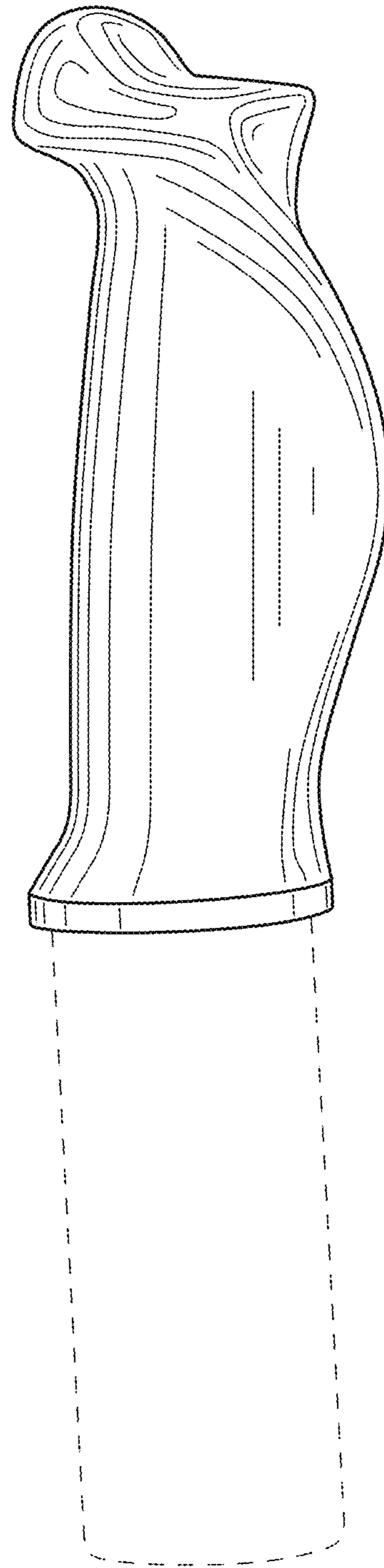


FIG. 10



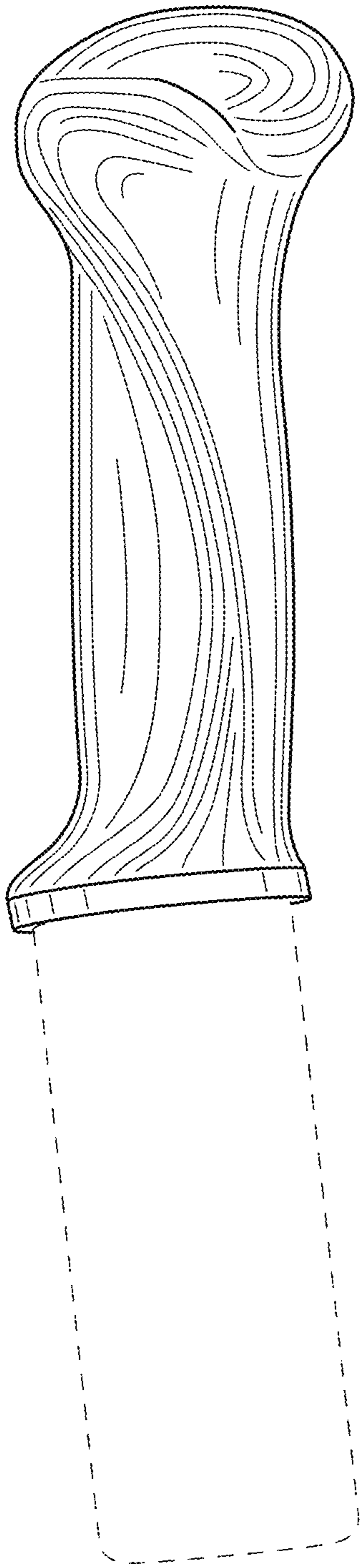


FIG. 11

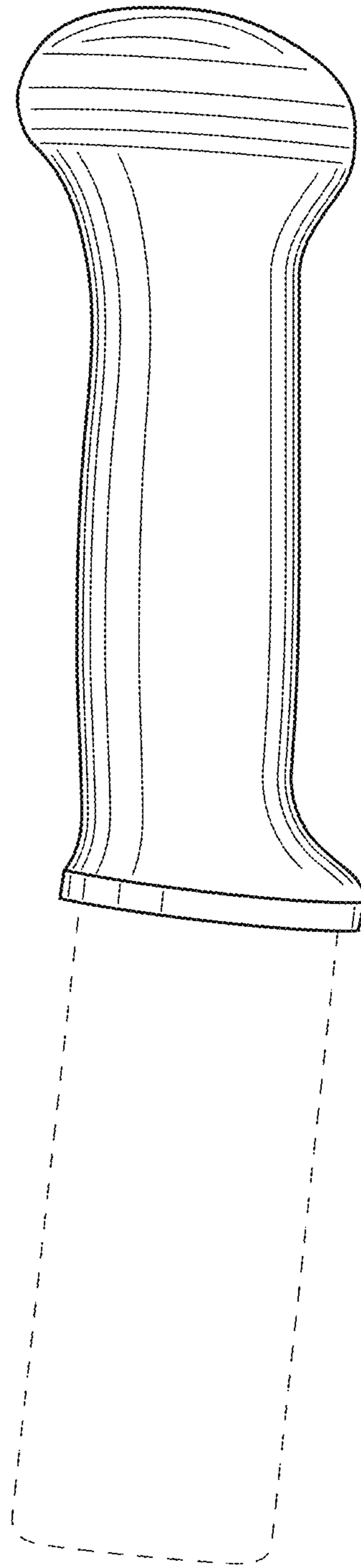


FIG. 12

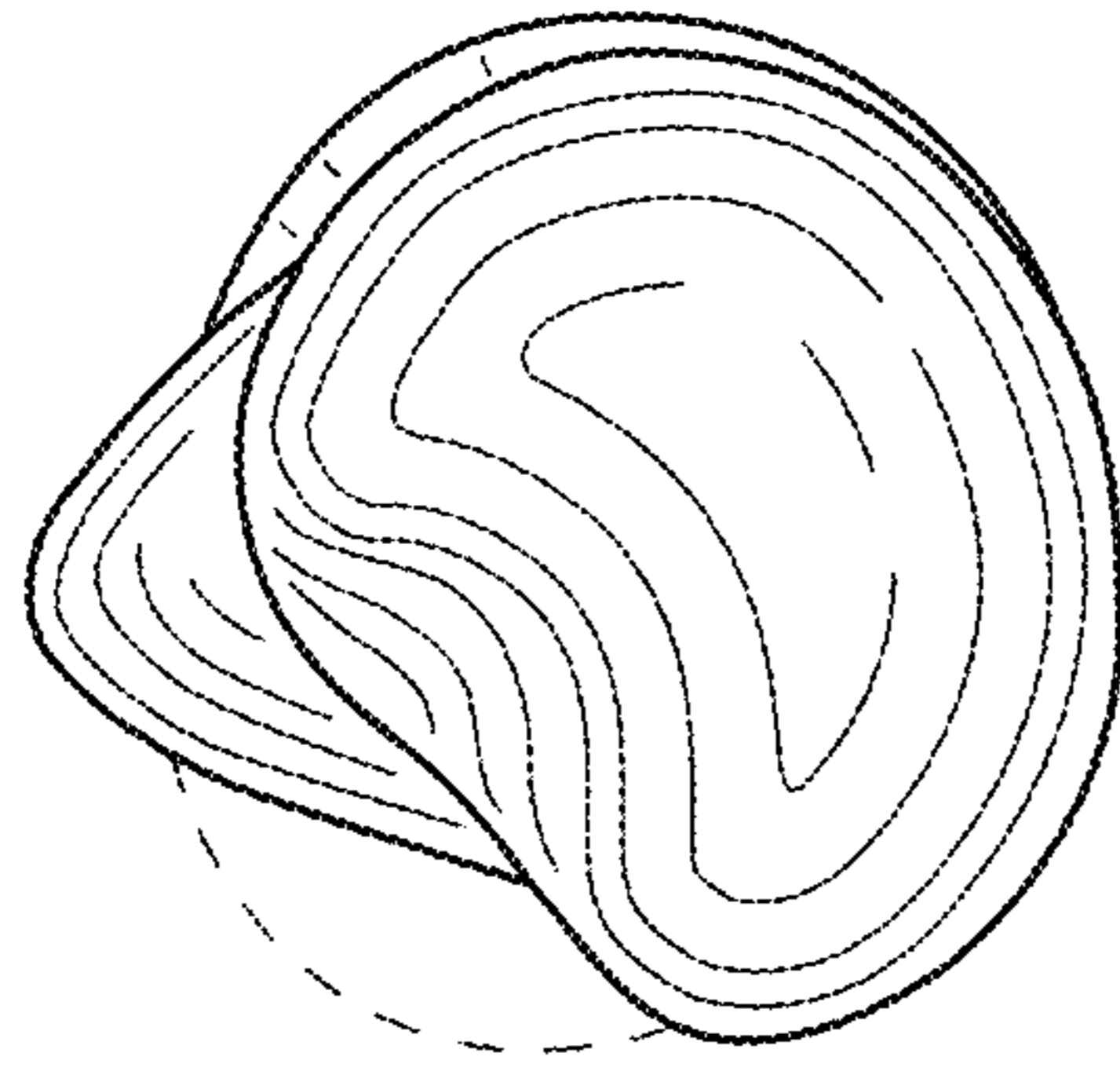


FIG. 13

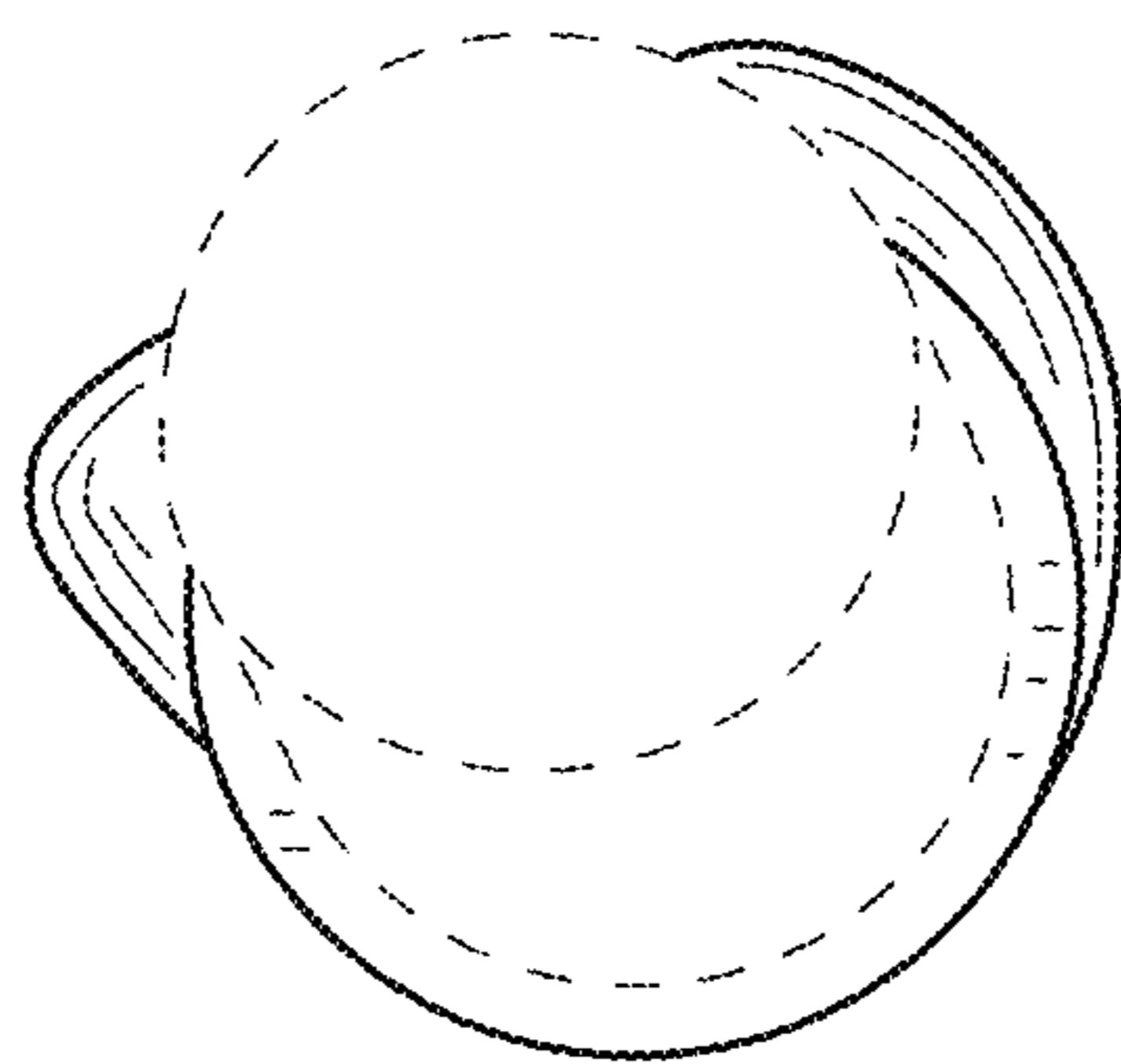


FIG. 14