



US00D801904S

(12) **United States Design Patent**  
**Groth**

(10) **Patent No.:** **US D801,904 S**

(45) **Date of Patent:** **\*\* Nov. 7, 2017**

(54) **VEHICLE WHEEL**

(71) Applicant: **Bayerische Motoren Werke  
Aktiengesellschaft, Munich (DE)**

(72) Inventor: **Kristian Groth, Munich (DE)**

(73) Assignee: **Bayerische Motoren Werke  
Aktiengesellschaft, Munich (DE)**

(\*\*) Term: **15 Years**

(21) Appl. No.: **29/570,741**

(22) Filed: **Jul. 12, 2016**

(30) **Foreign Application Priority Data**

Jan. 13, 2016 (DE) ..... 40 2016 100 014

(51) **LOC (10) Cl.** ..... **12-16**

(52) **U.S. Cl.**  
USPC ..... **D12/211**

(58) **Field of Classification Search**  
USPC ..... D12/204–213  
CPC .... B60B 7/00; B60B 7/02; B60B 7/04; B60B  
7/01; B60B 7/06; B60B 3/02; B60B 3/04;  
B60B 3/06; B60B 3/10; B60B 1/00;  
B60B 1/08; B60B 1/10; B60B 1/12  
See application file for complete search history.

(56) **References Cited**

**U.S. PATENT DOCUMENTS**

D451,067 S	11/2001	Frizzi	
D499,686 S *	12/2004	Song	D12/211
D541,724 S *	5/2007	Gallert	D12/211
D569,323 S *	5/2008	Laengerer	D12/211
D578,455 S *	10/2008	Pfeiffer	D12/211
D593,022 S	5/2009	Forster et al.	
D597,015 S *	7/2009	Juergens	D12/211
D655,234 S *	3/2012	Zhao	D12/211
D667,769 S *	9/2012	Pollmann	D12/209

D681,540 S *	5/2013	Zhao	D12/211
D686,132 S	7/2013	Truebsbach	
D712,331 S *	9/2014	Breyton	D12/209
D723,996 S *	3/2015	Zhao	D12/211
D733,632 S	7/2015	Juergens et al.	
D753,047 S *	4/2016	Alfonso	D12/211
D755,101 S *	5/2016	Gallert	D12/211
D756,286 S *	5/2016	Zhao	D12/211
D756,881 S *	5/2016	Zhao	D12/211
D760,636 S *	7/2016	Kolb	D12/211
D773,369 S *	12/2016	Rueckheim	D12/211

(Continued)

**FOREIGN PATENT DOCUMENTS**

EM	000976881-0001	10/2008
EM	001072284-0001	3/2009

(Continued)

*Primary Examiner* — Stacia Cadmus

(74) *Attorney, Agent, or Firm* — Crowell & Moring LLP

(57) **CLAIM**

The ornamental design for a vehicle wheel, as shown and described.

**DESCRIPTION**

This application contains subject matter related to the following co-pending U.S. design patent application: Application Ser. No. 29/539,448, filed Sep. 15, 2015 and entitled “vehicle wheel.”

FIG. 1 is a perspective view of a vehicle wheel according to the design;

FIG. 2 is an additional perspective view thereof;

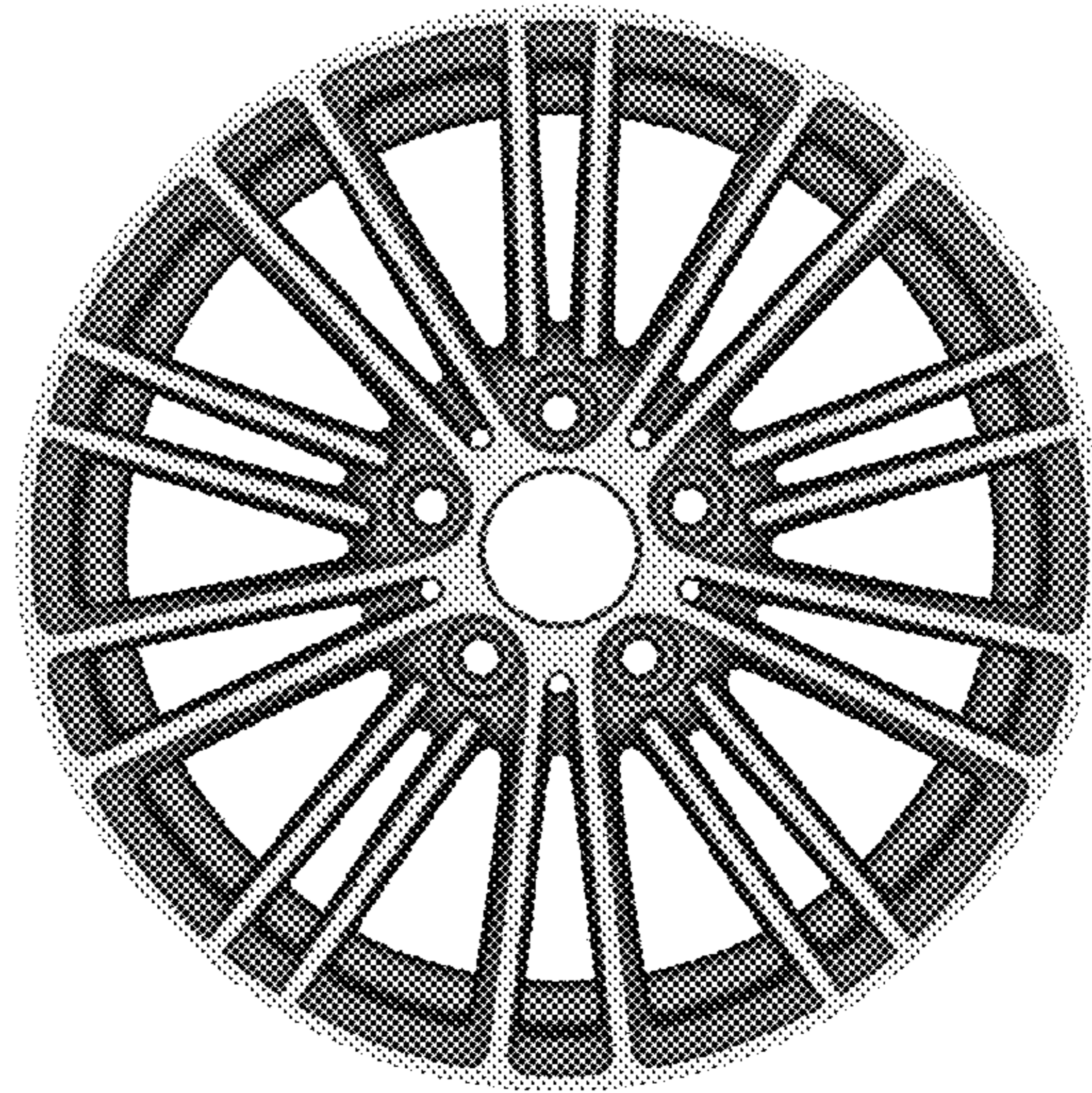
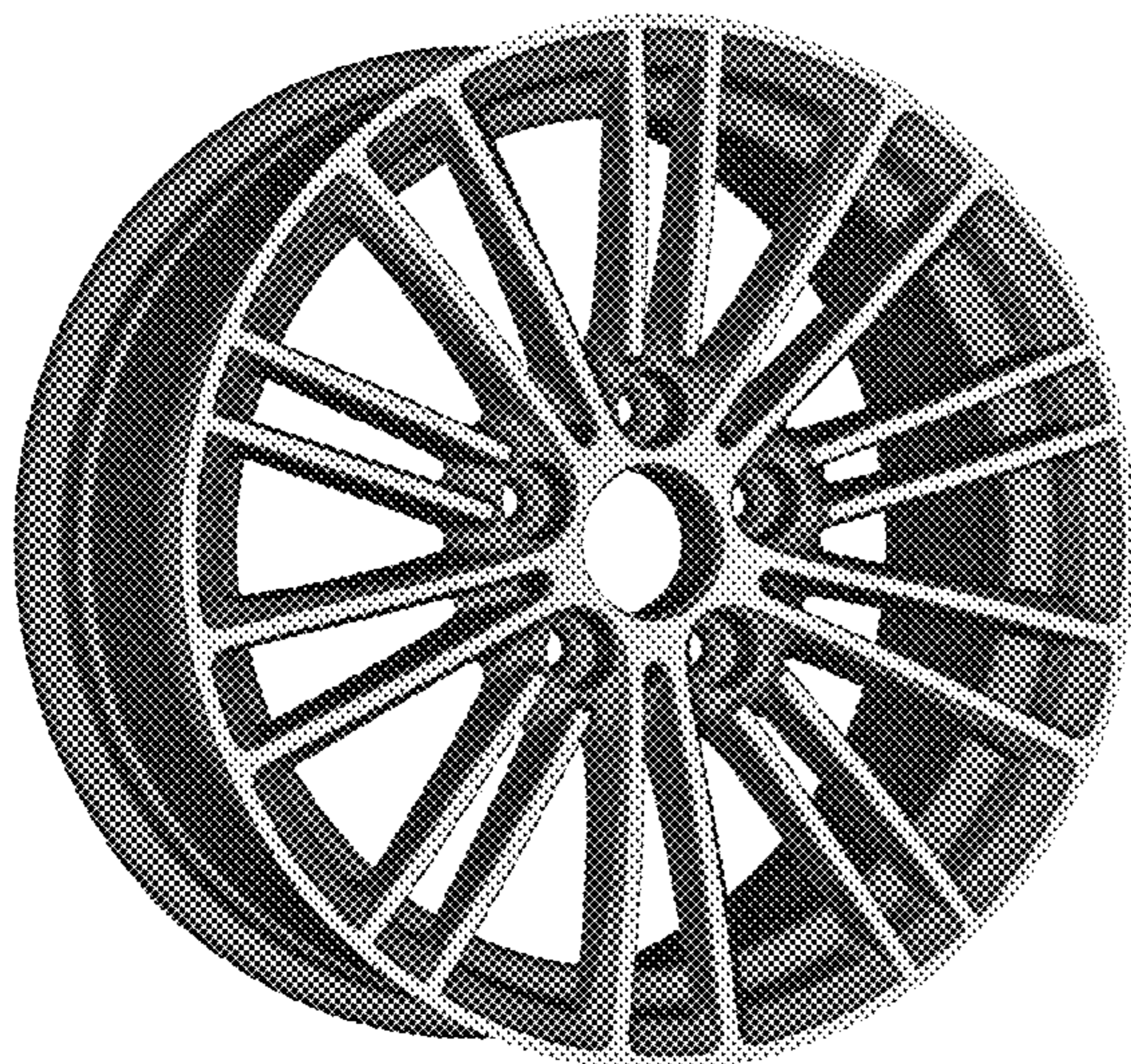
FIG. 3 is an additional perspective view thereof;

FIG. 4 is a front view thereof;

FIG. 5 is a rear view thereof in a lighter gray scale, representing environmental features that form no part of the claimed design; and,

FIG. 6 is a side view thereof.

**1 Claim, 6 Drawing Sheets**



(56)

**References Cited**

U.S. PATENT DOCUMENTS

D777,640 S \* 1/2017 Bazinski ..... D12/211  
D780,660 S \* 3/2017 Giolito ..... D12/211

FOREIGN PATENT DOCUMENTS

EM 002156554-0010 12/2014  
WO DM/053038 11/2000

\* cited by examiner



Fig. 1



Fig. 2



Fig. 3



Fig. 4

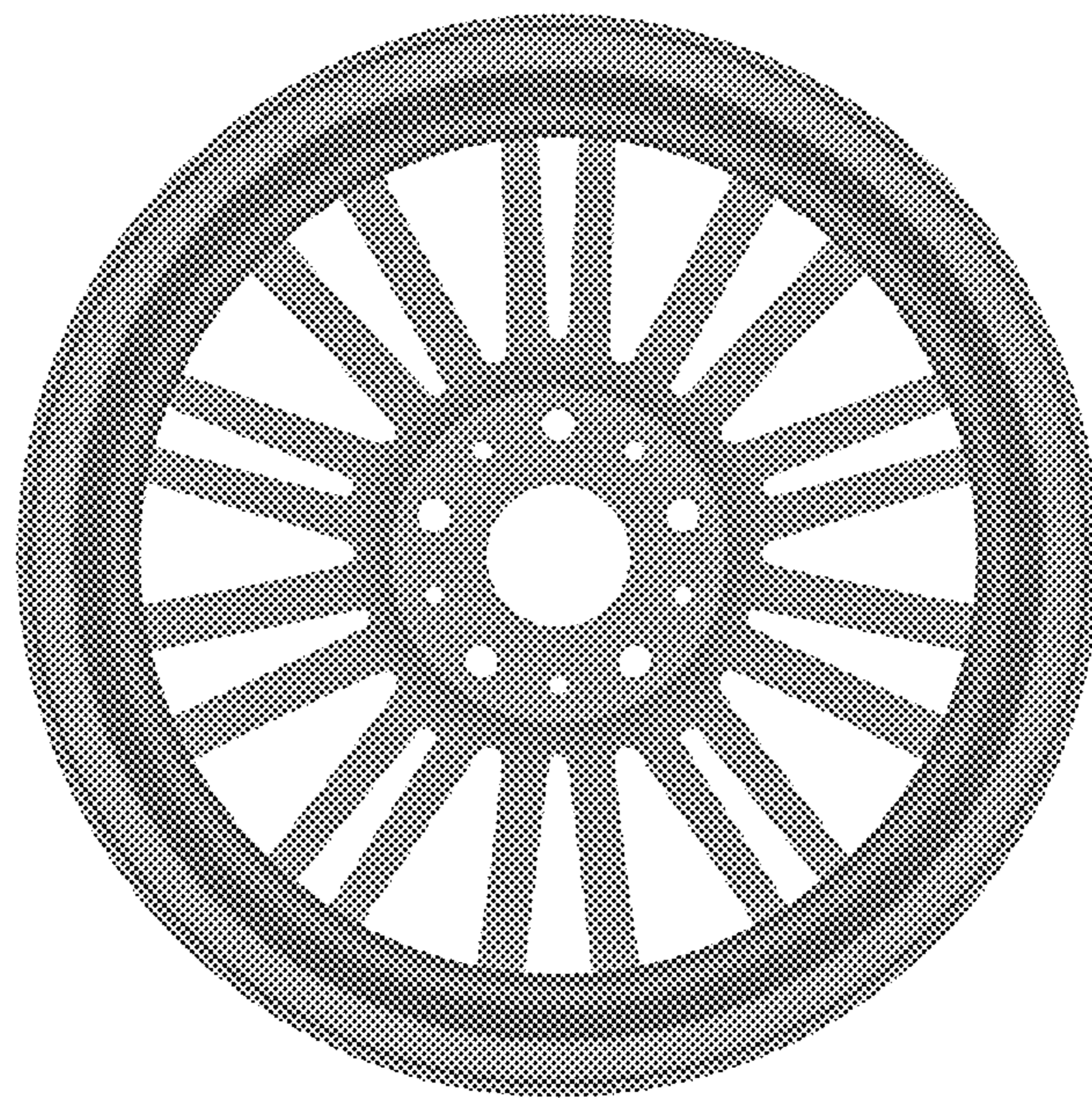


Fig. 5

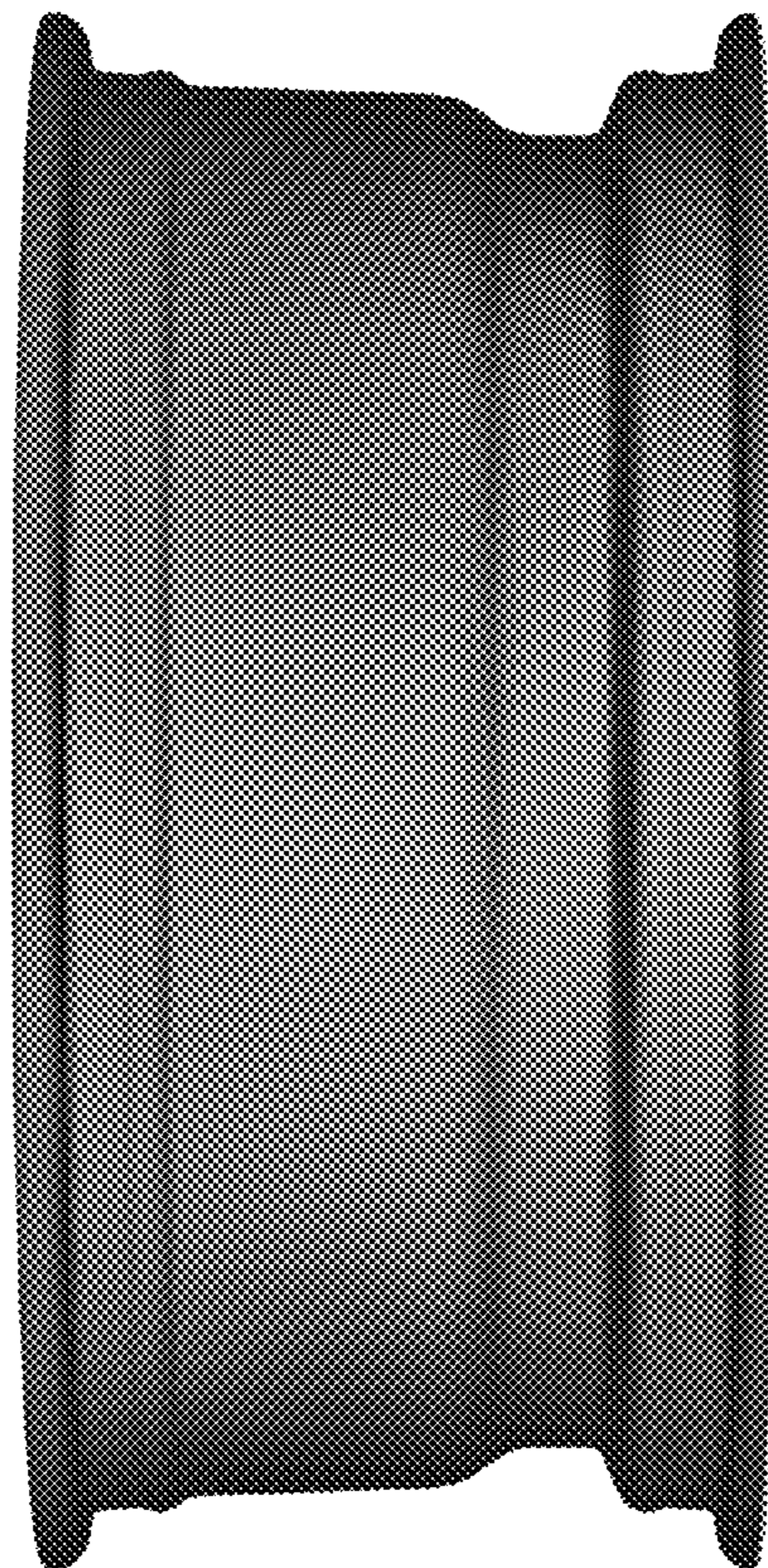


Fig. 6