



US00D801896S

(12) **United States Design Patent** (10) **Patent No.:** **US D801,896 S**  
**Ito et al.** (45) **Date of Patent:** **\*\* Nov. 7, 2017**

(54) **FENDER OF A TRUCK VEHICLE**  
(71) Applicant: **International Truck Intellectual Property Company, LLC**, Lisle, IL (US)  
(72) Inventors: **Chris Ito**, Sugar Grove, IL (US); **Glen Joel Durmisevich**, Rochester Hills, MI (US); **Christian Michael Hardin**, Waterford, MI (US)

D612,308 S 3/2010 Beigel et al.  
D612,309 S 3/2010 Beigel et al.  
D615,472 S 5/2010 Maher et al.  
D641,298 S 7/2011 Beigel et al.  
D644,581 S \* 9/2011 Beigel ..... D12/181  
D644,972 S \* 9/2011 Beigel ..... D12/181  
D684,908 S \* 6/2013 Lee ..... D12/181  
D694,685 S \* 12/2013 Lee ..... D12/184  
D695,171 S 12/2013 Riggs et al.  
D700,120 S \* 2/2014 Lee ..... D12/184  
D707,164 S \* 6/2014 Lee ..... D12/184  
D744,385 S \* 12/2015 Harriton ..... D12/169

(73) Assignee: **Navistar Canada, Inc.** (CA)  
(\*\*) Term: **15 Years**

\* cited by examiner

*Primary Examiner* — Darlington Ly

(21) Appl. No.: **29/543,870**

(74) *Attorney, Agent, or Firm* — Jeffrey P. Calfa; Mark C. Bach

(22) Filed: **Oct. 29, 2015**

(57) **CLAIM**

(51) **LOC (10) Cl.** ..... **12-16**

The ornamental design for a fender of a truck vehicle, as shown and described.

(52) **U.S. Cl.**

USPC ..... **D12/181**

(58) **Field of Classification Search**

**DESCRIPTION**

USPC ..... D12/90–92, 181, 184, 196  
CPC ..... B62D 25/16; B62D 25/18; B62D 25/161; B62D 25/168; B62D 25/184; B62D 25/186; B62D 25/188; D62D 25/182  
See application file for complete search history.

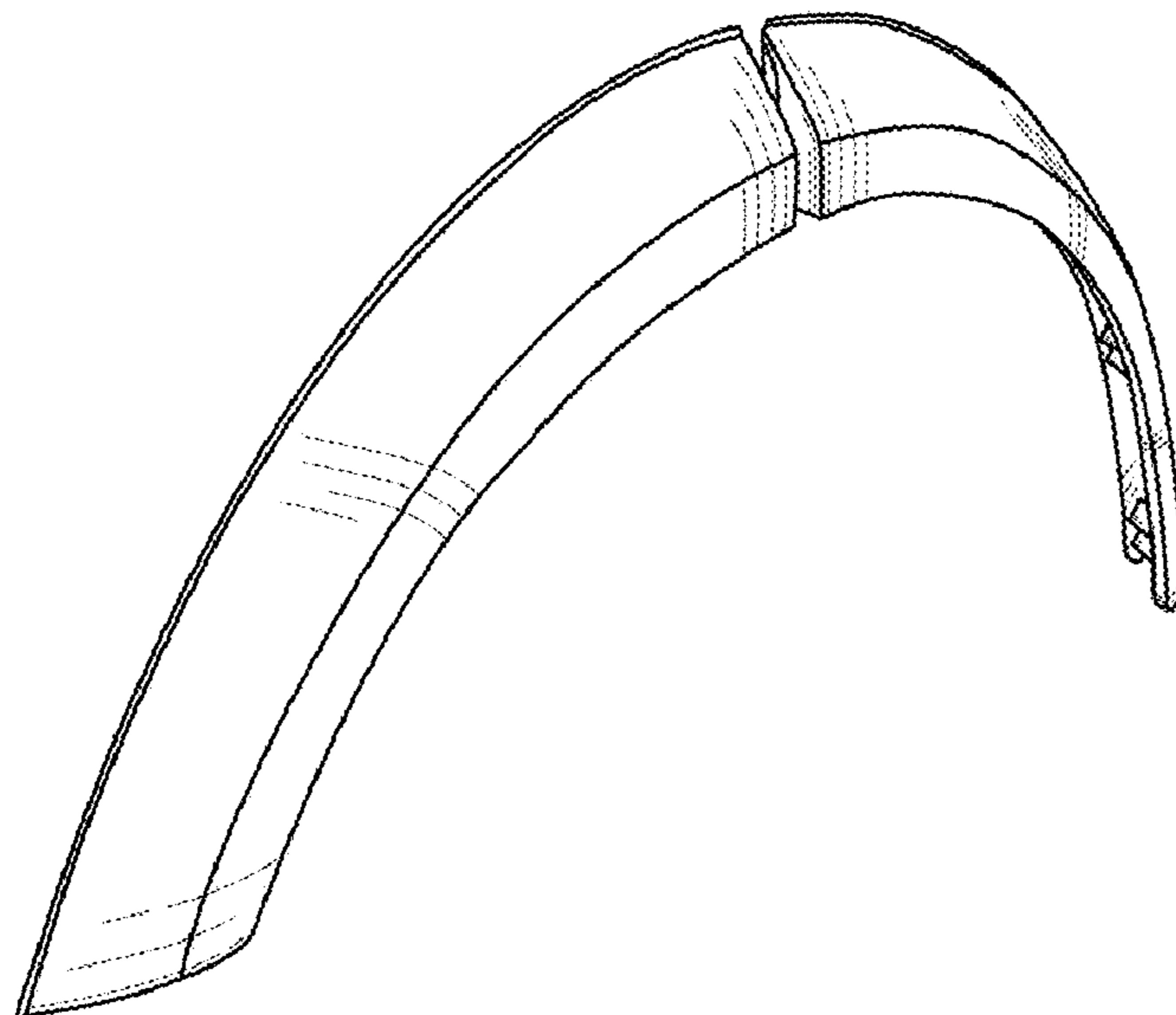
FIG. 1 is a front perspective view of a fender of a truck vehicle showing our new design;  
FIG. 2 is a top plan view thereof;  
FIG. 3 is a front elevation view thereof;  
FIG. 4 is a left side elevation view thereof;  
FIG. 5 is a right side elevation view thereof;  
FIG. 6 is a front perspective view of a fender of a truck vehicle showing our new design in accordance to an alternate embodiment;  
FIG. 7 is a top plan view thereof;  
FIG. 8 is a front elevation view thereof;  
FIG. 9 is a left side elevation view thereof; and,  
FIG. 10 is a right side elevation view thereof.

(56) **References Cited**

**U.S. PATENT DOCUMENTS**

7,044,524 B2 \* 5/2006 Luetze ..... B60R 13/04 293/128  
D524,202 S \* 7/2006 Devitt ..... D12/106  
D524,204 S 7/2006 Beigel  
D546,253 S \* 7/2007 Lee ..... D12/106  
D582,825 S \* 12/2008 Logan ..... D12/184  
D594,387 S \* 6/2009 Seidenberg ..... D12/106  
D610,511 S \* 2/2010 Dubanowski ..... D12/181

**1 Claim, 6 Drawing Sheets**



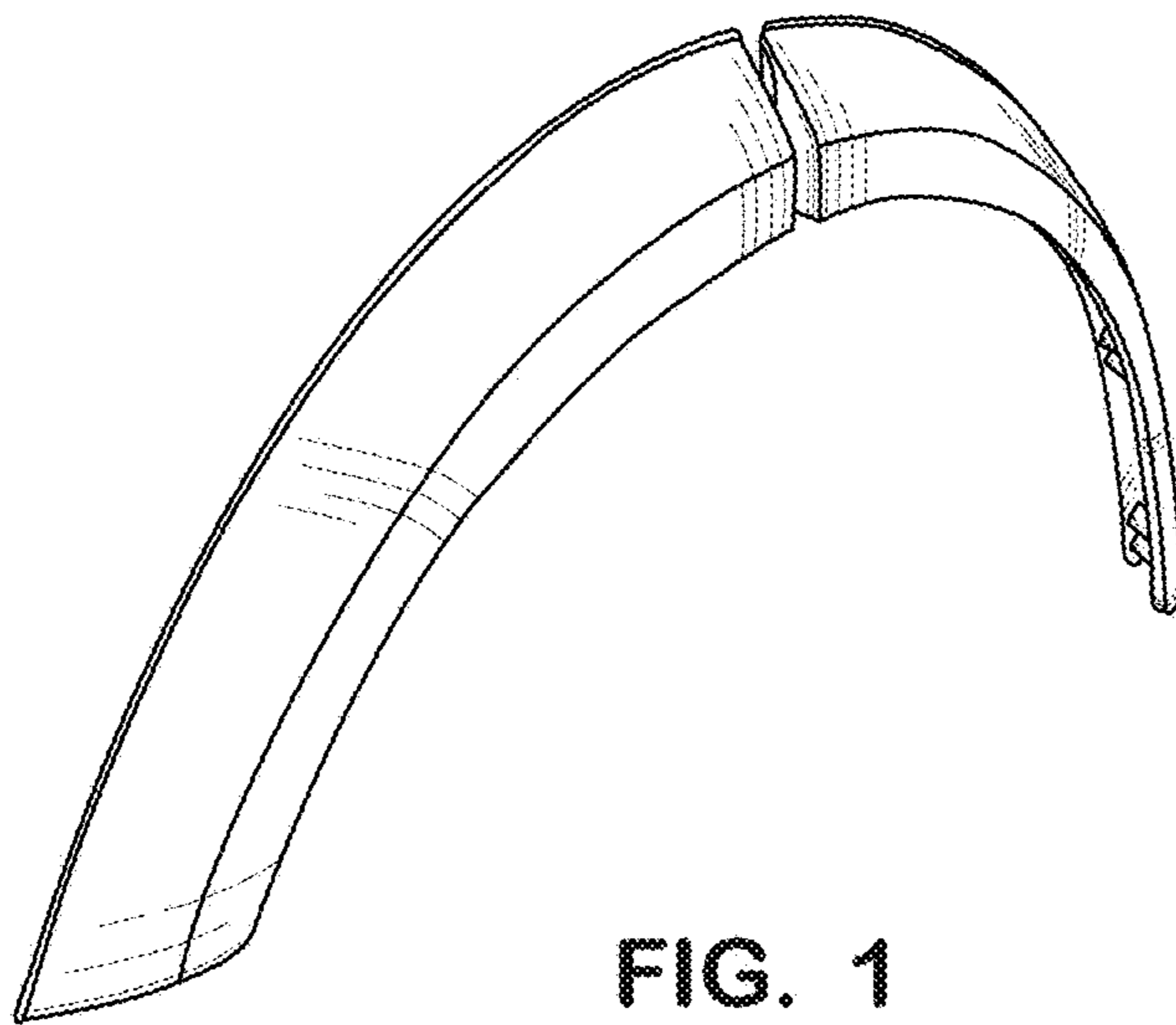
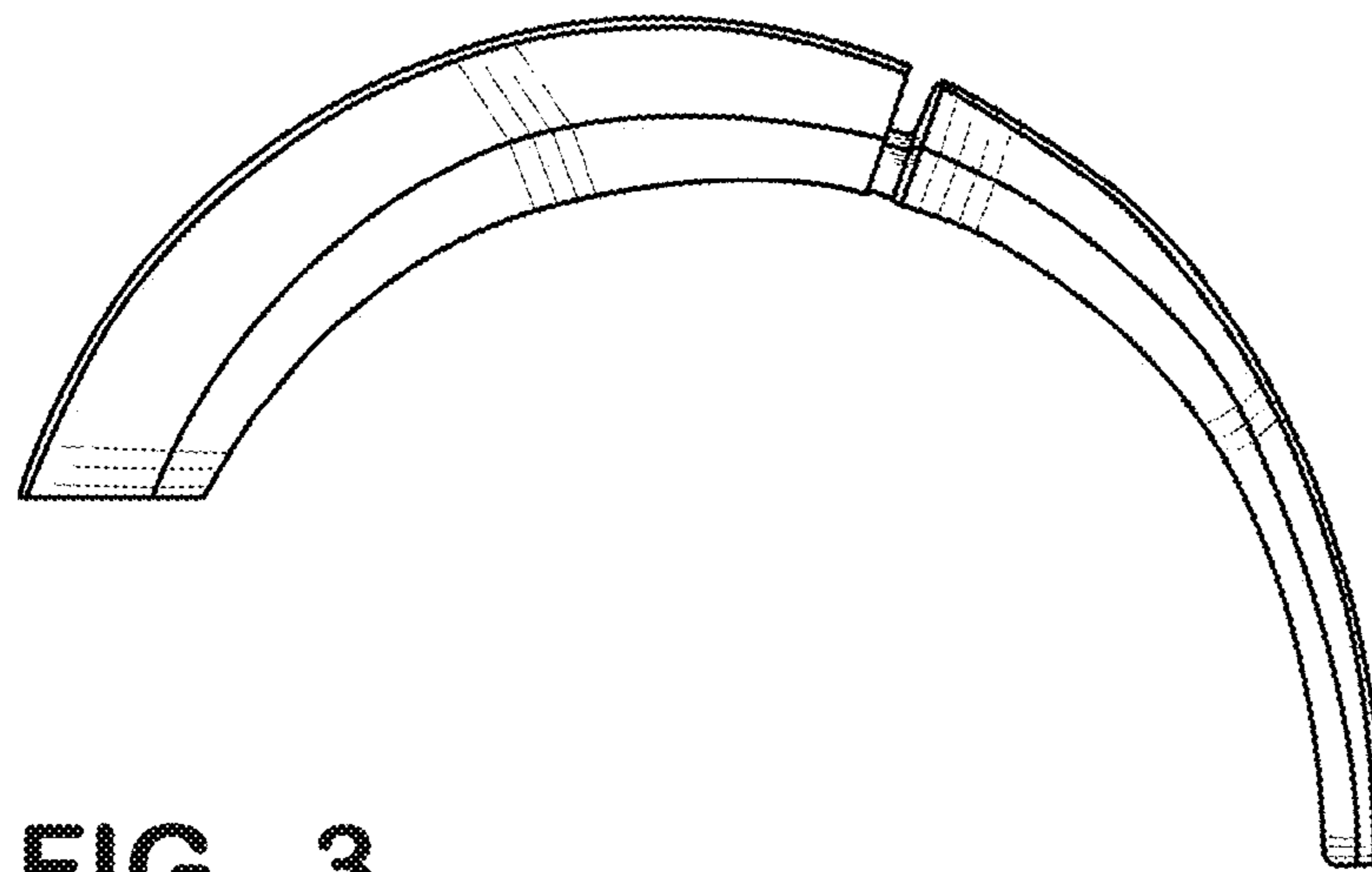


FIG. 1



FIG. 2



**FIG. 3**



**FIG. 4**



**FIG. 5**

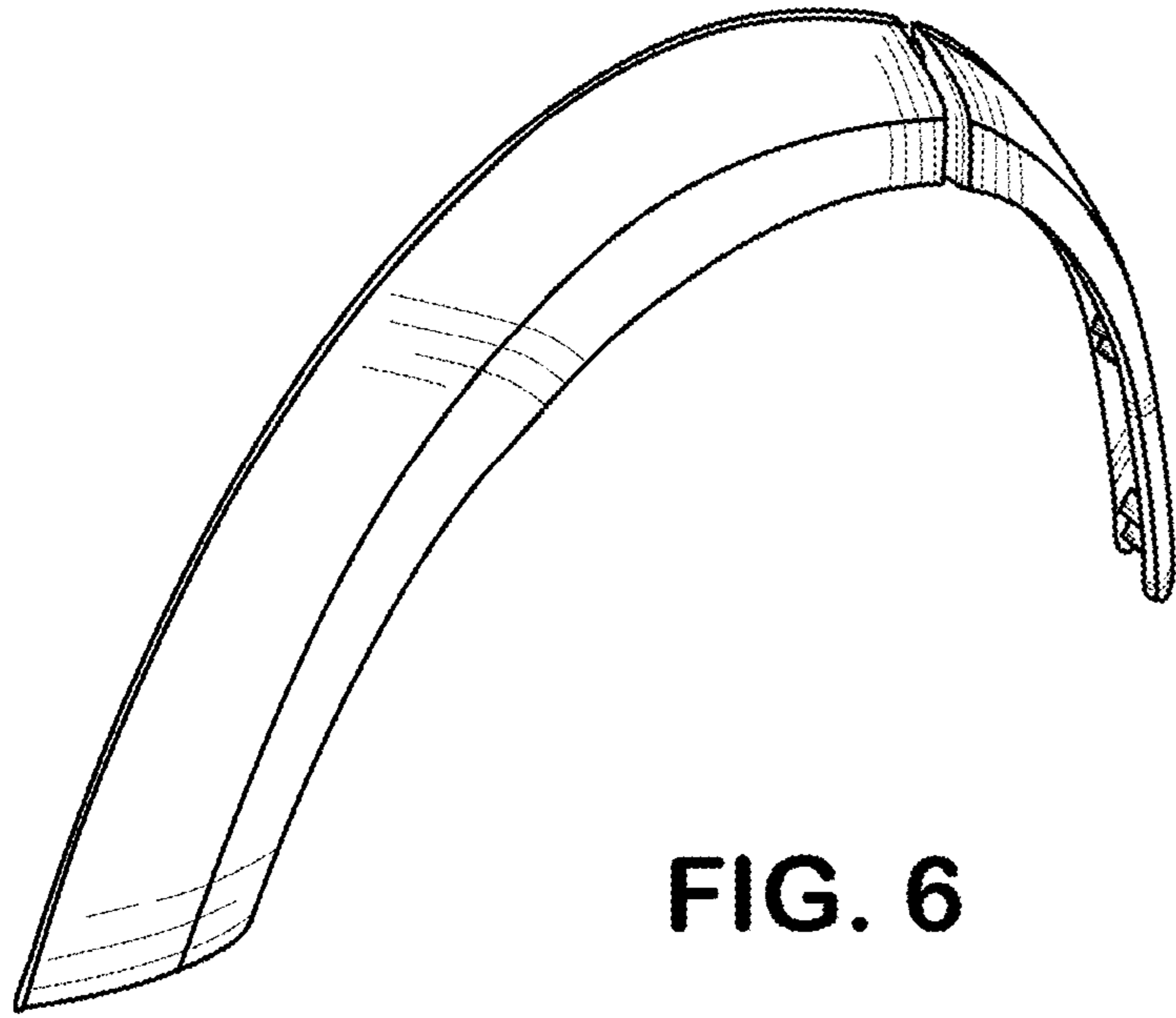
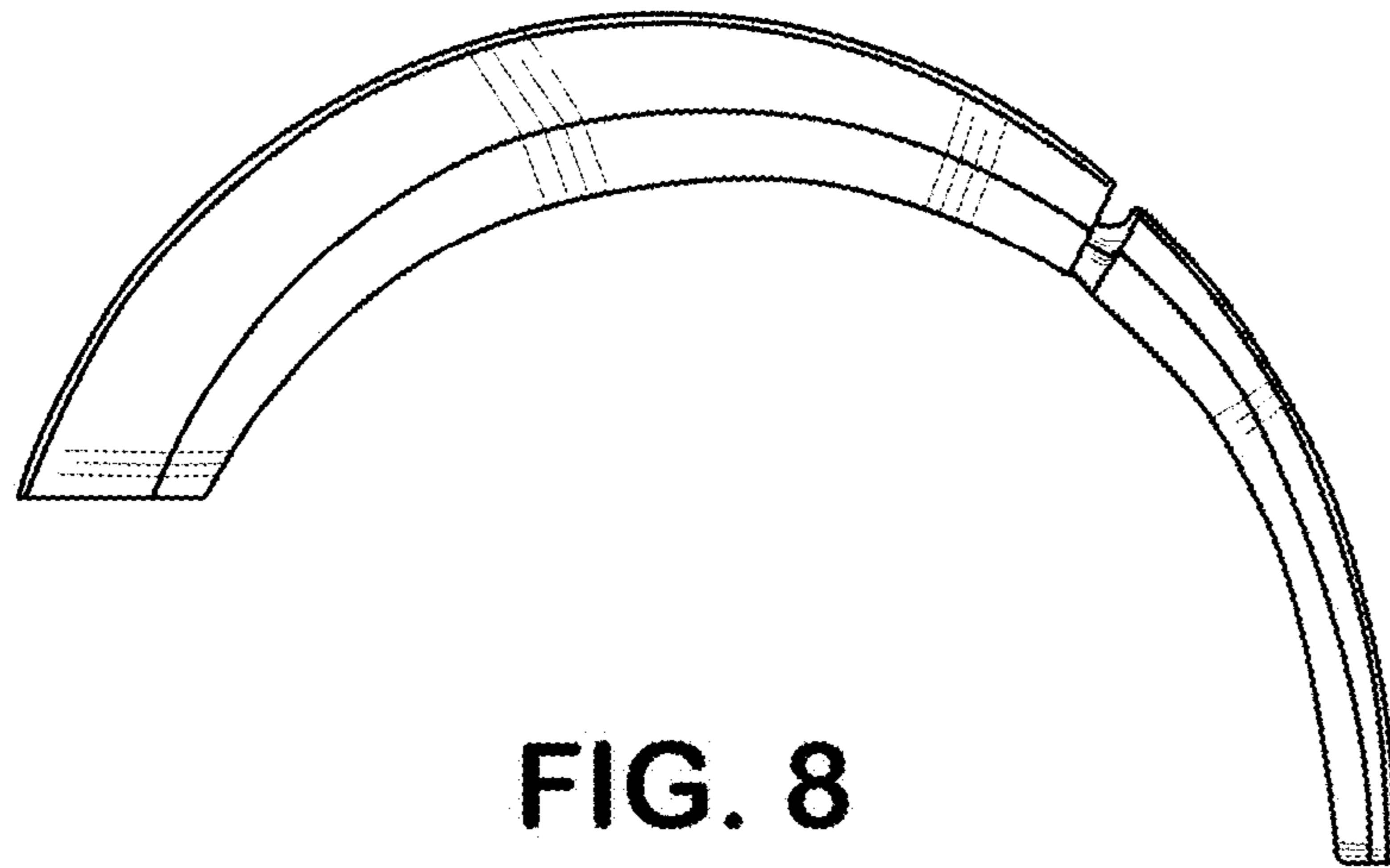


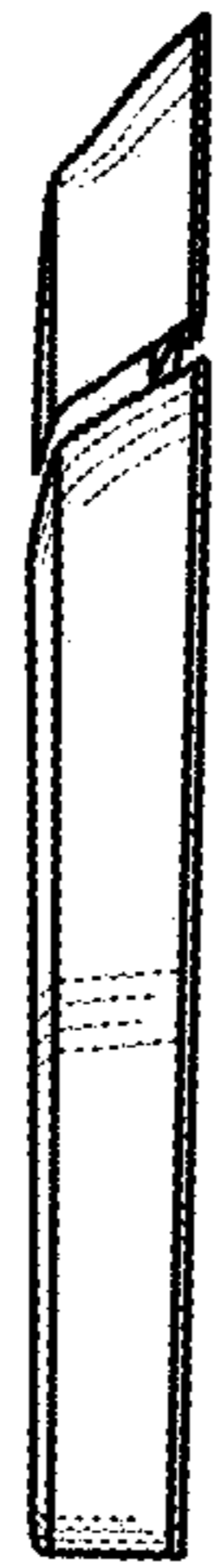
FIG. 6



FIG. 7



**FIG. 8**



**FIG. 9**



**FIG. 10**