



US00D801895S

(12) **United States Design Patent**
Bowyer et al.

(10) **Patent No.:** **US D801,895 S**

(45) **Date of Patent:** **** Nov. 7, 2017**

- (54) **BRAKE TORQUE PLATE**
- (71) Applicant: **SAF-HOLLAND, Inc.**, Holland, MI (US)
- (72) Inventors: **John Bowyer**, Whitehall, MI (US); **Edward Hammer**, Muskegon, MI (US); **Sean O'Brien**, Grand Haven, MI (US)
- (73) Assignee: **SAF-HOLLAND, Inc.**, Muskegon, MI (US)
- (**) Term: **15 Years**
- (21) Appl. No.: **29/540,194**
- (22) Filed: **Sep. 22, 2015**
- (51) **LOC (10) Cl.** **12-16**
- (52) **U.S. Cl.**
USPC **D12/180**
- (58) **Field of Classification Search**
USPC D12/107, 110, 114, 115, 117, 126, 160, D12/174, 177, 180, 189, 223, 400, 401, D12/404, 408, 415, 420, 423; D25/48.1, D25/48.3
CPC . B60R 1/025; B60R 1/08; B62H 5/001; B62J 9/006; B65D 43/16; B65D 43/22; B65D 55/02; F16D 55/22; F16D 55/226; F16D 55/2262; F16D 65/14; F16D 65/16; F16D 65/18; F16D 65/22; F16D 65/38; F16D 65/56; F16D 65/567; F16D 66/02; F21S 48/00; G01S 13/931
See application file for complete search history.

- 4,068,744 A * 1/1978 Markert F16D 55/2262 188/205 R
 - 4,093,044 A * 6/1978 Unterberg F16D 55/22655 188/206 R
 - 4,727,832 A * 3/1988 Miyamura F01L 1/181 123/90.39
 - D367,418 S * 2/1996 Lathrop D12/223
 - 5,727,659 A * 3/1998 Brown F16D 55/2262 188/72.7
 - D436,565 S * 1/2001 Tsay D12/192
- (Continued)

OTHER PUBLICATIONS

Torque Plate, image post date Apr. 3, 2015, site visited Jun. 23, 2017, (online), <<https://web.archive.org/web/20150403082619/http://www.hendrickson-intl.com/maxx22t/index.html>>.*

(Continued)

Primary Examiner — Kevin Rudzinski
Assistant Examiner — Sean D Lough
(74) *Attorney, Agent, or Firm* — Price Heneveld LLP

(57) **CLAIM**

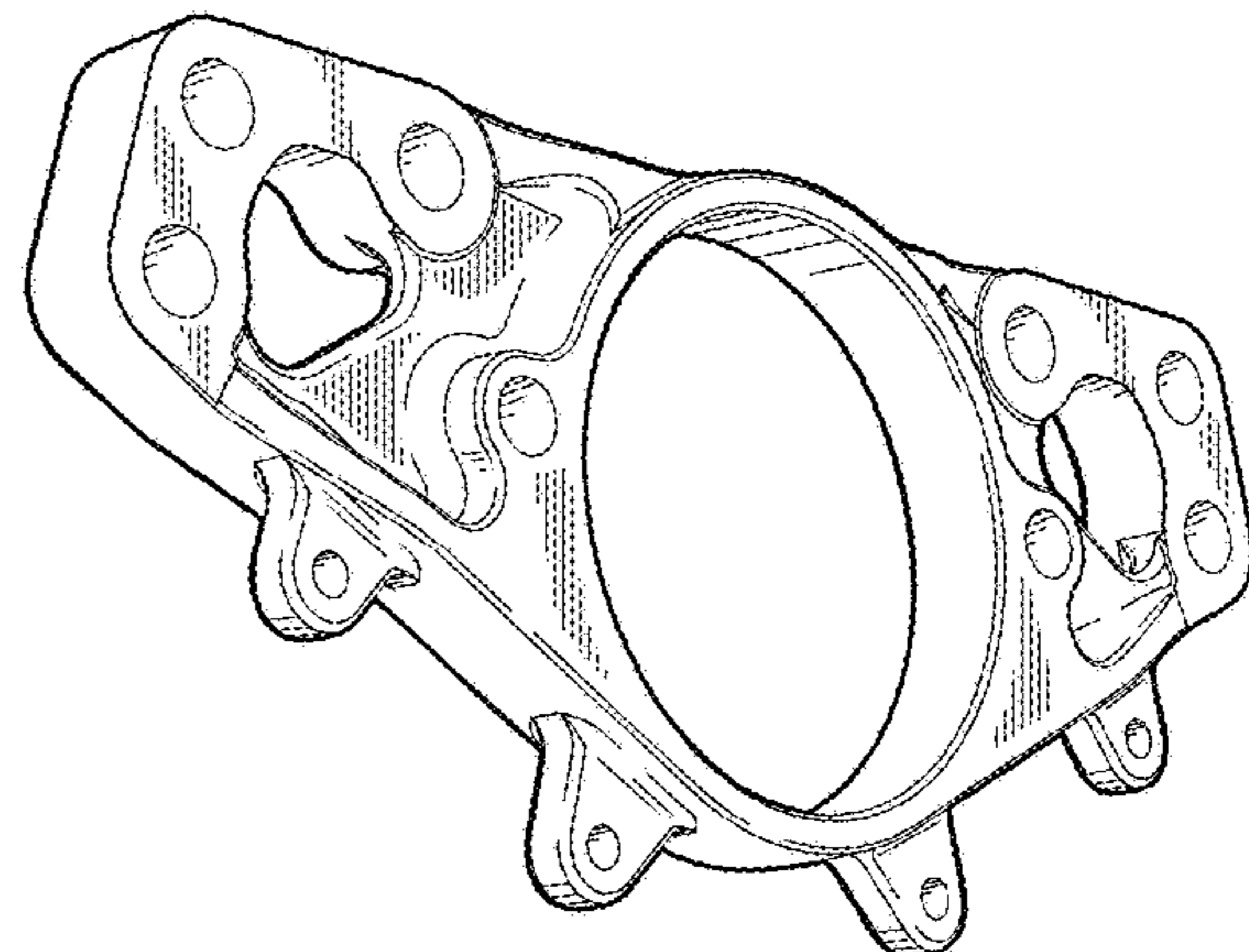
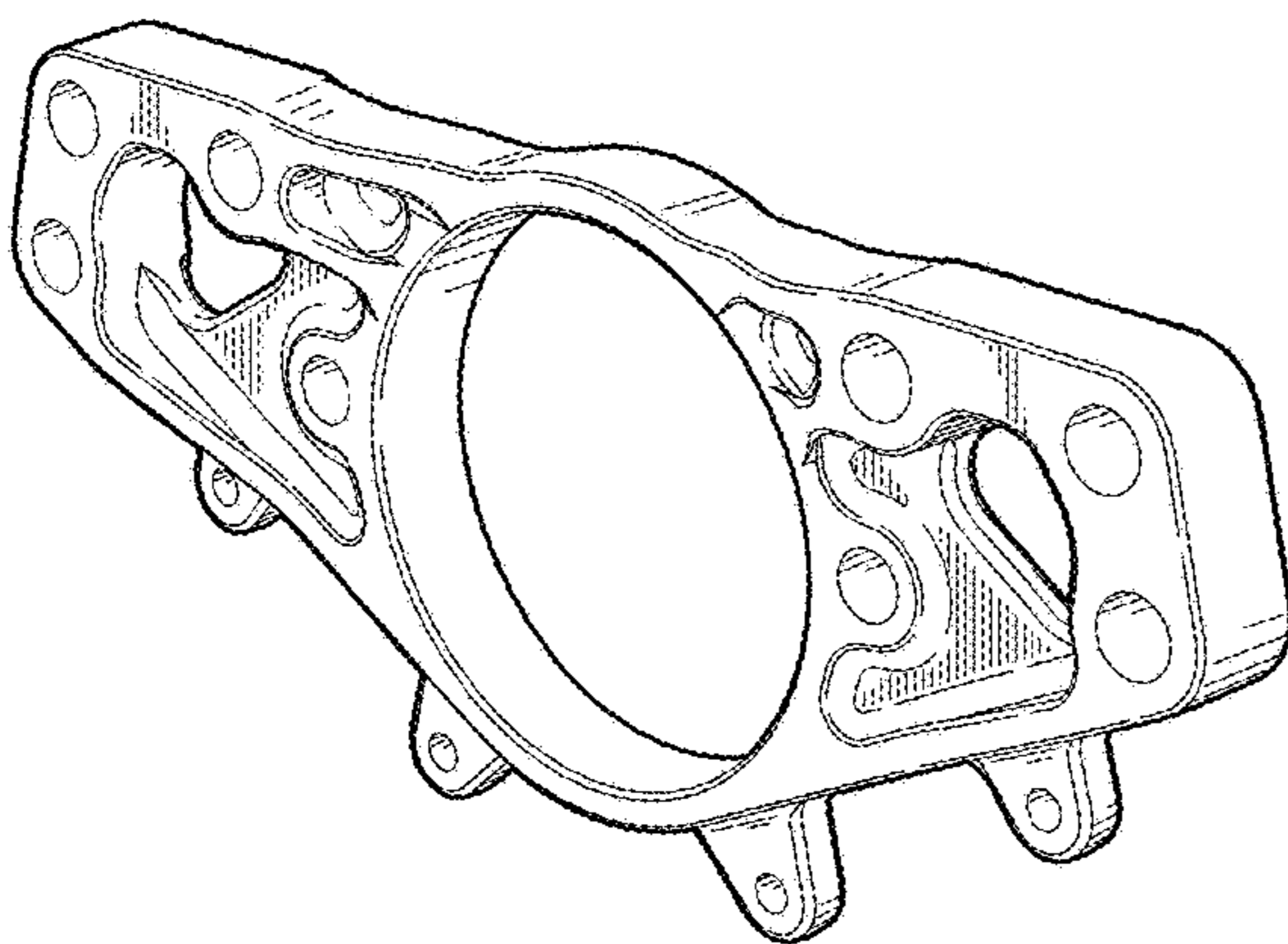
The ornamental design for the brake torque plate, as shown and described.

DESCRIPTION

FIG. 1 is a first perspective view of the brake torque plate showing the present invention; FIG. 2 is a second perspective view of the brake torque plate; FIG. 3 is a front elevation view of the brake torque plate; FIG. 4 is a first side elevation view of the brake torque plate; FIG. 5 is a second side elevation view of the brake torque plate; FIG. 6 is a rear elevation view of the brake torque plate; FIG. 7 is a top plan view of the brake torque plate; and, FIG. 8 is a bottom plan view of the brake torque plate.

1 Claim, 4 Drawing Sheets

- (56) **References Cited**
U.S. PATENT DOCUMENTS
3,730,306 A * 5/1973 Rath F16D 55/22 188/345
3,820,636 A * 6/1974 Kass F16D 65/56 188/196 BA



(56)

References Cited

U.S. PATENT DOCUMENTS

6,315,087 B1 * 11/2001 Bodin B60T 1/065
188/73.45
D454,828 S * 3/2002 Alder D12/223
6,722,476 B1 * 4/2004 Cornolti F16D 55/228
188/264 CC
D496,896 S * 10/2004 Tahira D12/192
D544,818 S * 6/2007 Costa D12/118
D562,112 S * 2/2008 Harrell D8/354
D587,284 S * 2/2009 Stopanio D15/5
D588,505 S * 3/2009 Couturet D12/111
D604,150 S * 11/2009 Lee D12/114
D608,718 S * 1/2010 Nas D12/223
D611,577 S * 3/2010 Waymire D12/218
D621,316 S * 8/2010 Tsukada D12/192
D628,130 S * 11/2010 Miyanishi D12/192
D629,337 S * 12/2010 Stahel, Jr. D12/126
D649,792 S * 12/2011 Nosworthy D6/315
D658,039 S * 4/2012 Ghatikar D8/354
D658,550 S * 5/2012 Madden D12/114
8,226,099 B2 * 7/2012 Koschinat B60B 35/006
280/124.116
D669,316 S * 10/2012 Sanders D24/197
D670,004 S * 10/2012 Nosworthy D25/68
D675,724 S * 2/2013 Kelly D23/400
D690,561 S * 10/2013 Sanders D24/198
8,851,048 B2 * 10/2014 Meistrick F01L 1/08
123/321
9,062,725 B2 * 6/2015 Morris F16D 55/226
D741,697 S * 10/2015 McGrath D8/382
9,174,506 B2 * 11/2015 Drewes B60G 7/001
D761,084 S * 7/2016 Cox D8/354
D761,325 S * 7/2016 Abed D15/5
D771,540 S * 11/2016 Hammer D12/180
D772,774 S * 11/2016 Yuan D12/223
9,656,702 B2 * 5/2017 Keatley B62D 21/02
2002/0007989 A1 * 1/2002 Matsuishi B60T 1/065
188/73.39
2003/0024501 A1 * 2/2003 McCarthy F01L 13/065
123/321
2006/0225974 A1 * 10/2006 Inada B60B 35/121
188/206 A

2006/0237267 A1 * 10/2006 Brown, II F16D 55/226
188/73.31
2007/0170018 A1 * 7/2007 Alexander F16D 65/0976
188/72.3
2008/0135352 A1 * 6/2008 Bell F16D 55/22
188/73.39
2009/0120740 A1 * 5/2009 Drewes F16D 55/22
188/73.39
2010/0307874 A1 * 12/2010 Suzuki F16D 55/22
188/72.4
2011/0042172 A1 * 2/2011 Drewes F16D 55/00
188/234
2012/0312641 A1 * 12/2012 Jang B62L 1/16
188/24.22
2013/0139580 A1 * 6/2013 Helf F16D 65/568
73/121
2014/0015214 A1 * 1/2014 Galazin B60G 9/003
280/124.128
2014/0345983 A1 * 11/2014 Baumgartner F16D 55/02
188/73.31
2015/0053516 A1 * 2/2015 Drewes F16D 51/20
188/219.1
2015/0144096 A1 * 5/2015 Meneely F01L 1/18
123/321
2015/0145228 A1 * 5/2015 Hock B60B 35/007
280/124.116
2016/0025018 A1 * 1/2016 Gustafson F01L 1/181
123/321
2016/0053840 A1 * 2/2016 Hayford F16D 65/22
74/567
2017/0175597 A1 * 6/2017 Cecur F01L 13/06

OTHER PUBLICATIONS

Pria rem jangkar plate 81502020108, image post date 1999, site visited Jun. 23, 2017, (online), <<https://indonesian.alibaba.com/product-detail/man-brake-anchor-plate-81502020108-1320146517.html>>.*
81.50202.0108 SHACMAN, image post date 1986, site visited Jun. 23, 2017, (online), <<http://euroauto.ru/firms/man/81502020108>>.*

* cited by examiner

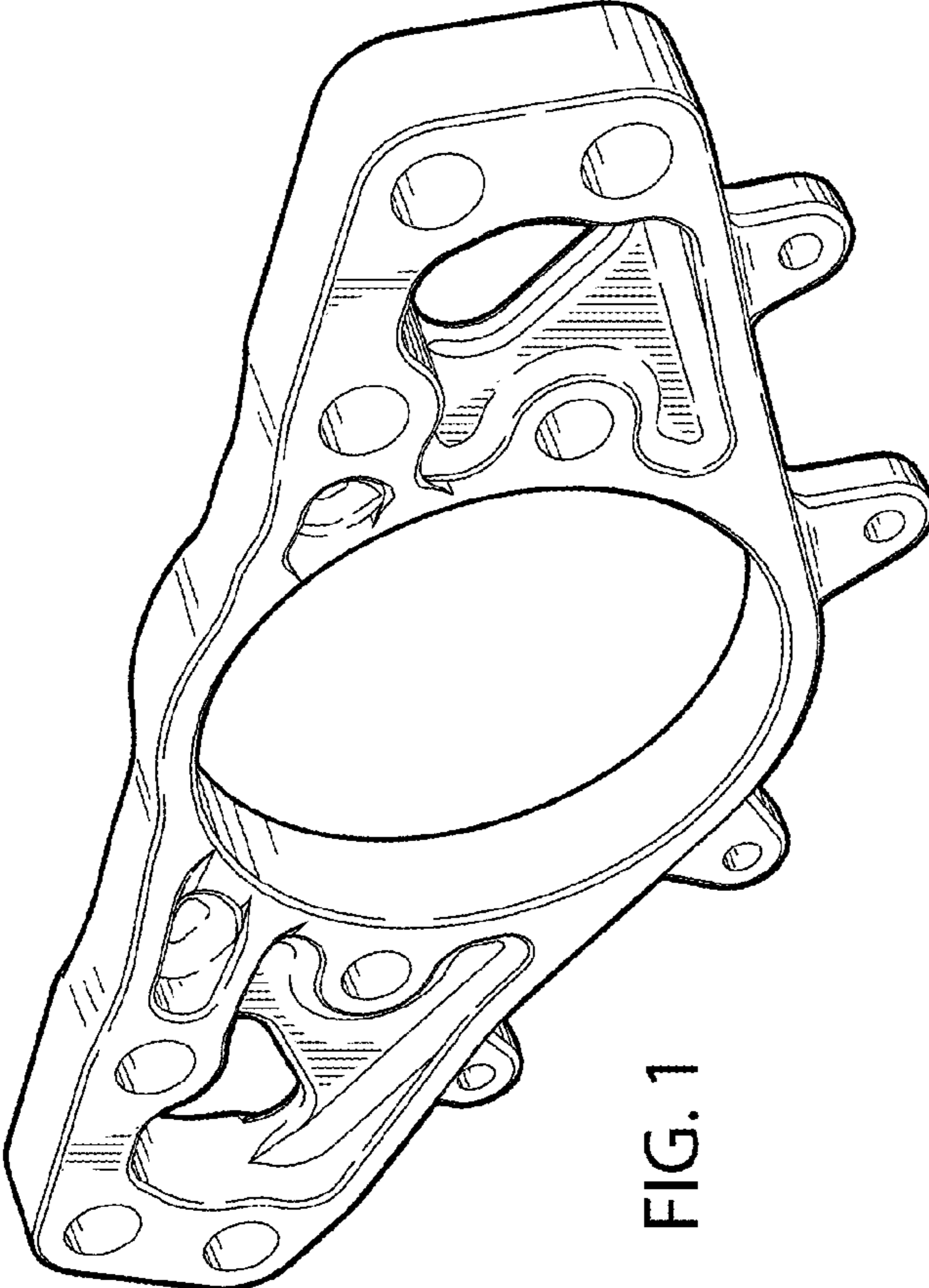


FIG. 1

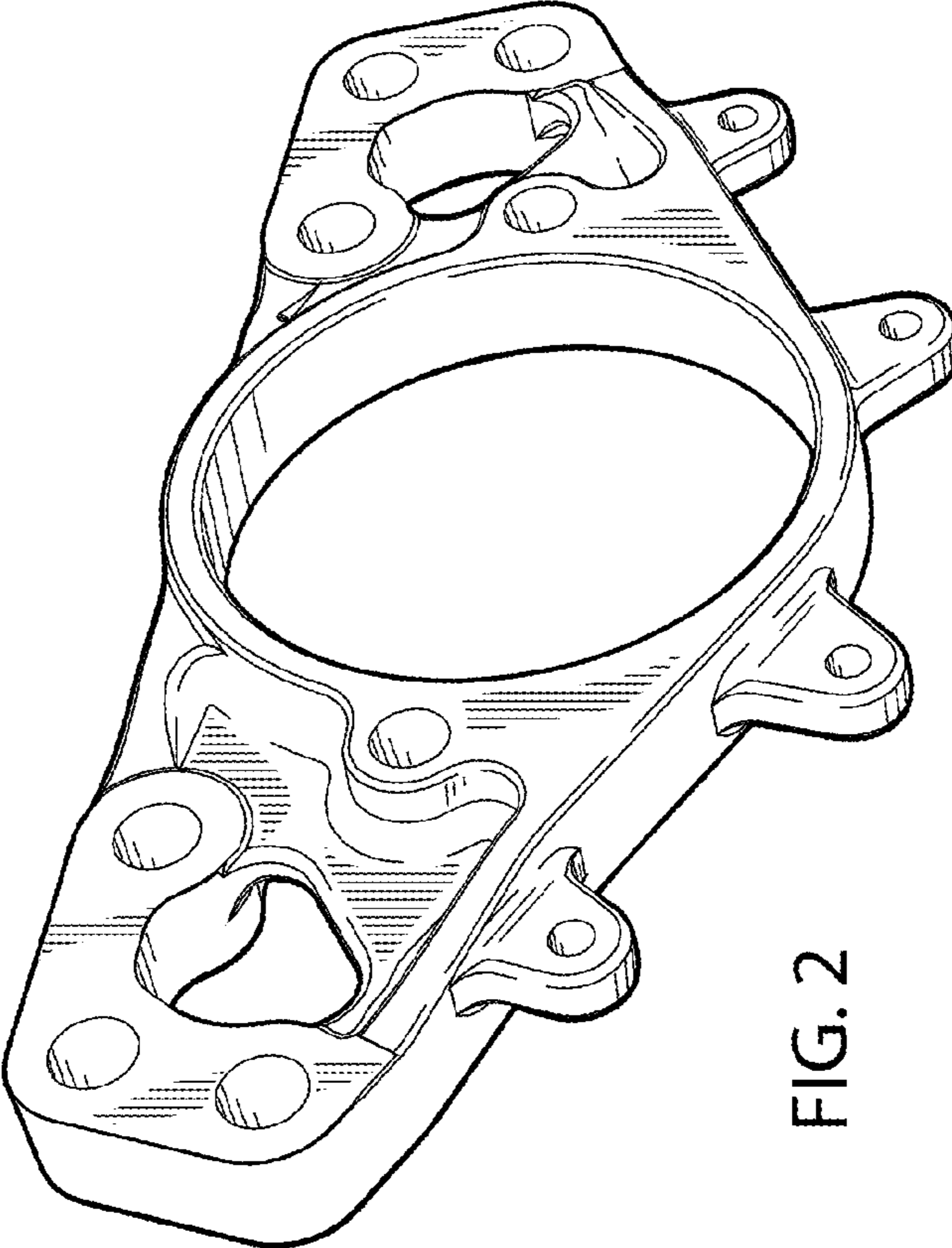


FIG. 2

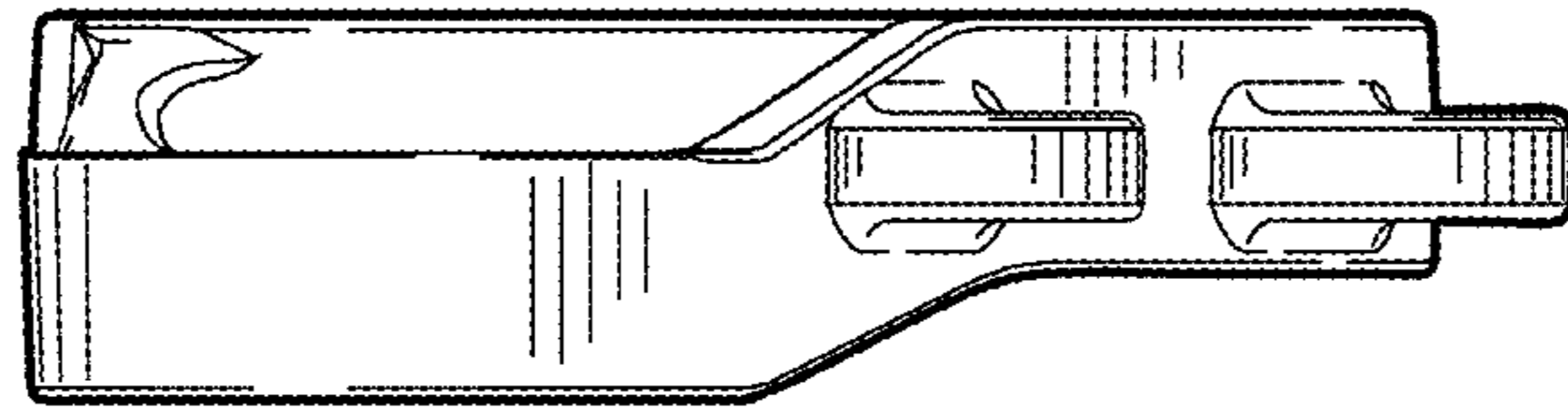


FIG. 4

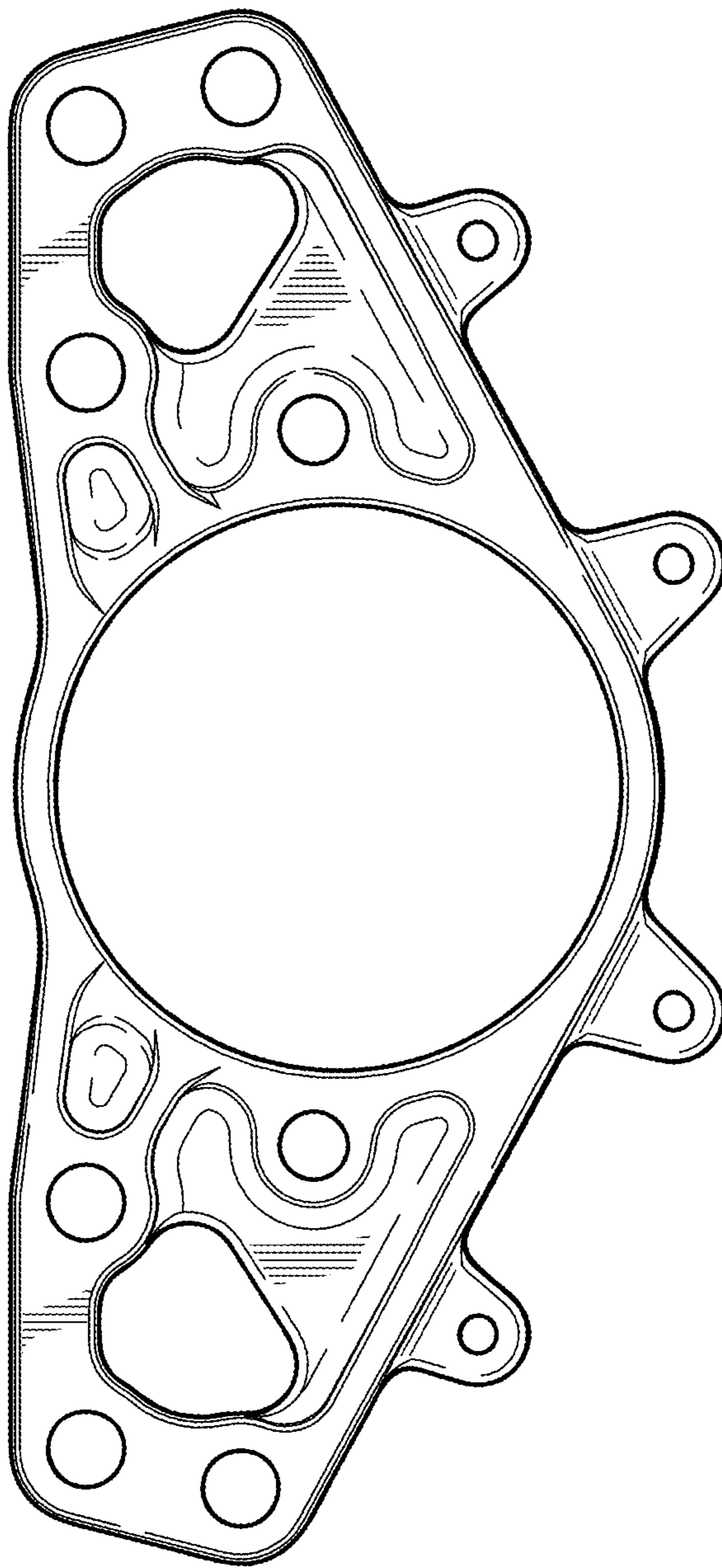


FIG. 3

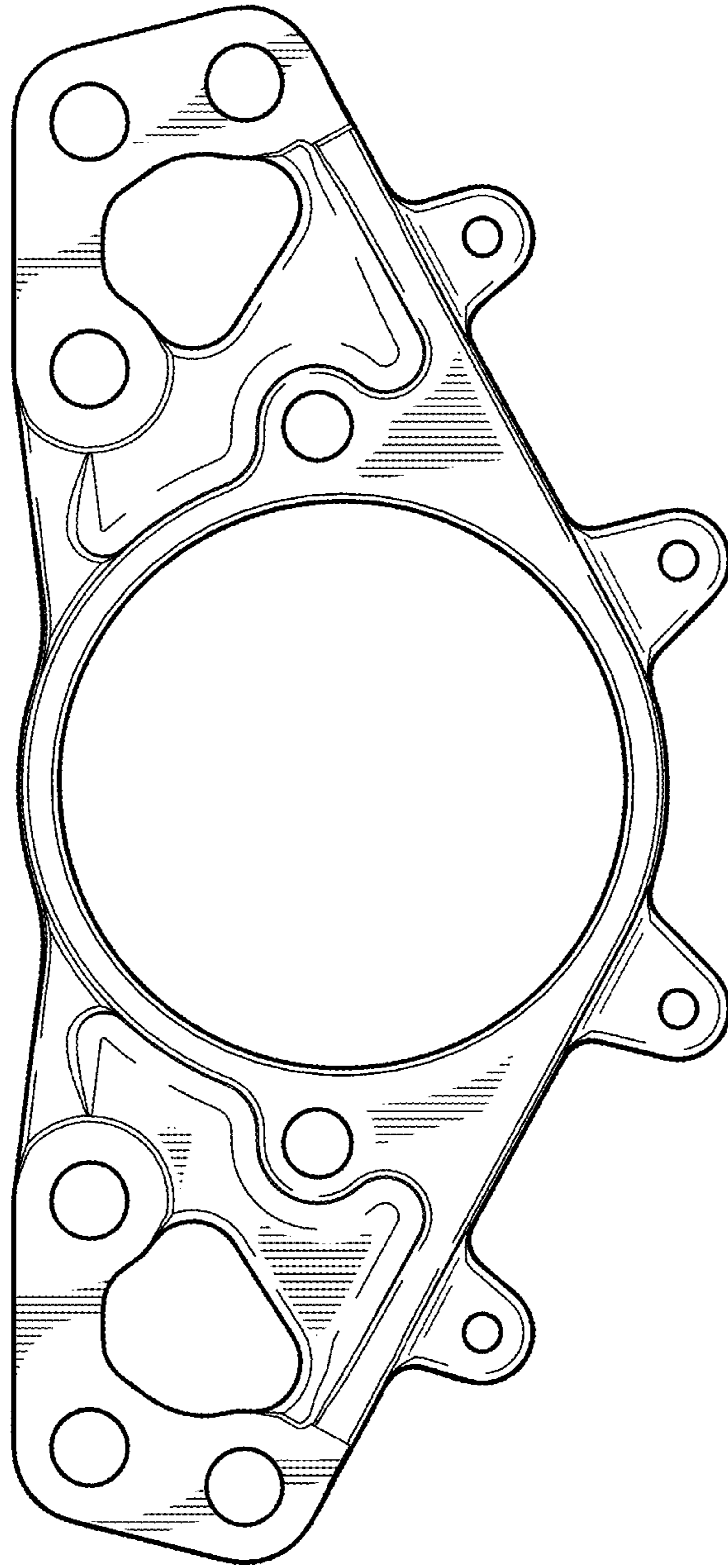


FIG. 6

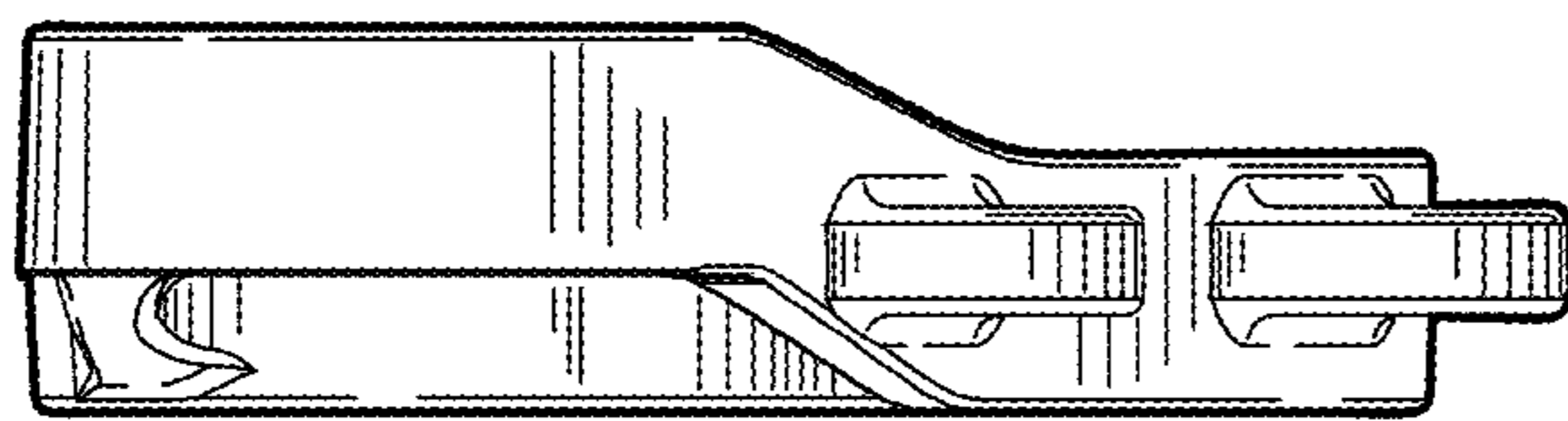


FIG. 5

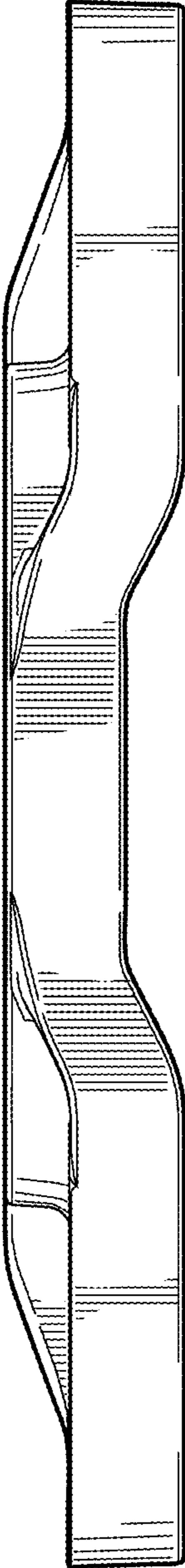


FIG. 7

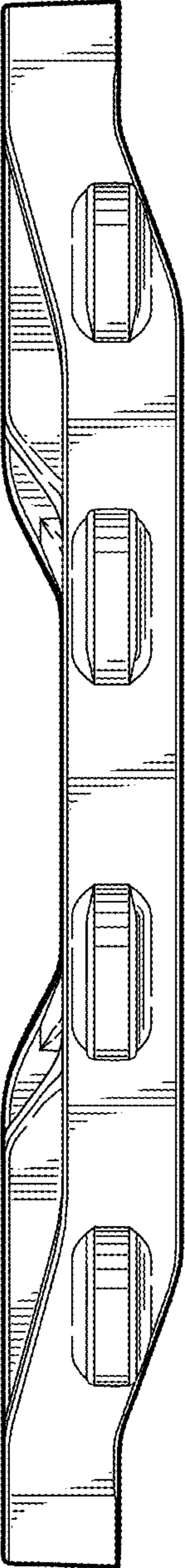


FIG. 8