

US00D801894S

(12) **United States Design Patent** (10) **Patent No.:** **US D801,894 S**
Kasano (45) **Date of Patent:** **** Nov. 7, 2017**

(54) **STEERING WHEEL FOR AN AUTOMOBILE**

(71) Applicant: **Fuji Jukogyo Kabushiki Kaisha,**
Tokyo (JP)

(72) Inventor: **Mondo Kasano,** Tokyo (JP)

(73) Assignee: **Subaru Corporation,** Tokyo (JP)

(**) Term: **15 Years**

(21) Appl. No.: **29/576,374**

(22) Filed: **Sep. 2, 2016**

(30) **Foreign Application Priority Data**

Mar. 4, 2016 (JP) 2016004934

(51) **LOC (10) Cl.** **12-16**

(52) **U.S. Cl.**
USPC **D12/176**

(58) **Field of Classification Search**
USPC D12/175, 176; 74/552, 558, 558.5
CPC B60R 21/203; B60R 21/05; B62D 1/04
See application file for complete search history.

(56) **References Cited**

U.S. PATENT DOCUMENTS

D635,900 S *	4/2011	Anzi	D12/176
D640,619 S *	6/2011	Araki	D12/176
D651,542 S *	1/2012	Nagasawa	D12/176
D651,543 S *	1/2012	Ali	D12/176
D653,180 S *	1/2012	Tanaka	D12/176
D692,813 S *	11/2013	Koyama	D12/175
D696,992 S *	1/2014	Pohanka	D12/176

D706,186 S *	6/2014	Fukaya	D12/176
D706,187 S *	6/2014	Tilscher	D12/176
D709,006 S *	7/2014	Busse	D12/176
D727,226 S *	4/2015	Mayerle	D12/176
D741,759 S *	10/2015	Persson	D12/176
D743,860 S *	11/2015	Nagumo	D12/176
D758,933 S *	6/2016	Owaku	D12/176
D760,134 S *	6/2016	Montousse	D12/176
D772,124 S *	11/2016	Lee	D12/176
D772,769 S *	11/2016	Hamanaga	D12/176
D787,390 S *	5/2017	Kanda	D12/176
D789,261 S *	6/2017	Goedecke	D12/176

* cited by examiner

Primary Examiner — Melody N Brown

(74) *Attorney, Agent, or Firm* — Schiff Hardin LLP

(57) **CLAIM**

I claim the ornamental design for a steering wheel for an automobile thereof, as shown and described.

DESCRIPTION

FIG. 1 is a front perspective view for a “steering wheel for an automobile” showing my new design, FIG. 2 is a rear perspective view thereof, FIG. 3 is a front view thereof, FIG. 4 is a rear view thereof, FIG. 5 is a top view thereof, FIG. 6 is a bottom view thereof, FIG. 7 is a left-side view thereof; and, FIG. 8 is a right-side view thereof.

1 Claim, 6 Drawing Sheets



Fig. 1



Fig. 2

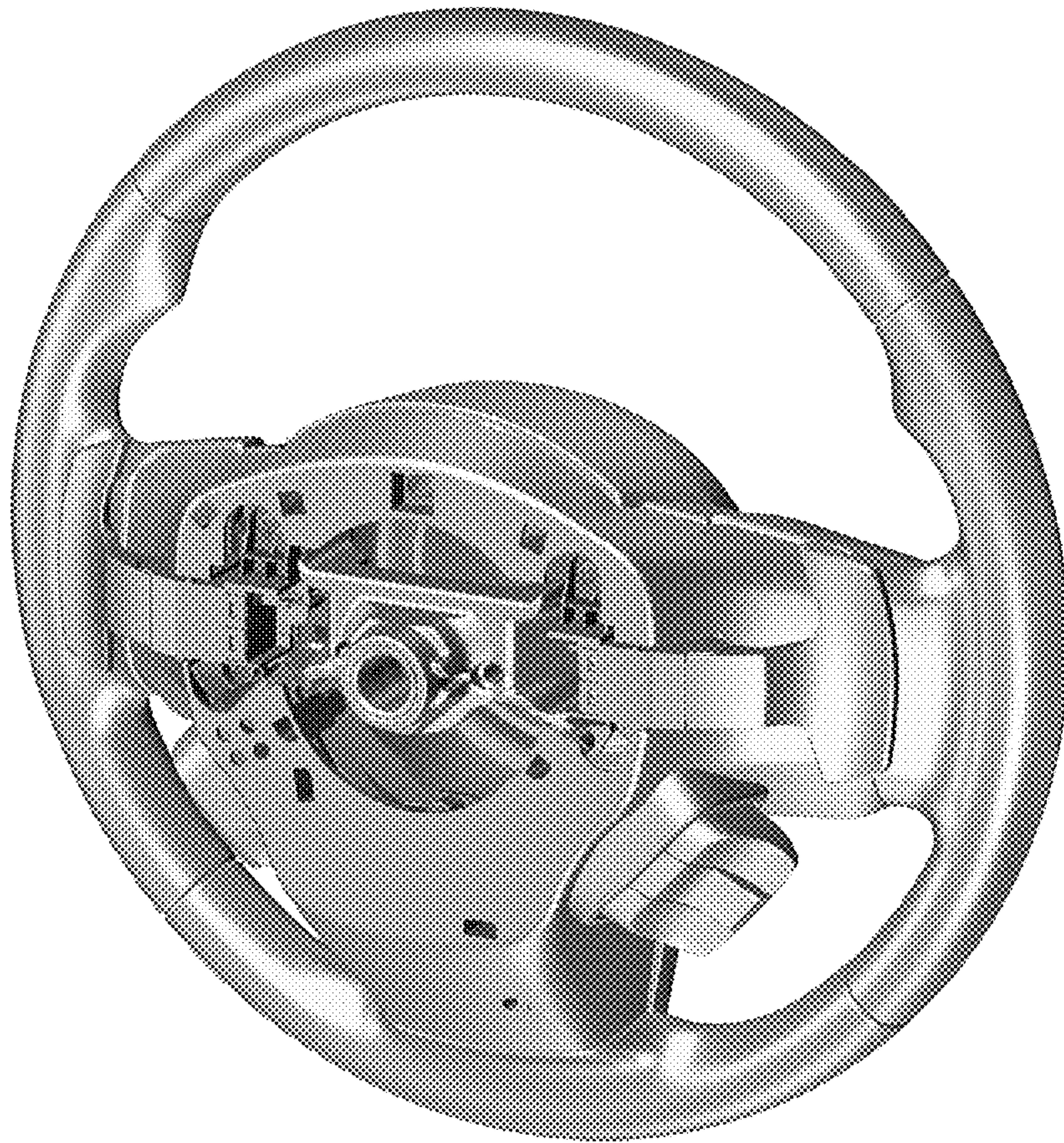


Fig. 3



Fig. 4



Fig. 5

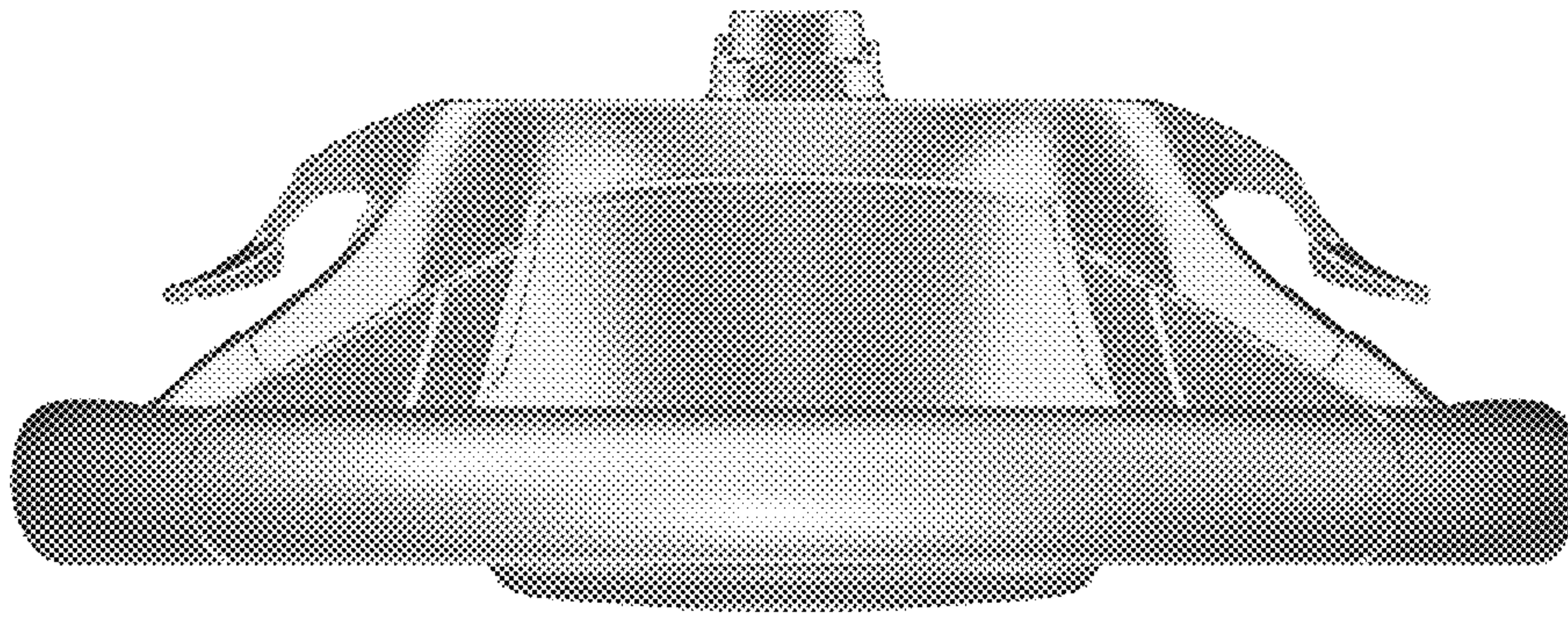


Fig. 6

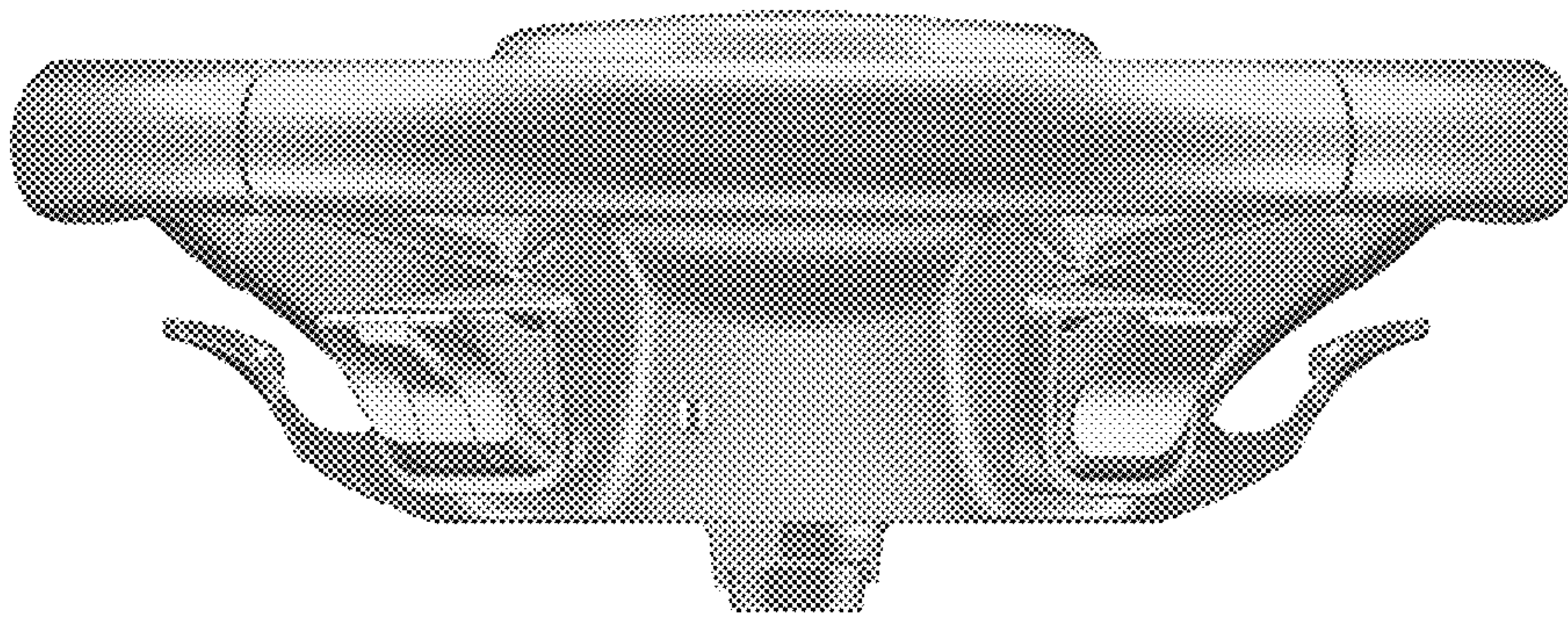


Fig. 7

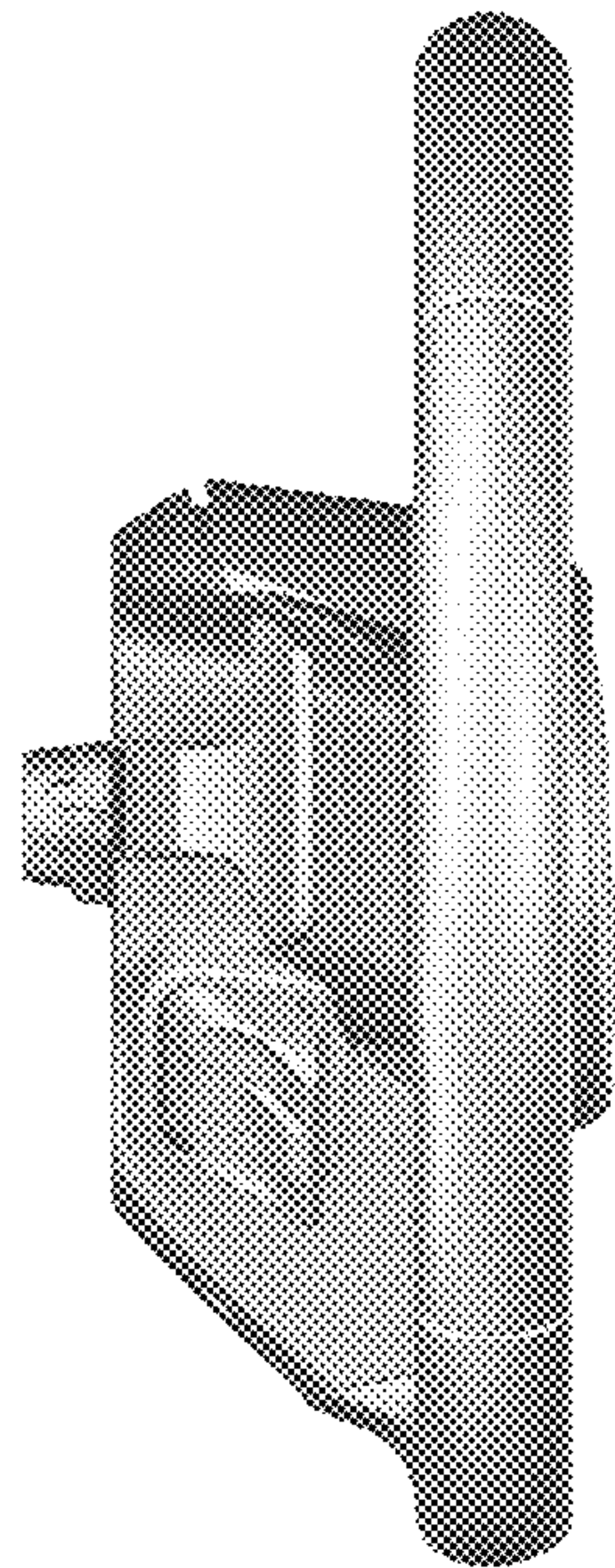


Fig. 8

