



US00D801892S

(12) **United States Design Patent** (10) **Patent No.:** **US D801,892 S**
Drever (45) **Date of Patent:** **** Nov. 7, 2017**

(54) **GRILL GUARD**
(71) Applicant: **Excel Concepts**, Ankeny, IA (US)
(72) Inventor: **Jeremy Drever**, Ankeny, IA (US)
(73) Assignee: **Excel Concepts**, Ankeny, IA (US)
(**) Term: **15 Years**
(21) Appl. No.: **29/553,410**
(22) Filed: **Feb. 1, 2016**
(51) **LOC (10) Cl.** **12-16**
(52) **U.S. Cl.**
USPC **D12/171**
(58) **Field of Classification Search**
USPC D12/86, 90, 91, 92, 163, 164, 169, 171,
D12/196, 216; D21/533, 538, 541, 542,
D21/548, 549, 551, 562
CPC B60R 19/02; B60R 19/18; B60R 19/24;
B60R 19/56; B60R 2019/007
See application file for complete search history.

D416,219 S * 11/1999 Waagenaar D12/171
D422,952 S * 4/2000 Waagenaar D12/171
D422,953 S * 4/2000 Waagenaar D12/171
D425,462 S * 5/2000 Ujiie D12/171
D440,530 S * 4/2001 Geisler D12/171
D476,606 S * 7/2003 Hamm D12/169
D483,708 S * 12/2003 Roehmer D12/171
D485,219 S * 1/2004 Hamm D12/169
D523,383 S * 6/2006 Fox D12/171
D528,481 S * 9/2006 Taveras D12/171
D551,138 S * 9/2007 Storer D12/171
D557,179 S * 12/2007 Manalac D12/114
D572,180 S * 7/2008 Storer D12/171
D577,319 S * 9/2008 Storer D12/171
D614,095 S * 4/2010 Fretz D12/171
D614,096 S * 4/2010 Fretz D12/171
D640,618 S * 6/2011 Lorenzo D12/171

(Continued)

Primary Examiner — Darlington Ly
(74) *Attorney, Agent, or Firm* — Davis, Brown, Koehn,
Shors & Roberts, P.C.; Sean D. Solberg

(57) **CLAIM**

The ornamental design for a grill guard, as shown and described.

(56) **References Cited**

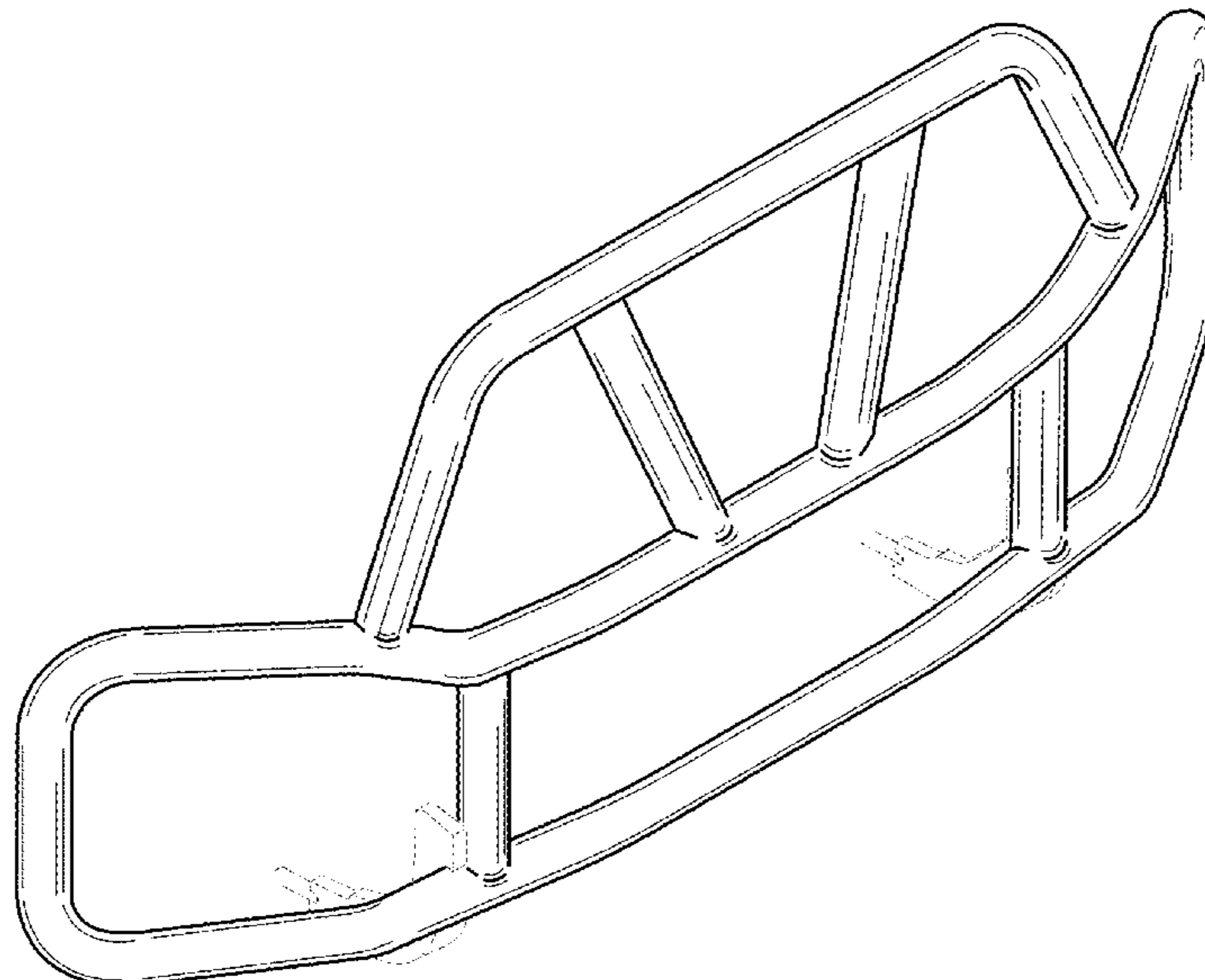
U.S. PATENT DOCUMENTS

D157,318 S * 2/1950 Bailey 293/115
D159,437 S * 7/1950 Phillips 293/115
D280,398 S * 9/1985 Milton D12/171
D300,420 S * 3/1989 Trinnaman D12/171
D307,256 S * 4/1990 Holland D12/171
D333,457 S * 2/1993 La Foe D12/171
D361,316 S * 8/1995 Orth, Sr. D12/171
D363,267 S * 10/1995 Gustavsen D12/107
D376,782 S * 12/1996 Kincart D12/171
D383,719 S * 9/1997 Thorne D12/171
D384,624 S * 10/1997 Kincart D12/171
D384,625 S * 10/1997 Thorne D12/171
D388,042 S * 12/1997 Thorne D12/171
D396,678 S * 8/1998 Shklyaver D12/171
D410,879 S * 6/1999 Orth, Sr. D12/171

DESCRIPTION

FIG. 1 is a top, front, and right side perspective view of a grill guard showing my new design;
FIG. 2 is a top, rear, and right side perspective view thereof;
FIG. 3 is a front elevation view thereof;
FIG. 4 is a rear elevation view thereof;
FIG. 5 is a right side elevation view thereof;
FIG. 6 is a left side elevation view thereof;
FIG. 7 is a top plan view thereof; and,
FIG. 8 is a bottom plan view thereof.
The broken line showing a pair of brackets are for the purpose of illustrating portions of the grill guard and form no part of the claimed design.

1 Claim, 6 Drawing Sheets



(56)

References Cited

U.S. PATENT DOCUMENTS

D689,417 S * 9/2013 Shelters D12/171
D726,605 S * 4/2015 Schroeder D12/171
9,108,581 B2 * 8/2015 Perez B60Q 1/0005
D786,745 S * 5/2017 Zeng D12/167
2009/0212581 A1 * 8/2009 Drever B60R 19/52
293/115
2010/0314891 A1 * 12/2010 Acosta F41H 7/04
293/115
2013/0187395 A1 * 7/2013 Hanson B60R 19/52
293/115

* cited by examiner

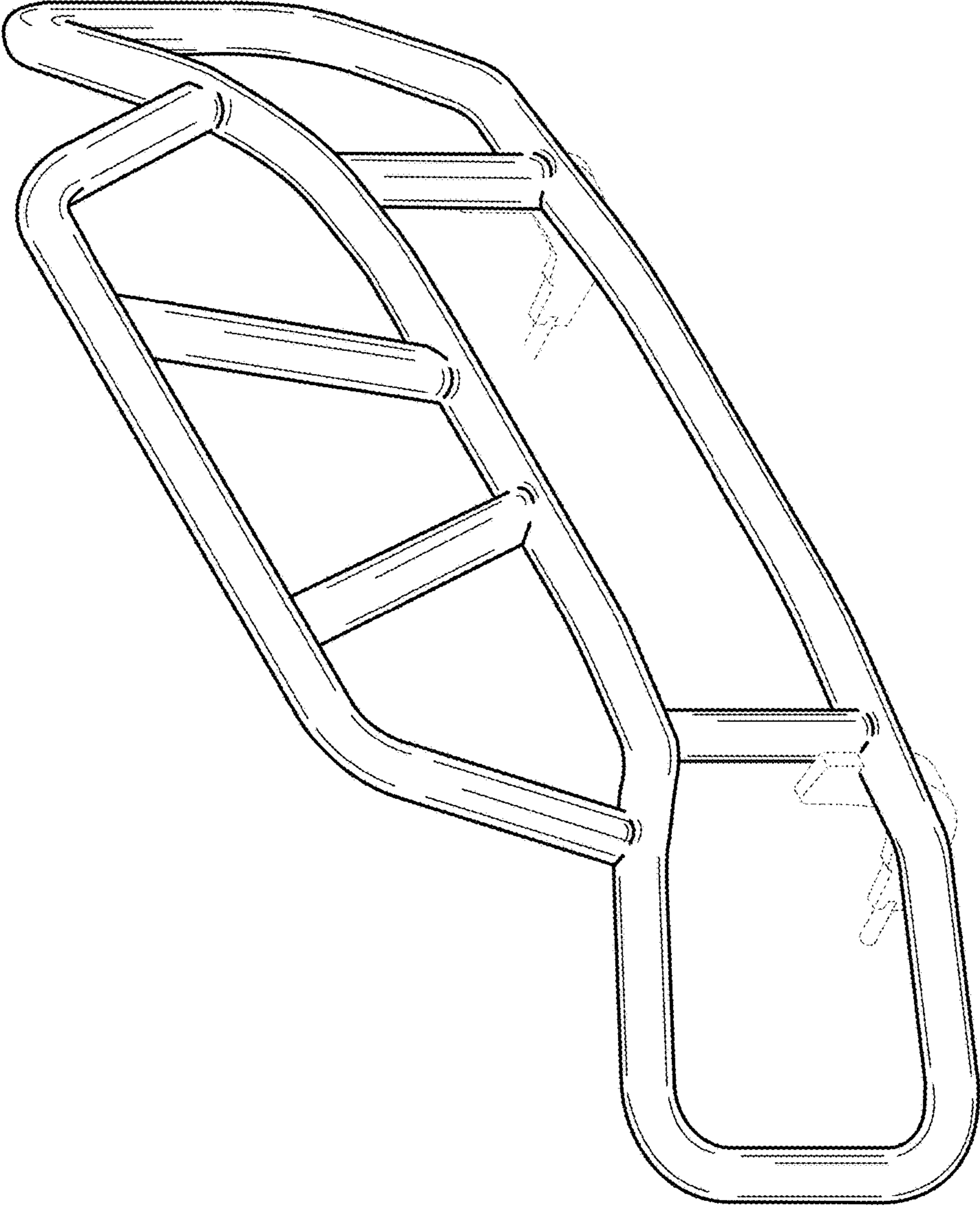


Fig. 1

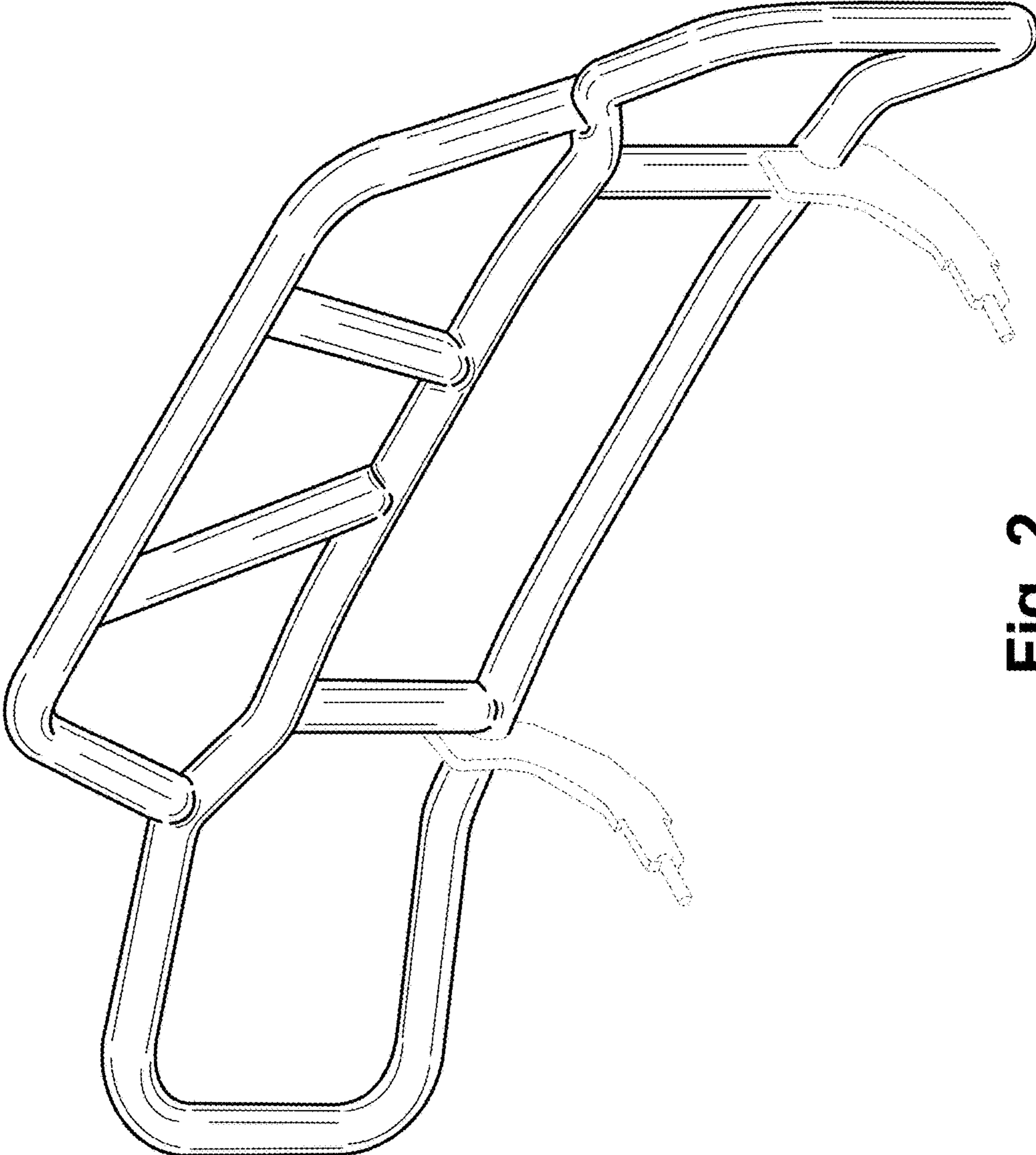


Fig. 2

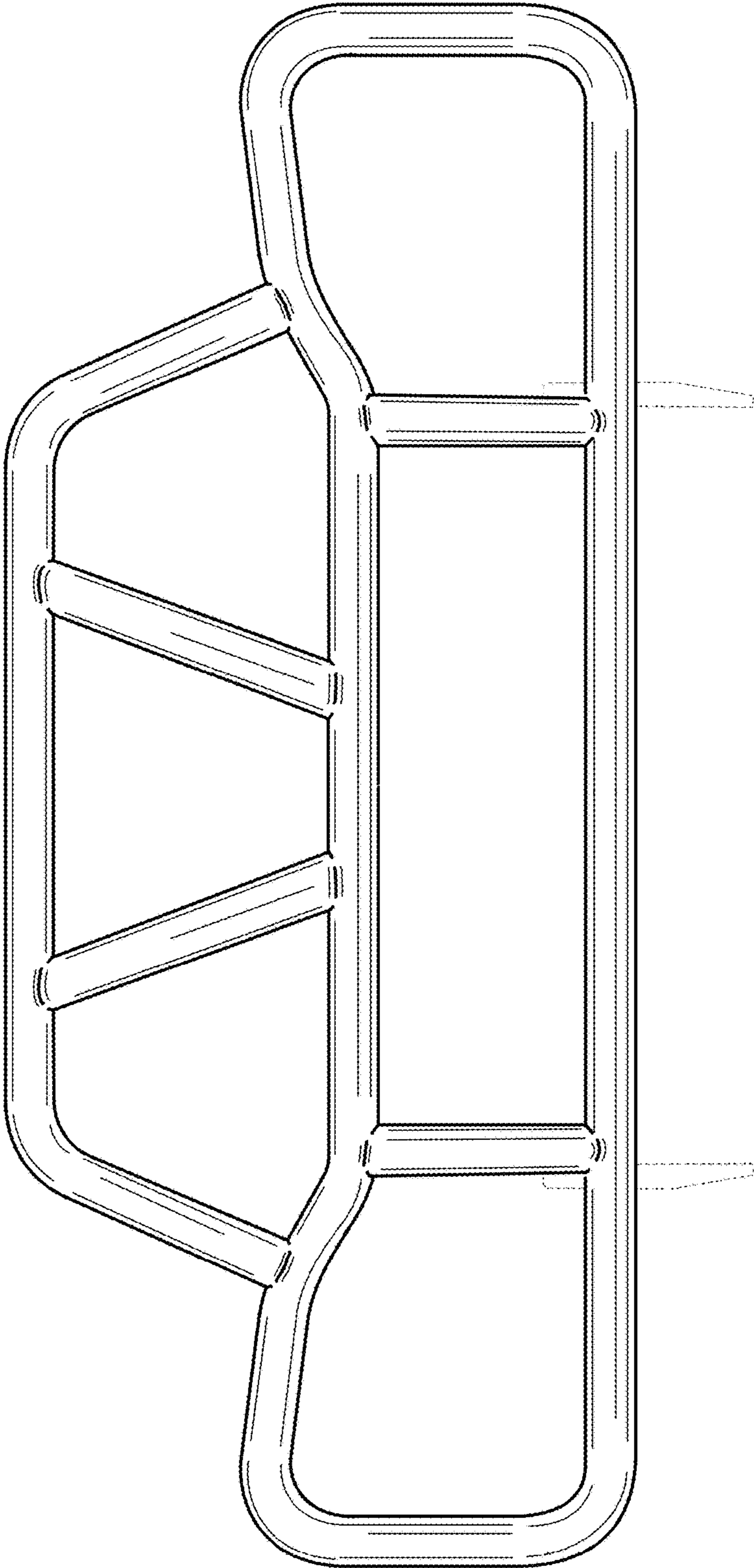


Fig. 3

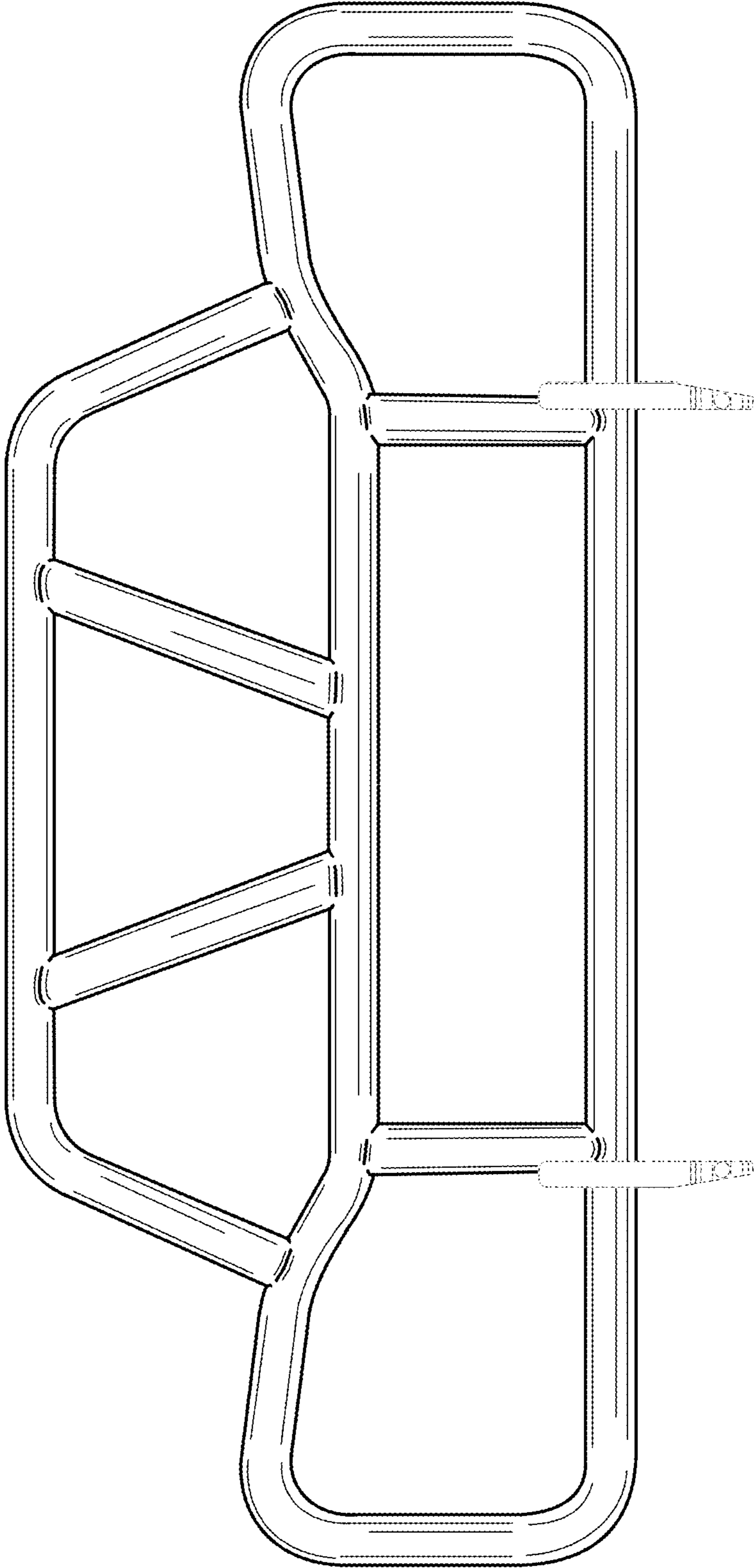


Fig. 4

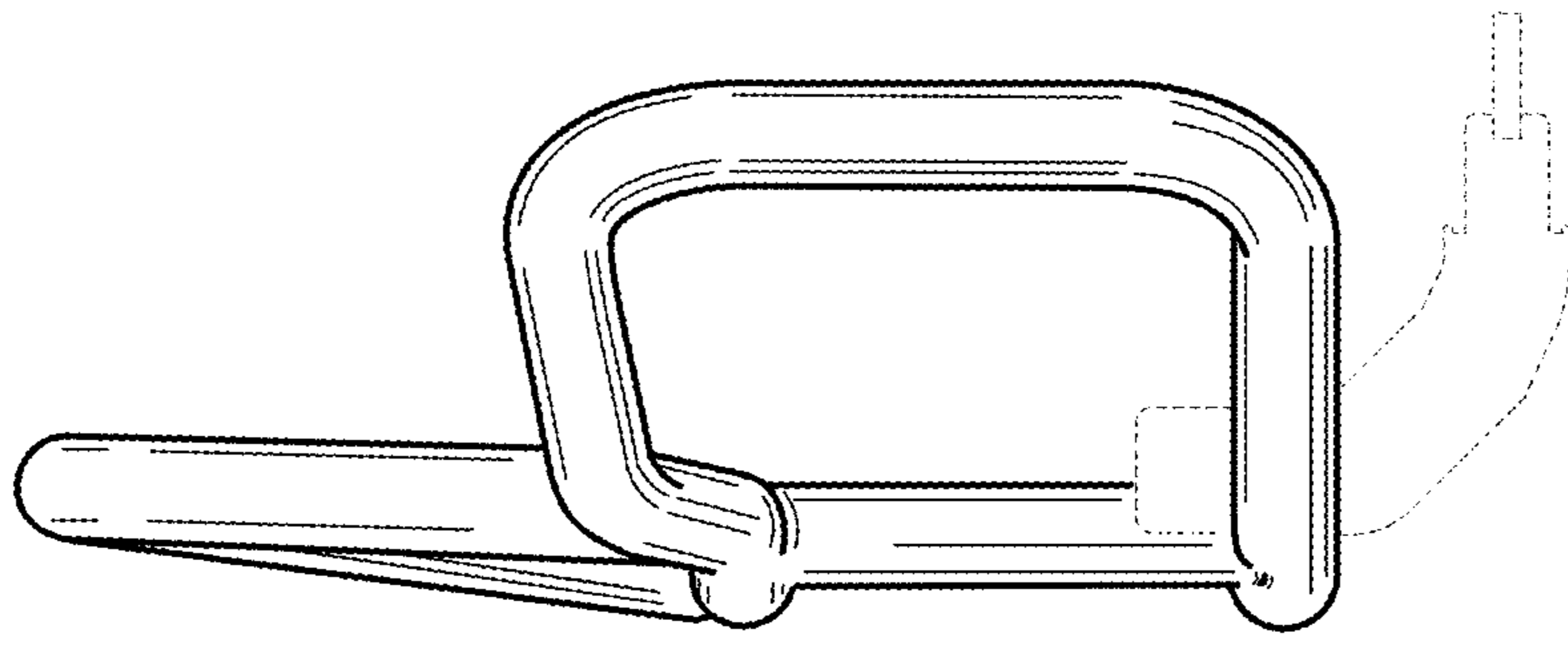


Fig. 5

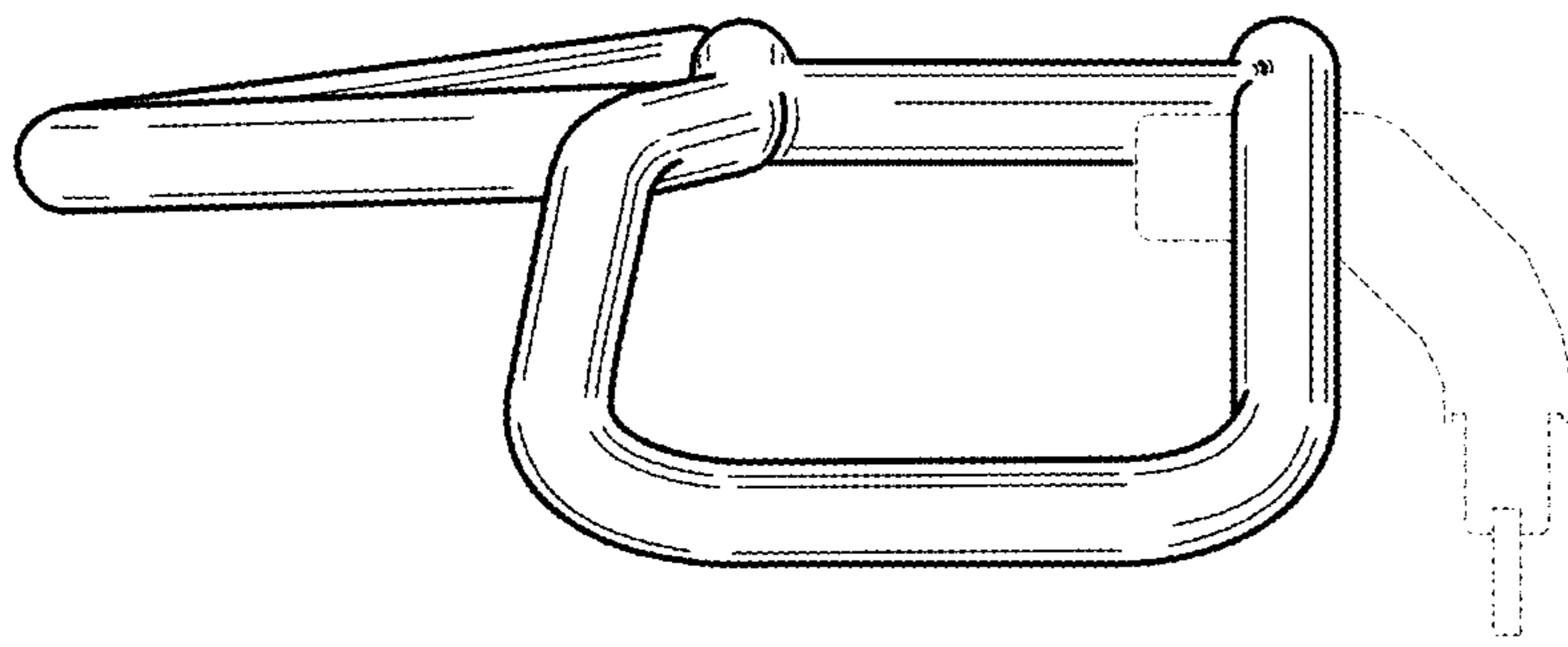


Fig. 6

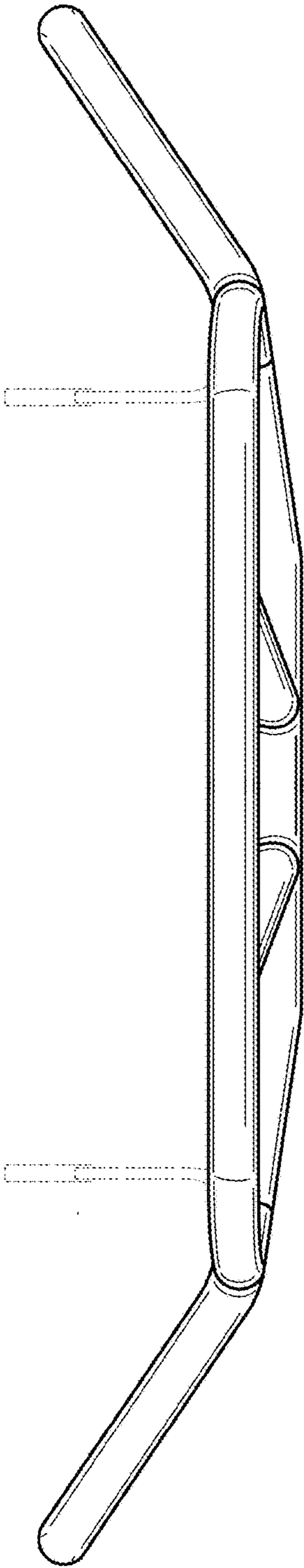


Fig. 7

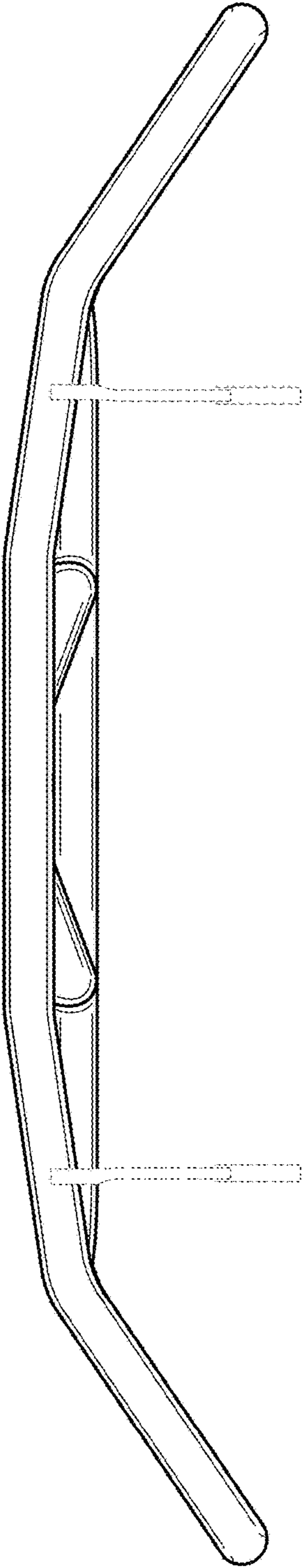


Fig. 8