



US00D801889S

(12) **United States Design Patent** (10) **Patent No.:** **US D801,889 S**
Han (45) **Date of Patent:** **** Nov. 7, 2017**

(54) **REAR BUMPER LOWER FASCIA OF CAR**
(71) Applicant: **GM GLOBAL TECHNOLOGY OPERATIONS LLC**, Detroit, MI (US)
(72) Inventor: **Hongchul Han**, Incheon (KR)
(73) Assignee: **GM GLOBAL TECHNOLOGY OPERATIONS LLC**, Detroit, MI (US)

D743,853 S * 11/2015 Blanski D12/169
D749,467 S * 2/2016 Stopka D12/169
D749,470 S * 2/2016 Behmer D12/169
D751,008 S * 3/2016 Behmer D12/169
D751,009 S * 3/2016 Behmer D12/169
D751,010 S * 3/2016 Behmer D12/169
D760,630 S * 7/2016 Rugar D12/169
D763,744 S * 8/2016 Behmer D12/169
D771,534 S * 11/2016 Bucher D12/169

* cited by examiner

(**) Term: **15 Years**
(21) Appl. No.: **29/578,067**
(22) Filed: **Sep. 19, 2016**

Primary Examiner — Melody N Brown
(74) *Attorney, Agent, or Firm* — Browdy and Neimark, PLLC

(30) **Foreign Application Priority Data**

Mar. 18, 2016 (KR) 30-2016-0012841

(51) **LOC (10) Cl.** **12-16**
(52) **U.S. Cl.**
USPC **D12/169**

(58) **Field of Classification Search**
USPC D12/169, 216, 90-92, 86, 171, 196, 163;
293/102, 113, 115, 117, 120; 296/180.1,
296/180.2
CPC B60R 19/02; B60R 19/04; B62D 25/08
See application file for complete search history.

(56) **References Cited**

U.S. PATENT DOCUMENTS

D678,146 S * 3/2013 Behmer D12/169
D738,269 S * 9/2015 Blanski D12/169

(57) **CLAIM**

The ornamental design for a rear bumper lower fascia of car, as shown and described.

DESCRIPTION

FIG. 1 is a perspective view of a rear bumper lower fascia of car showing my new design;
FIG. 2 is a front elevation view thereof;
FIG. 3 is a rear elevation view thereof;
FIG. 4 is a side elevational view thereof;
FIG. 5 is an opposite elevational view thereof;
FIG. 6 is a top plan view thereof;
FIG. 7 is a bottom plan view thereof; and,
FIG. 8 is another perspective view thereof.

1 Claim, 8 Drawing Sheets

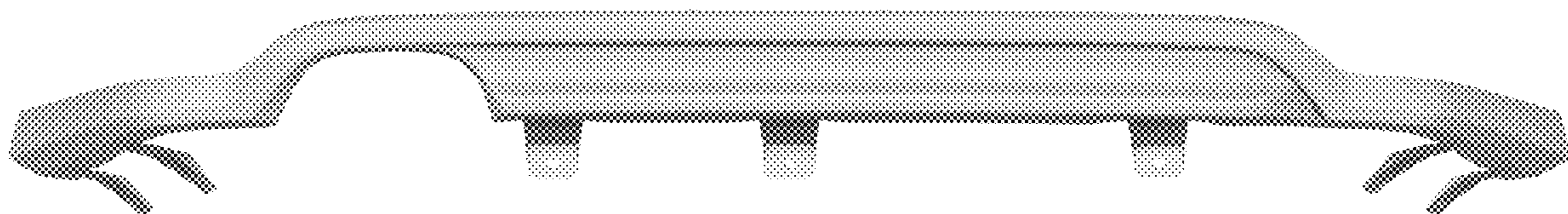


FIG. 1

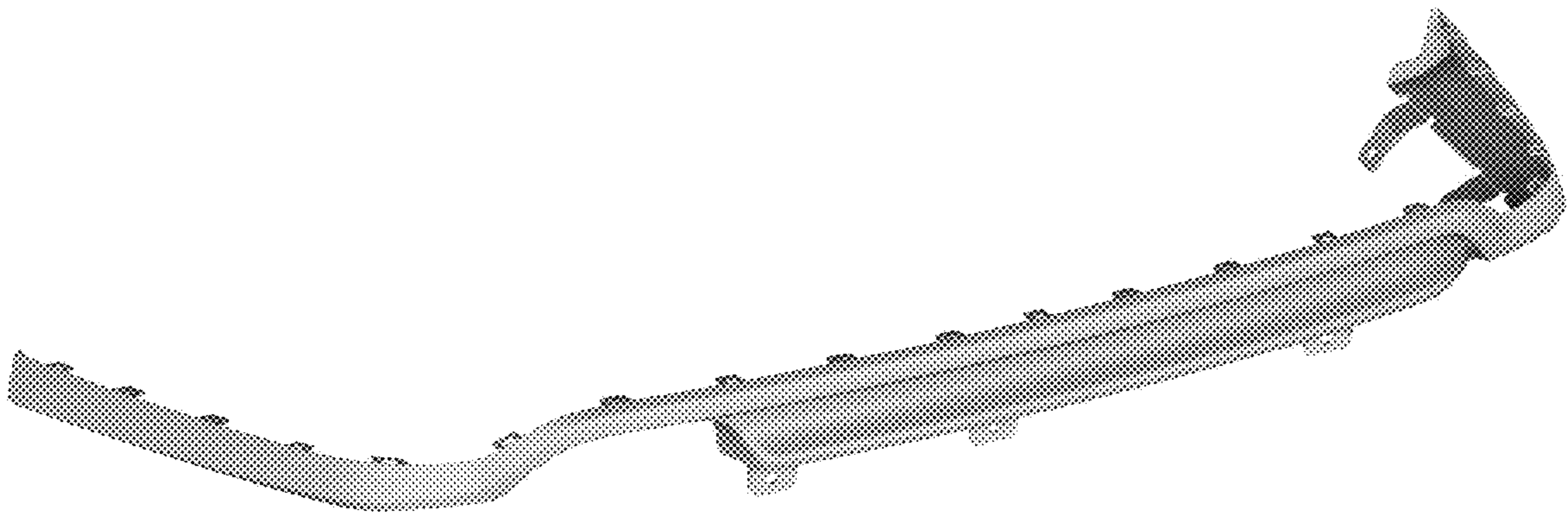


FIG. 2

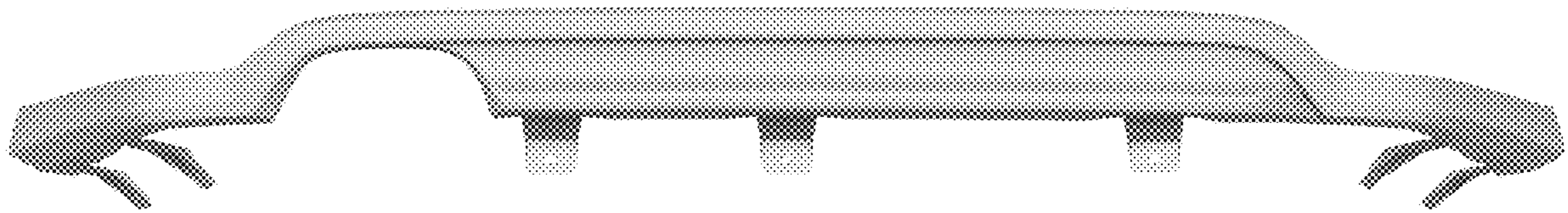


FIG. 3

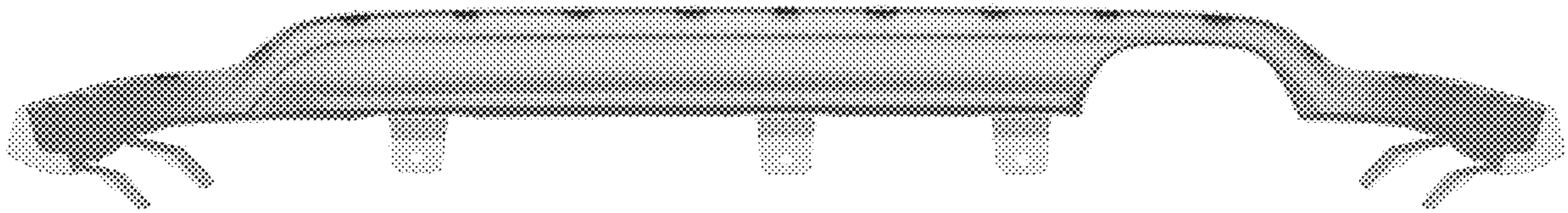


FIG. 4

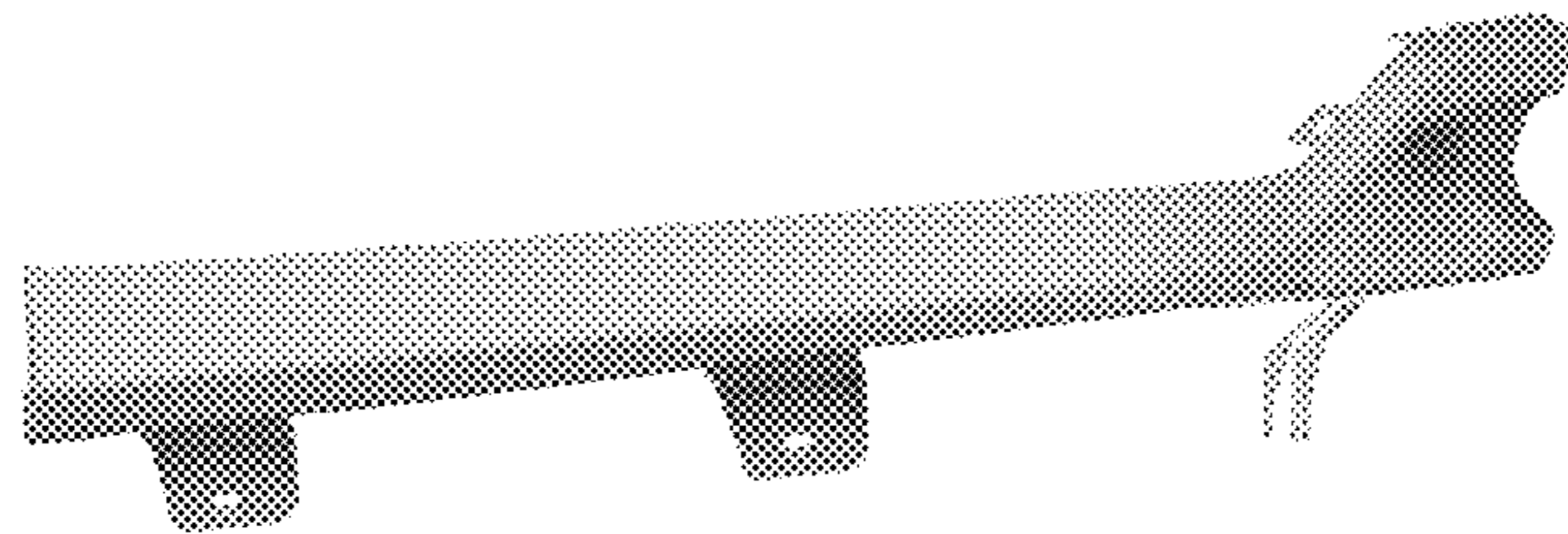


FIG. 5

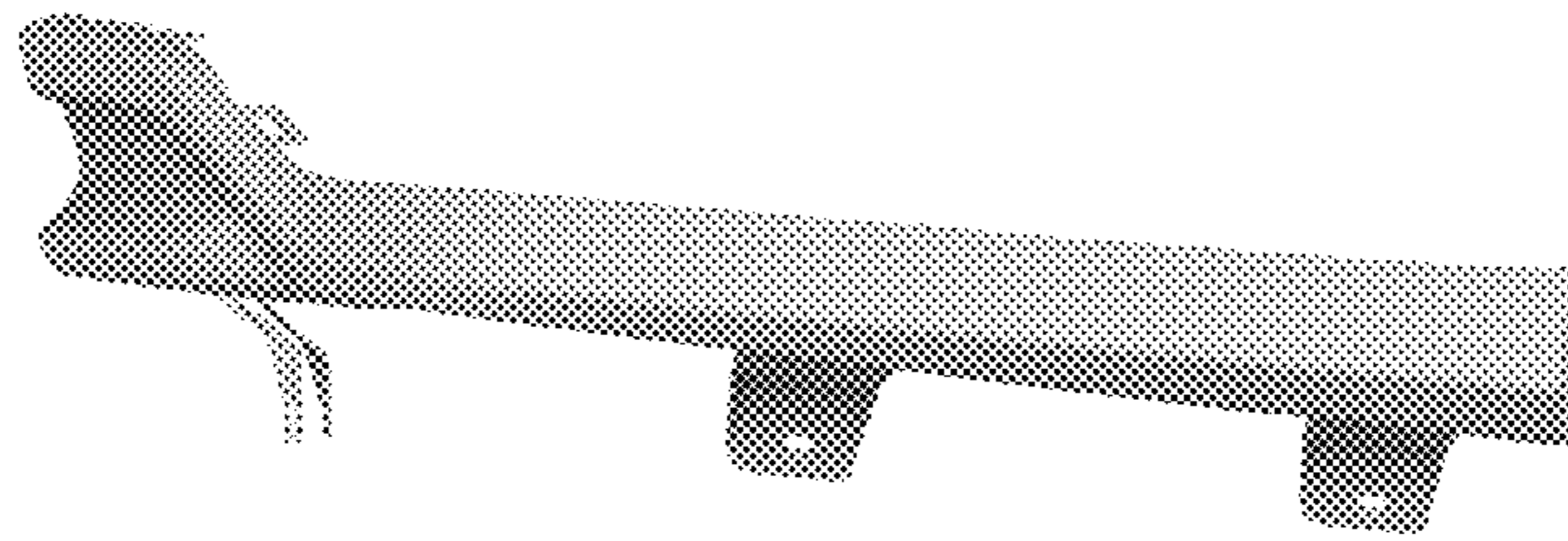


FIG. 6

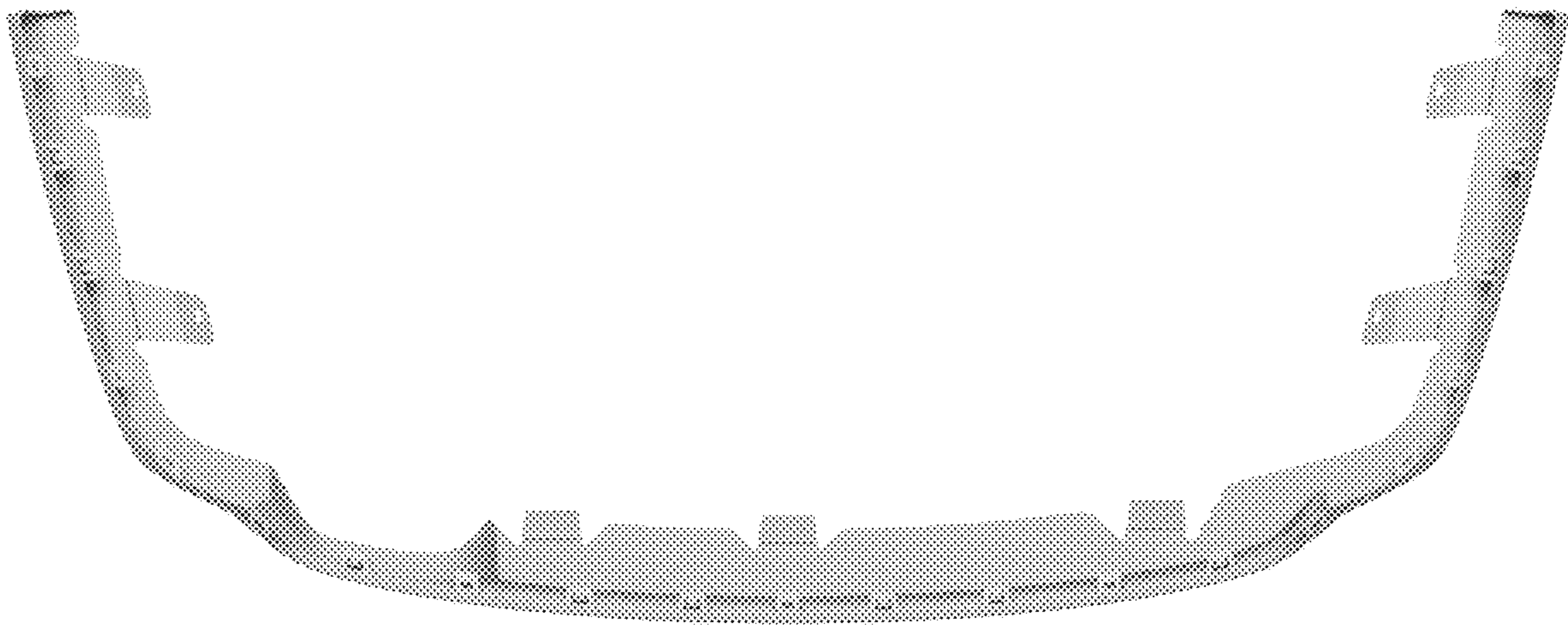


FIG. 7

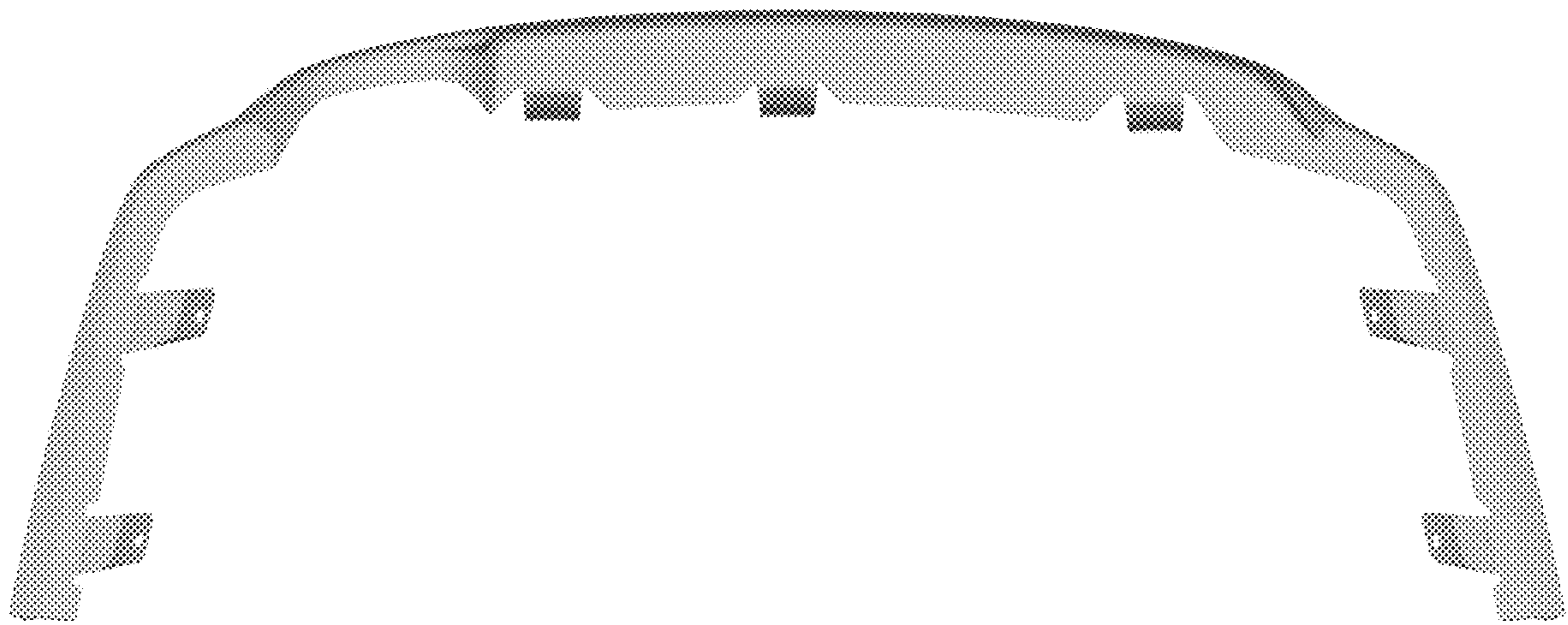


FIG. 8

