



US00D801887S

(12) **United States Design Patent**
Peat et al.

(10) **Patent No.:** **US D801,887 S**

(45) **Date of Patent:** **** Nov. 7, 2017**

- (54) **FRONT BUMPER FOR A VEHICLE**
- (71) Applicant: **Jaguar Land Rover Limited**, Whitley
Coventry (GB)
- (72) Inventors: **Anthony Peat**, Coventry (GB); **Joe Buck**, Coventry (GB)
- (73) Assignee: **Jaguar Land Rover Limited**, Whitley,
Coventry (GB)

(**) Term: **15 Years**

(21) Appl. No.: **29/577,902**

(22) Filed: **Sep. 16, 2016**

Related U.S. Application Data

(62) Division of application No. 29/537,991, filed on Aug. 31, 2015, now Pat. No. Des. 784,215.

(30) **Foreign Application Priority Data**

Mar. 16, 2015 (EM) 002656330

(51) **LOC (10) Cl.** **12-16**

(52) **U.S. Cl.**
USPC **D12/169**

(58) **Field of Classification Search**
USPC D12/169, 216, 90-92, 86, 171, 196, 163;
293/102, 113, 115, 117, 120; 296/180.1,
296/180.2
CPC B60R 19/02; B60R 19/04; B60R 19/18;
B60R 19/24; B60R 19/56; B60R
2019/007; B62D 25/08
See application file for complete search history.

(56) **References Cited**

U.S. PATENT DOCUMENTS

D704,101 S * 5/2014 Beaven D12/92
D711,287 S * 8/2014 Butterworth D12/92

D711,288 S * 8/2014 Butterworth D12/92
D718,662 S * 12/2014 Ishizuka D12/92
D719,878 S * 12/2014 Webber D12/92
D726,074 S * 4/2015 Beaven D12/92
D731,922 S * 6/2015 Beaven D12/91
D740,177 S * 10/2015 Callum D12/92
D758,921 S * 6/2016 Hatton D12/92
D784,215 S * 4/2017 Peat D12/169
D786,150 S * 5/2017 Carter D12/169

* cited by examiner

Primary Examiner — Melody N Brown

(74) *Attorney, Agent, or Firm* — Wood Herron & Evans
LLP

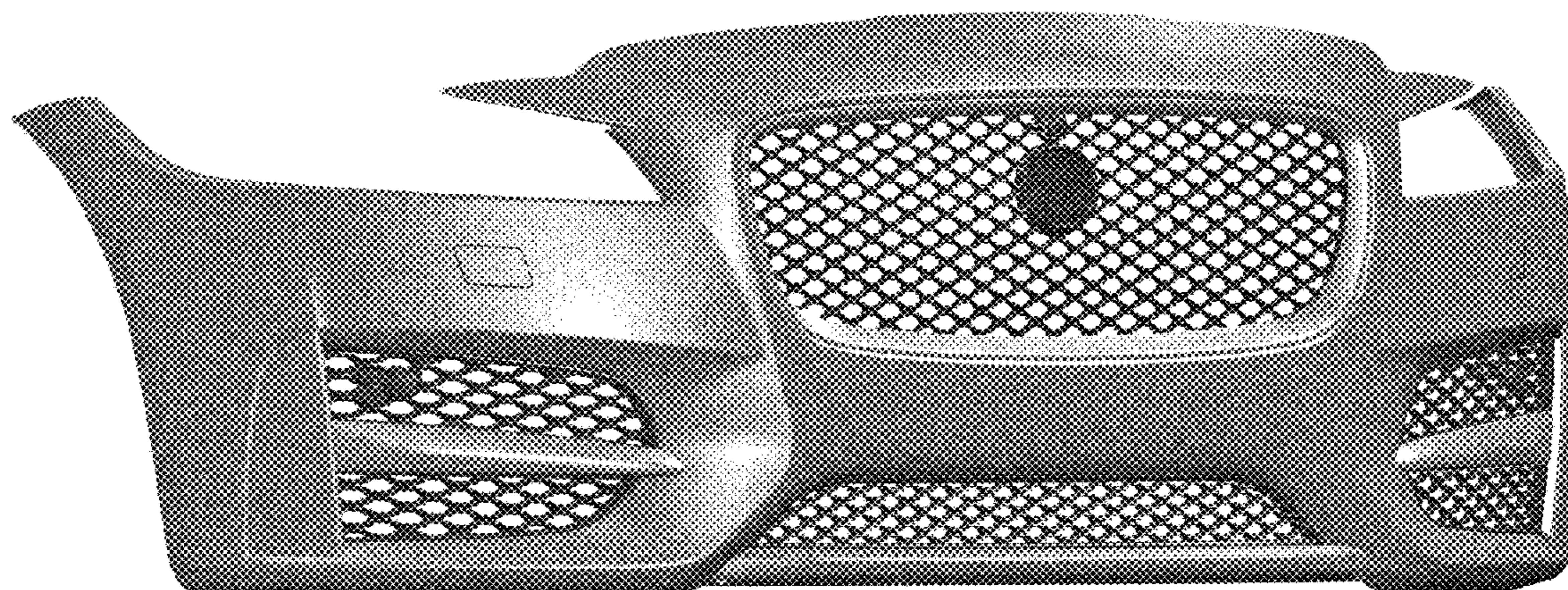
(57) **CLAIM**

The ornamental design for a front bumper for a vehicle, as shown and described.

DESCRIPTION

FIG. 1 is a front and right side perspective view of a rear bumper for a vehicle showing my new design;
FIG. 2 is a rear and left side perspective view thereof;
FIG. 3 is a front view thereof.
FIG. 4 is a rear view thereof.
FIG. 5 is a left side view thereof.
FIG. 6 is a right side view thereof.
FIG. 7 is a top view thereof; and,
FIG. 8 is another front and left side perspective view of the front bumper shown in FIG. 1, with the front bumper mounted on a vehicle shown in de-emphasized and half-tone portions so as to illustrate environmental structures for the vehicle front. These portions form no part of the claimed invention. More particularly, in FIG. 8, the front bumper of the present invention is shown within the broken lines and any elements shown outside of the broken lines form no part of the claimed invention, but are instead included to show environmental aspects of the claimed invention.

1 Claim, 7 Drawing Sheets



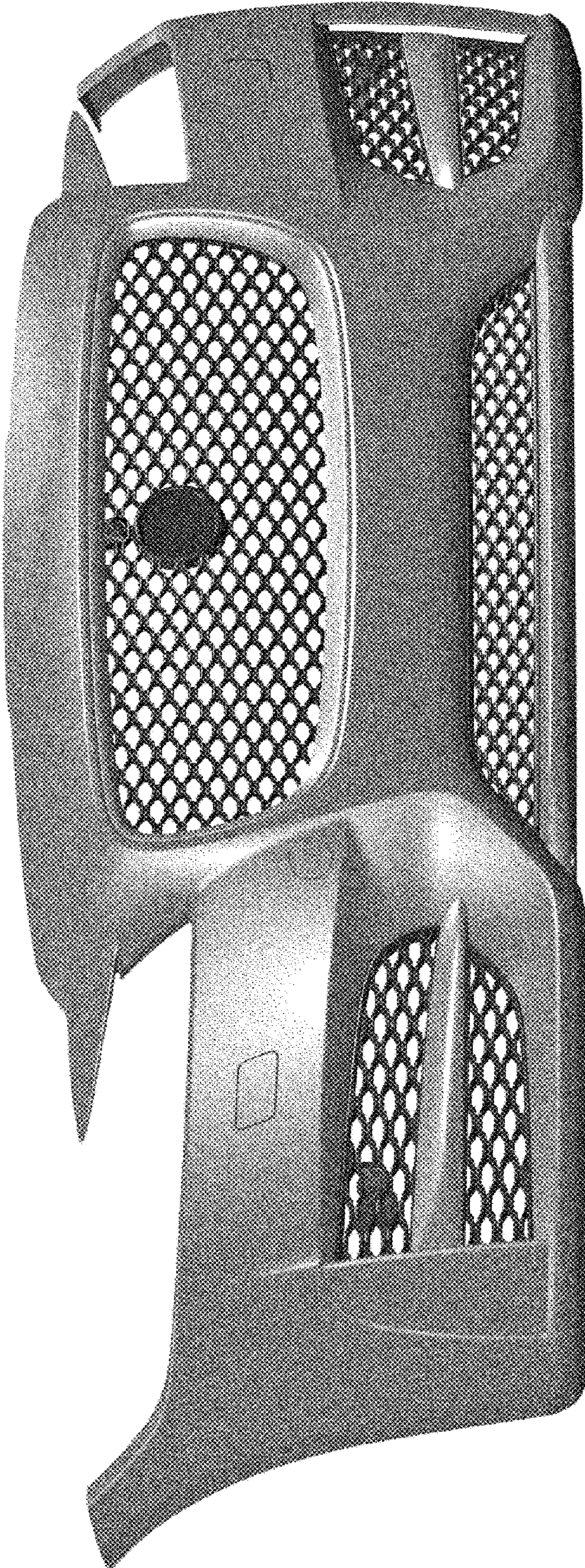


FIG. 1

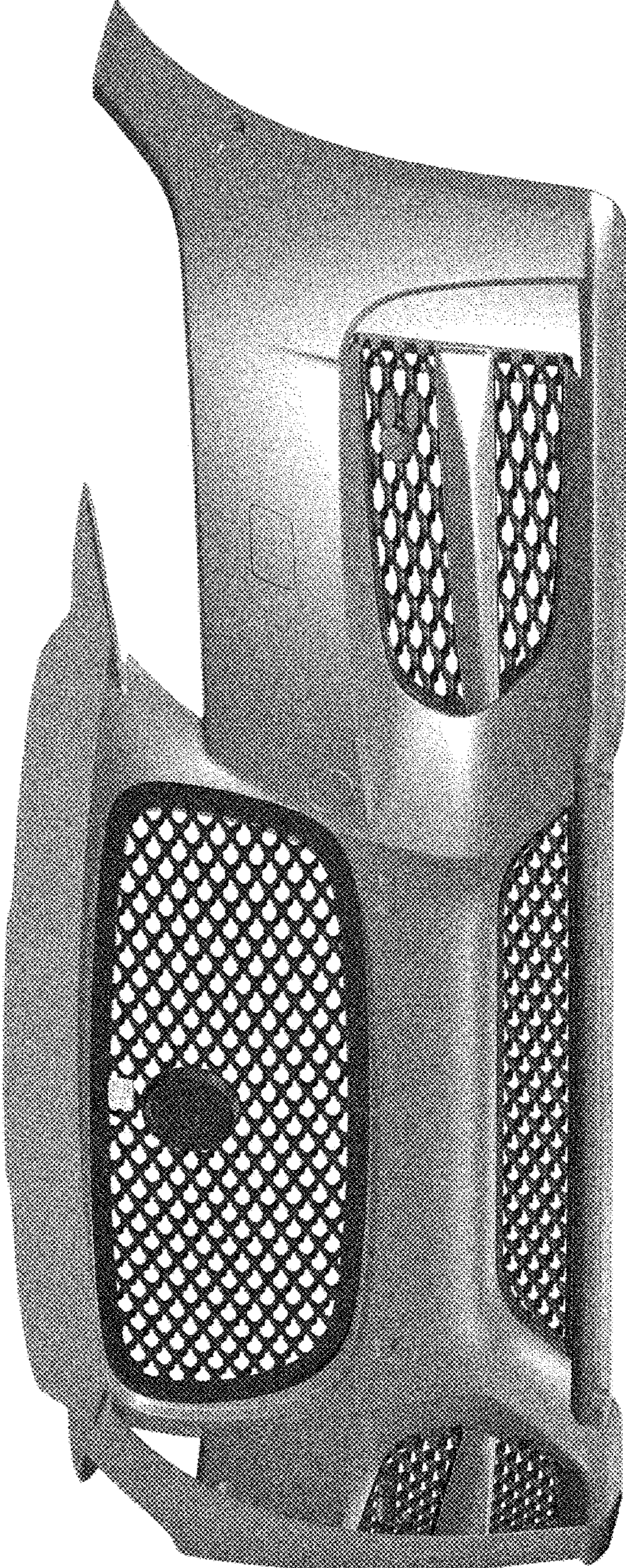


FIG. 2

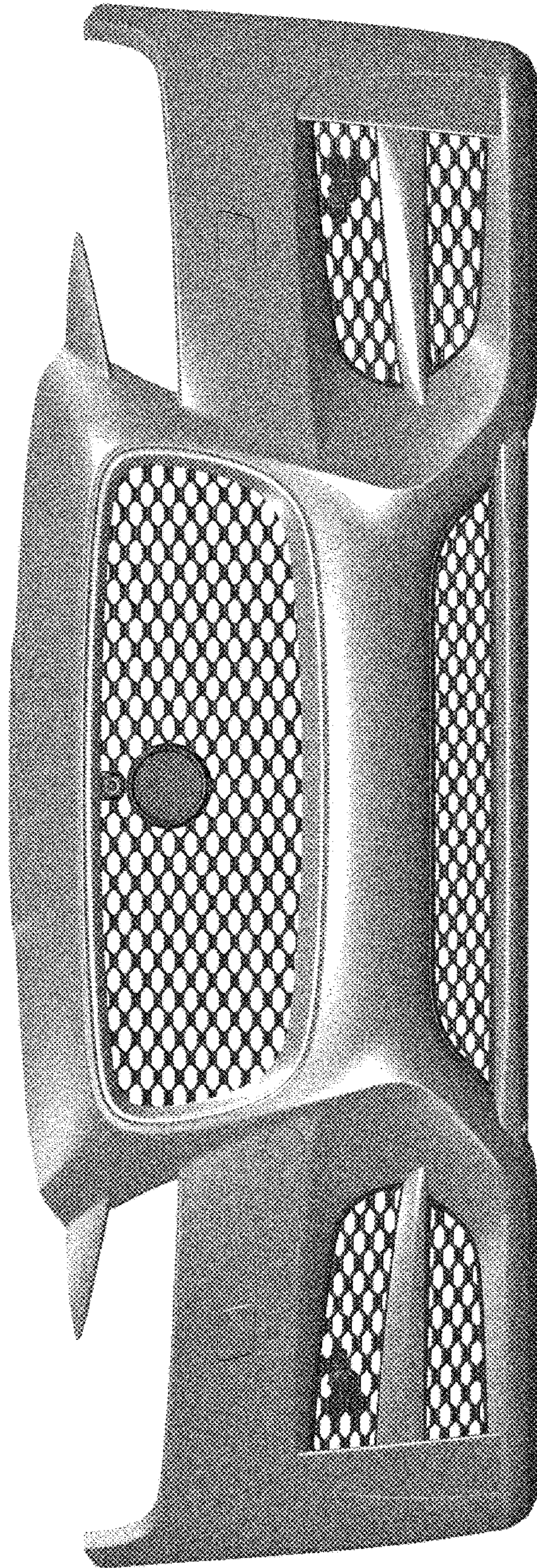


FIG. 3

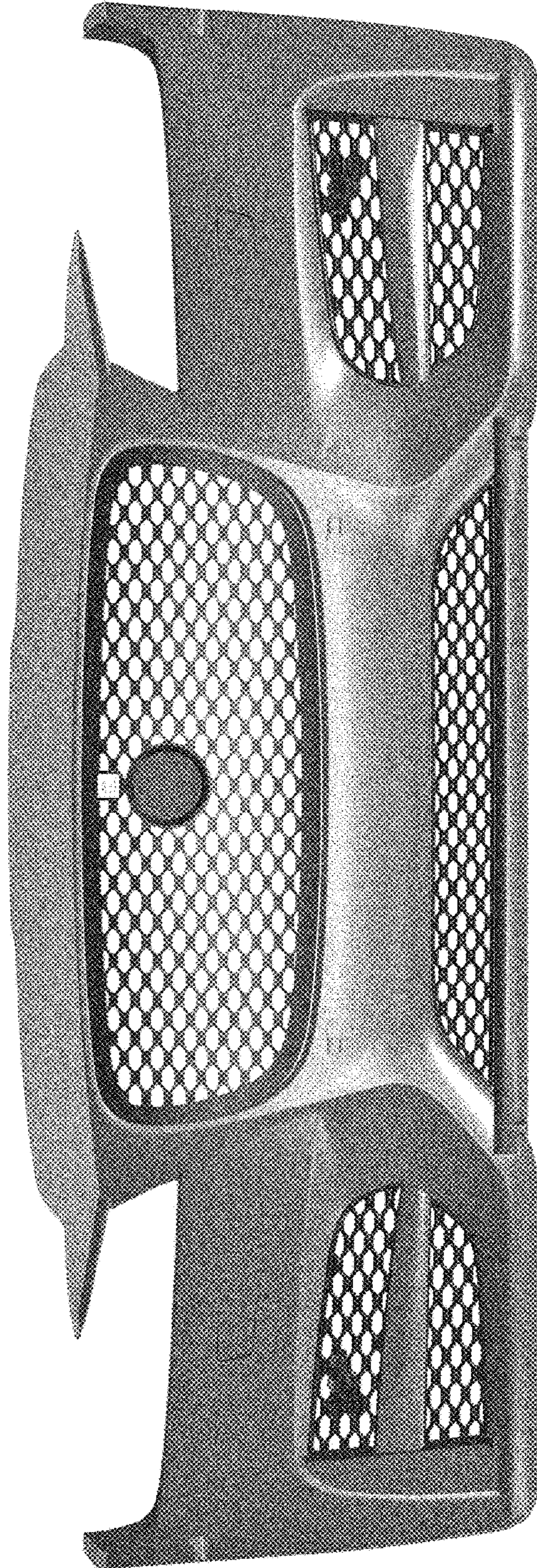


FIG. 4

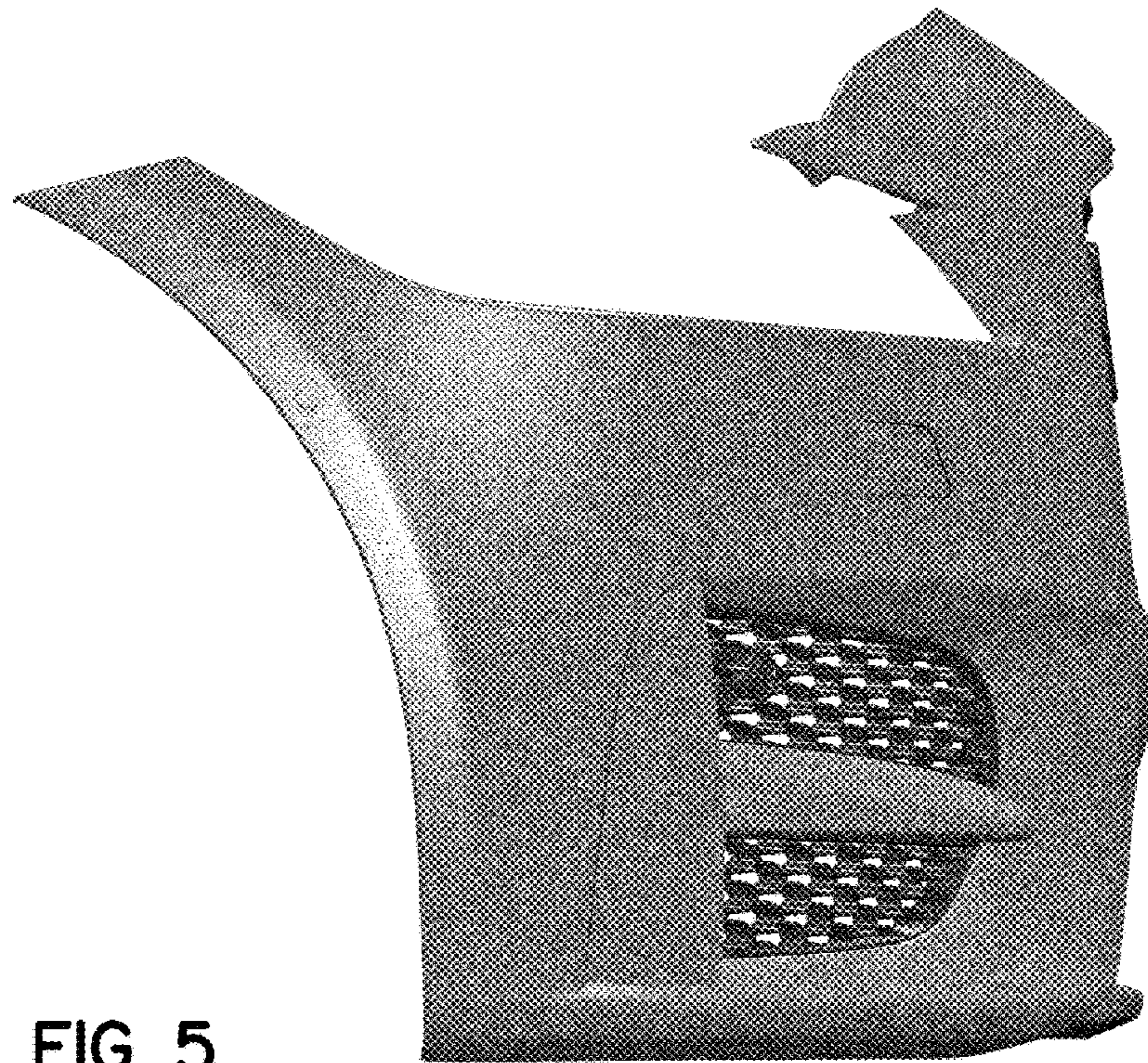


FIG. 5

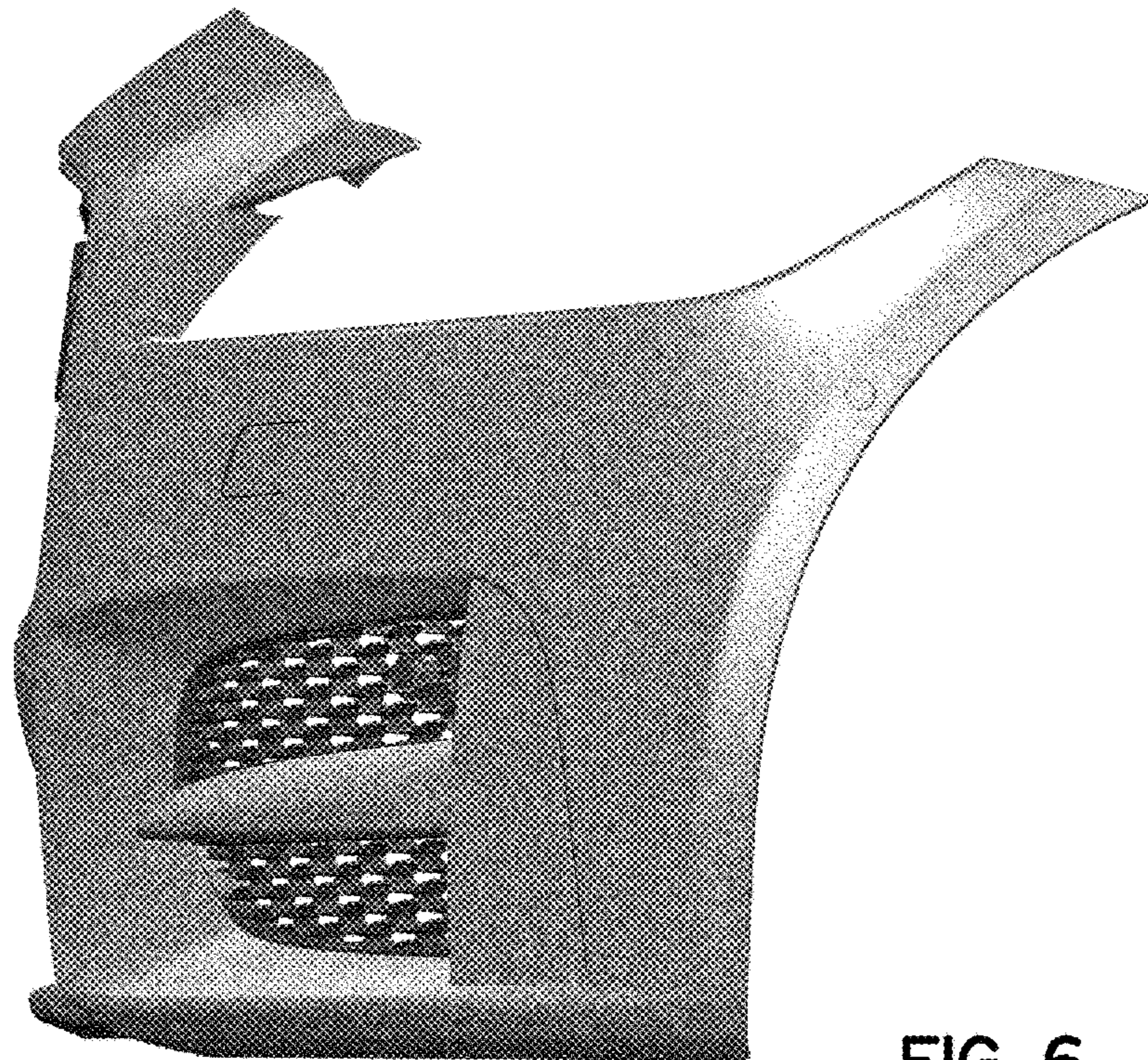


FIG. 6

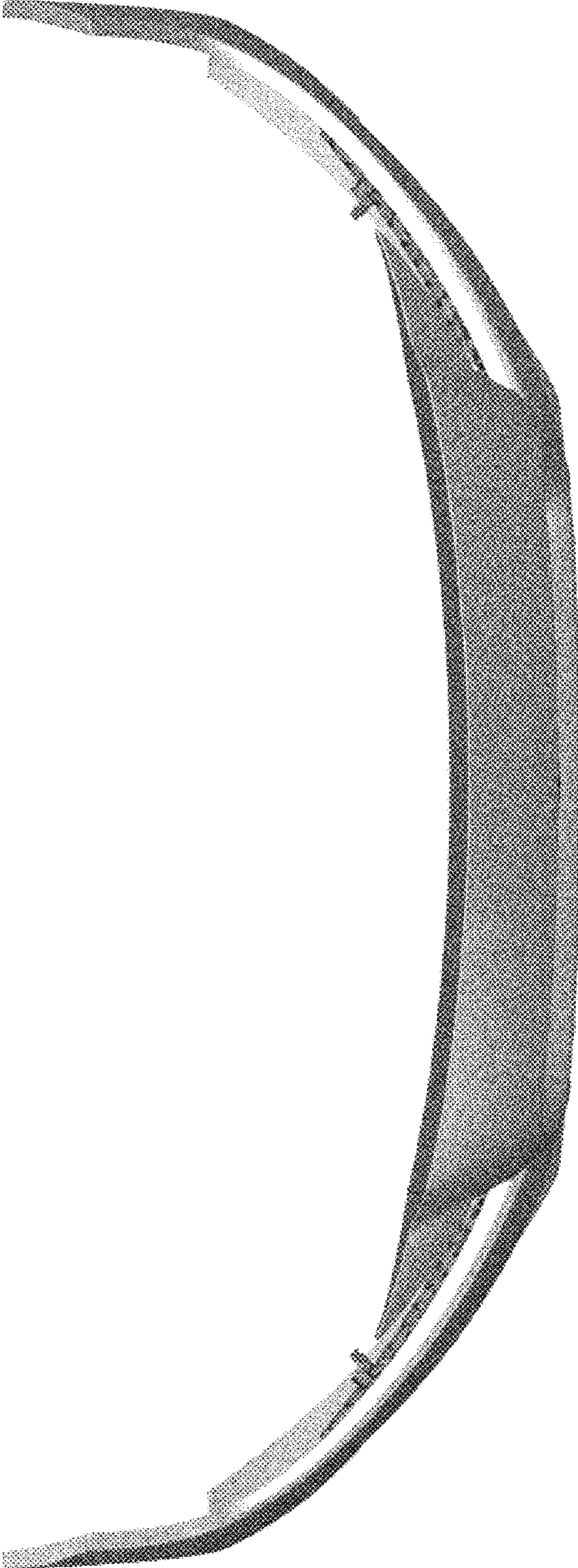


FIG. 7

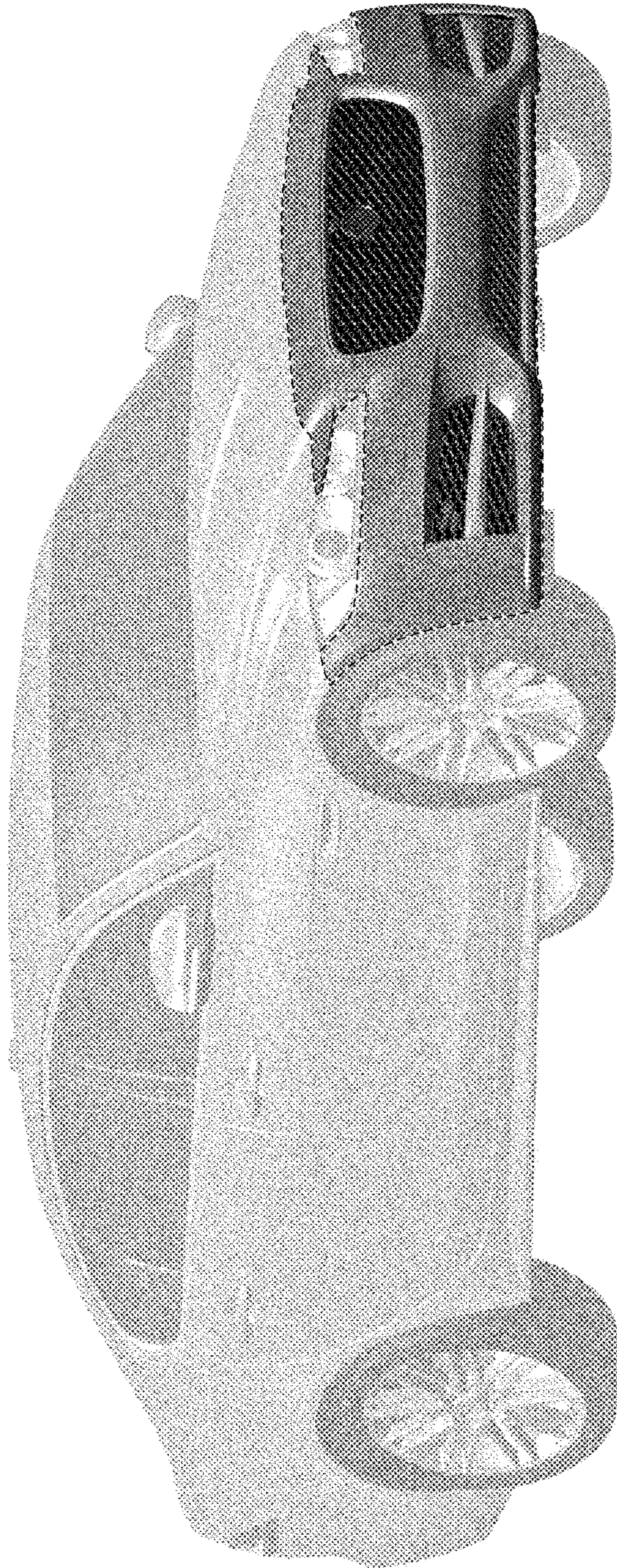


FIG. 8

UNITED STATES PATENT AND TRADEMARK OFFICE
CERTIFICATE OF CORRECTION

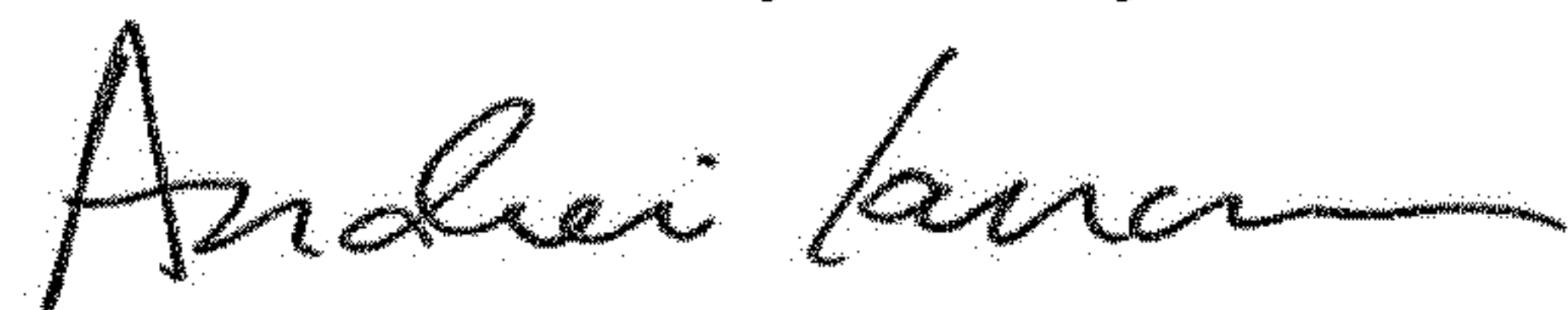
PATENT NO. : D801,887 S
APPLICATION NO. : 29/577902
DATED : November 7, 2017
INVENTOR(S) : Anthony Peat et al.

Page 1 of 1

It is certified that error appears in the above-identified patent and that said Letters Patent is hereby corrected as shown below:

Column 2, Description Line 1-2, "FIG. 1 is a front and right side perspective view of a rear bumper for a vehicle showing..." should read --FIG. 1 is a front and right side perspective view of a front bumper for a vehicle showing...--.

Signed and Sealed this
Sixteenth Day of July, 2019



Andrei Iancu
Director of the United States Patent and Trademark Office