



US00D801883S

(12) **United States Design Patent** (10) **Patent No.:** **US D801,883 S**
Fujiwara et al. (45) **Date of Patent:** **** Nov. 7, 2017**

(54) **REAR BUMPER FOR AUTOMOBILE**

(71) Applicant: **Nissan Motor Co., Ltd.**, Yokohama, Kanagawa (JP)

(72) Inventors: **Masahide Fujiwara**, Kanagawa (JP); **En Hung Liu**, Beijing (CN)

(73) Assignee: **Nissan Motor Co., Ltd.**, Yokohama (JP)

(**) Term: **15 Years**

(21) Appl. No.: **29/563,164**

(22) Filed: **May 3, 2016**

(30) **Foreign Application Priority Data**

Nov. 4, 2015 (JP) 2015-024566

(51) **LOC (10) Cl.** **12-16**

(52) **U.S. Cl.**
USPC **D12/169**

(58) **Field of Classification Search**
USPC D12/169, 216, 90-92, 86, 171, 196, 163;
293/102, 113, 115, 117, 120; 296/180.1,
296/180.2
CPC B60R 19/02; B60R 19/04; B62D 25/08
See application file for complete search history.

(56) **References Cited**

U.S. PATENT DOCUMENTS

- D598,824 S * 8/2009 Bauer D12/169
- D600,176 S 9/2009 Yamazaki et al.
- D610,504 S * 2/2010 Bucher D12/169
- D630,976 S * 1/2011 Clottu D12/169
- D637,535 S 5/2011 Yukawa et al.
- D644,575 S * 9/2011 Messale D12/169
- D659,605 S * 5/2012 Varga D12/169
- D671,049 S * 11/2012 Davidson D12/169
- D683,282 S 5/2013 Fuchigami
- D690,631 S * 10/2013 Kazama D12/169
- D698,290 S * 1/2014 Mori D12/169

- D698,712 S 2/2014 Sato et al.
 - D699,167 S 2/2014 Sato et al.
 - D703,592 S * 4/2014 Kwon D12/169
 - D713,304 S * 9/2014 Tsuchida D12/169
- (Continued)

FOREIGN PATENT DOCUMENTS

- JP D1389611 S 6/2010
 - JP D1394539 S 8/2010
- (Continued)

OTHER PUBLICATIONS

Japanese Design Registration No. D11527907, published Jul. 6, 2015, Secret Design, Office Action for the corresponding Japanese Design Application No. 2015-024566 on May 24, 2016.

Primary Examiner — Melody N Brown

(74) *Attorney, Agent, or Firm* — Global IP Counselors, LLP

(57) **CLAIM**

The ornamental design for a rear bumper for an automobile, as shown and described.

DESCRIPTION

FIG. 1 is a front elevational view of a rear bumper showing our new design;

FIG. 2 is a top plan view thereof;

FIG. 3 is a bottom plan view thereof;

FIG. 4 is a right side elevational view thereof;

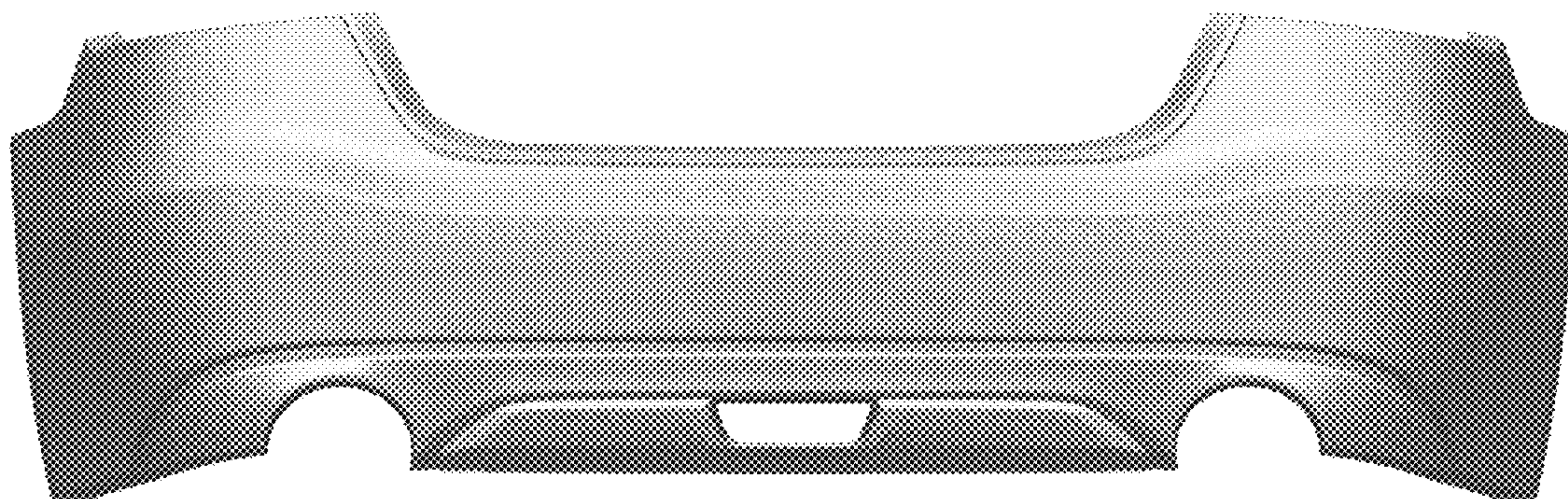
FIG. 5 is a left side elevational view thereof;

FIG. 6 is a top, front and right side perspective view thereof; and,

FIG. 7 is a bottom, front and left side perspective view thereof.

The rear view of the rear bumper forms no part of the claimed design since it will not be visible once the rear bumper is mounted to an automobile.

1 Claim, 7 Drawing Sheets



(56)

References Cited

U.S. PATENT DOCUMENTS

D713,766	S	9/2014	Katou et al.	
D714,196	S *	9/2014	Mays	D12/169
D715,708	S *	10/2014	Mays	D12/169
D718,678	S	12/2014	Ishizuka et al.	
D740,727	S *	10/2015	Nakamura	D12/169
D746,188	S *	12/2015	Nakagawa	D12/169
D748,544	S *	2/2016	Nissl	D12/169
D773,351	S *	12/2016	Munakata	D12/169
D773,352	S *	12/2016	Munakata	D12/169
D773,353	S *	12/2016	Munakata	D12/169
D783,468	S *	4/2017	Patel	D12/164

FOREIGN PATENT DOCUMENTS

JP	D1398945	S	10/2010
JP	D1434617	S	2/2012
JP	D1457892	S	12/2012
JP	D1479241	S	9/2013
JP	D1498800	S	6/2014
JP	D1499545	S	6/2014
JP	D1446730	S	7/2014
JP	D1446731	S	7/2014
JP	D1503514	S	7/2014
JP	D1505291	S	8/2014
JP	D1518986	S	3/2015
JP	D1519898	S	3/2015
JP	D1501249	S	6/2015
JP	D1527441	S	6/2015
JP	D1531253	S	8/2015
JP	D1517393	S	2/2016
JP	D1545539	S	3/2016
JP	D1545540	S	3/2016

* cited by examiner

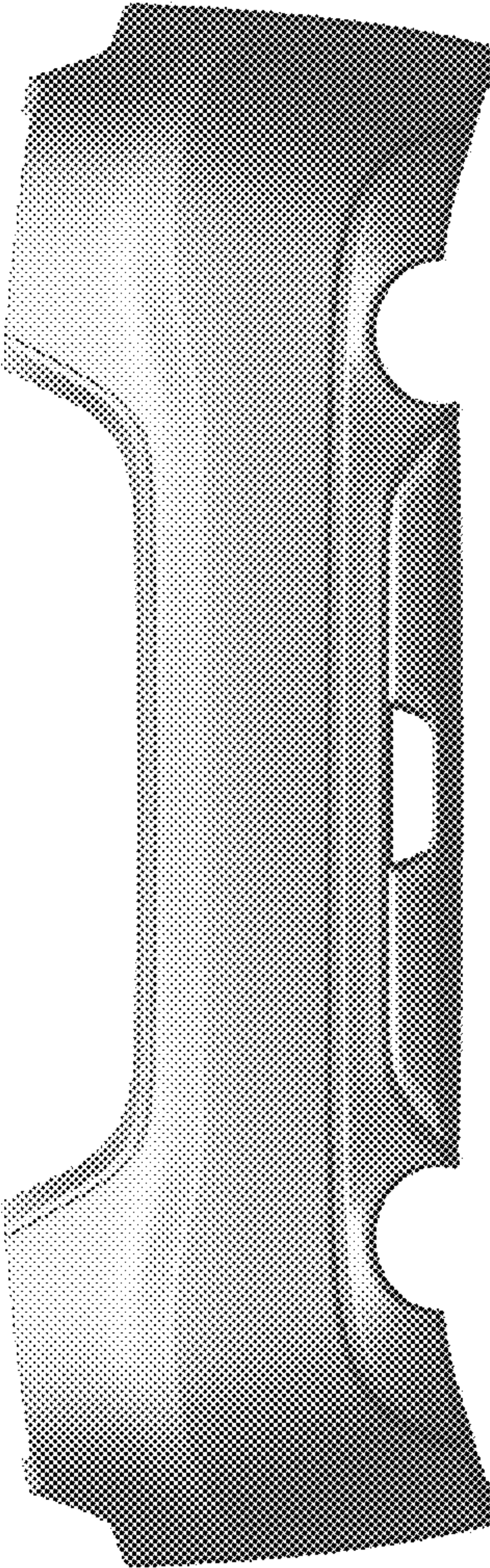


FIG. 1

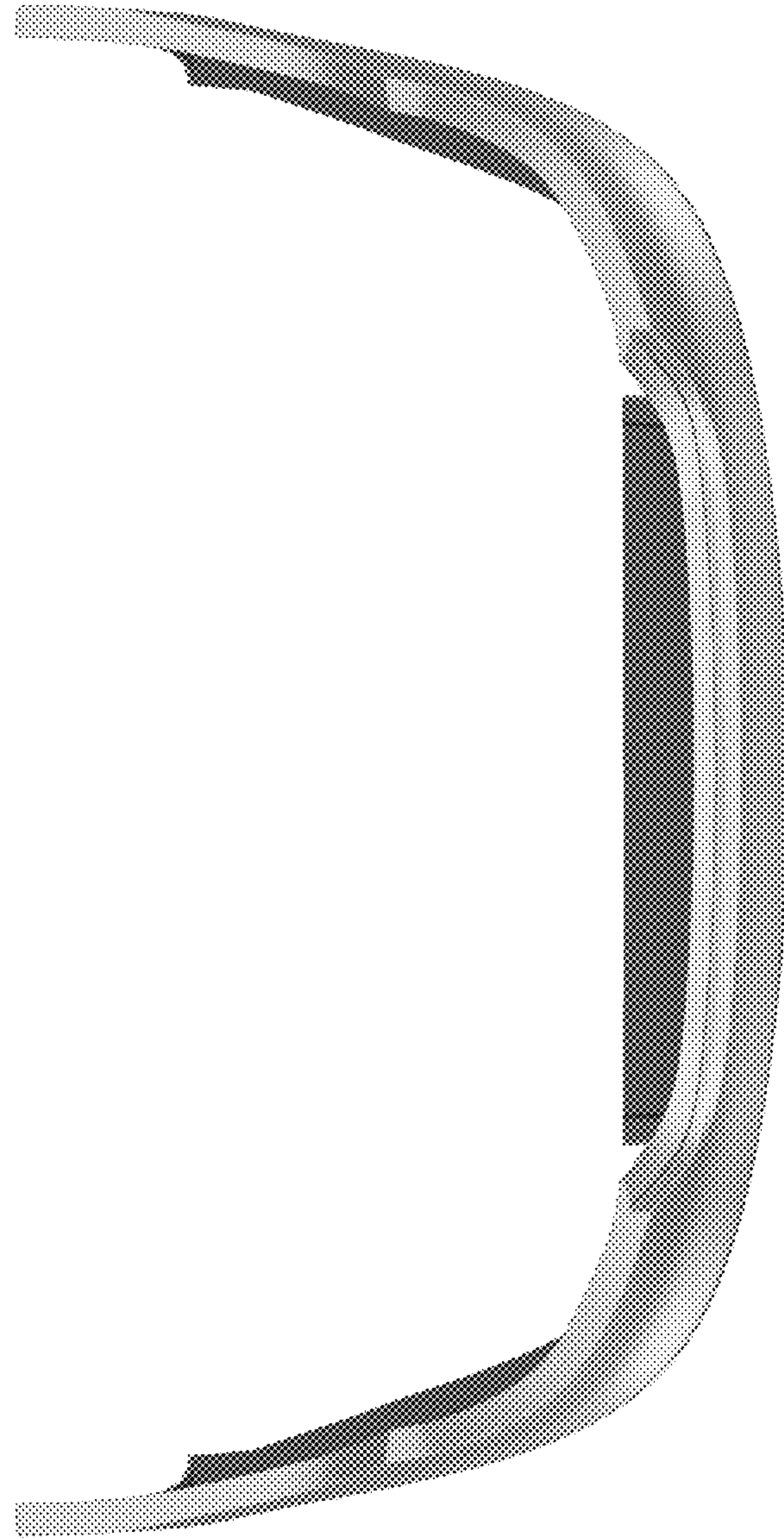


FIG. 2

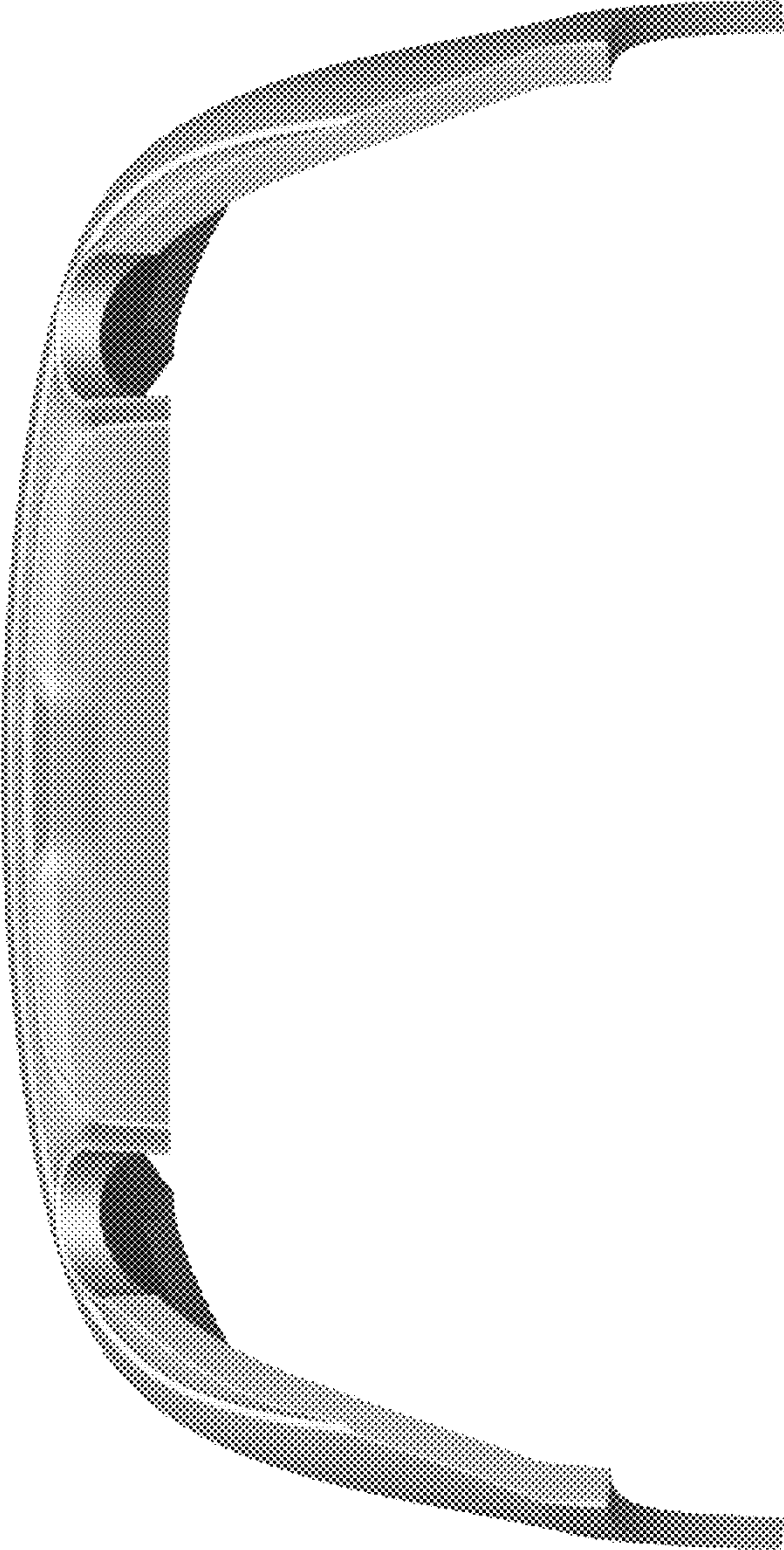


FIG. 3

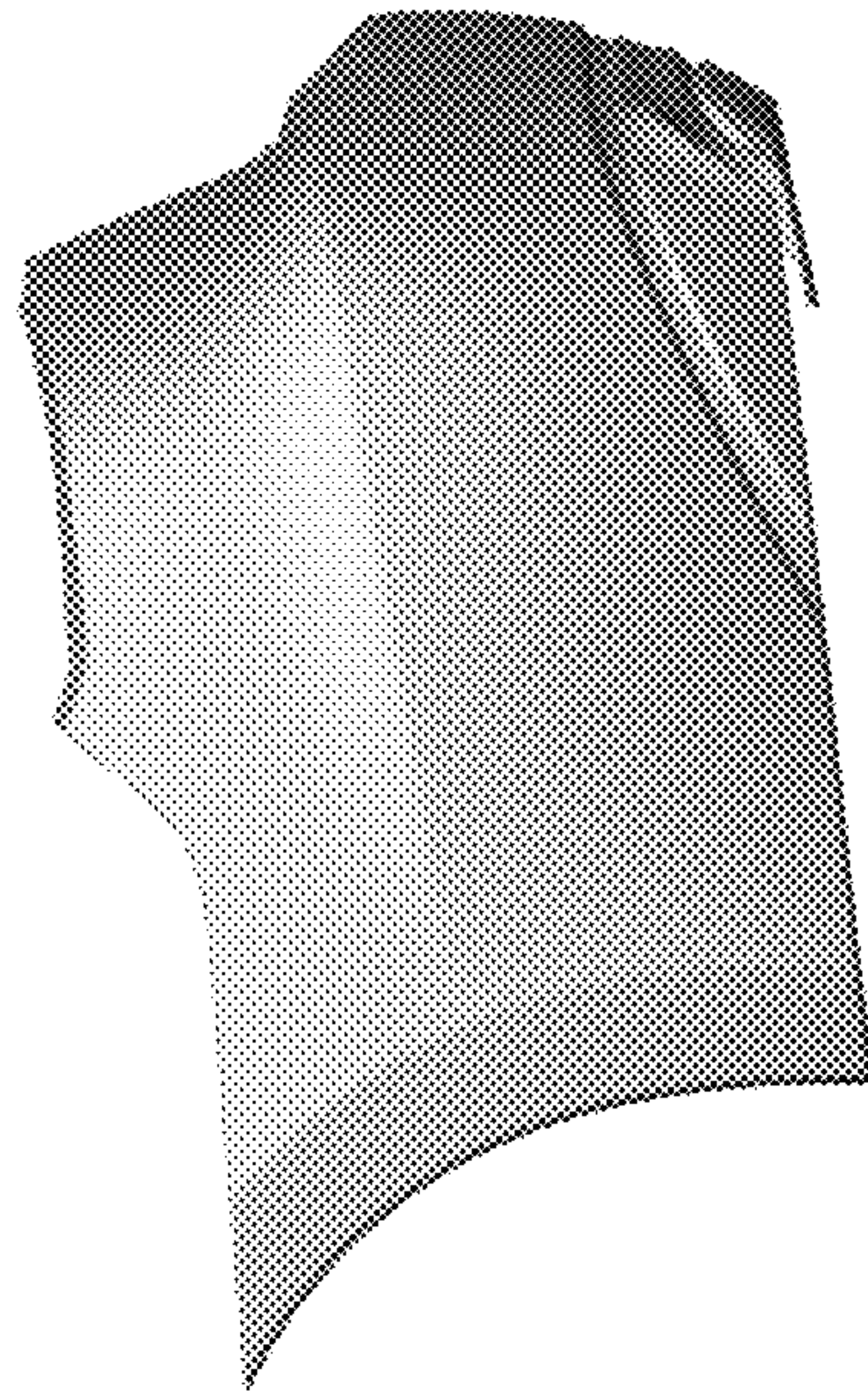


FIG. 4

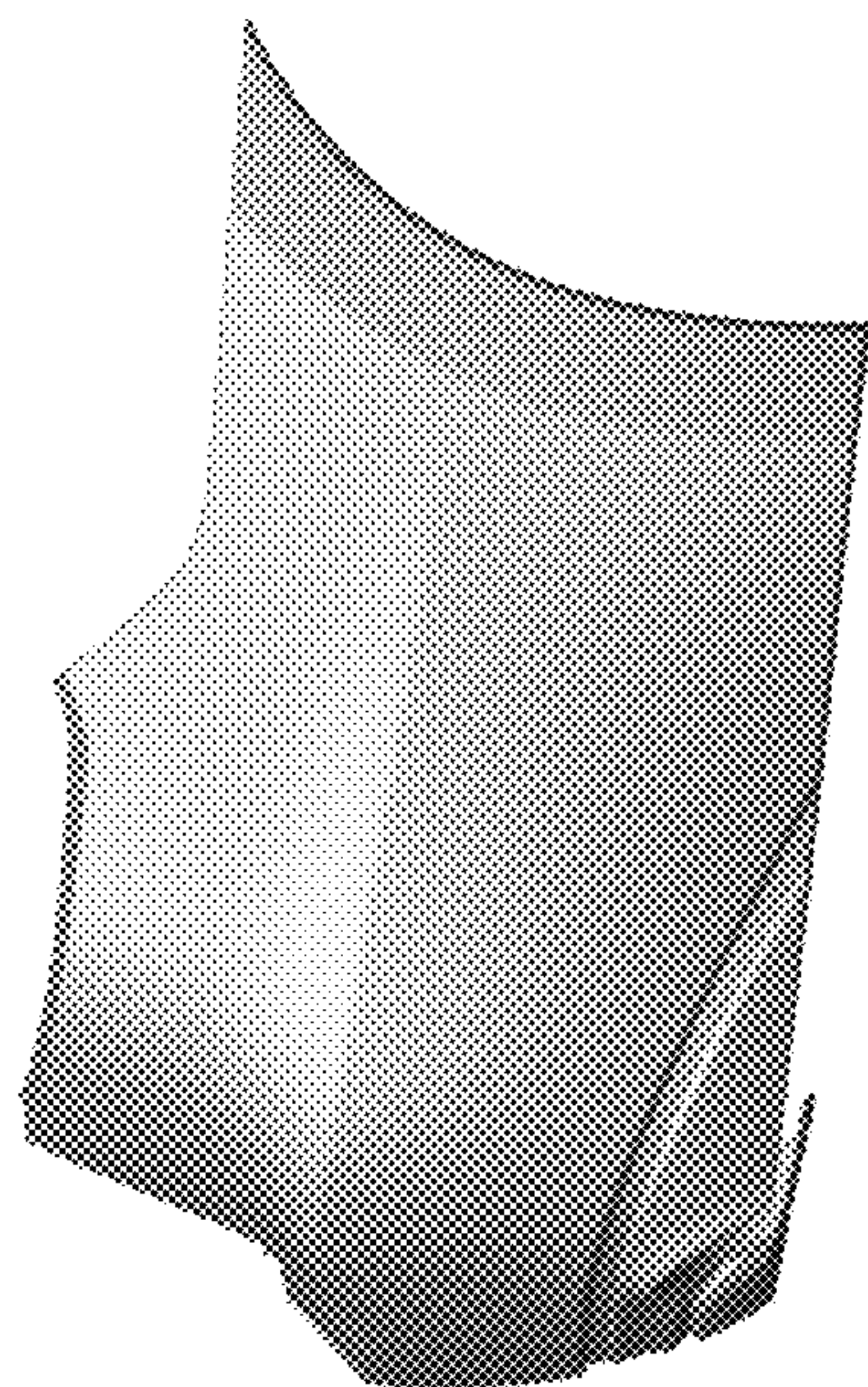


FIG. 5

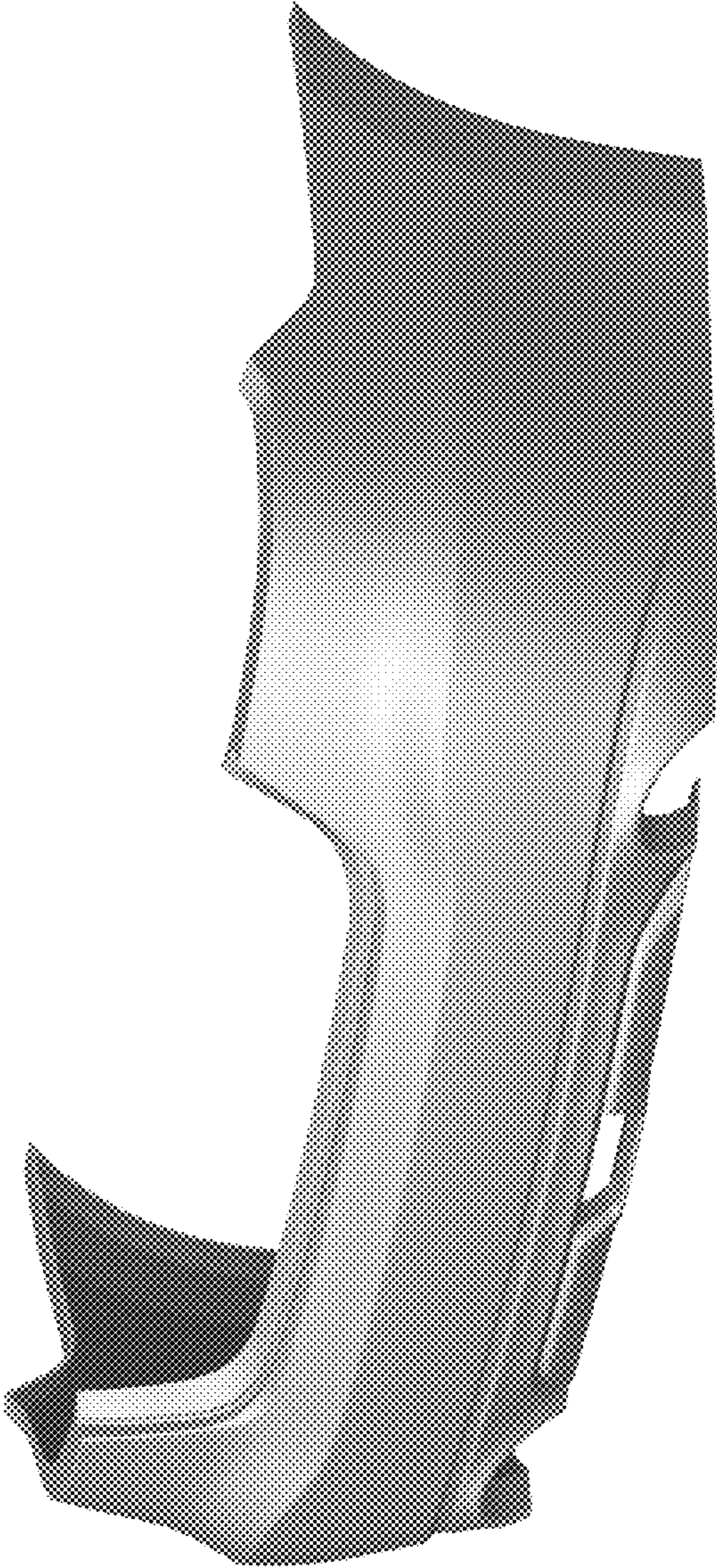


FIG. 6

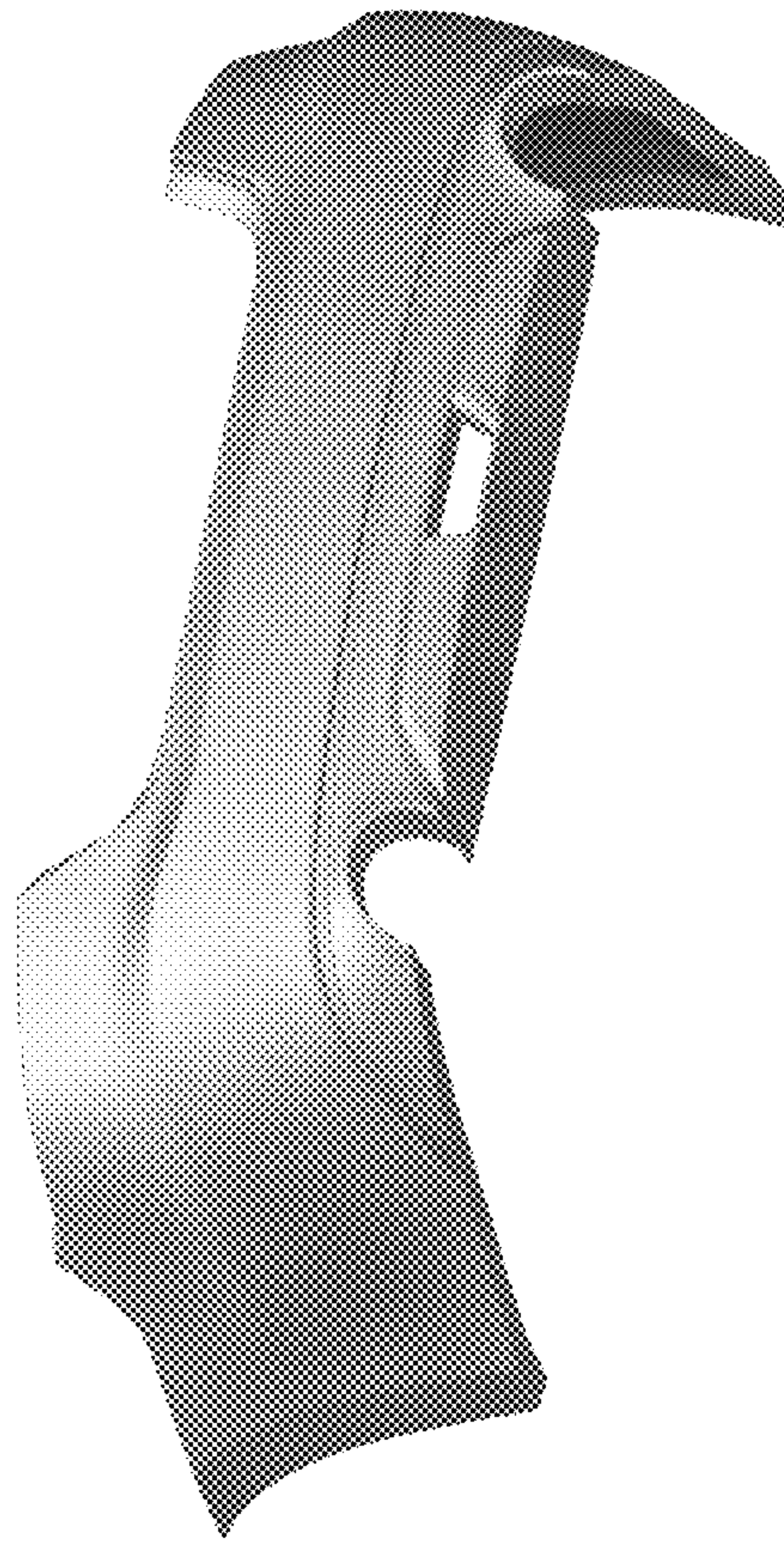


FIG. 7