



US00D801879S

(12) **United States Design Patent** (10) **Patent No.:** **US D801,879 S**
Slorance (45) **Date of Patent:** **** Nov. 7, 2017**

(54) **WHEELCHAIR** 5,267,745 A * 12/1993 Robertson A61G 5/00
280/250.1
(71) Applicant: **Carbon Black System Ltd**, Nairn (GB) D359,260 S * 6/1995 Shriver D12/131
D365,786 S * 1/1996 Peterson D12/131
(72) Inventor: **Andrew Mackay Slorance**, Nairn (GB) D365,787 S * 1/1996 Peterson D12/131
D365,788 S * 1/1996 Peterson D12/131
(73) Assignee: **Carbon Black System Ltd**, Nairn (GB) 5,480,172 A 1/1996 James
5,480,179 A 1/1996 Peacock
5,507,513 A 4/1996 Peters et al.
(**) Term: **15 Years** (Continued)

(21) Appl. No.: **29/528,693**

(22) Filed: **May 29, 2015**

Related U.S. Application Data

(63) Continuation of application No. 13/821,214, filed as application No. PCT/GB2011/001339 on Sep. 13, 2011, now Pat. No. 9,050,224.

(30) **Foreign Application Priority Data**

Sep. 14, 2010 (GB) 1015271.8

(51) **LOC (10) Cl.** **12-12**

(52) **U.S. Cl.**
USPC **D12/131**

(58) **Field of Classification Search**
USPC D12/128-133
CPC . A61G 5/00-5/14; A61G 5/041-5/047; A61G
2005/048

See application file for complete search history.

(56) **References Cited**

U.S. PATENT DOCUMENTS

3,679,257 A 7/1972 Jacuzzi et al.
4,366,964 A 1/1983 Farey et al.
4,887,826 A 12/1989 Kantner
5,028,065 A 7/1991 Danecker
5,217,239 A 6/1993 Koet
5,242,180 A * 9/1993 Bergeron A61G 5/00
280/250.1

FOREIGN PATENT DOCUMENTS

AU 2005/100037 2/2005
DE 4114710 11/1992

(Continued)

OTHER PUBLICATIONS

EU Design No. 001834607-0001, I Imagine Ltd., EU Design Application (Wheelchair), issued Mar. 12, 2011.

(Continued)

Primary Examiner — Charles Hanson

(74) *Attorney, Agent, or Firm* — Knobbe Martens Olson & Bear, LLP

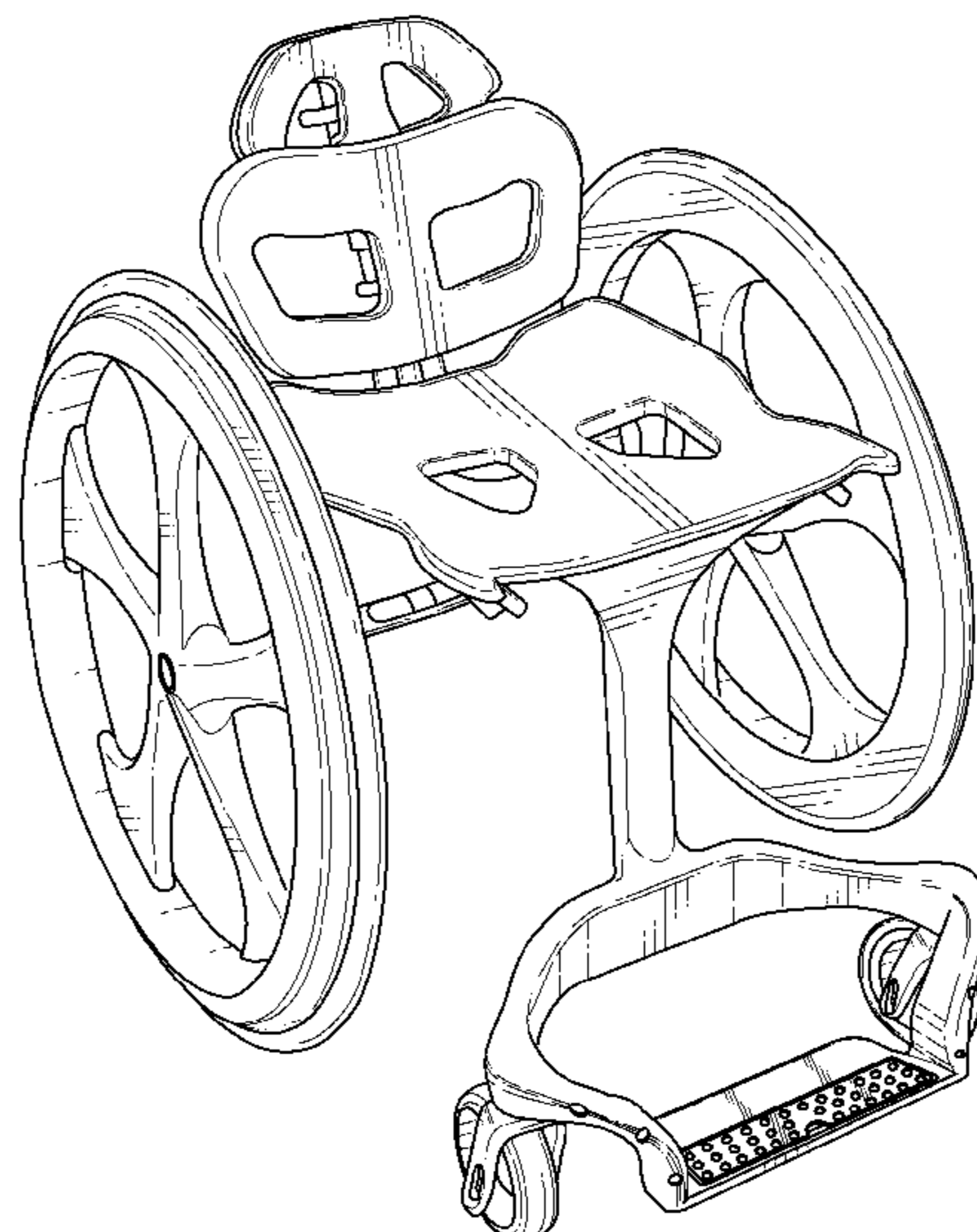
(57) **CLAIM**

The ornamental design for a wheelchair, as shown and described.

DESCRIPTION

FIG. 1 is a left side view of a wheelchair embodying my new design, the right side view forming a mirror image thereof. FIG. 2 is a front view thereof. FIG. 3 is a back view thereof. FIG. 4 is a top view thereof. FIG. 5 is a front perspective view thereof; and, FIG. 6 is a detail, front perspective view of a footrest portion of the wheelchair of FIG. 1.

1 Claim, 6 Drawing Sheets



(56)

References Cited

U.S. PATENT DOCUMENTS

5,573,260 A * 11/1996 Peterson A61G 5/00
280/250.1
5,727,802 A * 3/1998 Garven, Jr. A61G 5/08
280/250.1
6,241,321 B1 6/2001 Gagnon
6,375,209 B1 4/2002 Schlangen
6,419,253 B1 * 7/2002 Mascari A61G 5/1059
280/250.1
6,702,314 B1 3/2004 Crose
7,360,840 B2 4/2008 Barlow et al.
7,841,611 B2 11/2010 Ivanchenko
D664,489 S 7/2012 Slorance
8,262,117 B2 * 9/2012 Knopf A61G 5/1062
280/291
8,801,020 B2 * 8/2014 Borisoff A61G 5/10
280/250.1
D754,569 S * 4/2016 Da Cunha D12/131
2004/0084870 A1 5/2004 Ward et al.
2005/0006871 A1 1/2005 Goding et al.
2007/0012526 A1 1/2007 Holub
2012/0080246 A1 4/2012 Engman et al.

FOREIGN PATENT DOCUMENTS

EP 1714629 10/2006
FR 2700726 7/1994
GB 2427674 1/2007
GB 2448688 10/2008

GB 2458852 10/2009
GB 1015271.8 9/2010
JP 7304302 11/1995
JP 11347072 12/1999
NL 9401066 2/1996
WO WO 2004/108046 12/2004
WO WO 2007/099565 9/2007

OTHER PUBLICATIONS

EU Design No. 001916131-0001, I Imagine Ltd., EU Design Application (Wheel), filed Sep. 12, 2011.
AbleData, X-Core 3 wheel, available at <http://www.abledata.com/abledata.cfm?pageid=19327&top=14565&ksectionid=19327&productid=80408&trail=0&discontinued>, accessed Aug. 4, 2010.
The Independent, Trekinetic—Reinventing the wheelchair, available at www.independent.co.uk/life-style/gadgets-and-tech/features/trekinetic-reinventing-thewheelchair-858190.html, accessed Aug. 4, 2010, article date Jul. 2, 2008.
Panthera X Technology, Wheelchair, available at <http://www.panthera.se/index-eng.html>, accessed Aug. 30, 2010.
Future Chair, Free Spirit: The World's Lightest Wheelchair, available at <http://www.gizmag.com/worlds-lightest-wheelchair/9272/>, accessed Sep. 4, 2013, article dated May 12, 2008.
Progeo Carbon Fibre NOIR Wheelchair, available at <http://www.rehateamprogeo.com/?PAG=3&SEZ=57&MOD=43&LANG=EN>, accessed Sep. 5, 2013.
“Future Chairs” and “Colors” carbon fibre model wheelchairs, Feb. 5, 2010.

* cited by examiner

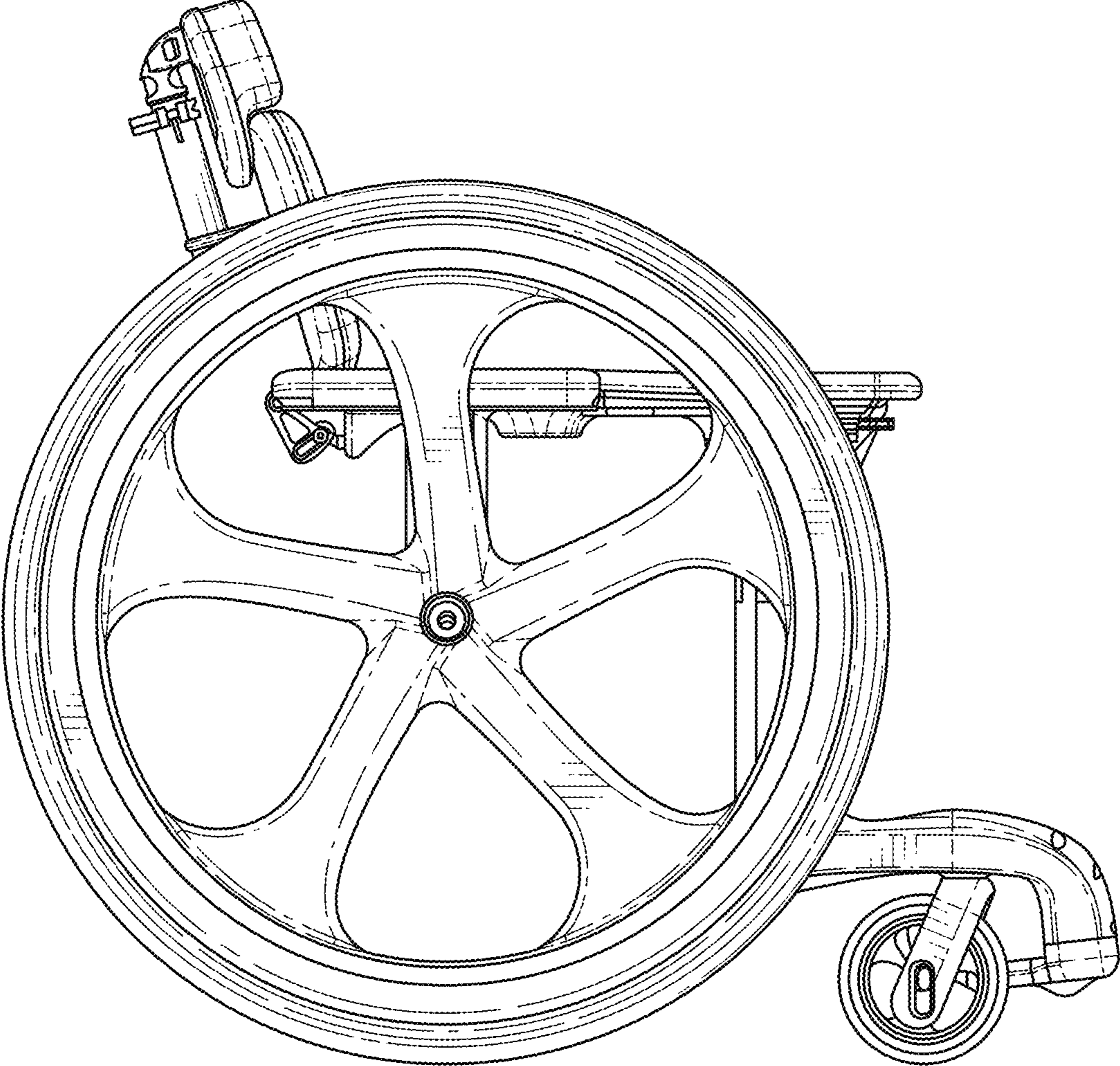


FIG. 1

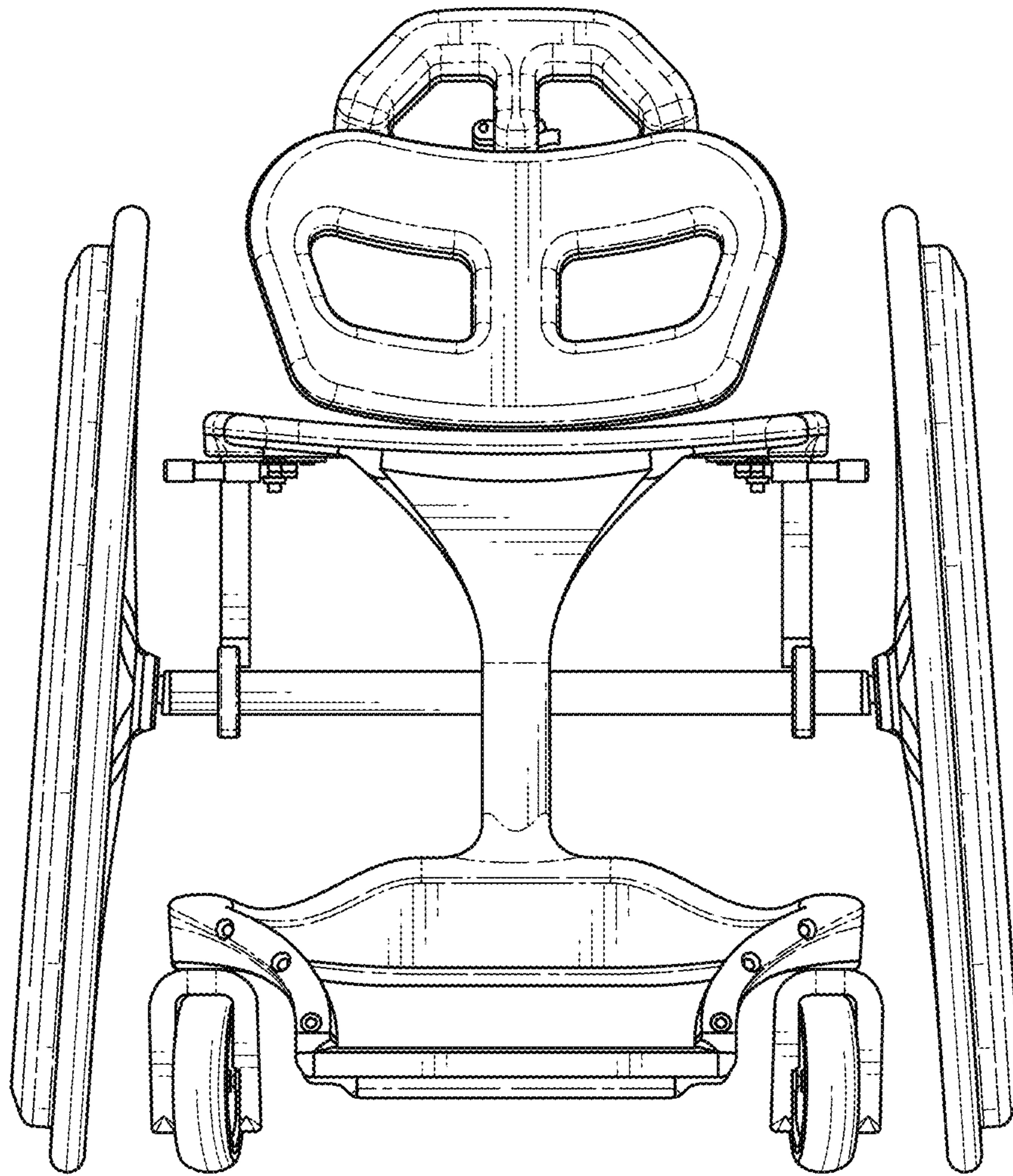


FIG. 2

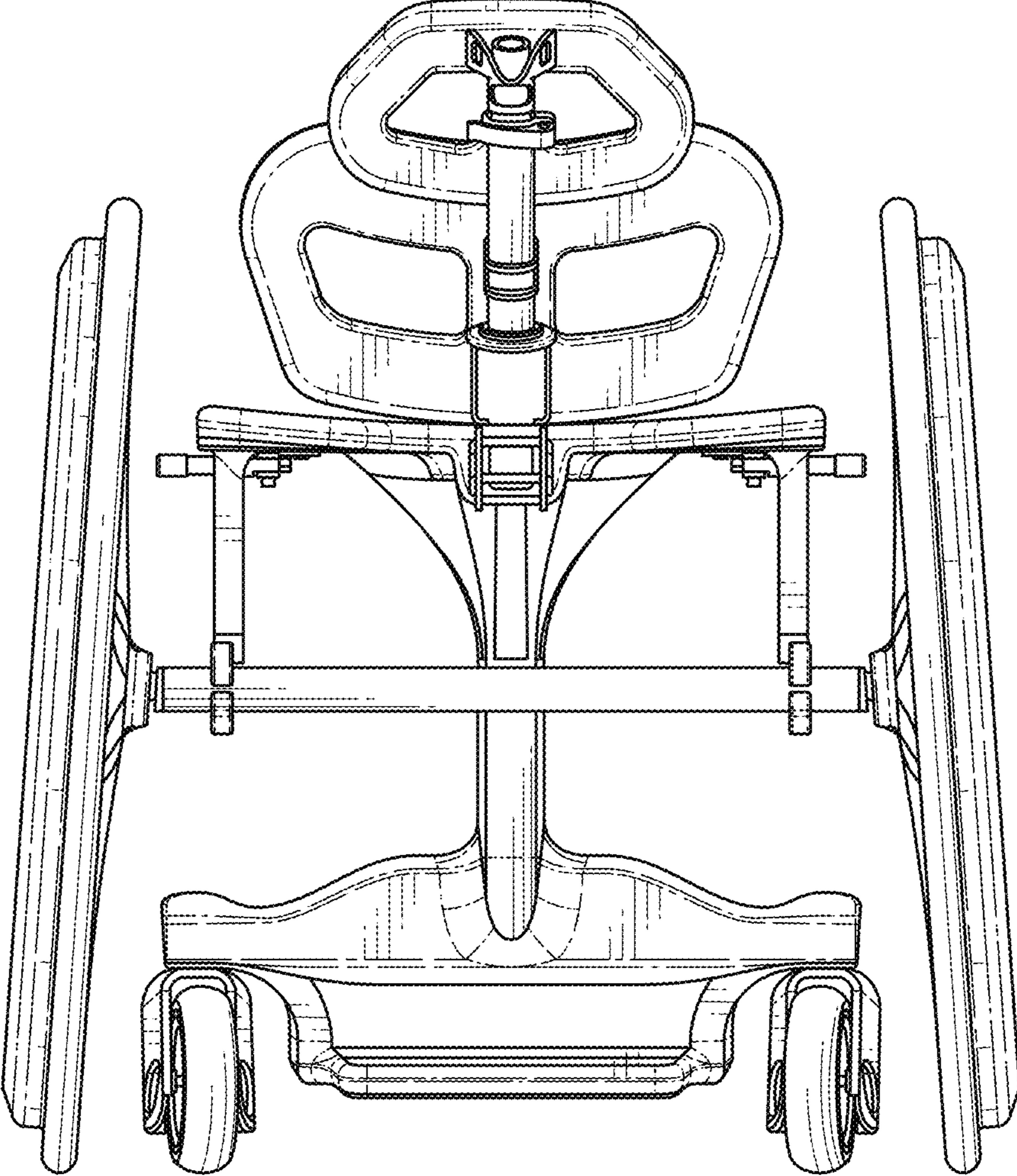


FIG. 3

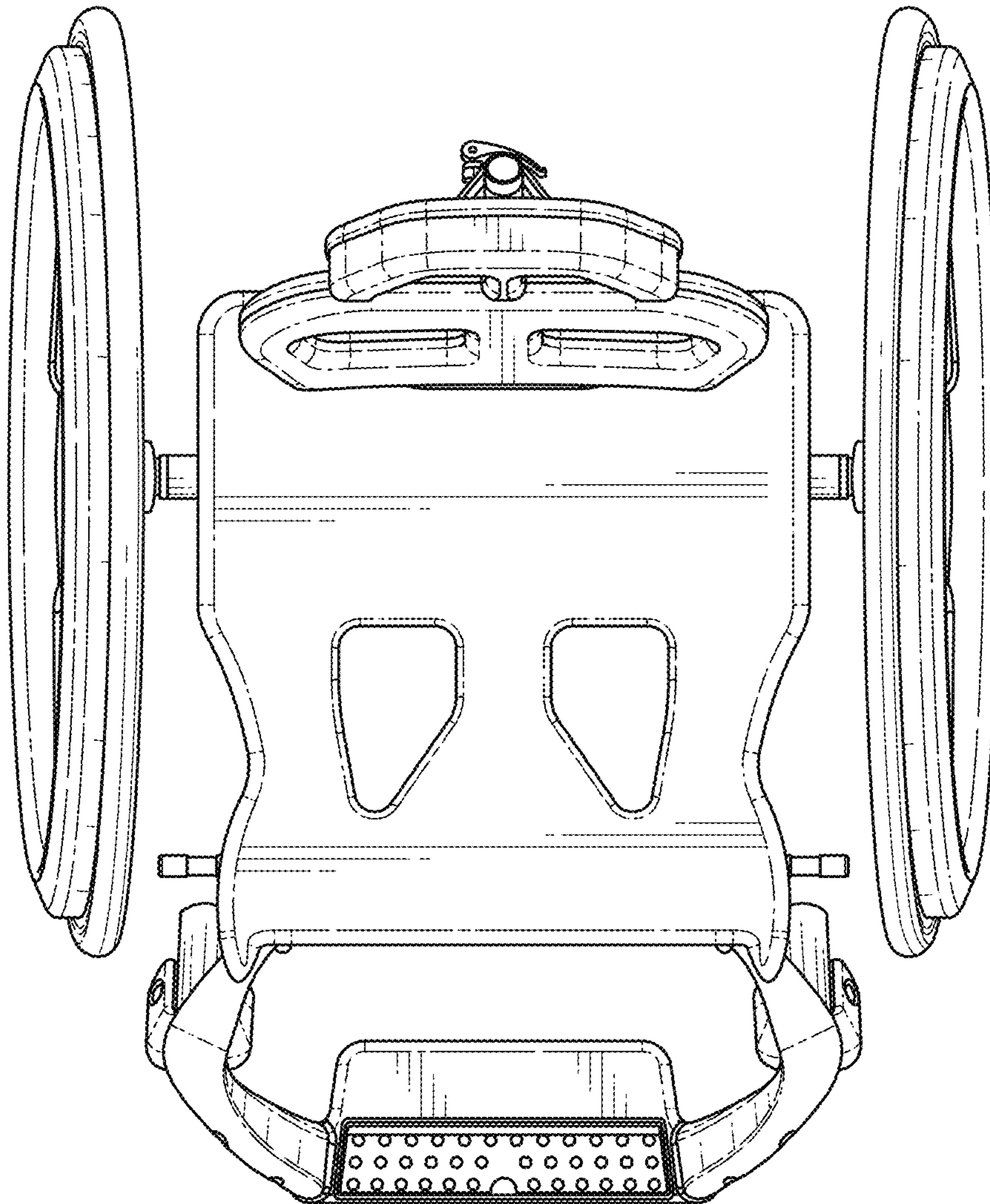


FIG. 4

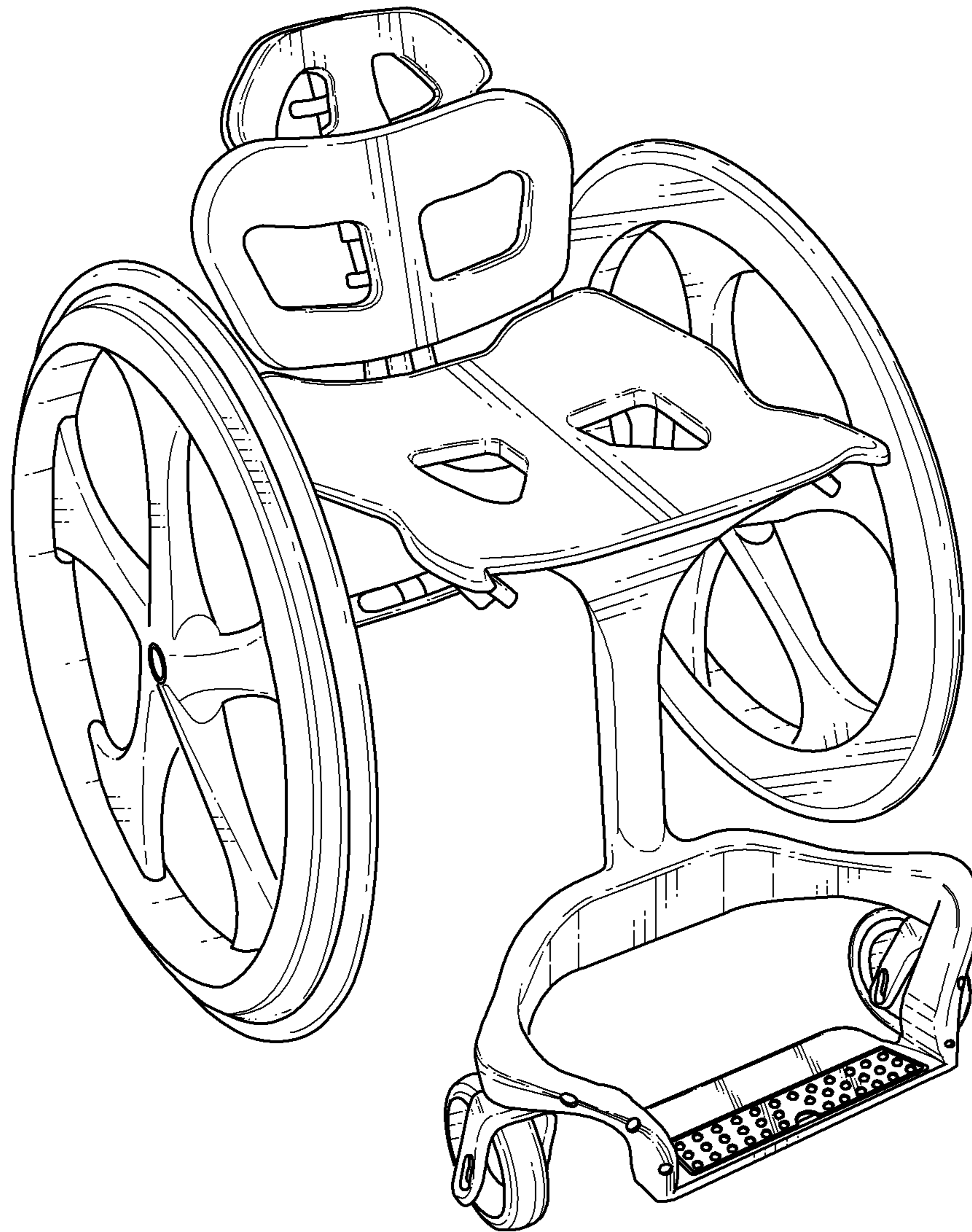


FIG. 5

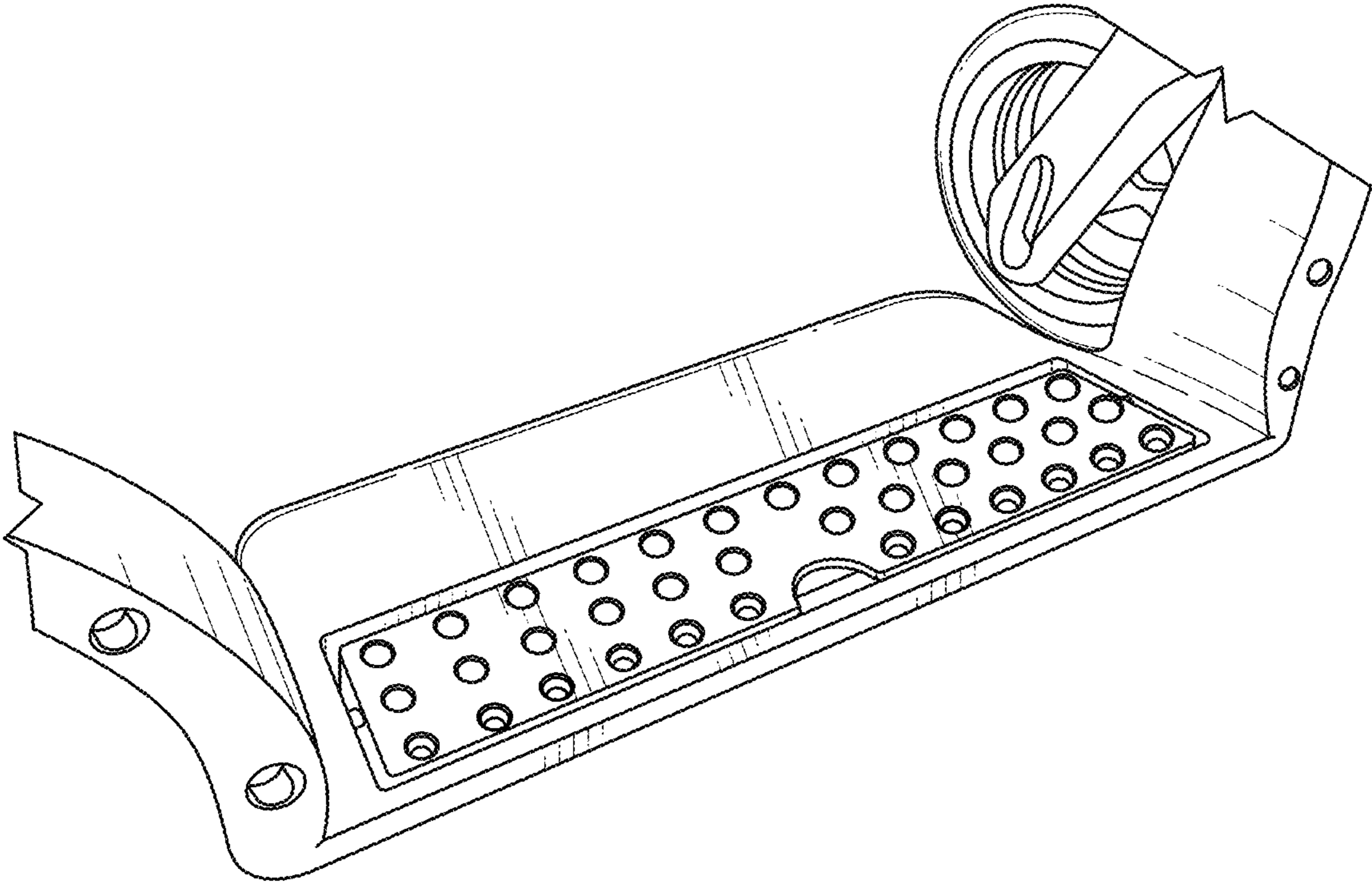


FIG. 6