



US00D801861S

(12) **United States Design Patent**
Hubers et al.

(10) **Patent No.:** **US D801,861 S**

(45) **Date of Patent:** **** Nov. 7, 2017**

(54) **AUTOMOBILE**

(71) Applicants: **Adam Hubers**, Royal Oak, MI (US);
Nicholas Vardis, Sylvan Lake, MI (US)

(72) Inventors: **Adam Hubers**, Royal Oak, MI (US);
Nicholas Vardis, Sylvan Lake, MI (US)

(73) Assignee: **FCA US LLC**, Auburn Hills, MI (US)

(**) Term: **15 Years**

(21) Appl. No.: **29/578,076**

(22) Filed: **Sep. 19, 2016**

(51) **LOC (10) Cl.** **12-08**

(52) **U.S. Cl.**
USPC **D12/91**

(58) **Field of Classification Search**
USPC D12/90-92, 164, 169, 196;
296/181.1-181.5; D21/548, 560
CPC B60Y 2306/01; B60K 11/085
See application file for complete search history.

(56) **References Cited**

U.S. PATENT DOCUMENTS

| | | | |
|--------------|---------|----------------|---------|
| D350,504 S | 9/1994 | Nixon | |
| D420,939 S | 2/2000 | Faurote et al. | |
| D466,051 S * | 11/2002 | Stoddard | D12/91 |
| D500,460 S | 1/2005 | Allen et al. | |
| D506,955 S * | 7/2005 | Allen | D12/163 |
| D532,717 S * | 11/2006 | Dolan | D12/91 |
| D542,181 S * | 5/2007 | Dolan | D12/91 |
| D586,697 S * | 2/2009 | Nagode | D12/91 |

| | | | |
|--------------|---------|-----------------|---------|
| D693,737 S | 11/2013 | Hammoud et al. | |
| D711,784 S | 8/2014 | Galante et al. | |
| D713,308 S * | 9/2014 | Galante | D12/196 |
| D725,550 S * | 3/2015 | Wolff | D12/91 |
| D727,210 S * | 4/2015 | Grake | D12/91 |
| D733,004 S * | 6/2015 | Huang | D12/91 |
| D734,230 S * | 7/2015 | Wheel | D12/196 |
| D751,005 S * | 3/2016 | Galante | D12/164 |
| D752,481 S * | 3/2016 | Frascella | D12/91 |
| D760,137 S * | 6/2016 | Galante | D12/196 |

* cited by examiner

Primary Examiner — John Windmuller

Assistant Examiner — Melvin L Davis

(74) *Attorney, Agent, or Firm* — Ralph E. Smith

(57) **CLAIM**

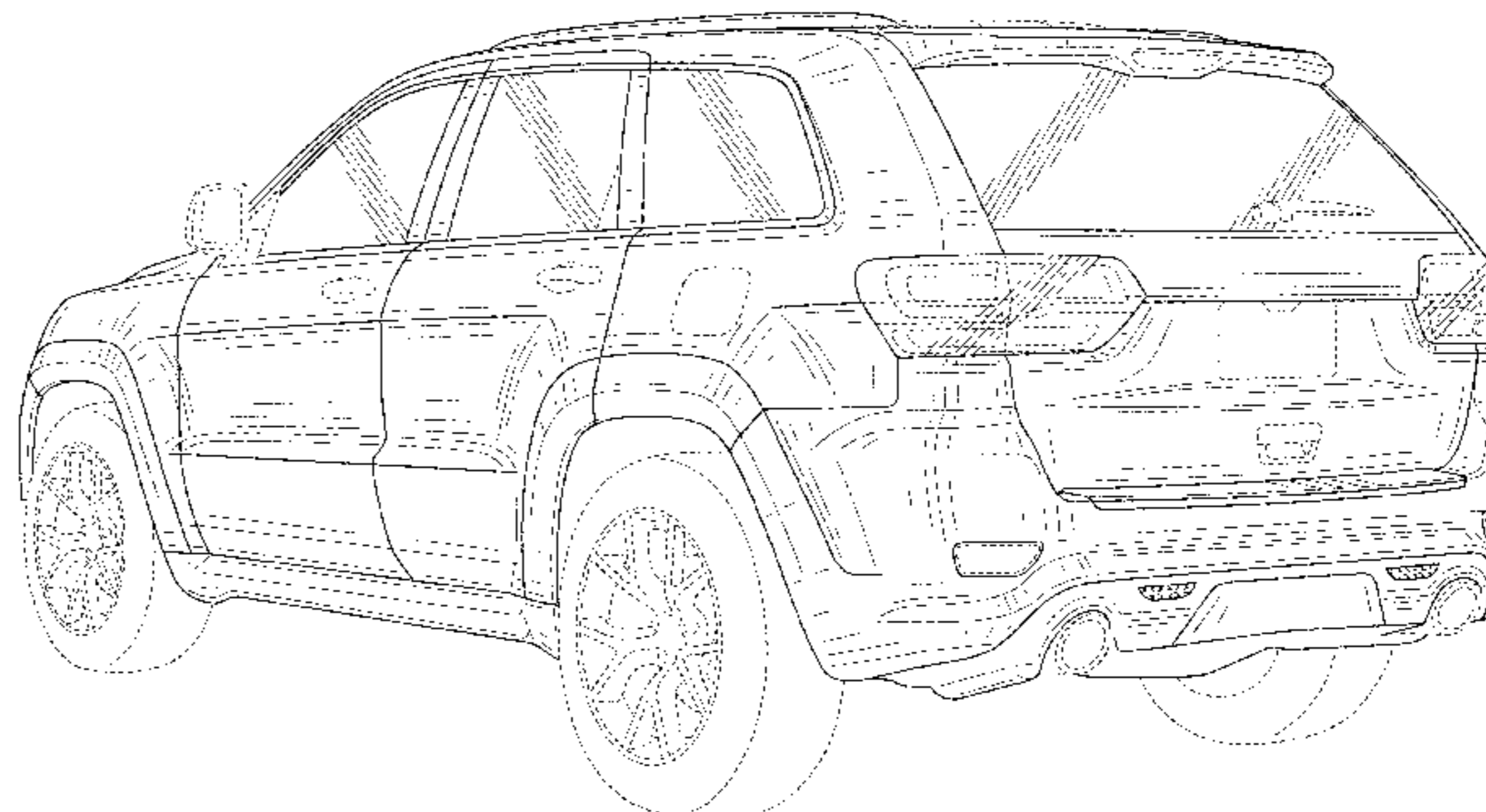
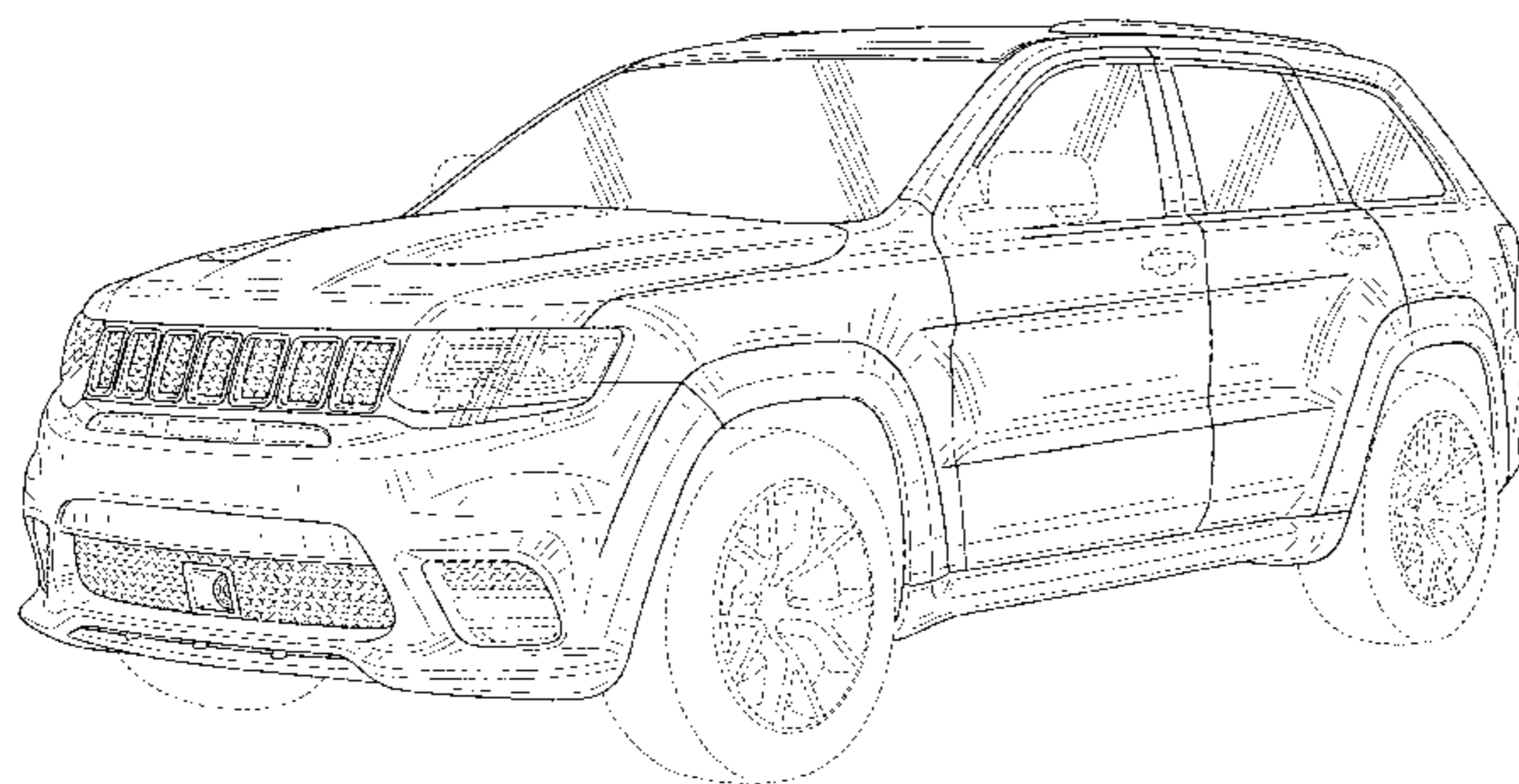
The ornamental design for an automobile, as shown and described.

DESCRIPTION

FIG. 1 is a front perspective view of an automobile showing our new design;
FIG. 2 is a rear perspective view thereof;
FIG. 3 is a front view thereof;
FIG. 4 is a rear view thereof;
FIG. 5 is a side view thereof; and,
FIG. 6 is a top plan view.

It will be understood that the broken lines shown in the drawings illustrate portions of the automobile that form no part of claimed design.

1 Claim, 5 Drawing Sheets



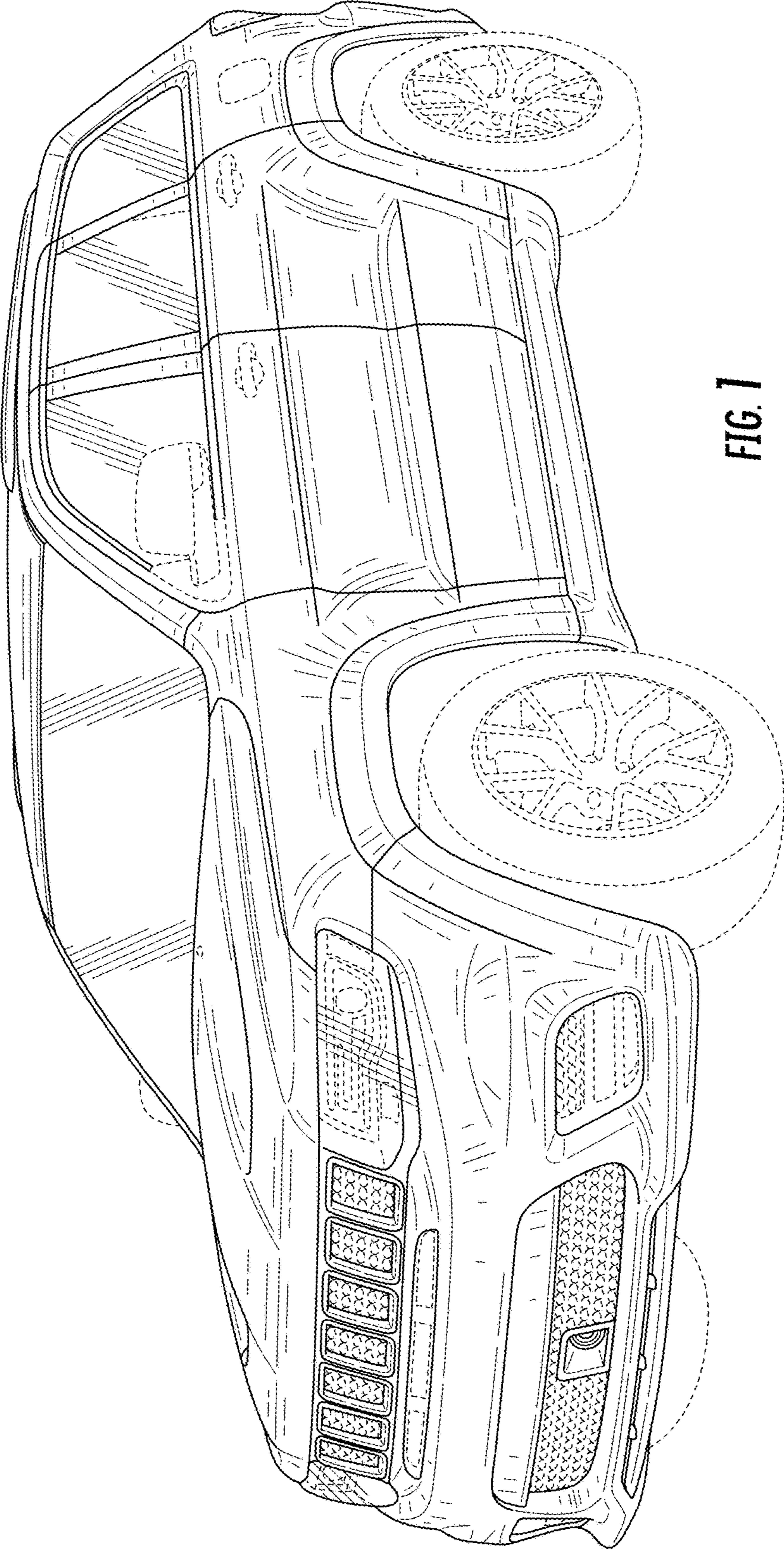


FIG. 1

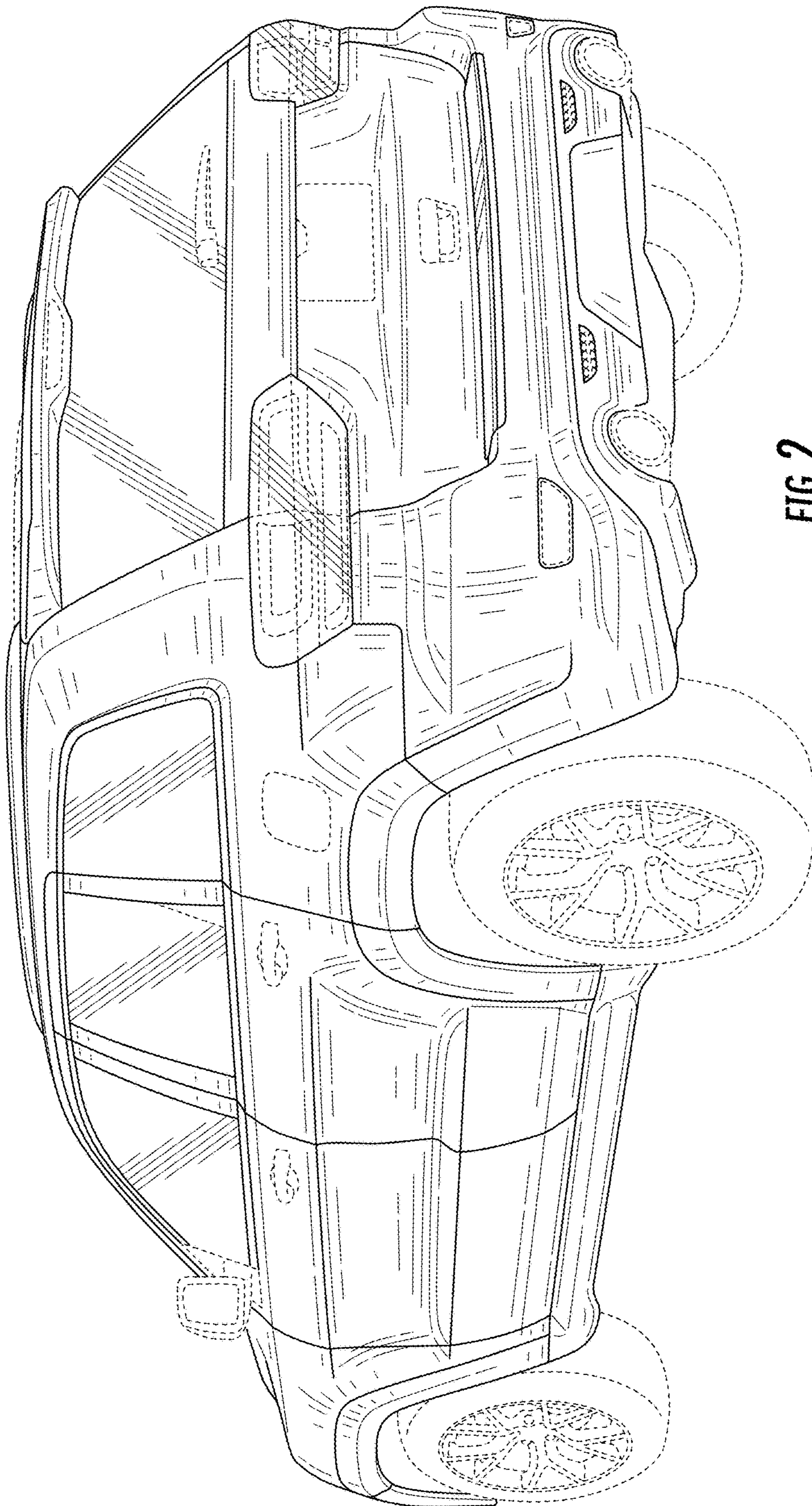


FIG. 2

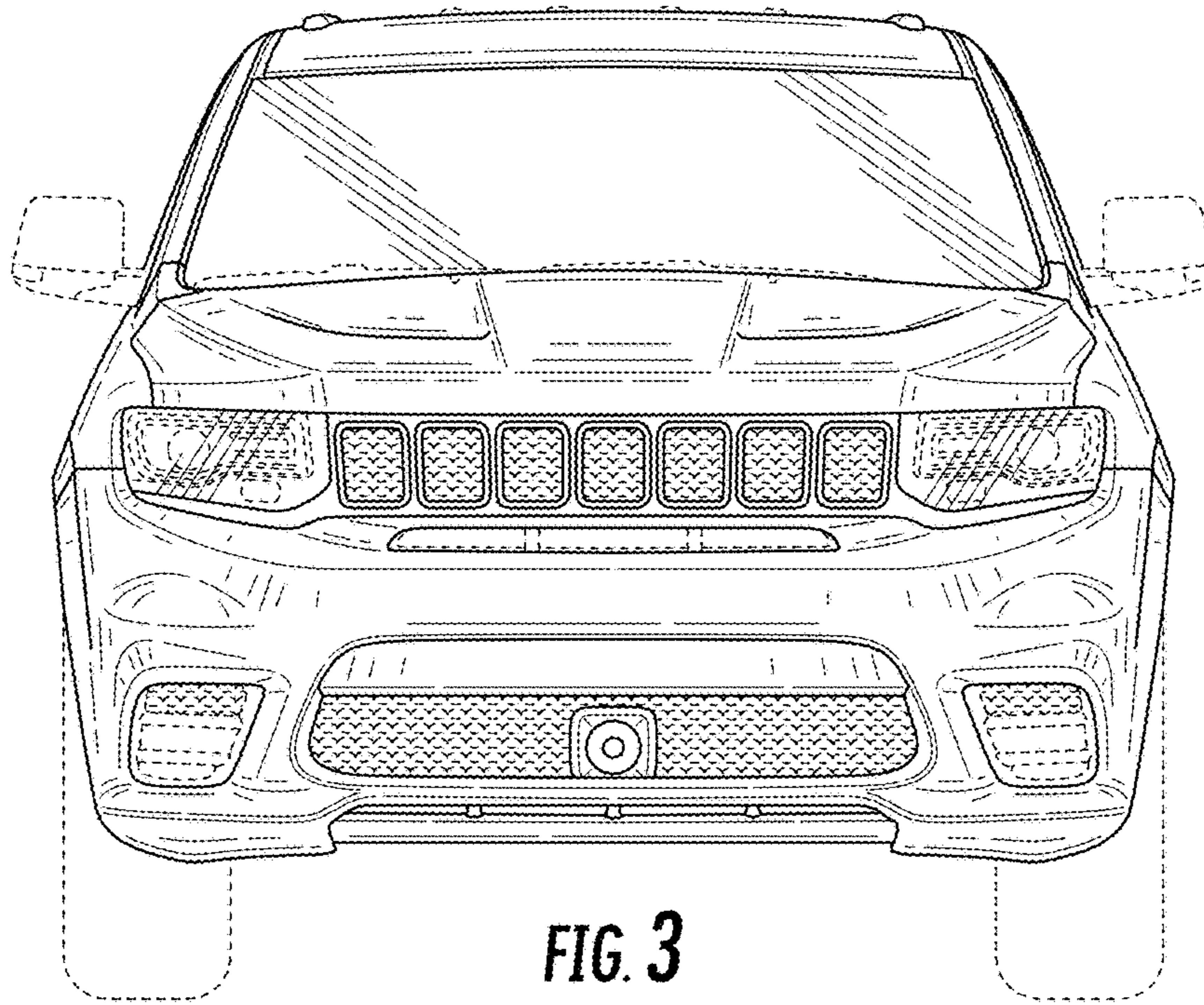


FIG. 3

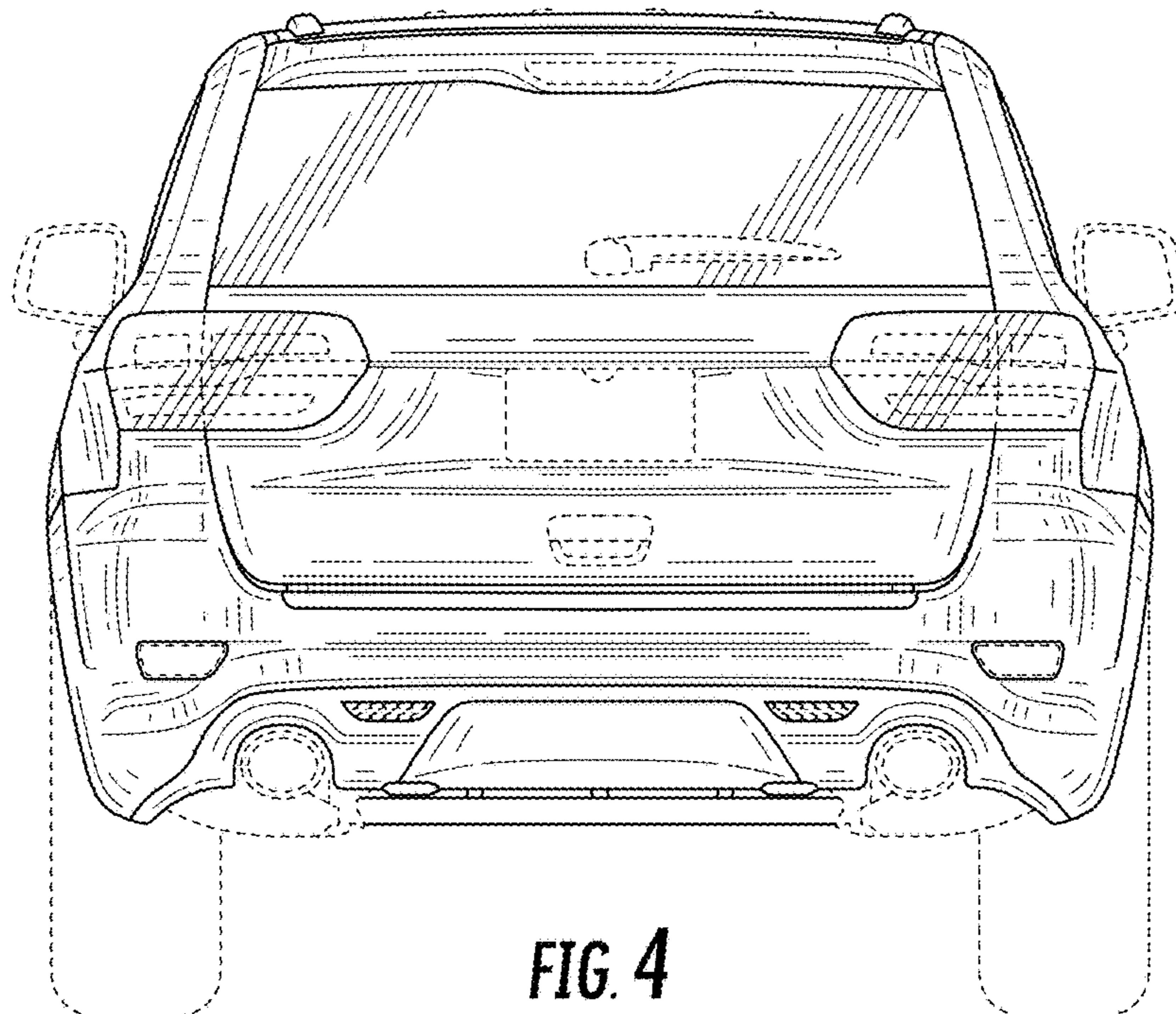


FIG. 4

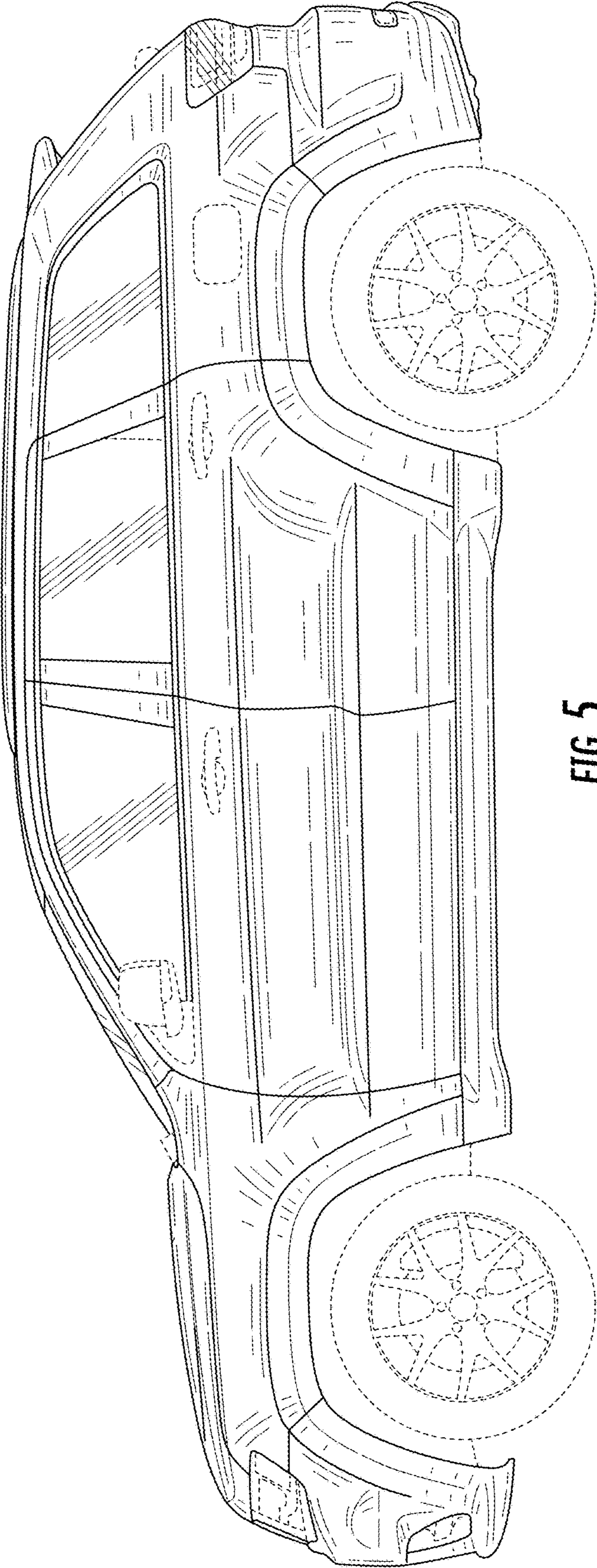


FIG. 5

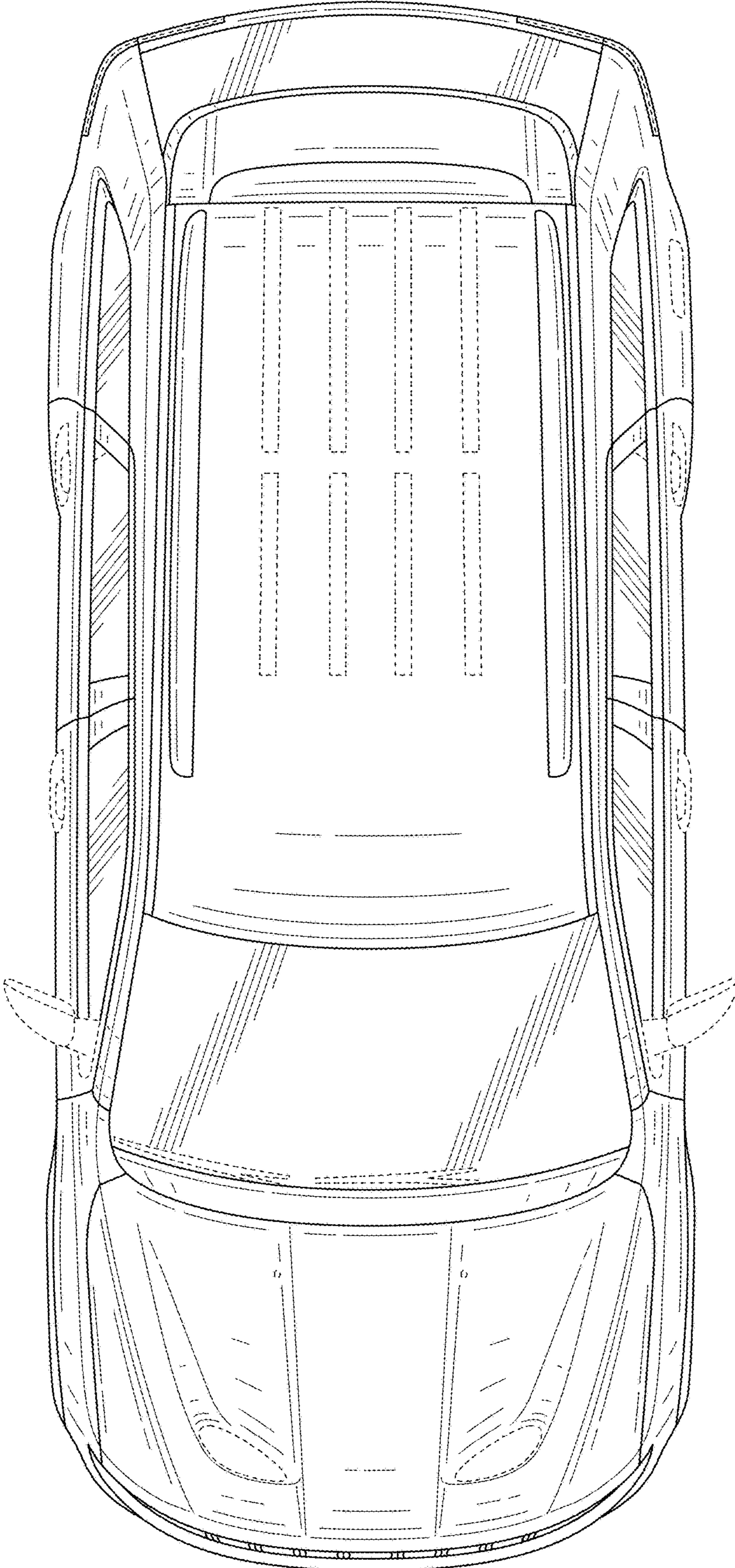


FIG. 6