



US00D801860S

(12) **United States Design Patent**  
**Piscitelli et al.**

(10) **Patent No.:** **US D801,860 S**

(45) **Date of Patent:** **\*\* Nov. 7, 2017**

(54) **AUTOMOBILE**

(71) Applicants: **Chris Piscitelli**, West Bloomfield, MI (US); **Mark T Allen**, Oxford, MI (US)

(72) Inventors: **Chris Piscitelli**, West Bloomfield, MI (US); **Mark T Allen**, Oxford, MI (US)

(73) Assignee: **FCA US LLC**, Auburn Hills, MI (US)

(\*\*) Term: **15 Years**

(21) Appl. No.: **29/577,907**

(22) Filed: **Sep. 16, 2016**

(51) **LOC (10) Cl.** ..... **12-08**

(52) **U.S. Cl.**  
USPC ..... **D12/91**

(58) **Field of Classification Search**  
USPC ..... D12/90-92, 164, 169, 196;  
296/181.1-181.5; D21/548, 560  
CPC ..... B60Y 2306/01; B60K 11/085  
See application file for complete search history.

(56) **References Cited**

**U.S. PATENT DOCUMENTS**

D389,438 S *	1/1998	Guichard	.....	D12/98
D497,572 S *	10/2004	Widmann	.....	D12/91
D507,766 S *	7/2005	McMahan	.....	D12/91
D534,836 S *	1/2007	Moushegian	.....	D12/91
D535,585 S *	1/2007	Moushegian	.....	D12/91

D554,563 S *	11/2007	Moushegian	.....	D12/91
D565,466 S *	4/2008	Moushegian	.....	D12/91
D568,792 S *	5/2008	Moushegian	.....	D12/91
D573,507 S *	7/2008	Moushegian	.....	D12/91
D631,395 S *	1/2011	Tandrup	.....	D12/14
8,079,602 B2 *	12/2011	Kinsman	.....	B60G 15/063 280/5.512
D682,759 S *	5/2013	Oliver	.....	D12/196
D701,473 S *	3/2014	Palmer	.....	D12/129

\* cited by examiner

*Primary Examiner* — John Windmuller

*Assistant Examiner* — Melvin L Davis

(74) *Attorney, Agent, or Firm* — Ralph E. Smith

(57) **CLAIM**

The ornamental design for an automobile, as shown and described.

**DESCRIPTION**

FIG. 1 is a front perspective view of an automobile showing our new design;

FIG. 2 is a rear perspective view thereof;

FIG. 3 is a front view thereof;

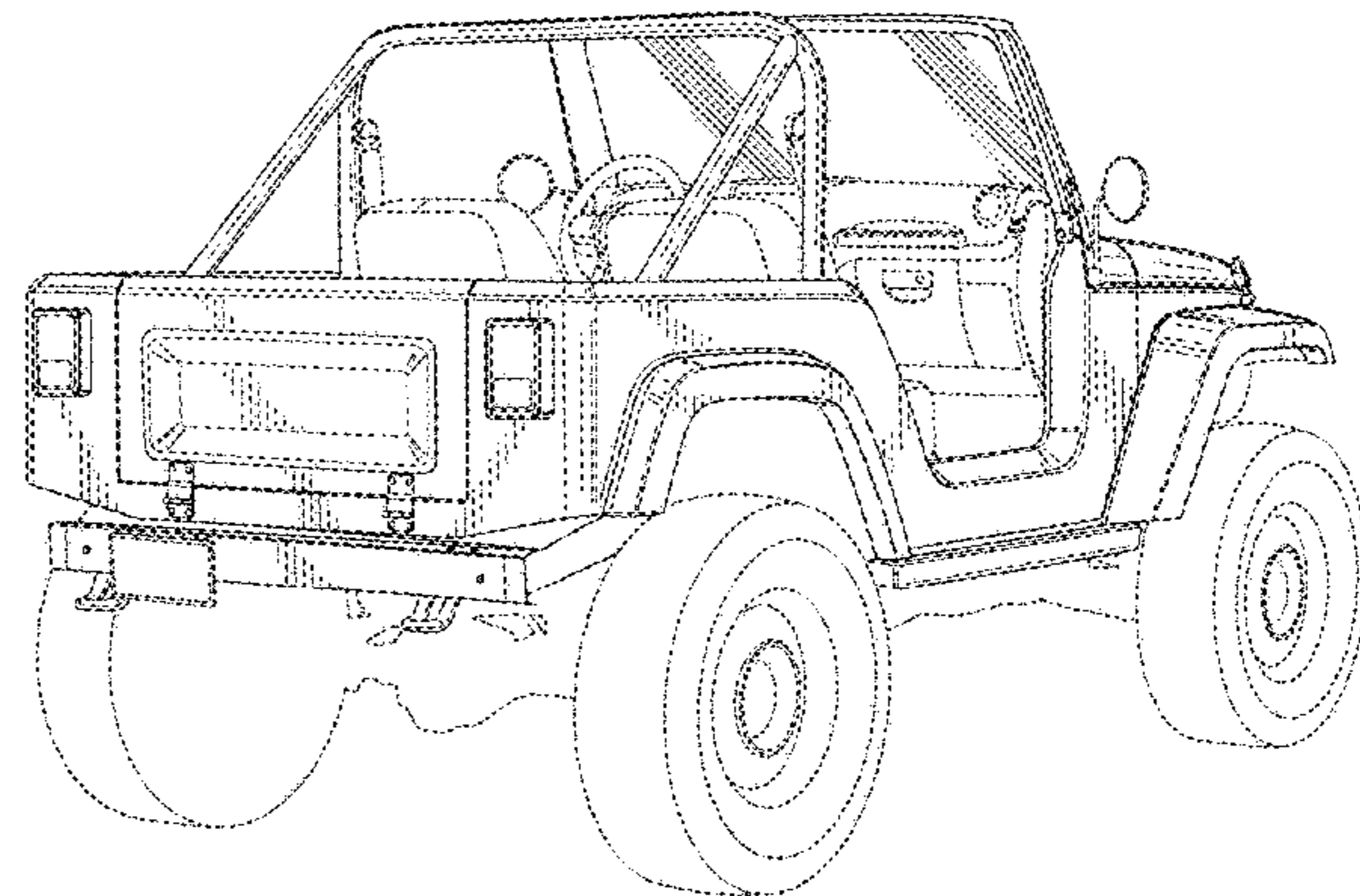
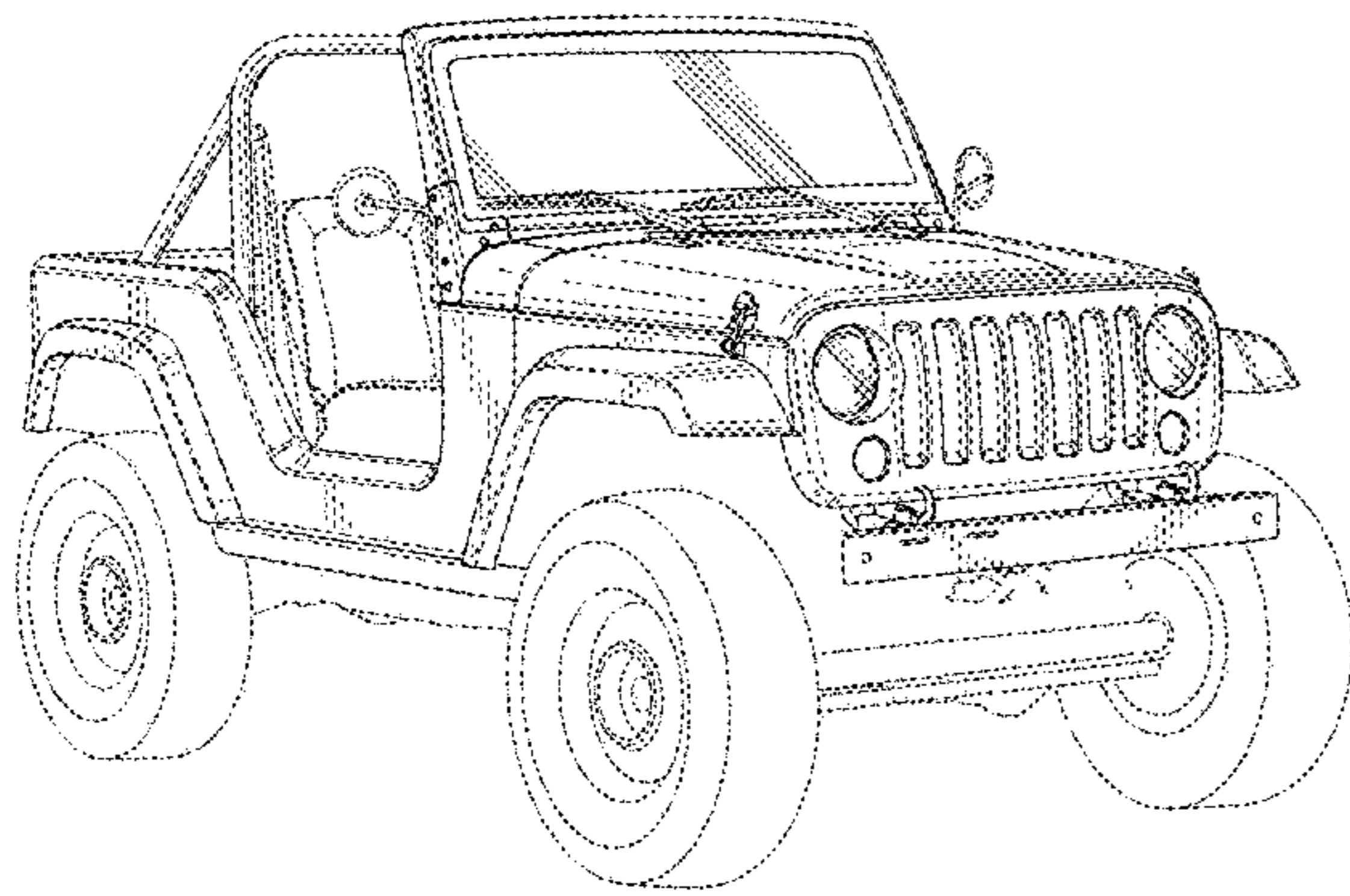
FIG. 4 is a back view thereof;

FIG. 5 is a right side view thereof; and,

FIG. 6 is a left side thereof.

It will be understood that the broken lines shown in the drawings illustrate portions of the automobile that form no part of claimed design.

**1 Claim, 6 Drawing Sheets**



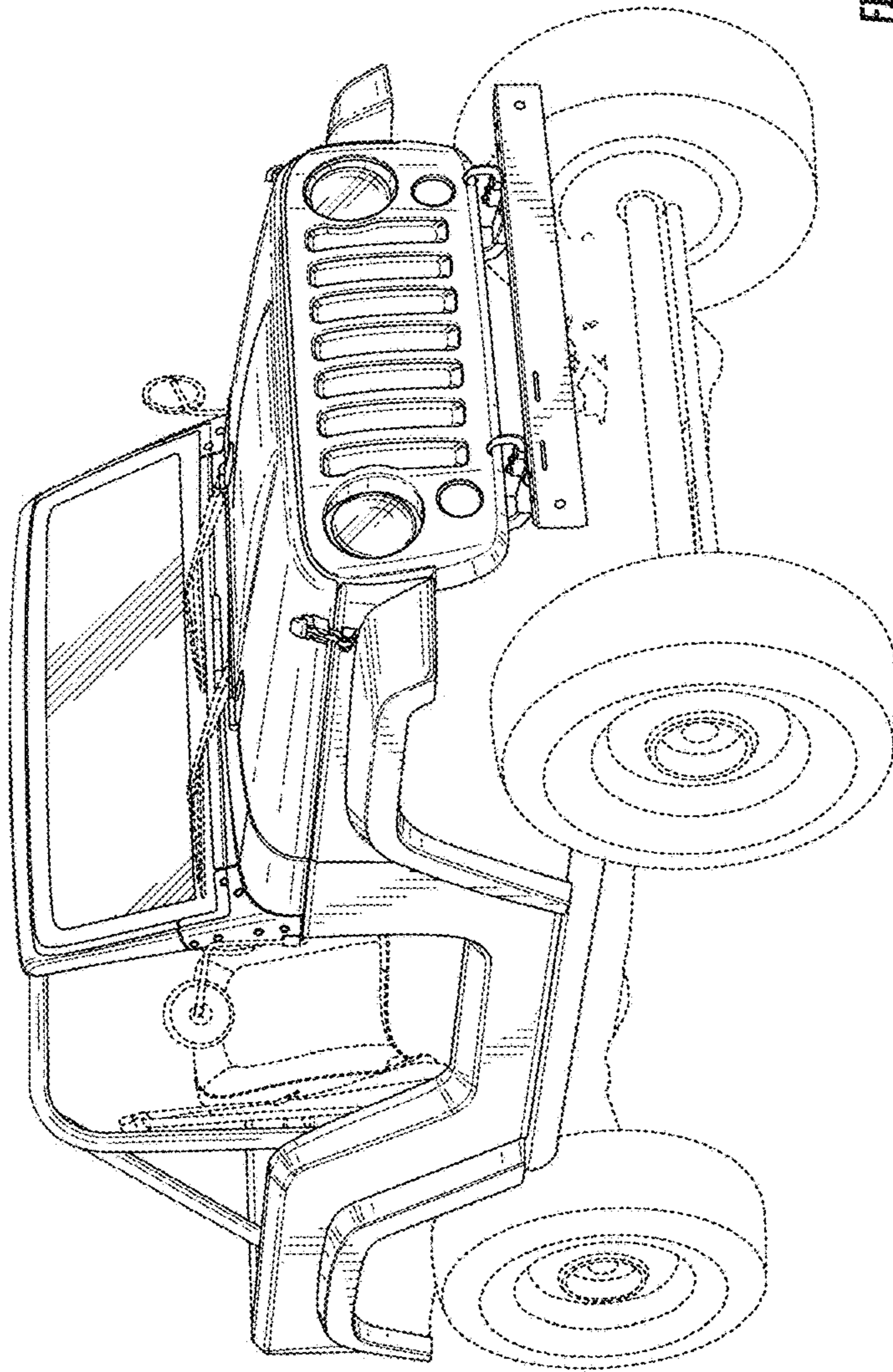
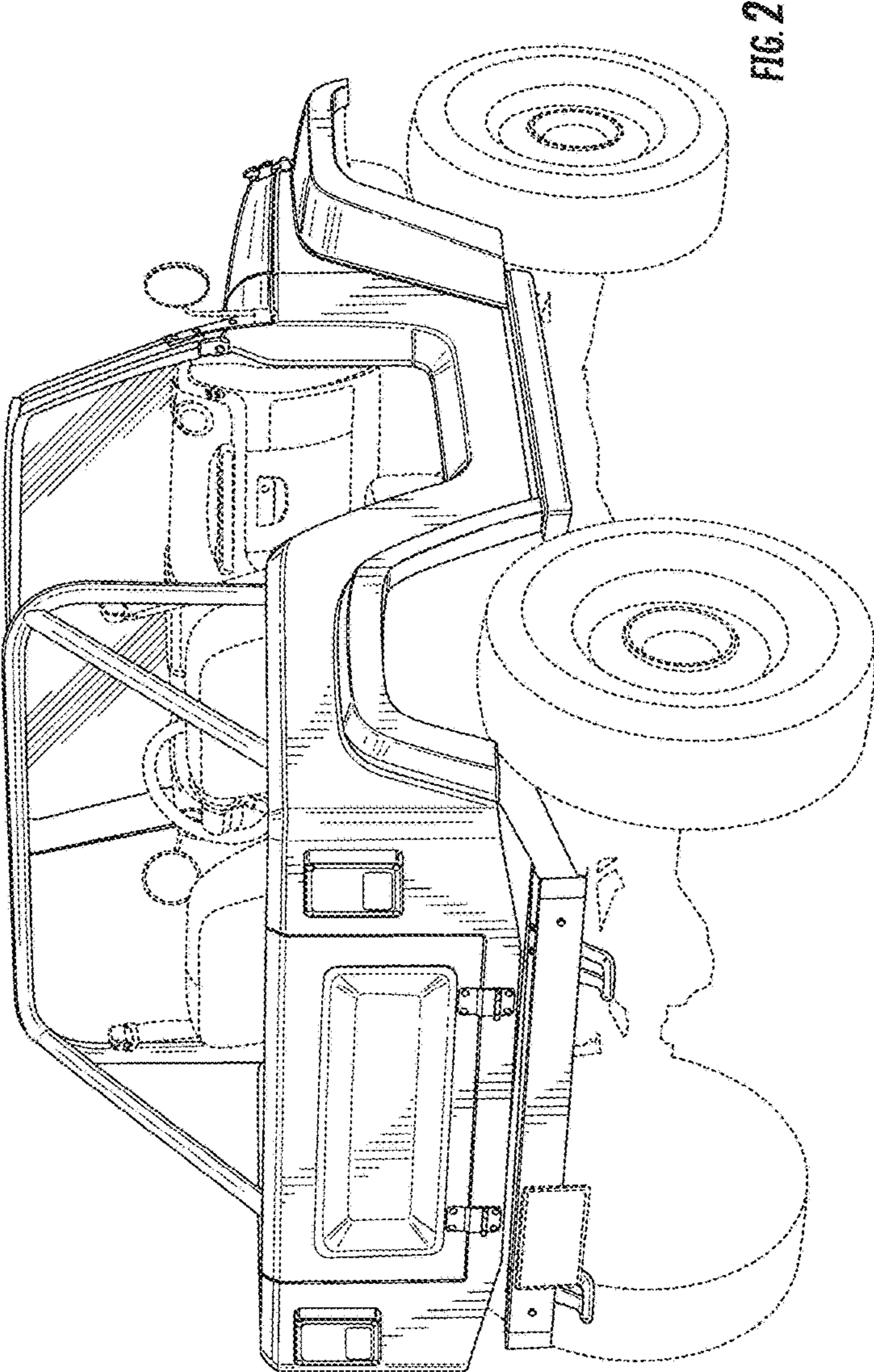


FIG. 1



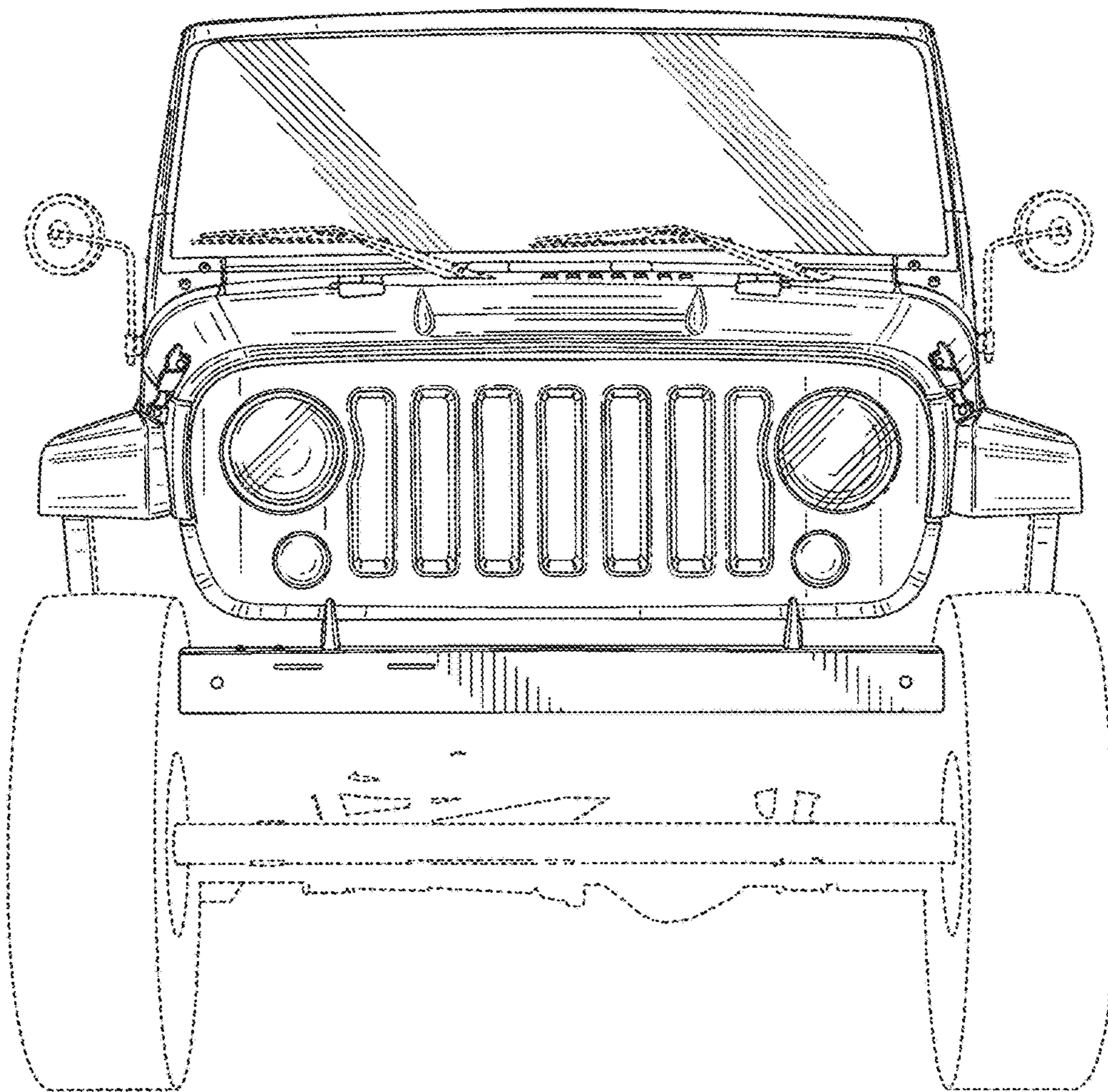
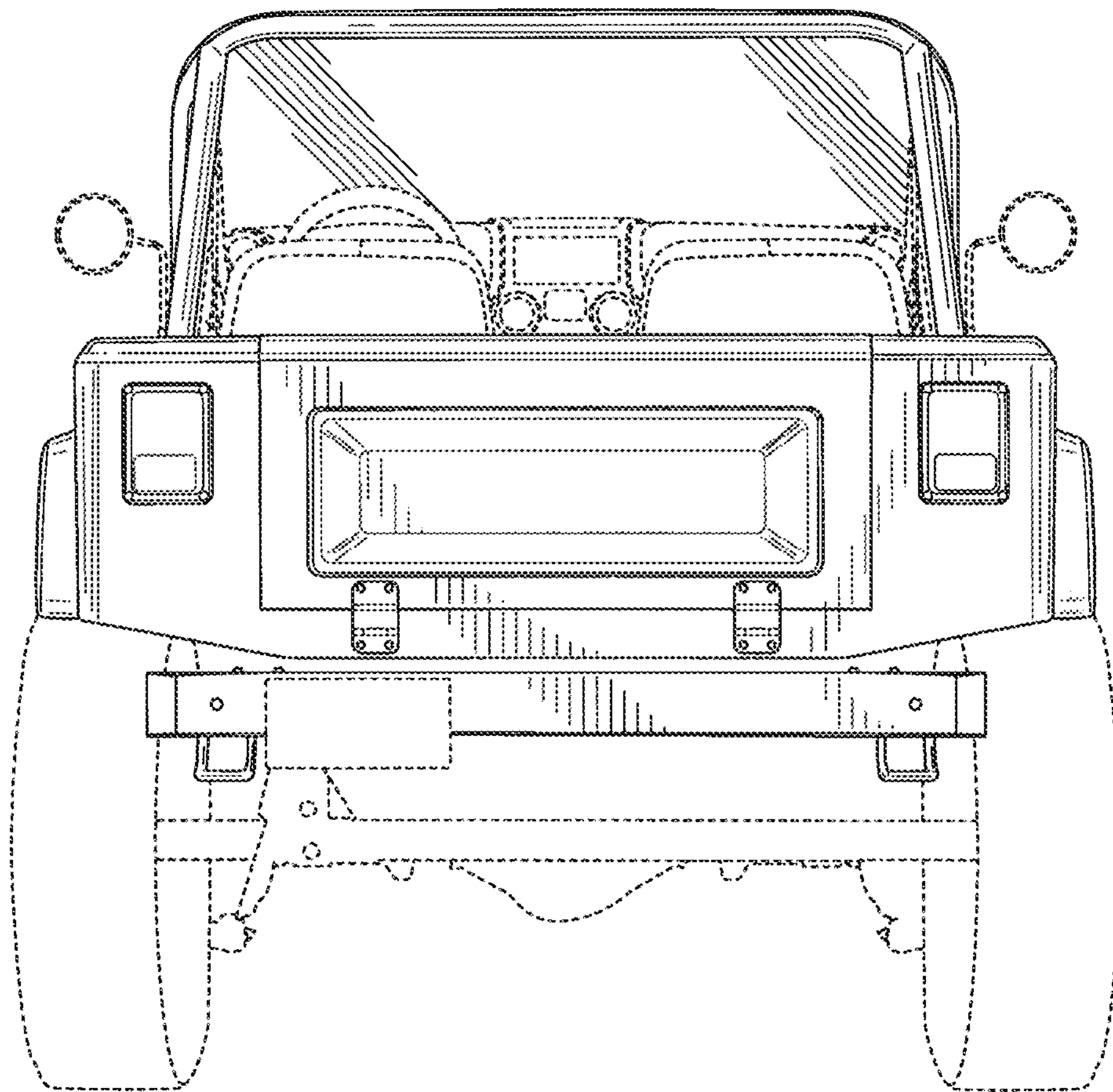


FIG. 3



**FIG. 4**

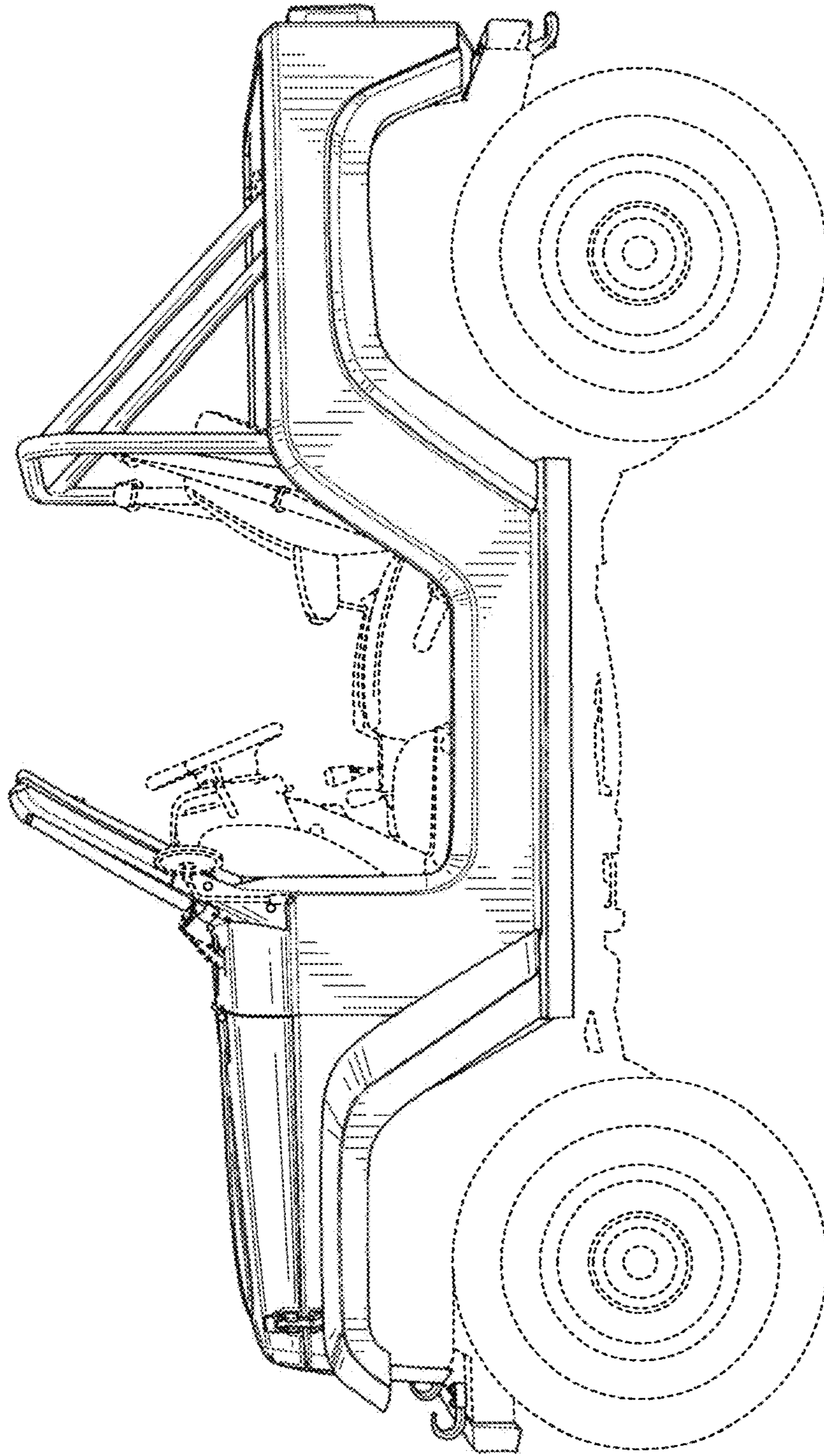


FIG. 5

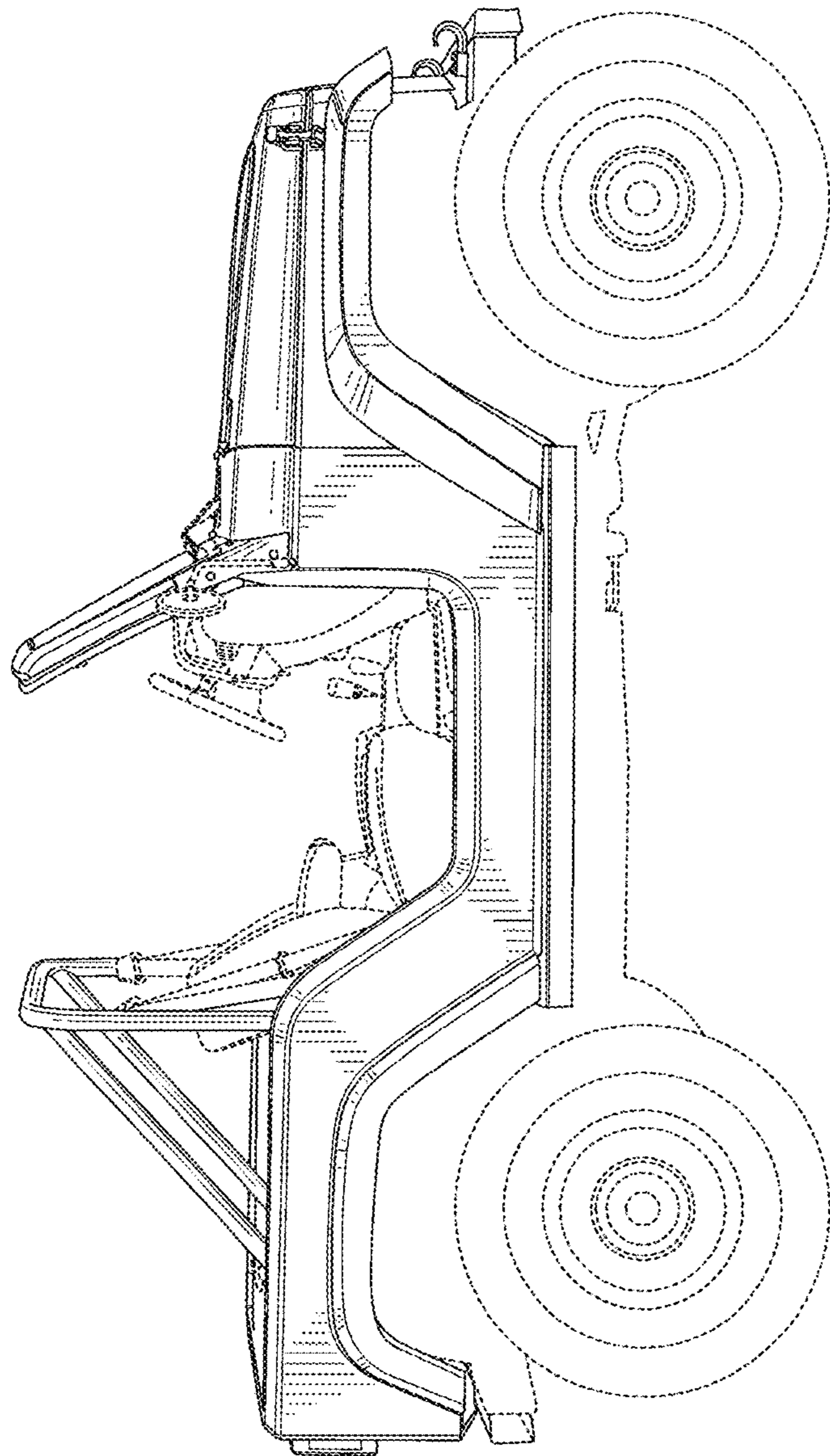


FIG. 6