



US00D801859S

(12) **United States Design Patent** (10) **Patent No.:** **US D801,859 S**
Hagino et al. (45) **Date of Patent:** **** Nov. 7, 2017**

(54) **PASSENGER CAR**
(71) Applicant: **Fuji Jukogyo Kabushiki Kaisha,**
Tokyo (JP)
(72) Inventors: **Takashi Hagino,** Tokyo (JP);
Yoshifumi Tomita, Tokyo (JP); **Shinya**
Murase, Tokyo (JP)
(73) Assignee: **Subaru Corporation,** Tokyo (JP)

D651,942 S * 1/2012 Cho D12/91
D726,591 S * 4/2015 Jacob D12/91
D731,923 S * 6/2015 Tanaka D12/91
D733,613 S * 7/2015 Tomatsu D12/91
D743,303 S * 11/2015 Huang D12/91
9,211,836 B2 * 12/2015 Eckert B60Q 1/0416
D765,545 S * 9/2016 Oh D12/91
D770,941 S * 11/2016 Jeon D12/91
D781,181 S * 3/2017 Giolito D12/91
D784,857 S * 4/2017 Ishii D12/91
D788,644 S * 6/2017 Mueller D12/91

(**) Term: **15 Years**

* cited by examiner

(21) Appl. No.: **29/575,588**

Primary Examiner — John Windmuller

Assistant Examiner — Melvin L Davis

(22) Filed: **Aug. 26, 2016**

(74) *Attorney, Agent, or Firm* — Schiff Hardin LLP

(30) **Foreign Application Priority Data**

Feb. 26, 2016 (JP) 2016004190

(51) **LOC (10) Cl.** **12-08**

(52) **U.S. Cl.**
USPC **D12/91**

(58) **Field of Classification Search**
USPC D12/90–92, 164, 169, 196;
296/181.1–181.5; D21/548, 560
CPC B60Y 2306/01; B60K 11/085
See application file for complete search history.

(57) **CLAIM**

We claim the ornamental design for a passenger car, as shown and described.

(56) **References Cited**

U.S. PATENT DOCUMENTS

D512,000 S * 11/2005 Suzuki D12/91
D538,711 S * 3/2007 Sawai D12/91

DESCRIPTION

FIG. 1 is a front perspective view of a “passenger car” showing my new design,
FIG. 2 is a rear perspective view thereof,
FIG. 3 is a front view thereof,
FIG. 4 is a rear view thereof,
FIG. 5 is a top view thereof,
FIG. 6 is a left-side view thereof; and,
FIG. 7 is a right-side view thereof.

1 Claim, 7 Drawing Sheets



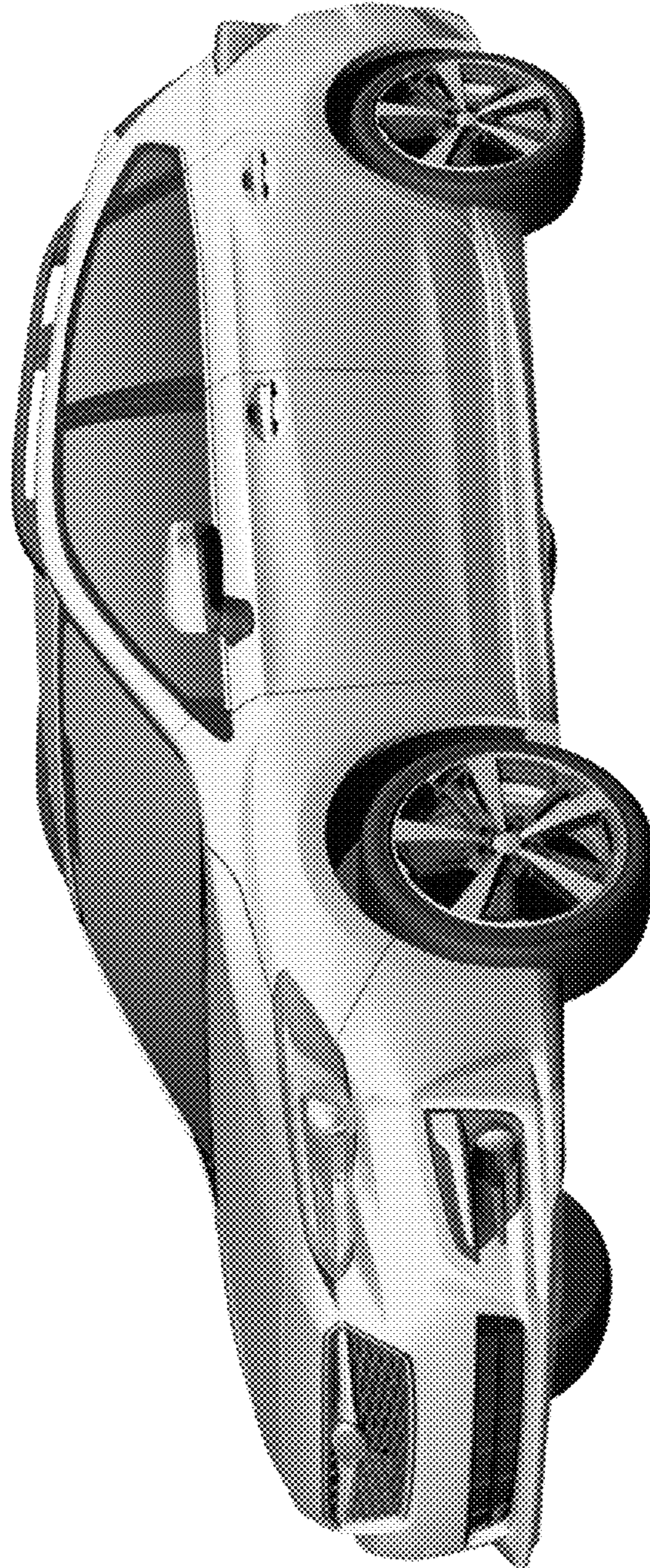


Fig. 1

Fig. 2



Fig. 3

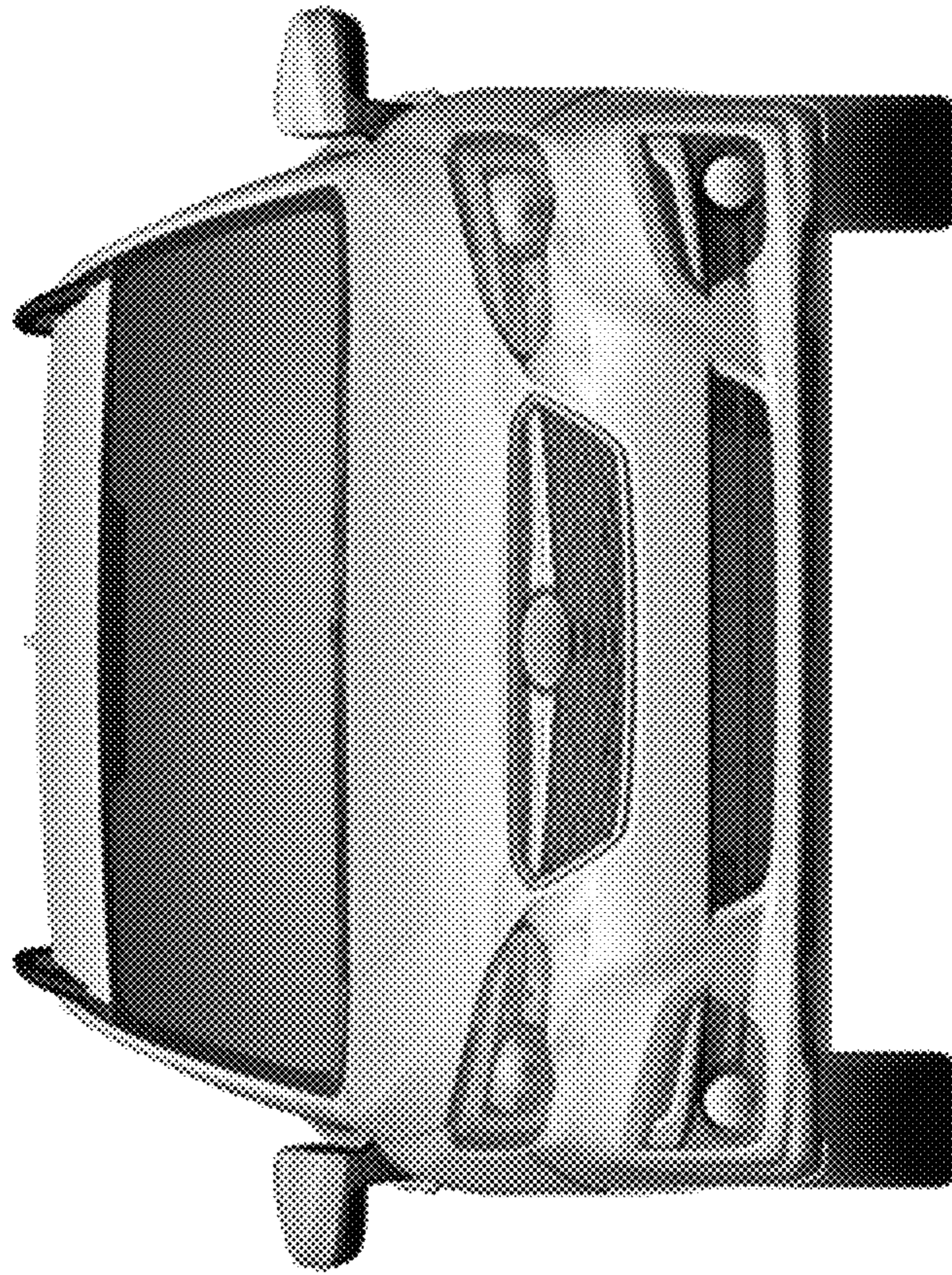


Fig. 4

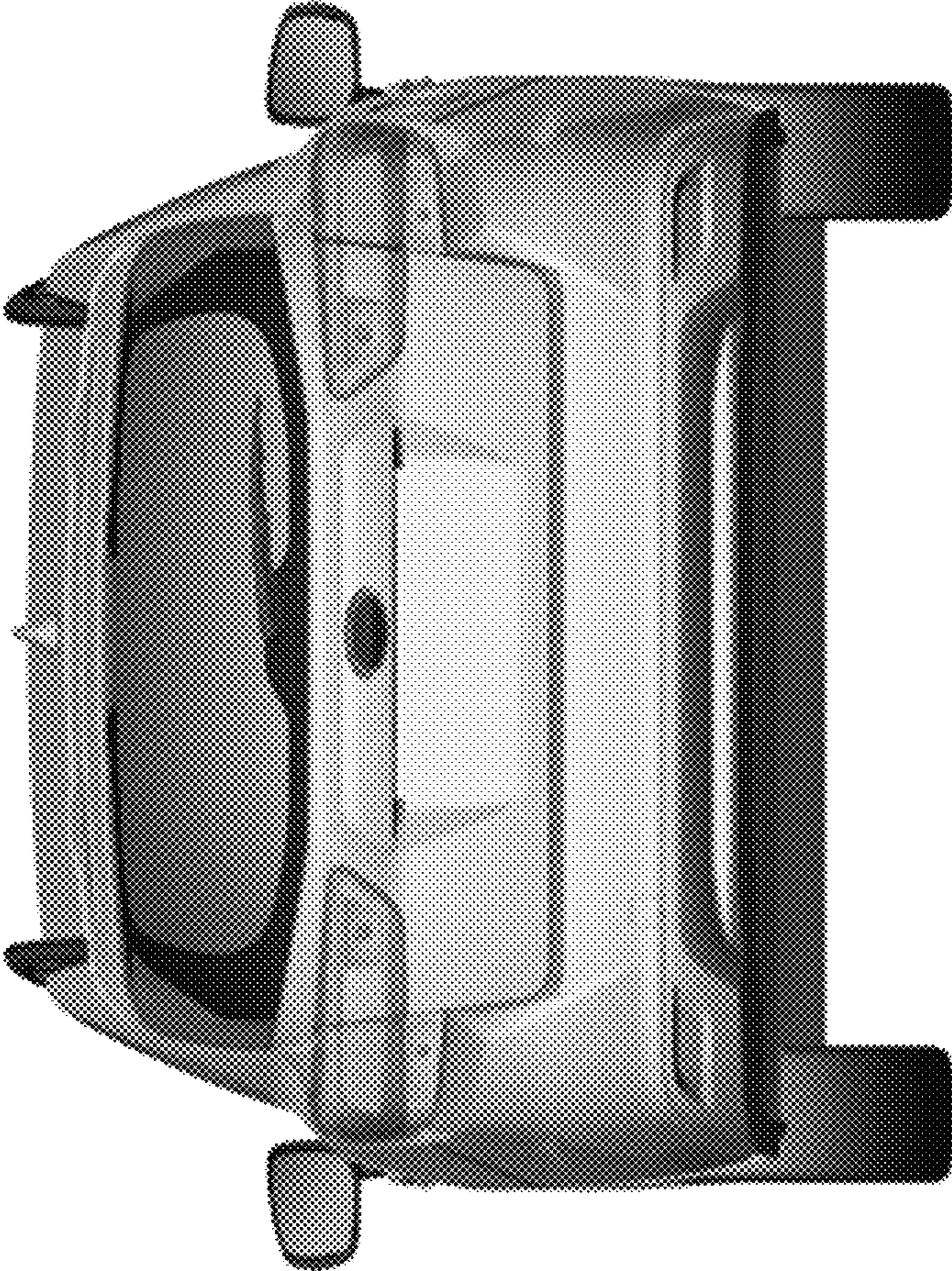


Fig. 5



Fig. 6



Fig. 7

