



US00D801855S

(12) **United States Design Patent** (10) **Patent No.:** **US D801,855 S**
Wen et al. (45) **Date of Patent:** **** Nov. 7, 2017**

(54) **TERMINAL TRACTOR**

(56) **References Cited**

(71) Applicant: **BYD COMPANY LIMITED**,
Shenzhen, Guangdong (CN)
(72) Inventors: **Shaohua Wen**, Shenzhen (CN);
Mengzhu Zhao, Shenzhen (CN); **Ya
Zhang**, Shenzhen (CN); **Shisheng
Zeng**, Shenzhen (CN); **Zhigang Liu**,
Shenzhen (CN)
(73) Assignee: **BYD COMPANY LIMITED**,
Shenzhen (CN)

U.S. PATENT DOCUMENTS

D176,040 S * 11/1955 Schaffer et al. D12/14
4,111,273 A * 9/1978 Blackburn B62D 49/007
180/14.1
4,321,977 A * 3/1982 Tenn B60P 1/6445
180/12
D279,660 S * 7/1985 Martin, Jr. D12/96
D299,322 S * 1/1989 Page D12/14
D306,170 S * 2/1990 Takagi D15/23
D310,342 S * 9/1990 Formoso D12/14
D311,505 S * 10/1990 Reinhart D12/14
D317,276 S * 6/1991 Sousek D12/14
D425,446 S * 5/2000 Schnell D12/14
D463,326 S * 9/2002 Takeda D12/14
D463,805 S * 10/2002 Witte D15/23

(**) Term: **15 Years**

(21) Appl. No.: **29/573,092**

(22) Filed: **Aug. 2, 2016**

(30) **Foreign Application Priority Data**

Feb. 3, 2016 (CN) 2016 3 0039214

(51) **LOC (10) Cl.** **15-03**

(52) **U.S. Cl.**
USPC **D12/14; D15/33; D15/23**

(58) **Field of Classification Search**
USPC D12/1, 12-15, 82, 86, 96, 99; D15/10,
D15/14, 15, 22-26, 33; 56/12.7, 15.8,
56/16.7, 13.3, 10.1, 202, 320.1; 180/69.2,
180/89.1, 89.12, 900, 311, 234, 233, 908,
180/211, 19.2, 215, 65.1; 280/87.07,
280/DIG. 5; 414/460
CPC A01B 51/026; B62D 49/02; B62D 49/00;
B62D 49/007; B62D 33/06; B62D
33/0604; B62D 33/0617; B62D 33/00;
B62D 25/10; B62D 53/021; B62D
53/025; B62D 53/00; B62D 53/02; B62D
35/00; B62D 39/00; B62D 47/00; B62D
47/003; B62D 63/02; B60K 15/063;
B60K 15/073; B60K 2015/0637

See application file for complete search history.

(Continued)

Primary Examiner — Mark Goodwin

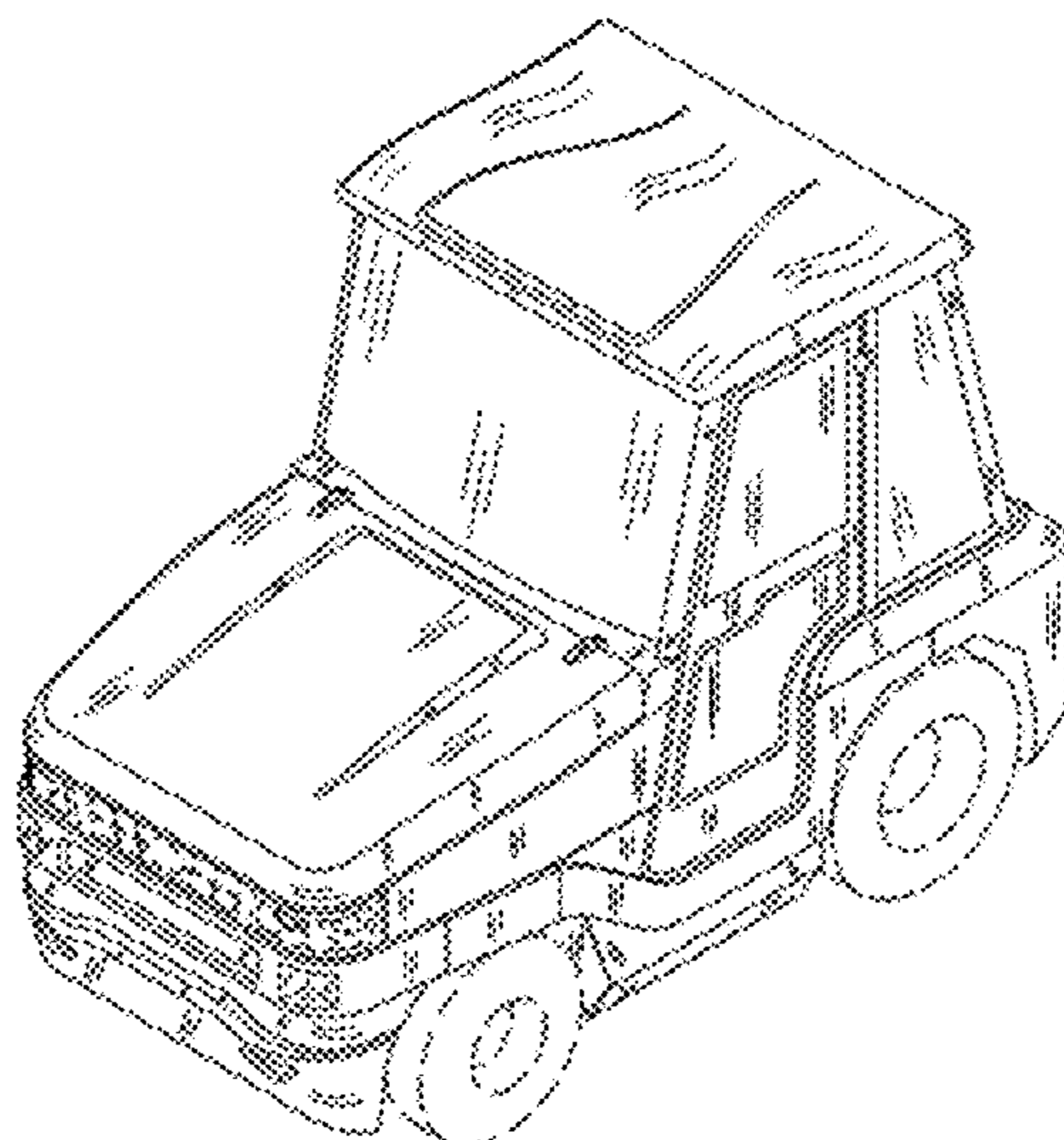
(57) **CLAIM**

The ornamental design for a terminal tractor, as shown and described.

DESCRIPTION

FIG. 1 is a left side view of a terminal tractor showing our new design;
FIG. 2 right-side view thereof;
FIG. 3 is a front view thereof;
FIG. 4 is a rear view thereof;
FIG. 5 is a top view thereof;
FIG. 6 is a top, front, and right perspective view thereof;
and,
FIG. 7 is a top, rear, and right perspective view thereof.
The bottom view of the terminal tractor is not visible during ordinary use and forms no part of the claimed design. The broken lines in FIGS. 1 through 7 illustrate portions of the terminal tractor that are not part of the claimed design.

1 Claim, 7 Drawing Sheets



(56)

References Cited

U.S. PATENT DOCUMENTS

D511,715 S *	11/2005	Hohnl	D12/14
D550,722 S *	9/2007	Doll	D15/23
D621,423 S *	8/2010	Nakanishi	D12/14
D703,699 S *	4/2014	Shimomura	D15/23
8,701,812 B2 *	4/2014	Uno	B62D 25/10 180/65.1
D711,778 S *	8/2014	Chun	D12/14
D724,997 S *	3/2015	Brew	D12/14
D764,972 S *	8/2016	Gonzalez	D12/14
D783,059 S *	4/2017	Okuyama	D15/23
D785,050 S *	4/2017	Okuyama	D15/23

* cited by examiner

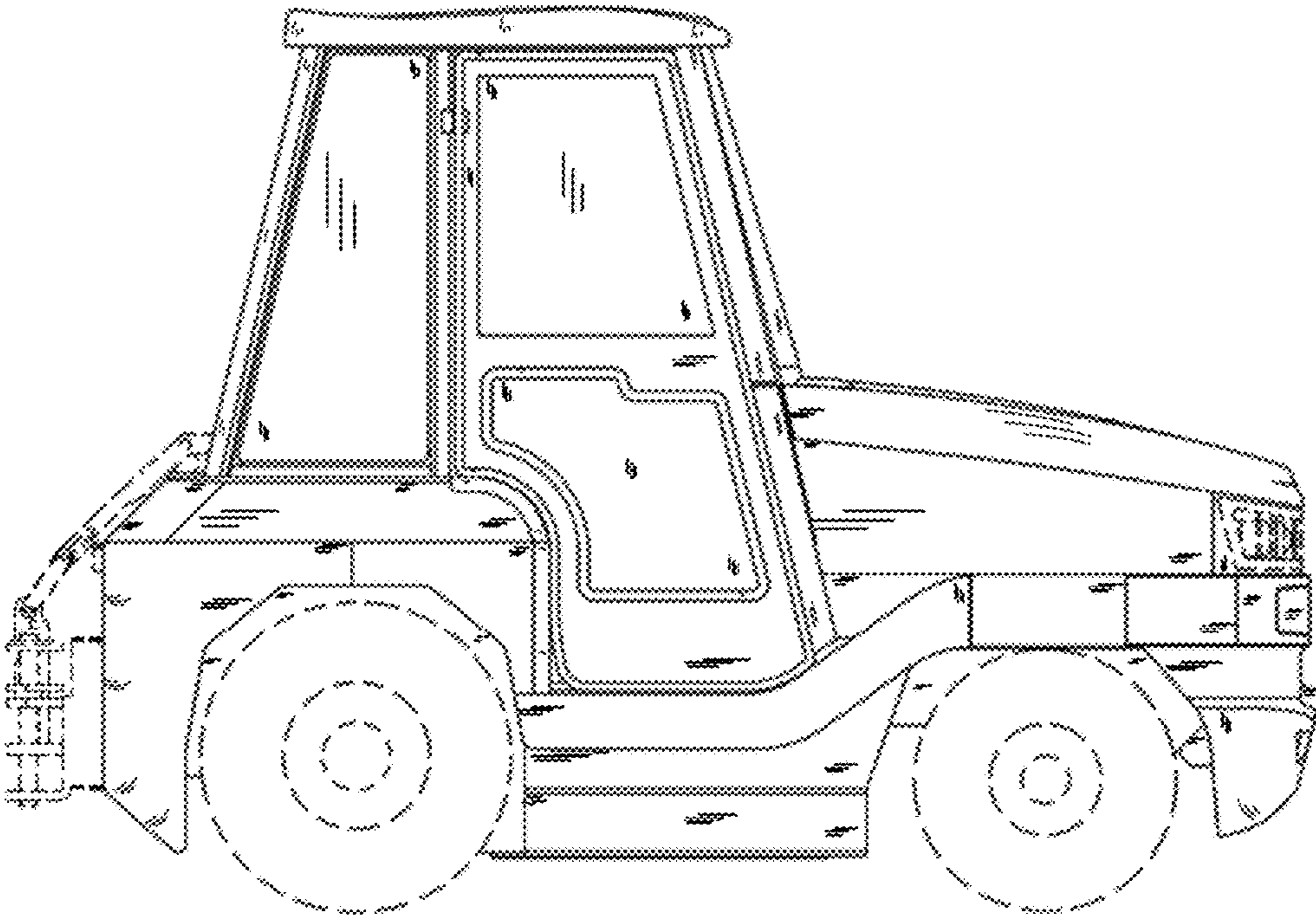


FIG. 1

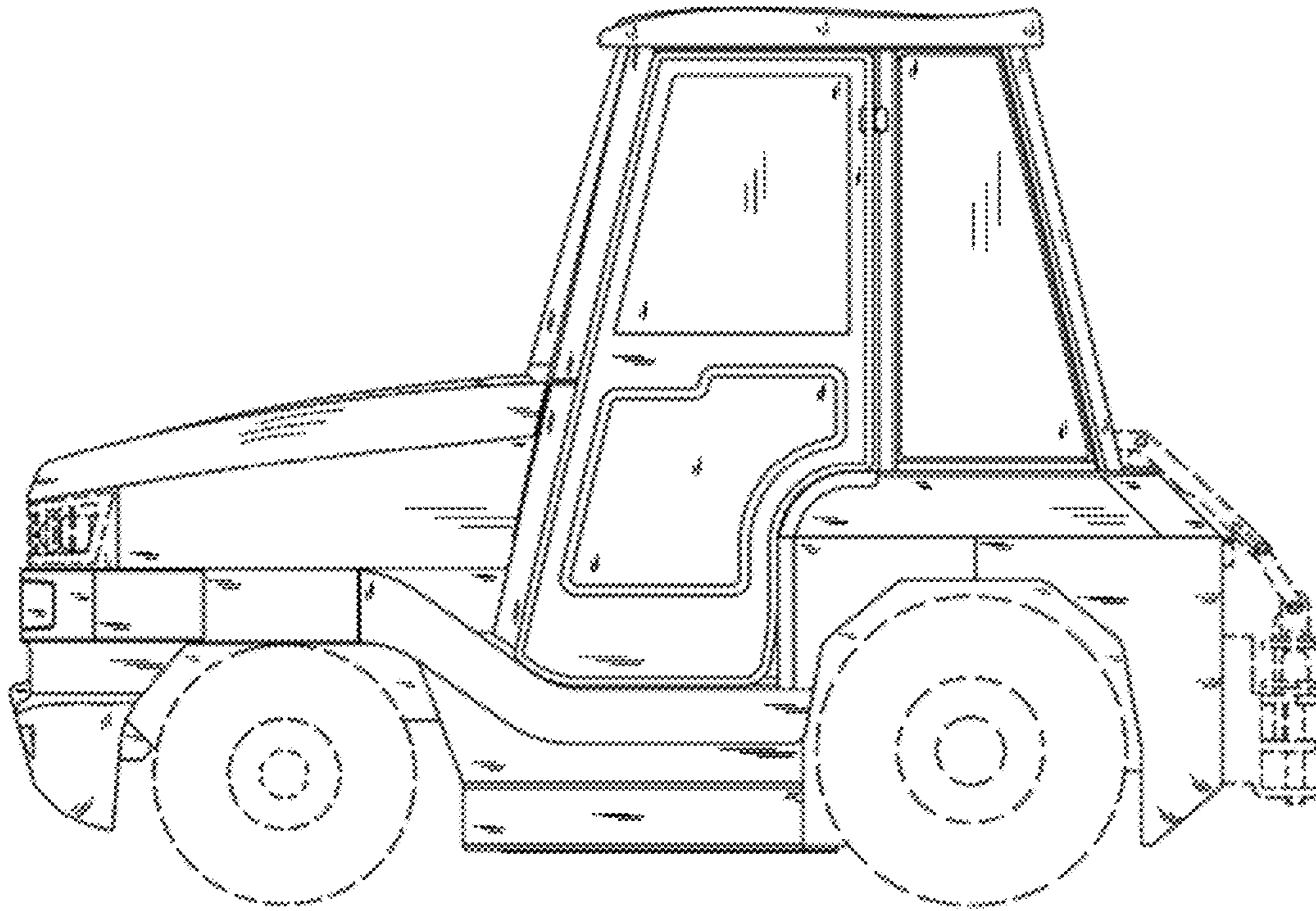


FIG. 2

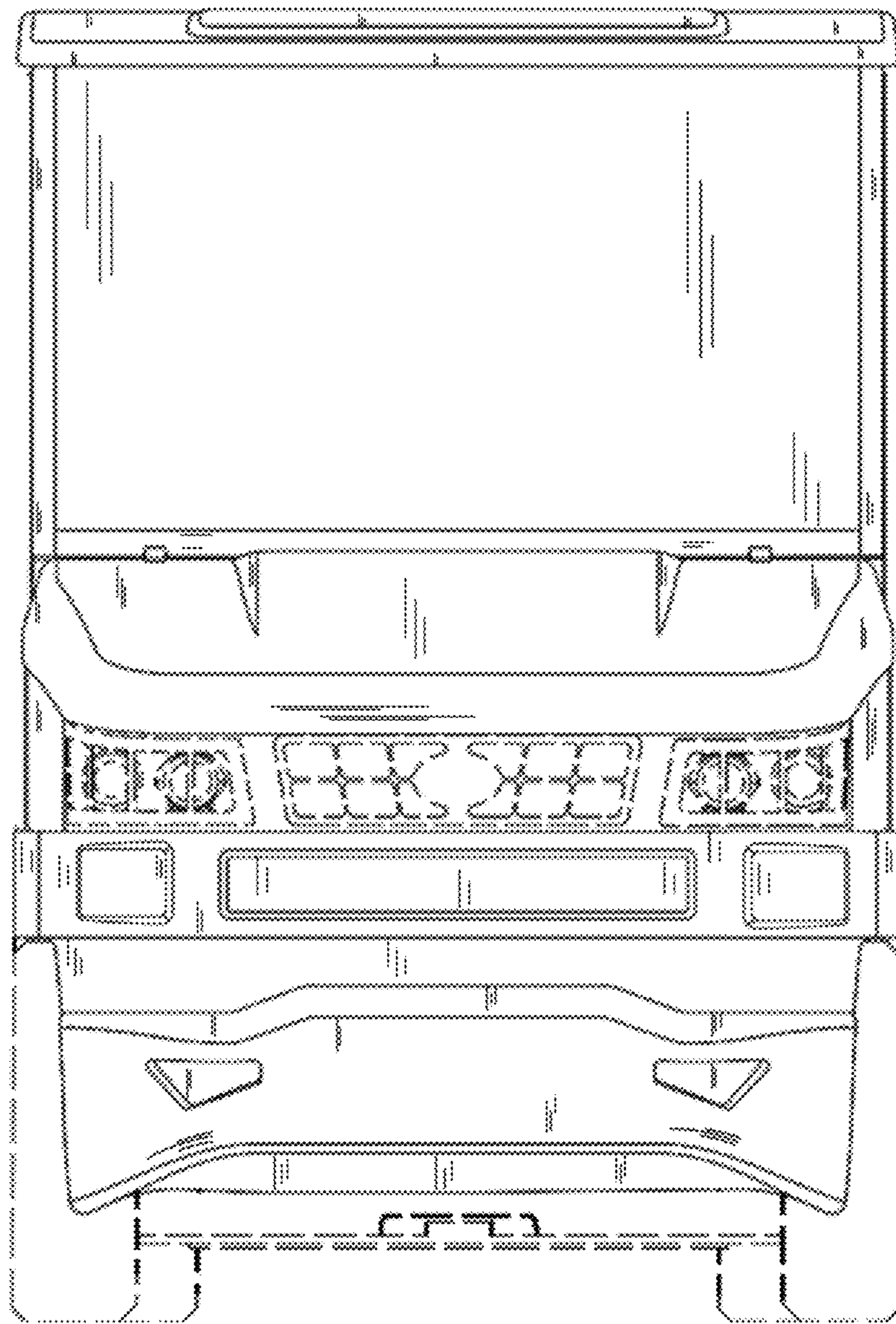


FIG. 3

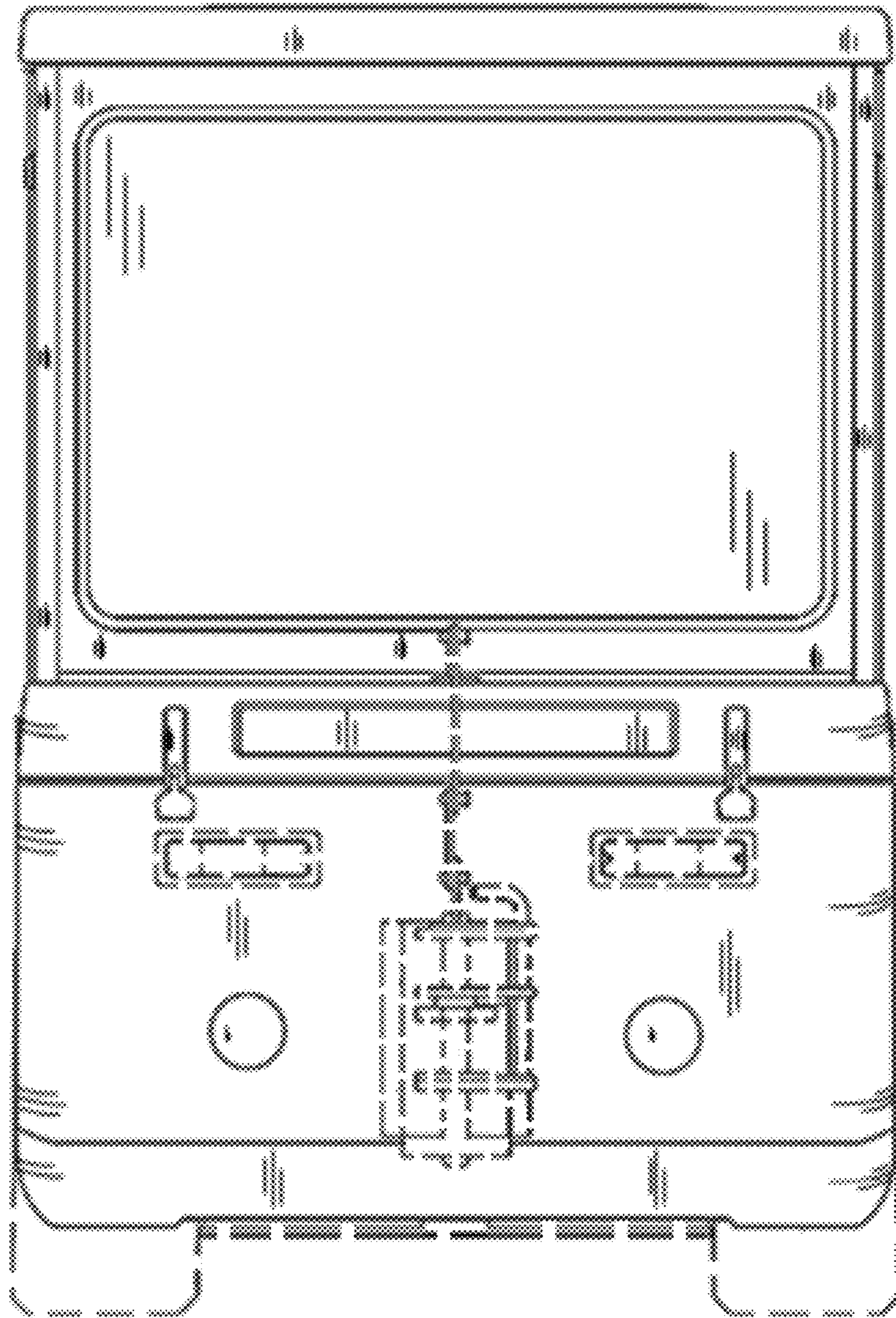


FIG. 4

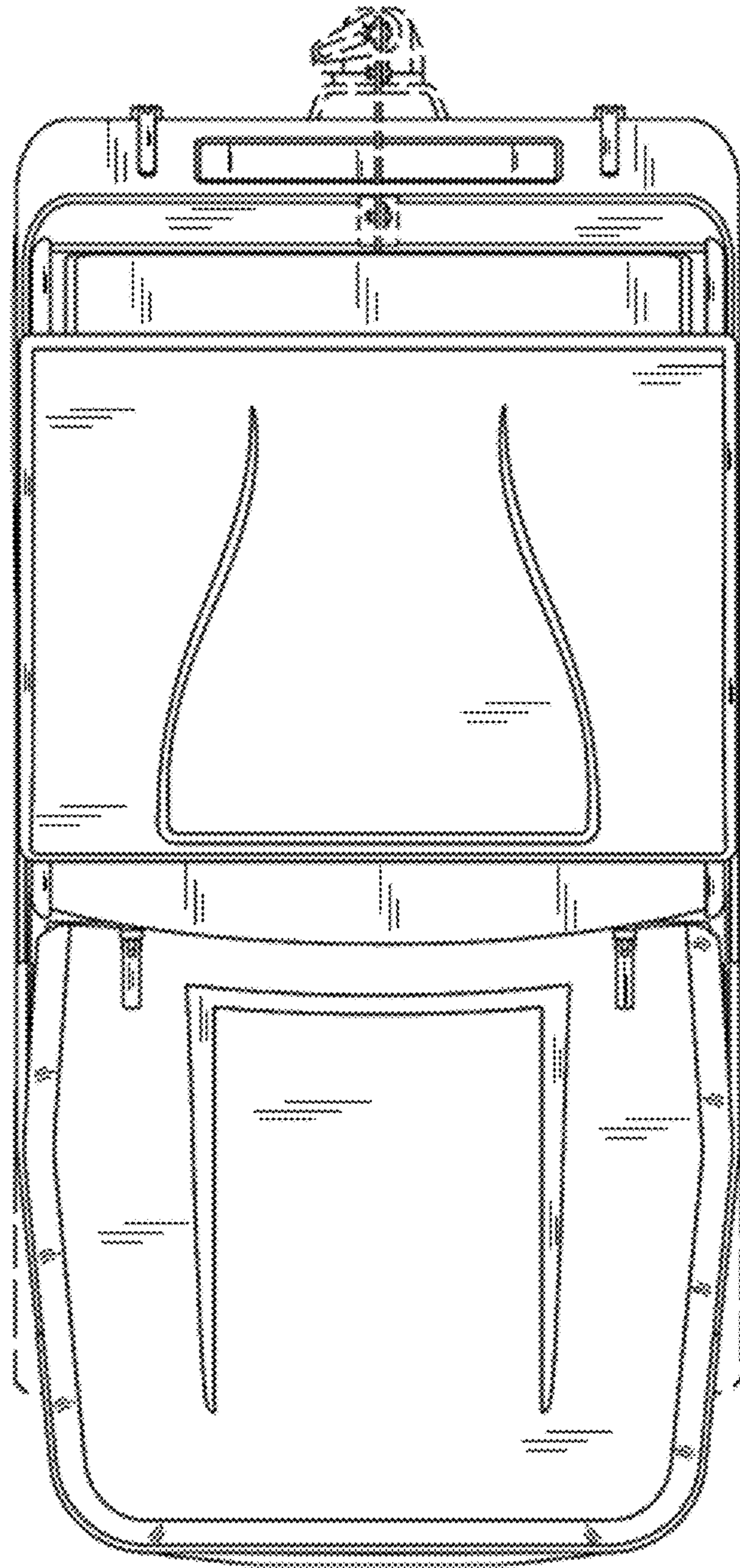


FIG. 5

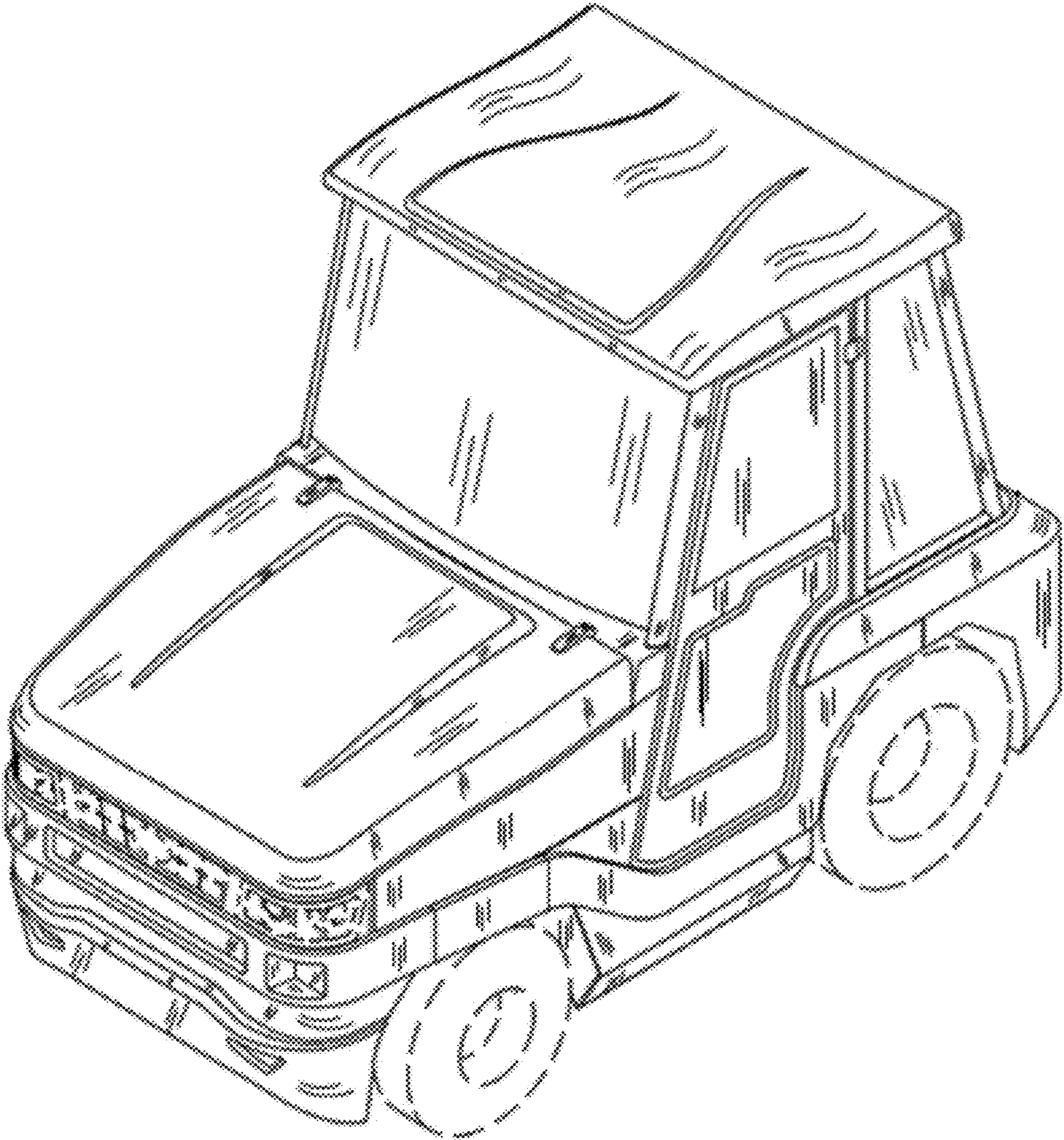


FIG. 6

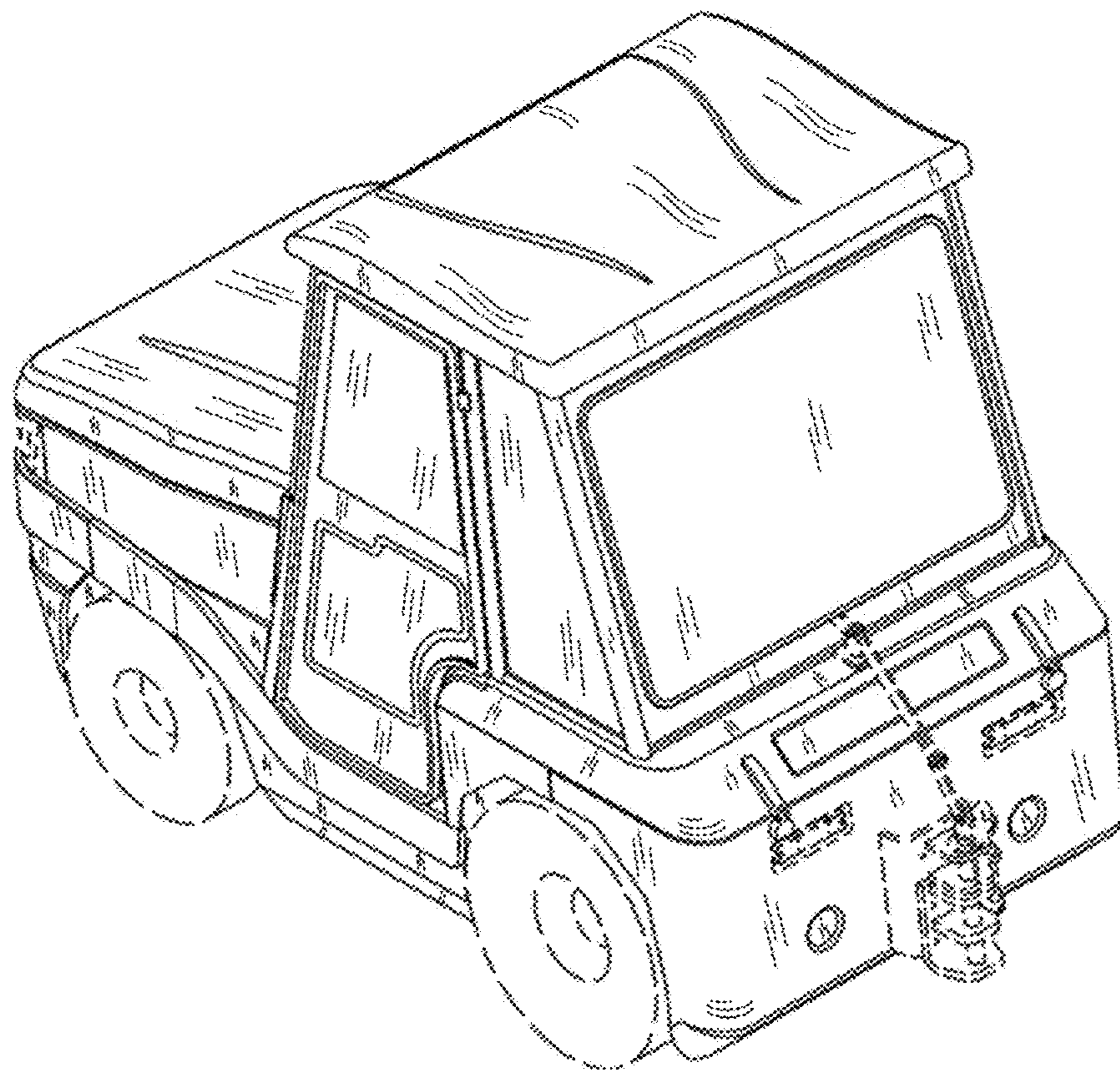


FIG. 7