

US00D801854S

(12) **United States Design Patent**
Katz

(10) **Patent No.:** **US D801,854 S**

(45) **Date of Patent:** **** Nov. 7, 2017**

(54) **NECKTIE DEVICE**

(71) Applicant: **Maxwell Katz**, Lawrence, NY (US)

(72) Inventor: **Maxwell Katz**, Lawrence, NY (US)

(**) Term: **15 Years**

(21) Appl. No.: **29/597,880**

(22) Filed: **Mar. 21, 2017**

(51) **LOC (10) Cl.** **11-01**

(52) **U.S. Cl.**
USPC **D11/202; D11/79**

(58) **Field of Classification Search**
USPC ... D11/200–220, 78.1, 222, 1, 7, 43, 79, 95;
D20/22; D3/215, 247, 249; D8/394,
D8/395, 607; 24/60, 455, 485, 563, 564,
24/72.1, 49.1, 52, 166.4, 66.13, 56.3,
24/129 R, 131 R, 129 C; D2/608, 639,
D2/607; 2/232, 151, 152.1; D32/61;
289/17, 1.2
CPC .. A44B 6/00; A44B 21/00; A44B 9/12; A41D
25/02; A41D 25/025; A41D 25/04; A41D
25/08; A41D 25/14
See application file for complete search history.

(56) **References Cited**

U.S. PATENT DOCUMENTS

465,939 A * 12/1891 Marvin A47H 11/04
16/442

D26,613 S * 2/1897 Berg, Jr. 24/56

D32,899 S * 7/1900 Elliot D12/407

D41,493 S * 6/1911 Schade, Jr. 24/551

1,074,673 A * 10/1913 Weiss A44C 17/0208
428/28

D46,621 S * 11/1914 Schade, Jr. D8/356

1,318,248 A * 10/1919 Willey A41D 25/025
2/153

1,426,183 A * 8/1922 Guest A41D 25/025
2/153

1,510,431 A * 9/1924 Wirz A41D 25/025
2/153

1,693,913 A * 12/1928 Vogel A41D 25/025
24/56

1,711,580 A * 5/1929 Binnemann A41D 25/14
2/153

1,716,880 A * 6/1929 Ebling A41D 25/14
2/153

1,904,083 A * 4/1933 Priestson A41D 25/025
2/132

D92,284 S * 5/1934 Bagnal D11/202

2,040,083 A * 5/1936 Elliott A44C 7/00
63/14.2

2,099,901 A * 11/1937 Morse A41B 3/12
2/153

2,111,145 A * 3/1938 Grant A41B 3/08
24/336

2,174,478 A * 9/1939 Pugh A41D 25/14
2/153

2,516,429 A * 7/1950 Skivenes A41D 25/14
2/153

2,636,704 A * 4/1953 Norberg D06F 39/12
24/131 R

(Continued)

Primary Examiner — Ralf Seifert

(74) *Attorney, Agent, or Firm* — Howard Eichenblatt

(57) **CLAIM**

The ornamental design for an ornamental necktie device, as shown and described.

DESCRIPTION

FIG. 1 is a front perspective view of a first embodiment of an ornamental necktie device showing my new design;

FIG. 2 is a front view thereof;

FIG. 3 is a back view thereof;

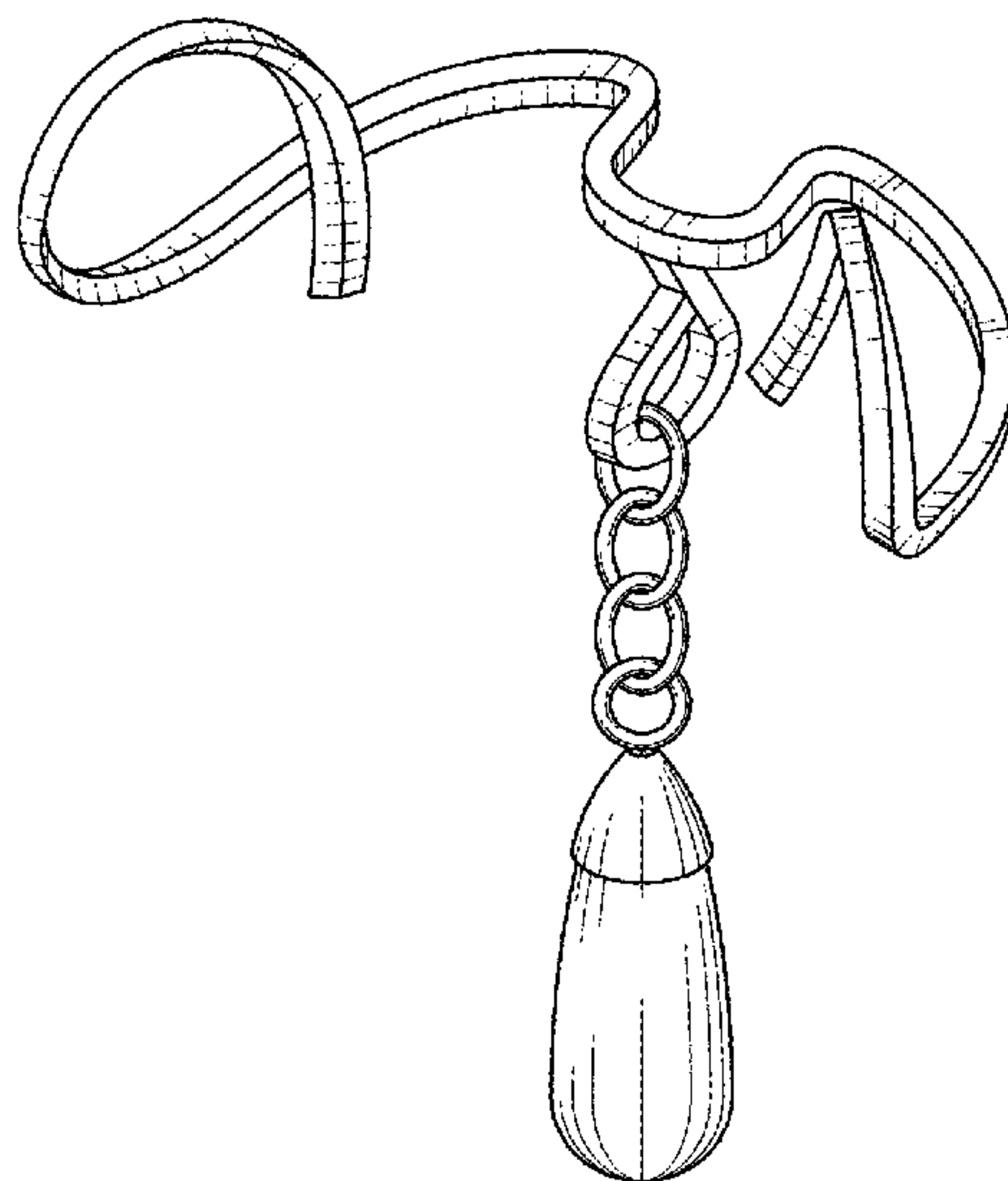
FIG. 4 is a left side view thereof;

FIG. 5 is a right side view thereof;

FIG. 6 is a top view thereof; and,

FIG. 7 is a bottom view thereof.

1 Claim, 4 Drawing Sheets



(56)

References Cited

U.S. PATENT DOCUMENTS

2,702,905 A * 3/1955 Peake A41D 25/022
 2/153
 D176,293 S * 12/1955 Vredenburg D11/79
 2,775,768 A * 1/1957 Stern A41D 25/08
 2/151
 3,069,739 A * 12/1962 Jorgenson F16G 11/14
 24/129 R
 3,071,938 A * 1/1963 Davidson A44C 7/00
 16/87.2
 3,116,616 A * 1/1964 Bangs A44C 7/002
 24/599.2
 3,309,743 A * 3/1967 Verri A44C 3/008
 24/116 R
 3,628,220 A * 12/1971 Gaetano A41D 25/022
 24/66.11
 4,173,793 A * 11/1979 Kazuo A41D 25/14
 2/146
 4,246,658 A * 1/1981 Liaw A41D 25/14
 2/152.1
 D258,138 S * 2/1981 Wood D8/370
 D280,189 S * 8/1985 Moses D11/79
 D320,577 S * 10/1991 Terada D11/200
 D364,336 S * 11/1995 Calusinski D8/371

5,562,456 A * 10/1996 Cianciotto G09B 19/0076
 289/17
 D408,324 S 4/1999 Burszewski
 D433,930 S * 11/2000 Kalat D8/395
 D434,308 S * 11/2000 Kalat D8/395
 D434,309 S * 11/2000 Kalat D8/395
 D434,310 S * 11/2000 Kalat D8/395
 D438,457 S * 3/2001 Le Rouzic D9/644
 D438,782 S * 3/2001 Kalat D8/370
 D442,886 S 5/2001 Carrell, Jr.
 6,381,985 B1 5/2002 Burgard
 6,412,673 B1 7/2002 Chuang
 D490,339 S * 5/2004 Graff D11/79
 6,904,613 B2 6/2005 Dotterer
 6,920,642 B2 * 7/2005 Dickens A41D 25/022
 2/152.1
 D517,444 S * 3/2006 Graff D11/79
 D552,980 S * 10/2007 Svedberg D8/395
 D570,724 S * 6/2008 Kittelsen D11/80
 7,585,004 B1 * 9/2009 Page A41D 25/025
 289/17
 D700,505 S * 3/2014 Totten D8/370
 D710,680 S * 8/2014 Chen D8/370
 D744,889 S * 12/2015 Buman D11/1
 D776,001 S 1/2017 Jones
 2009/0256358 A1 * 10/2009 Fay D04G 5/00
 289/1.2

* cited by examiner

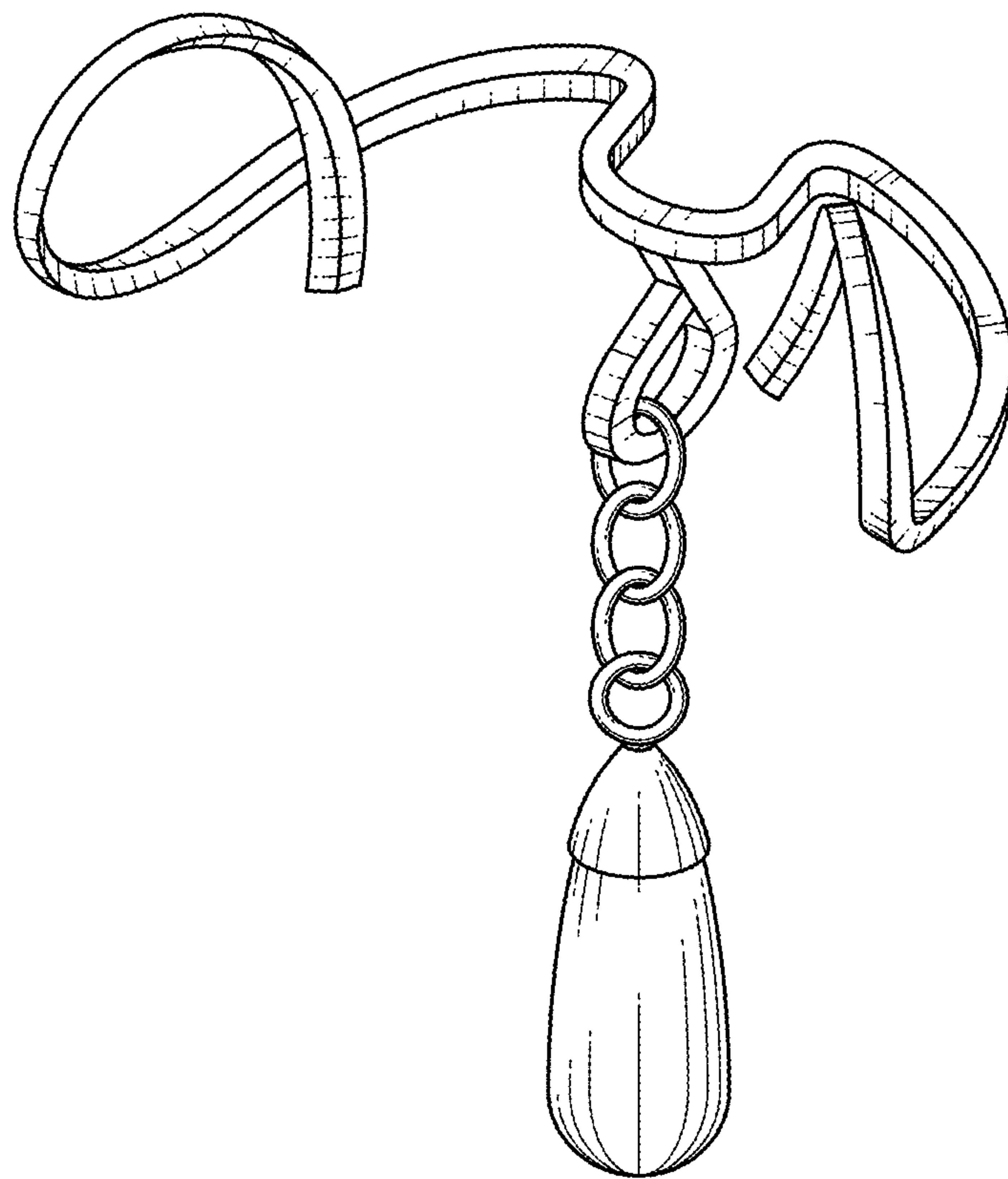


FIG. 1

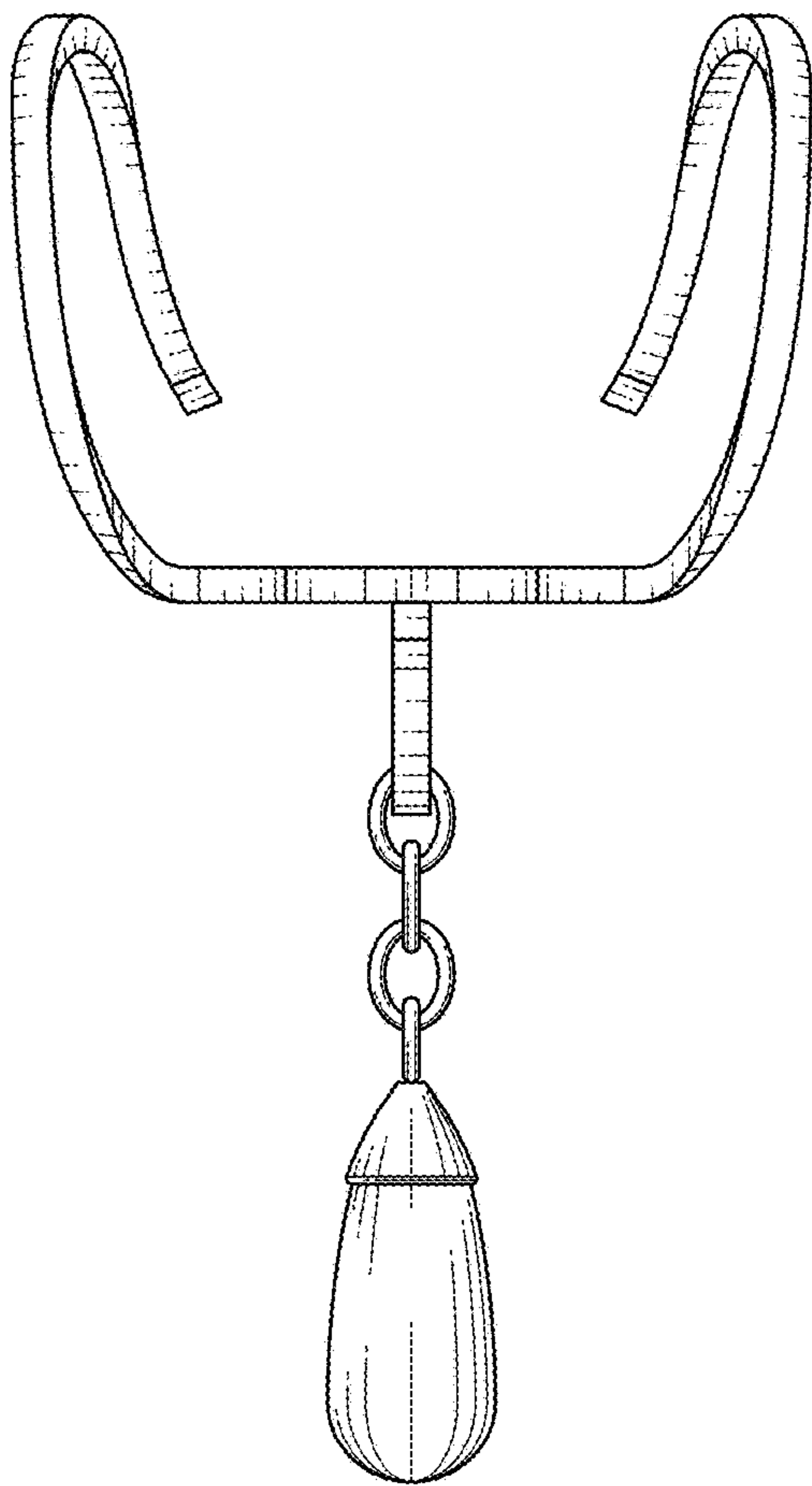


FIG. 2

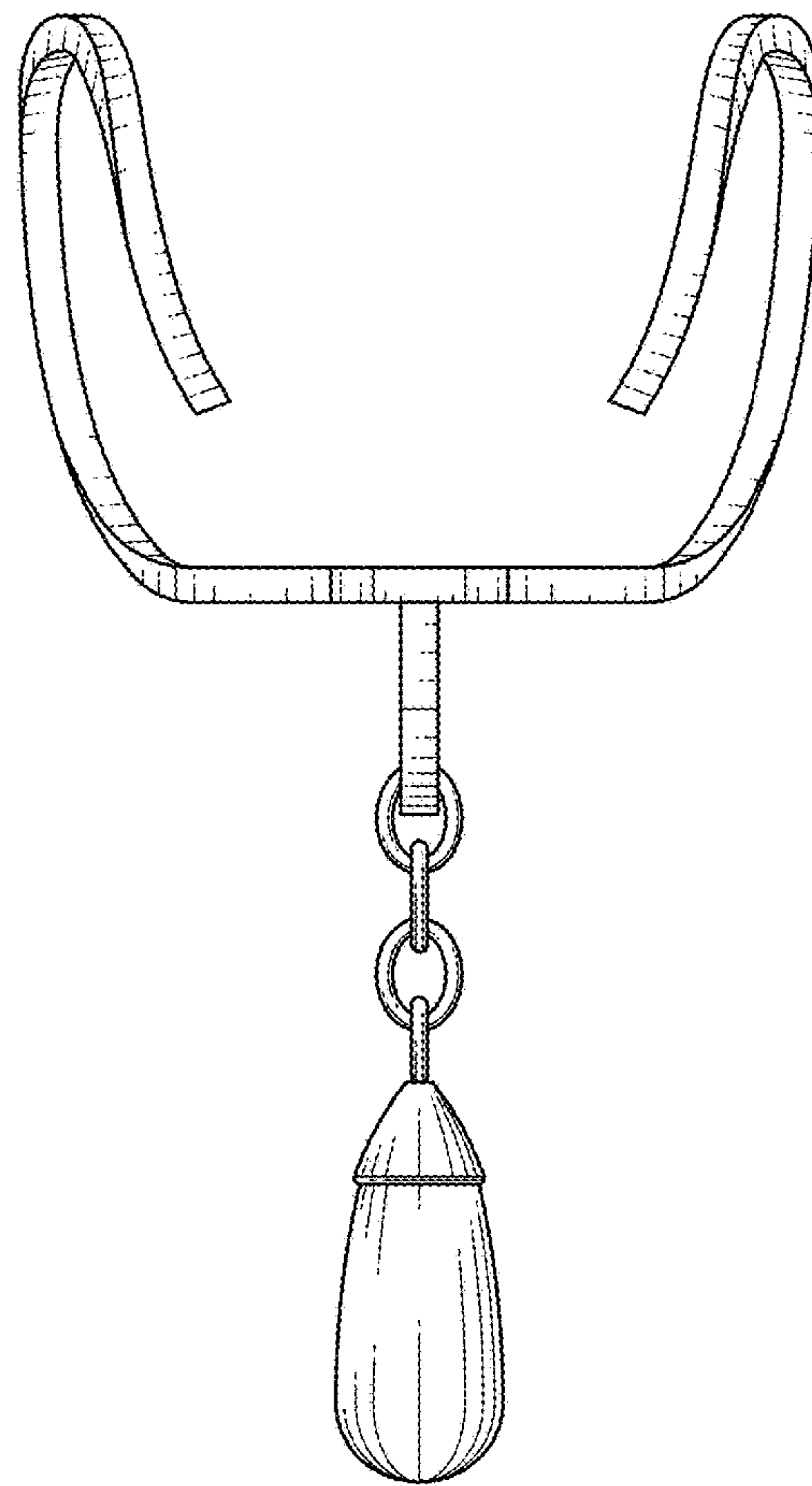


FIG. 3

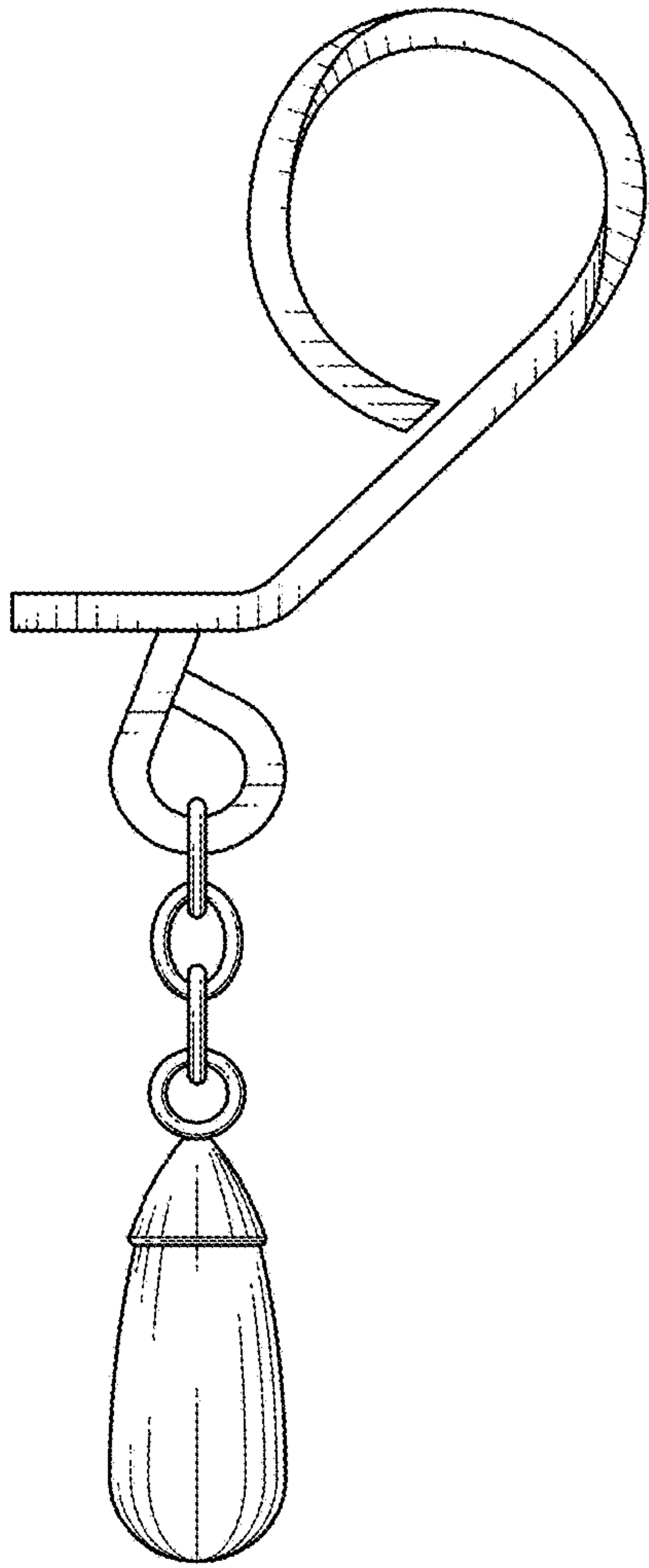


FIG. 4

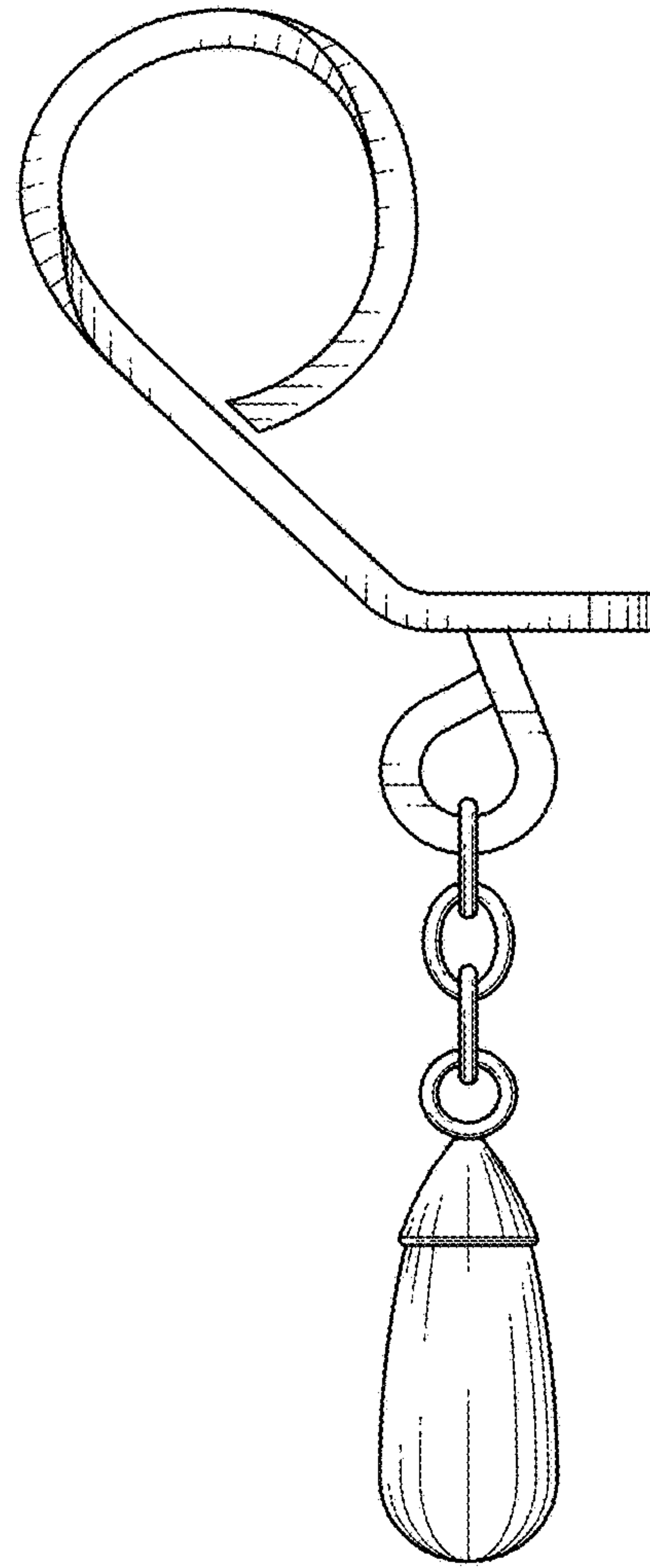


FIG. 5

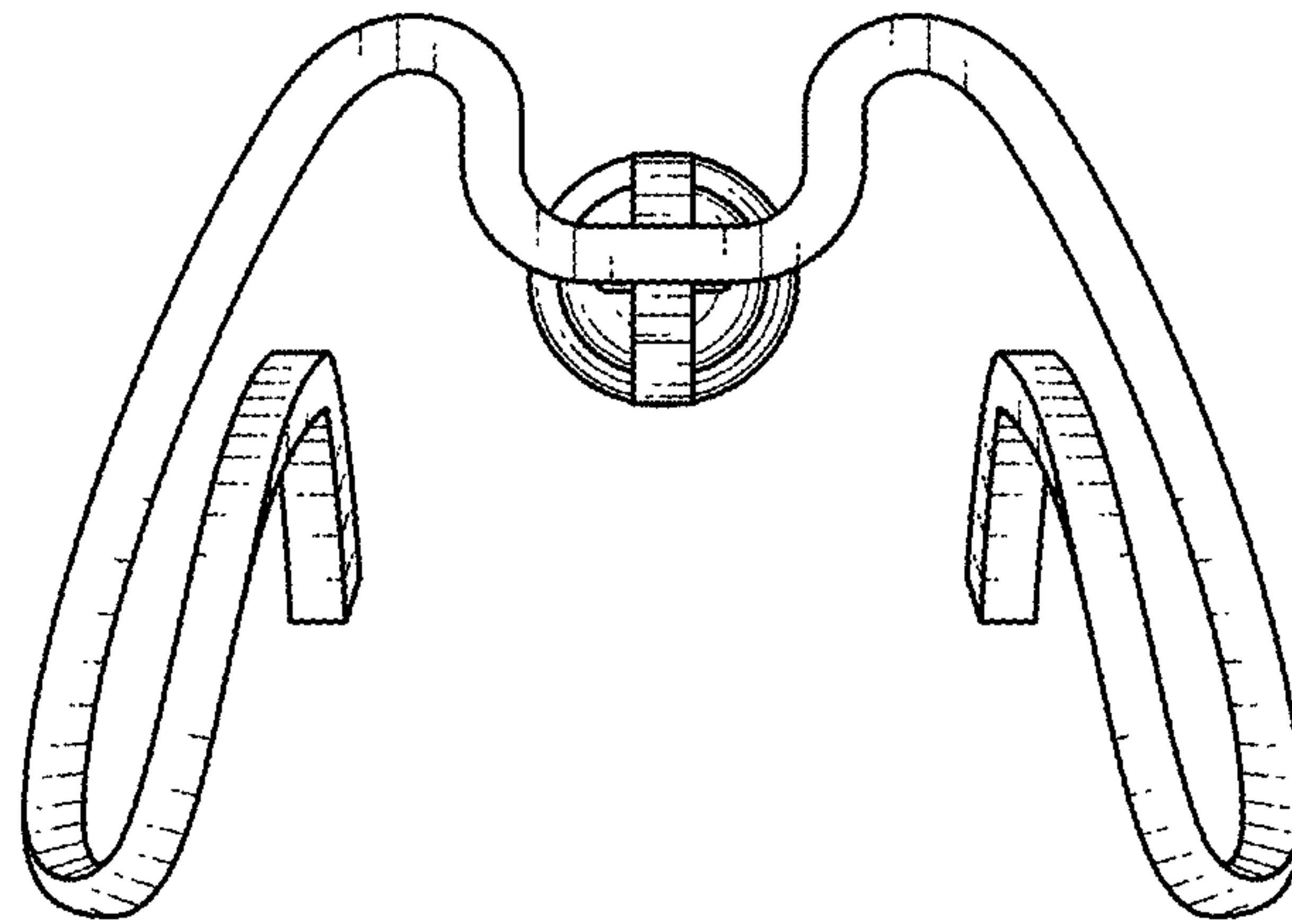


FIG. 6

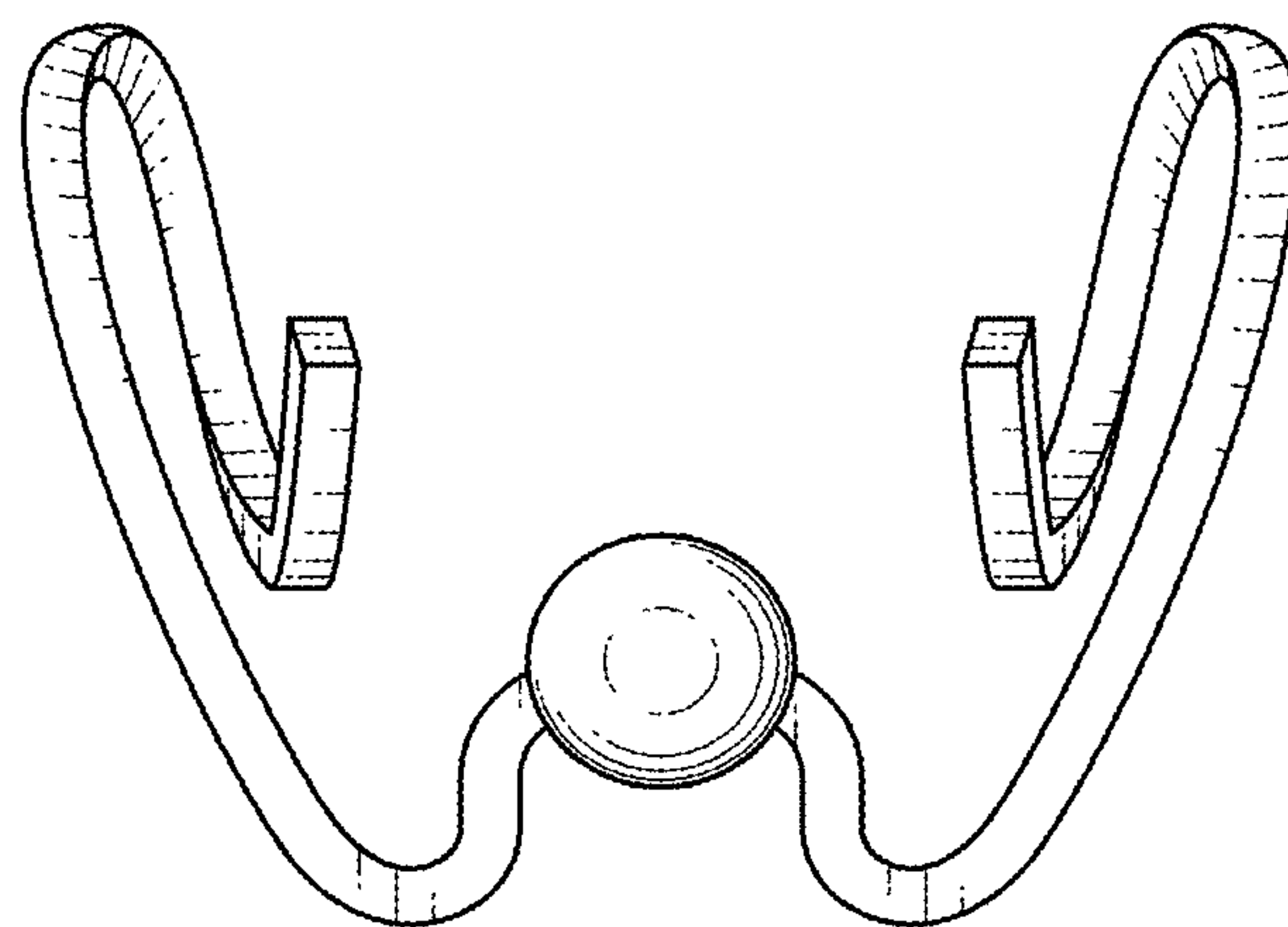


FIG. 7