



US00D801849S

(12) **United States Design Patent** (10) **Patent No.:** **US D801,849 S**  
**Schwaninger** (45) **Date of Patent:** **\*\* Nov. 7, 2017**

(54) **PENDANT** 2,350,714 A \* 6/1944 Bazner ..... A44C 17/04  
359/546  
(71) Applicant: **Van Cleef & Arpels SA,** D308,651 S \* 6/1990 Bulgari ..... D11/42  
Villars-sur-Glane (CH) D315,320 S \* 3/1991 Bulgari ..... D11/40  
D315,699 S \* 3/1991 Bulgari ..... D11/42  
(72) Inventor: **Kia Schwaninger,** Brooklyn, NY (US) D315,875 S \* 4/1991 Bulgari ..... D11/43  
D417,636 S \* 12/1999 Ambar ..... D11/40  
D445,058 S \* 7/2001 Kaplan ..... D11/91  
(73) Assignee: **Van Cleef & Arpels SA,** D504,348 S \* 4/2005 Kothari ..... D11/91  
Villars-sur-Glane (CH) D507,867 S \* 8/2005 Turner ..... D3/207  
D583,276 S \* 12/2008 Steshik ..... D11/91  
(\*\*) Term: **15 Years** D678,117 S \* 3/2013 Yep ..... D11/34

(21) Appl. No.: **29/568,644**

**OTHER PUBLICATIONS**

(22) Filed: **Jun. 20, 2016**

[Online] <http://www.vancleefarpels.com/content/dam/rcq/vca/11/78/95/1/1178951.png.adapt.380.380.png>. Retrieved Mar. 3, 2017.\*

(30) **Foreign Application Priority Data**

Dec. 21, 2015 (WO) ..... DM/088759

\* cited by examiner

(51) **LOC (10) Cl.** ..... **11-01**

*Primary Examiner* — Melanie Pellegrini

(52) **U.S. Cl.**  
USPC ..... **D11/79**

(74) *Attorney, Agent, or Firm* — Taft Stettinius & Hollister LLP

(58) **Field of Classification Search**

USPC ... D11/1, 2, 7, 8, 26-39, 40, 41, 42, 43, 44,  
D11/56, 86, 91, 92

CPC .. A44C 1/00; A44C 3/00; A44C 3/001; A44C  
3/002; A44C 3/004; A44C 3/005; A44C  
7/002; A44C 11/00; A44C 11/007; A44C  
25/00; A44C 25/001; A44C 25/007; A44C  
25/002; A44C 25/004; A44C 25/005;  
A44C 17/02; A44C 17/0241; A44C  
17/0266; A44C 17/0175; A44C 9/00;  
A44C 9/0007; A44C 9/0015; A44C  
9/0023; A44C 9/003; A44C 9/0038; A44C  
9/0046; A44C 9/0053; A44C 9/0061;  
A44C 9/0069; A44C 9/0076; A44C  
9/0084; A44C 9/02; A44C 15/001

See application file for complete search history.

(57) **CLAIM**

The ornamental design for a pendant, as shown and described.

**DESCRIPTION**

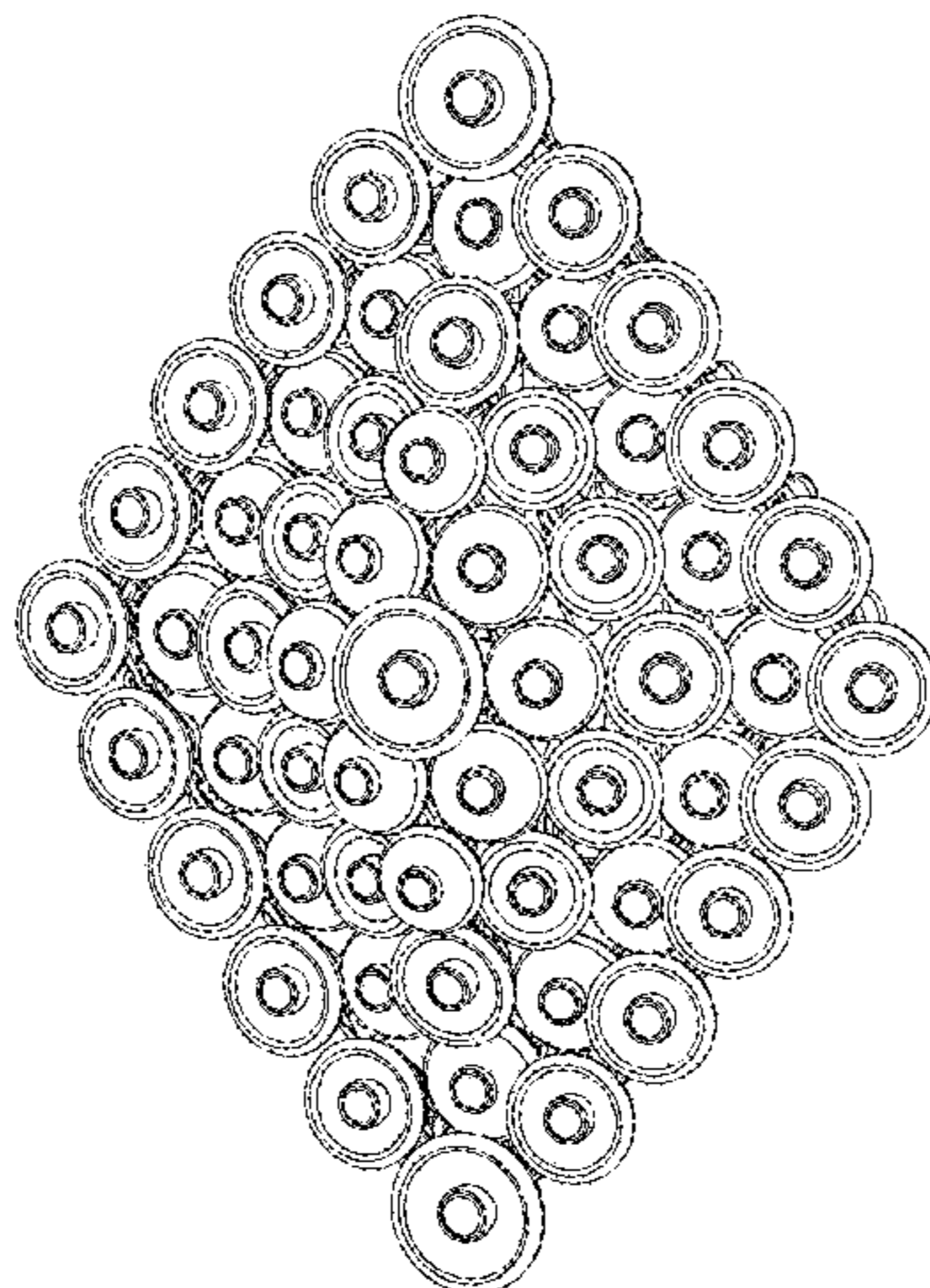
FIG. 1 is a front elevational view of a pendant showing my new design;  
FIG. 2 is a rear elevational view thereof;  
FIG. 3 is a top elevational view thereof;  
FIG. 4 is a bottom elevational view thereof;  
FIG. 5 is a right side elevational view thereof;  
FIG. 6 is a left side elevational view thereof;  
FIG. 7 is a front, right perspective view thereof; and,  
FIG. 8 is a rear, right perspective view thereof.

(56) **References Cited**

**U.S. PATENT DOCUMENTS**

D68,934 S \* 12/1925 Robbins ..... D11/34  
1,670,385 A \* 5/1928 Shawcross ..... A44C 17/02  
63/20

**1 Claim, 8 Drawing Sheets**



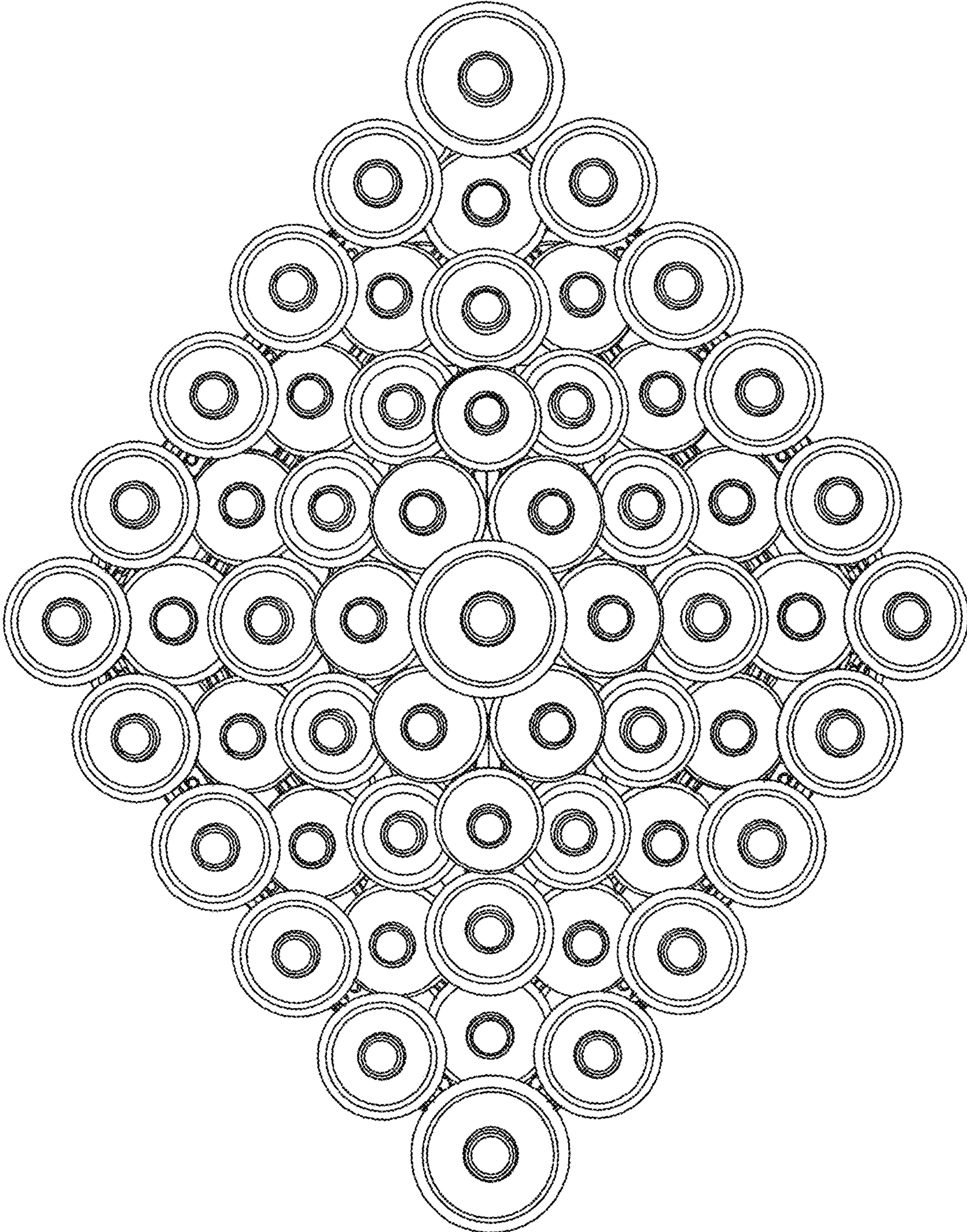


Fig. 1

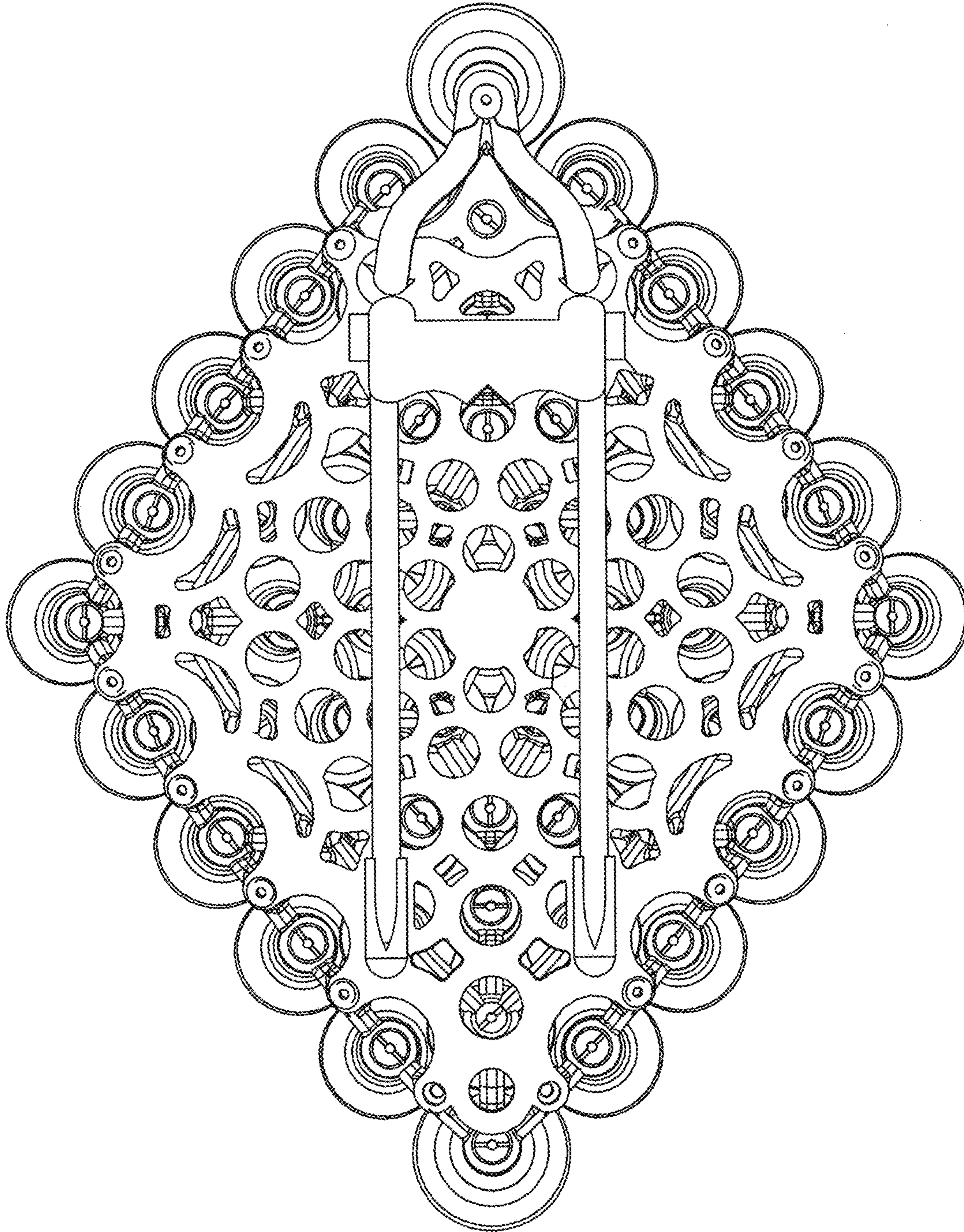


Fig. 2

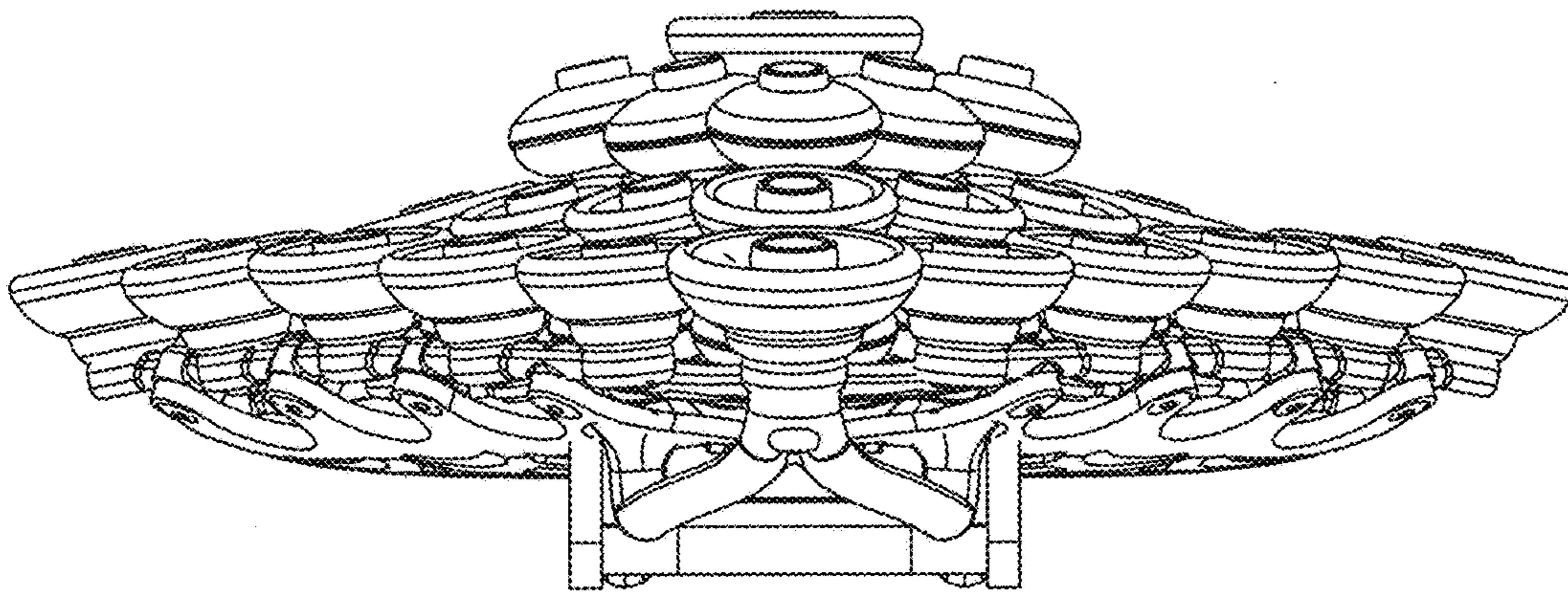


Fig. 3

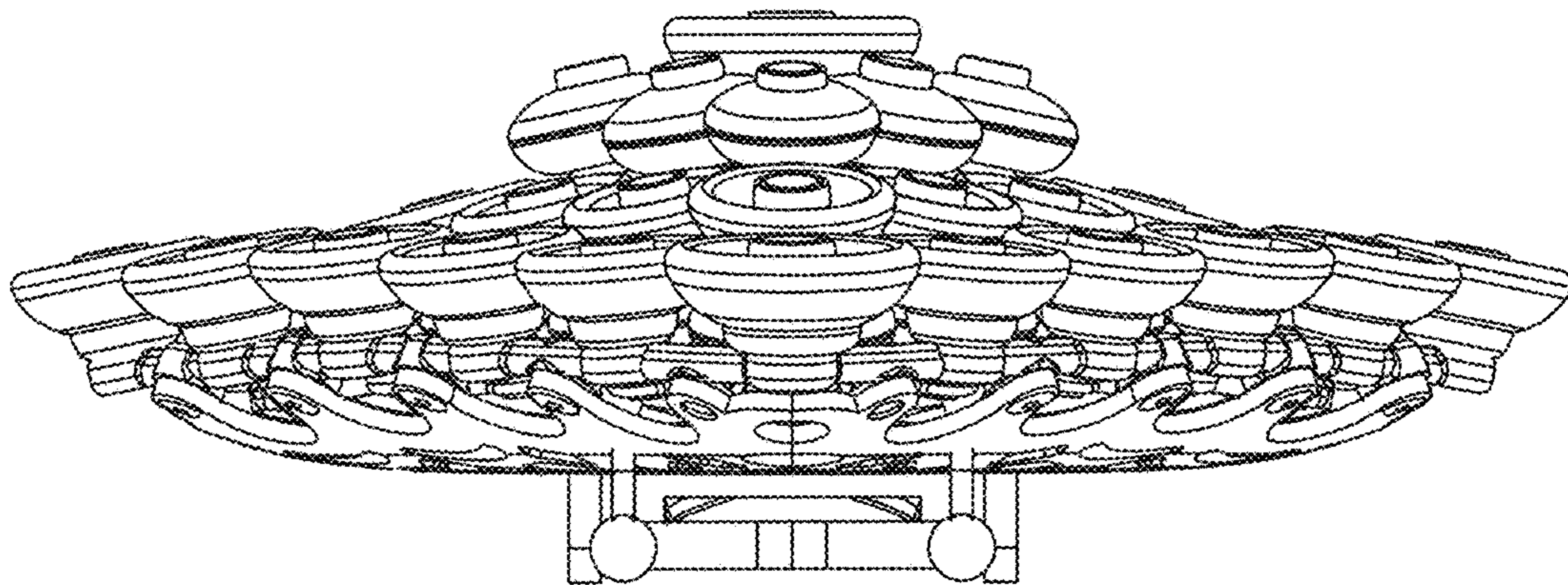


Fig. 4

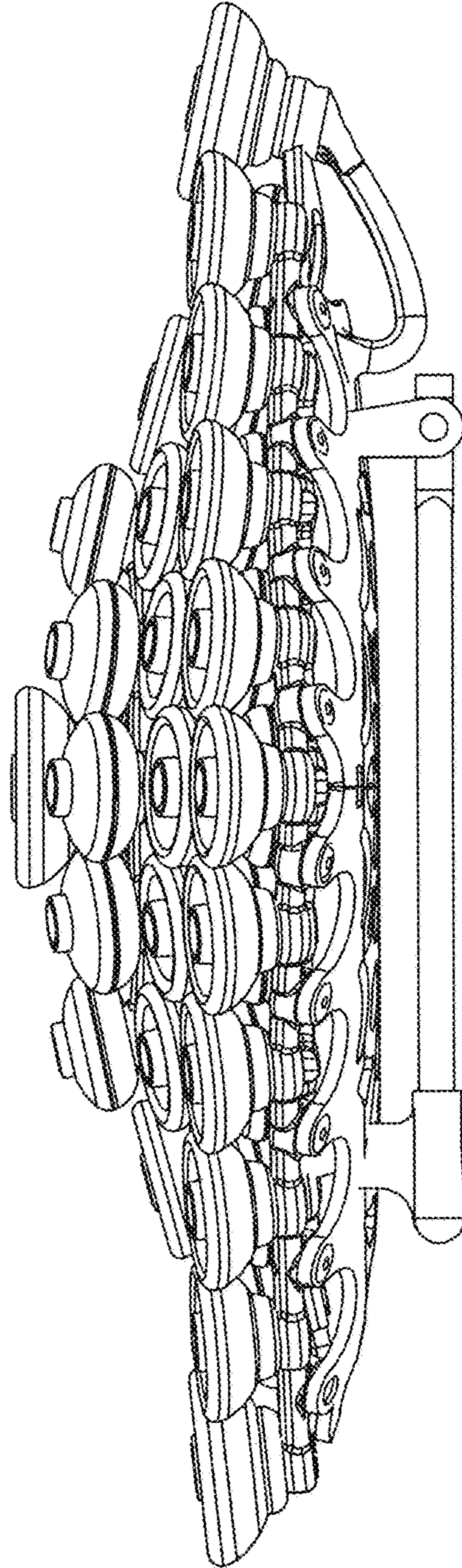


Fig. 5

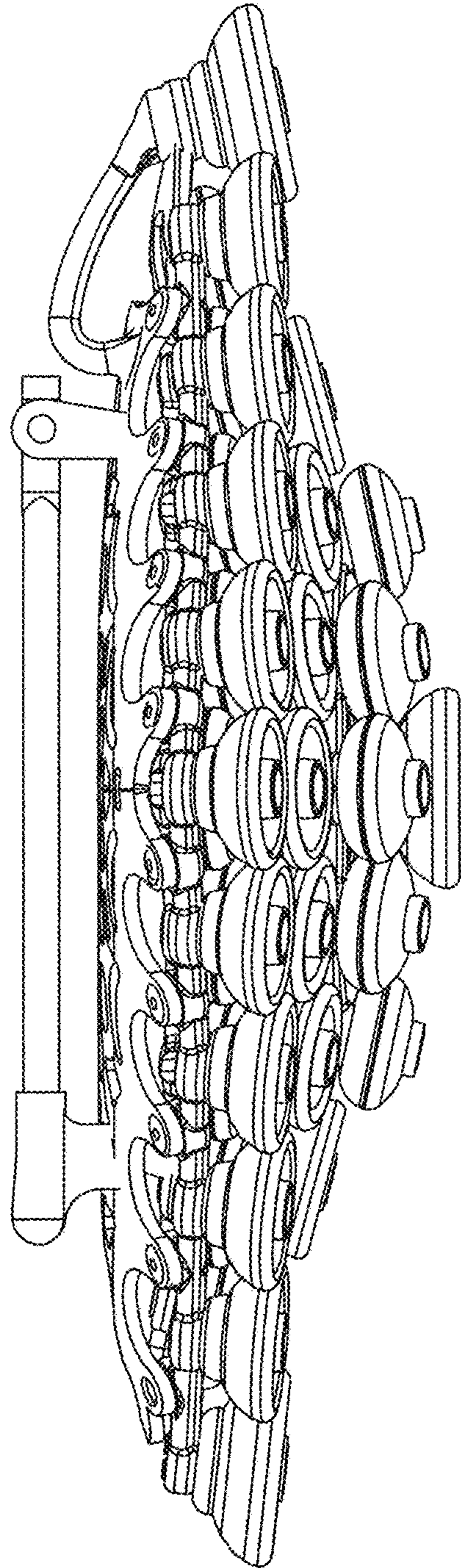


Fig. 6

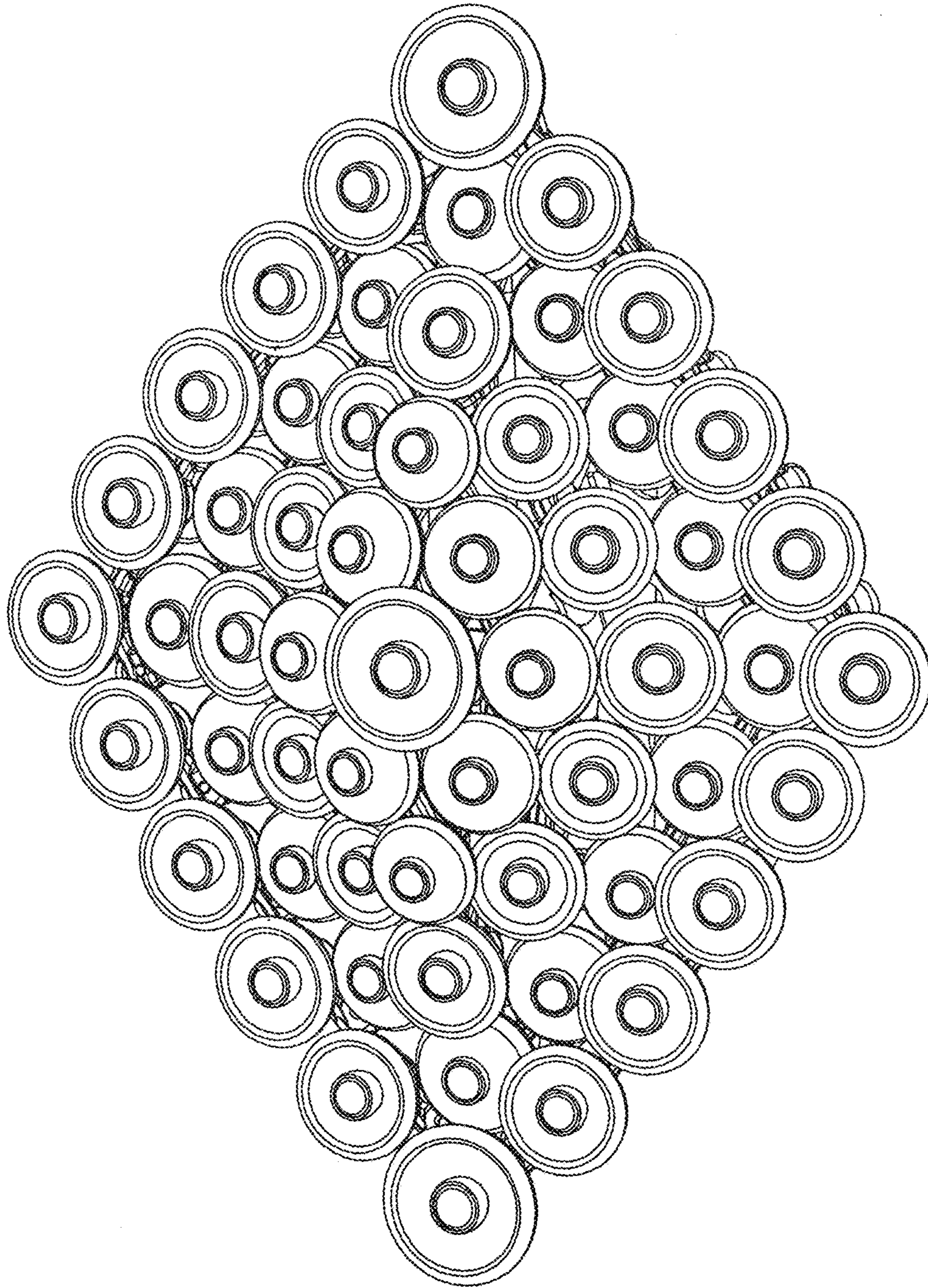


Fig. 7



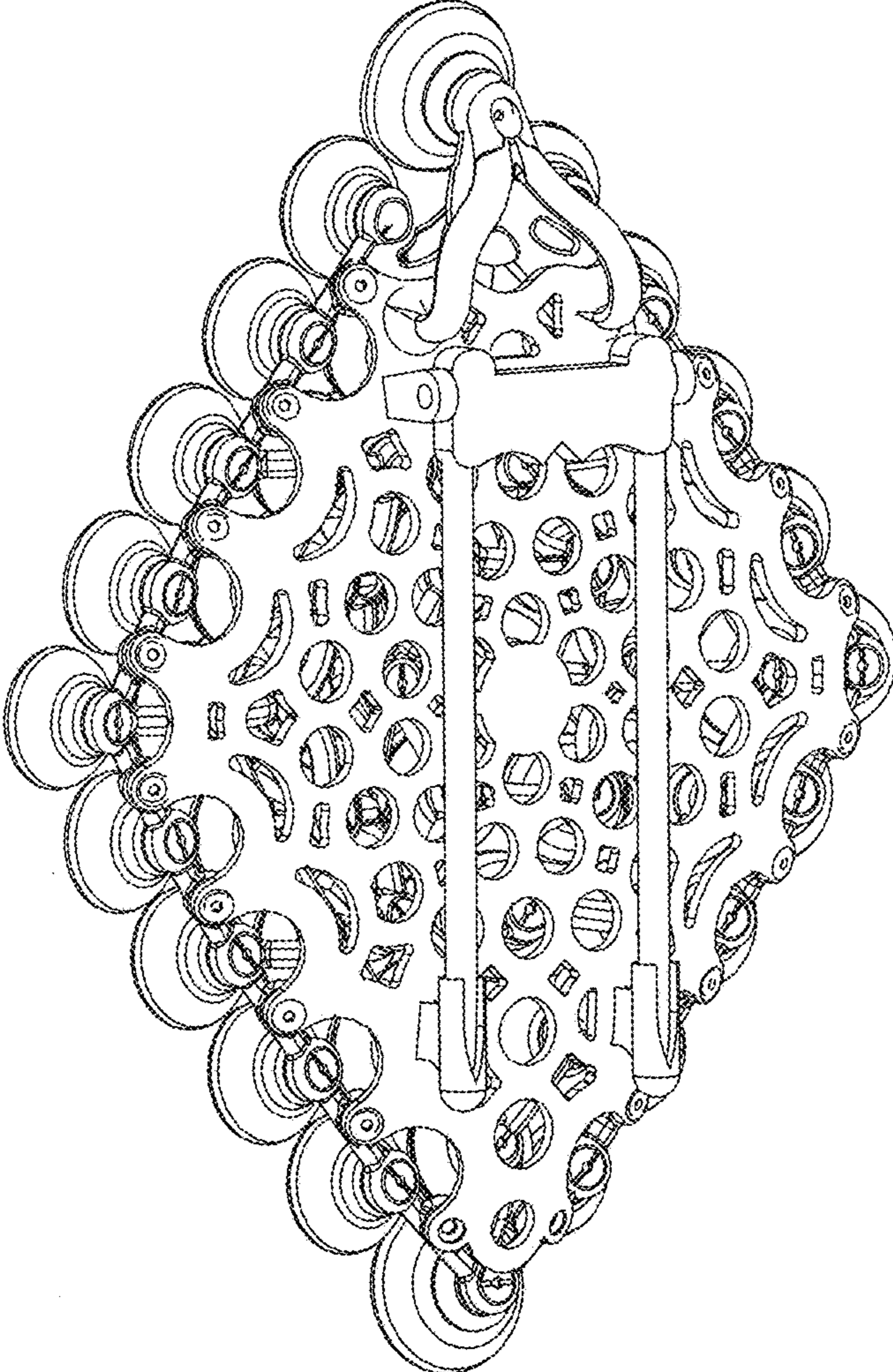


Fig. 8