



US00D801843S

(12) **United States Design Patent**
Siminoff

(10) **Patent No.:** **US D801,843 S**

(45) **Date of Patent:** **** Nov. 7, 2017**

(54) **WIRELESS ENTRANCE COMMUNICATION DEVICE**

D710,728 S * 8/2014 Siminoff D10/118.1
9,584,775 B2 * 2/2017 Siminoff H04M 11/025

* cited by examiner

(71) Applicant: **BOT HOME AUTOMATION, INC.**,
Santa Monica, CA (US)

Primary Examiner — George D Kirschbaum

(72) Inventor: **James Siminoff**, Pacific Palisades, CA
(US)

(57) **CLAIM**

(**) Term: **15 Years**

The ornamental design for a wireless entrance communication device, as shown and described.

(21) Appl. No.: **29/558,446**

(22) Filed: **Mar. 17, 2016**

DESCRIPTION

Related U.S. Application Data

(63) Continuation-in-part of application No. 14/334,922,
filed on Jul. 18, 2014.

(51) **LOC (10) Cl.** **10-05**

(52) **U.S. Cl.**
USPC **D10/118.1; D14/159**

(58) **Field of Classification Search**
USPC D10/118.2, 121, 118.1; D14/159;
D16/203

CPC . G08B 15/001; H04M 11/025; H04M 1/0291;
H04N 7/185

See application file for complete search history.

FIG. 1 is a front perspective view of a preferred embodiment of the wireless entrance communication device according to the present design;

FIG. 2 is a front elevational view of the wireless entrance communication device of FIG. 1;

FIG. 3 is a rear elevational view of the wireless entrance communication device of FIG. 1;

FIG. 4 is a left-side elevational view of the wireless entrance communication device of FIG. 1, the right-side elevational view being a mirror image thereof;

FIG. 5 is a top plan view of the wireless entrance communication device of FIG. 1; and,

FIG. 6 is a bottom plan view of the wireless entrance communication device of FIG. 1.

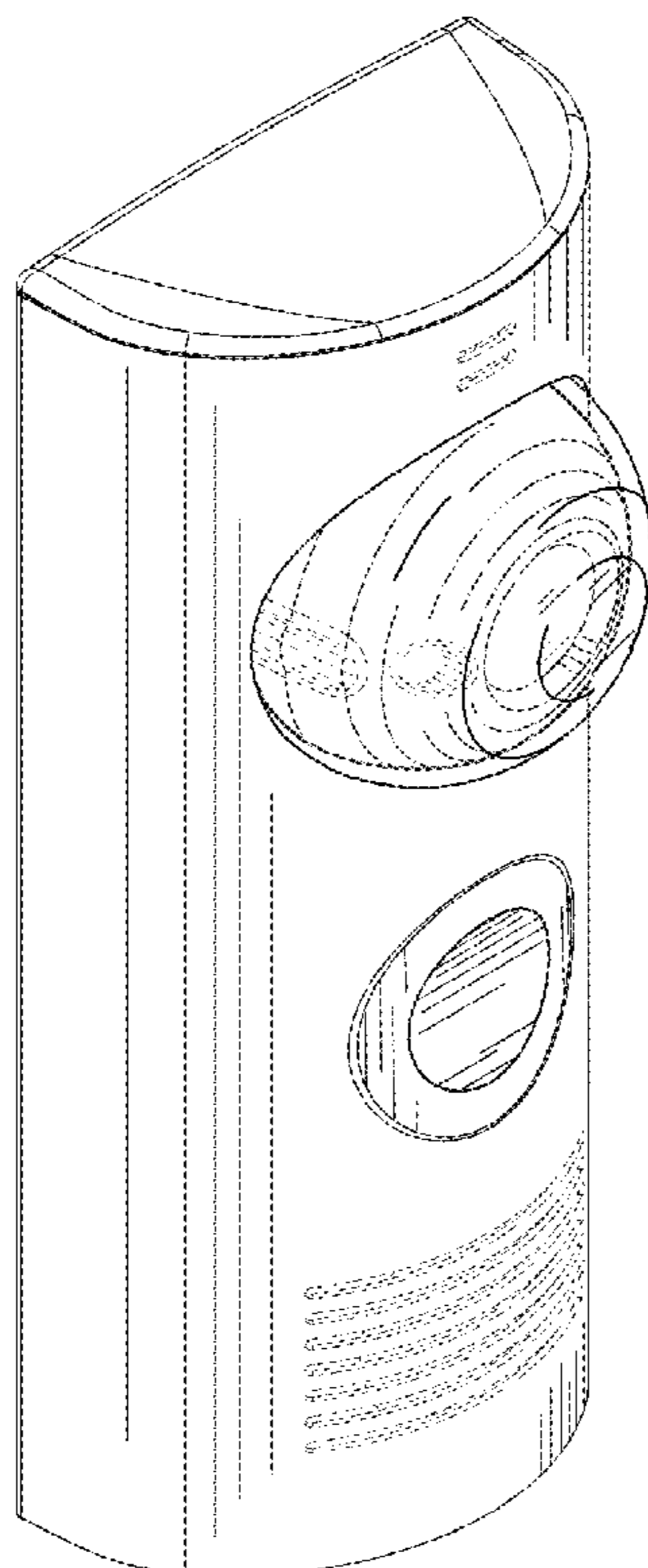
Broken lines, where used, are for illustrative purposes only and form no part of the claimed design.

(56) **References Cited**

U.S. PATENT DOCUMENTS

D710,727 S * 8/2014 Siminoff D10/118.1

1 Claim, 5 Drawing Sheets



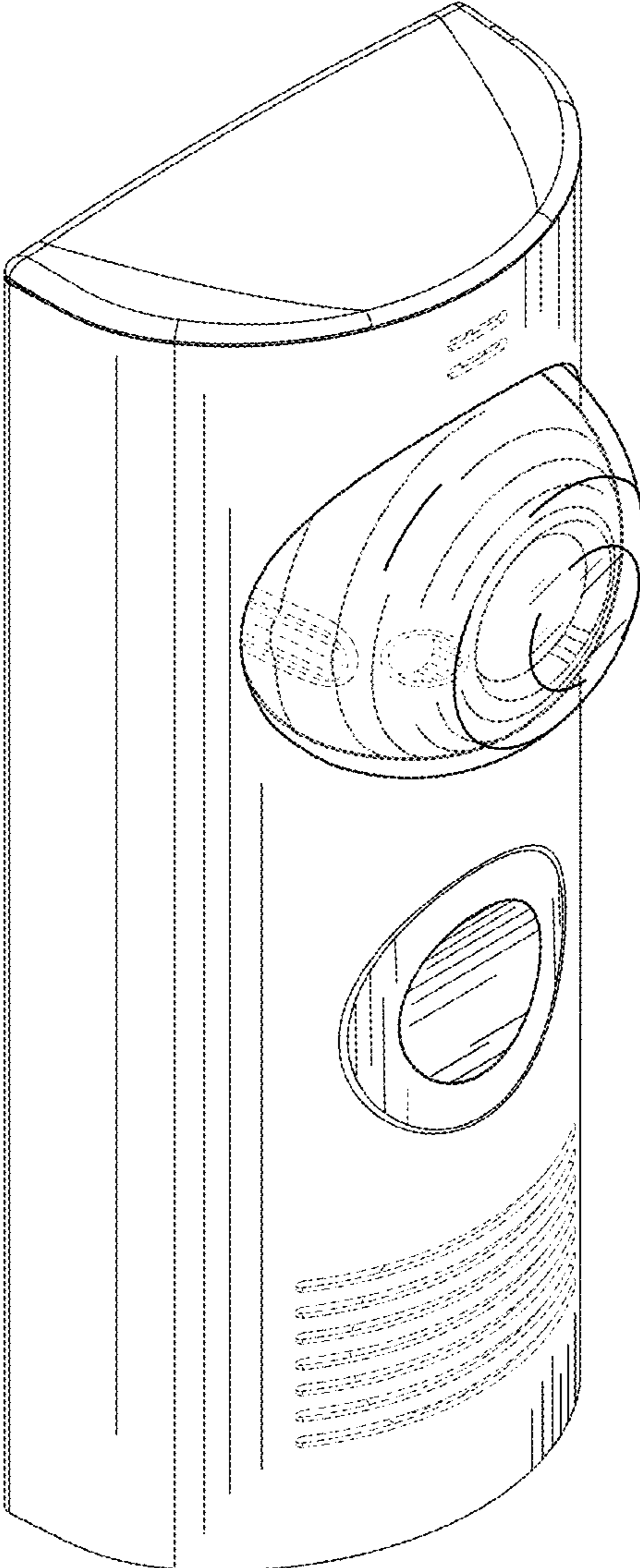


FIG. 1

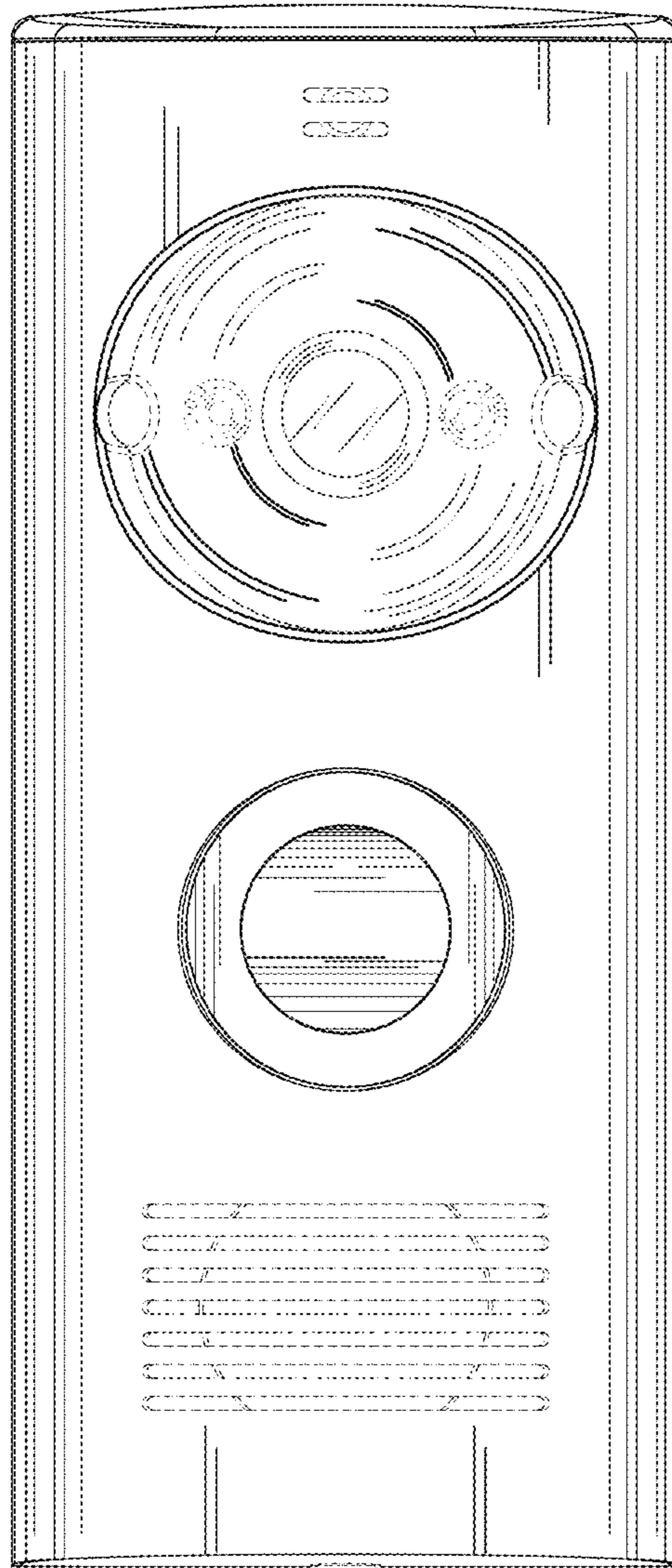


FIG. 2

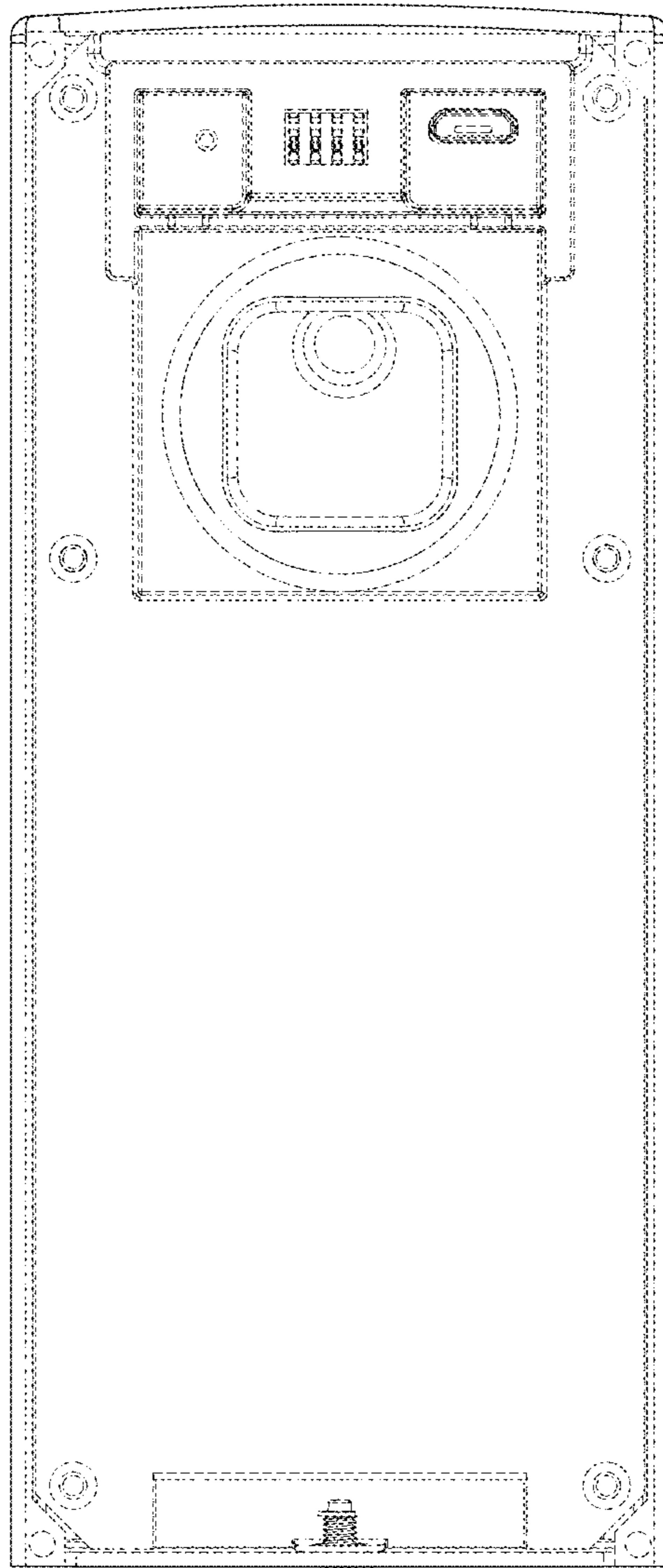


FIG. 3

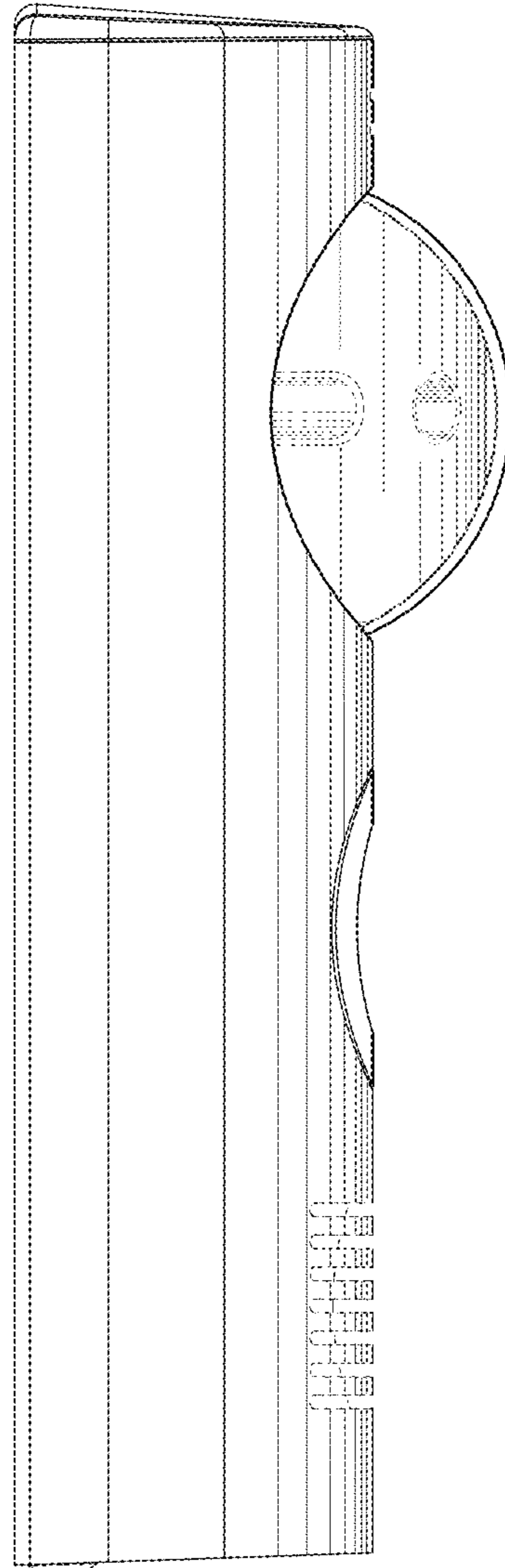


FIG. 4

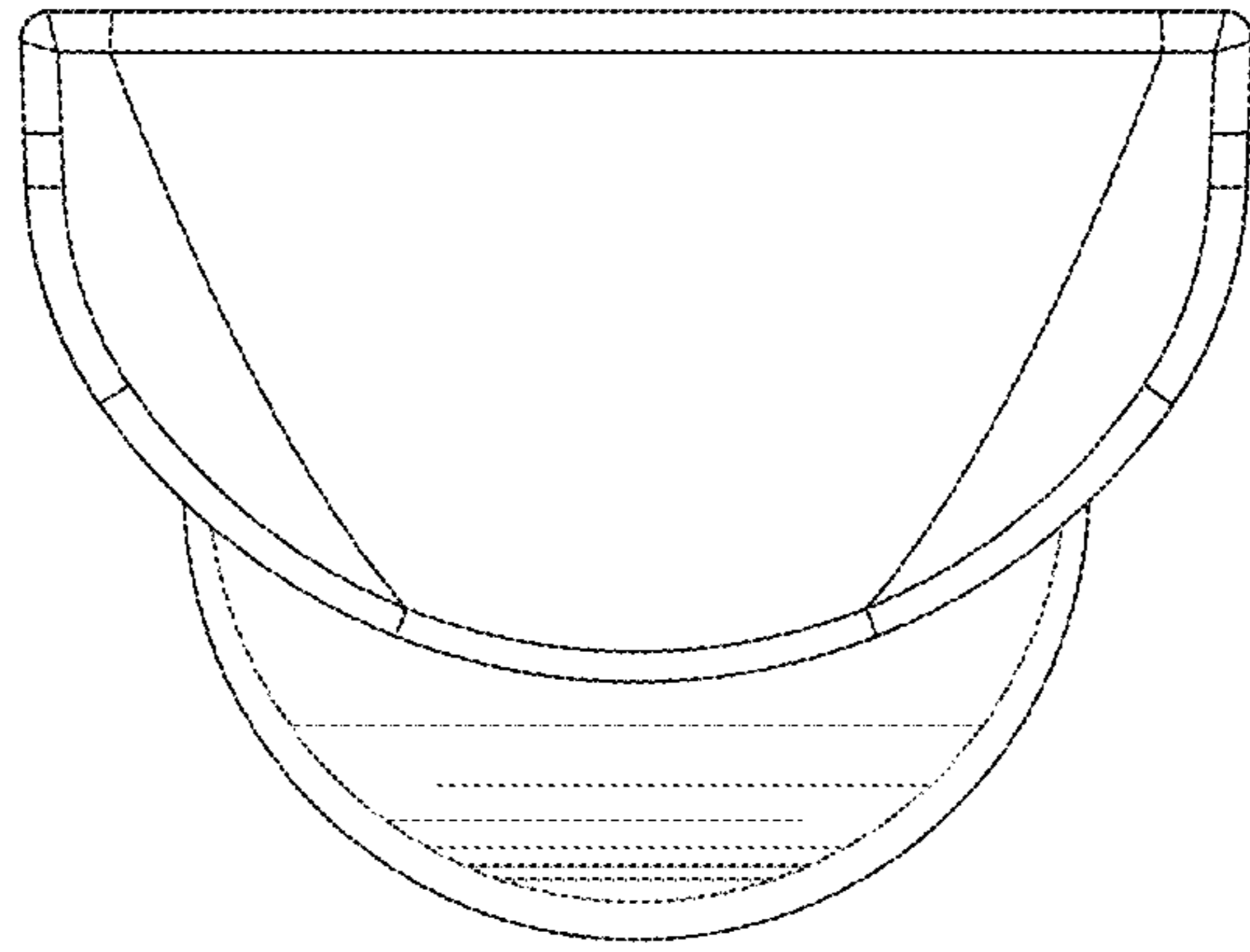


FIG. 5

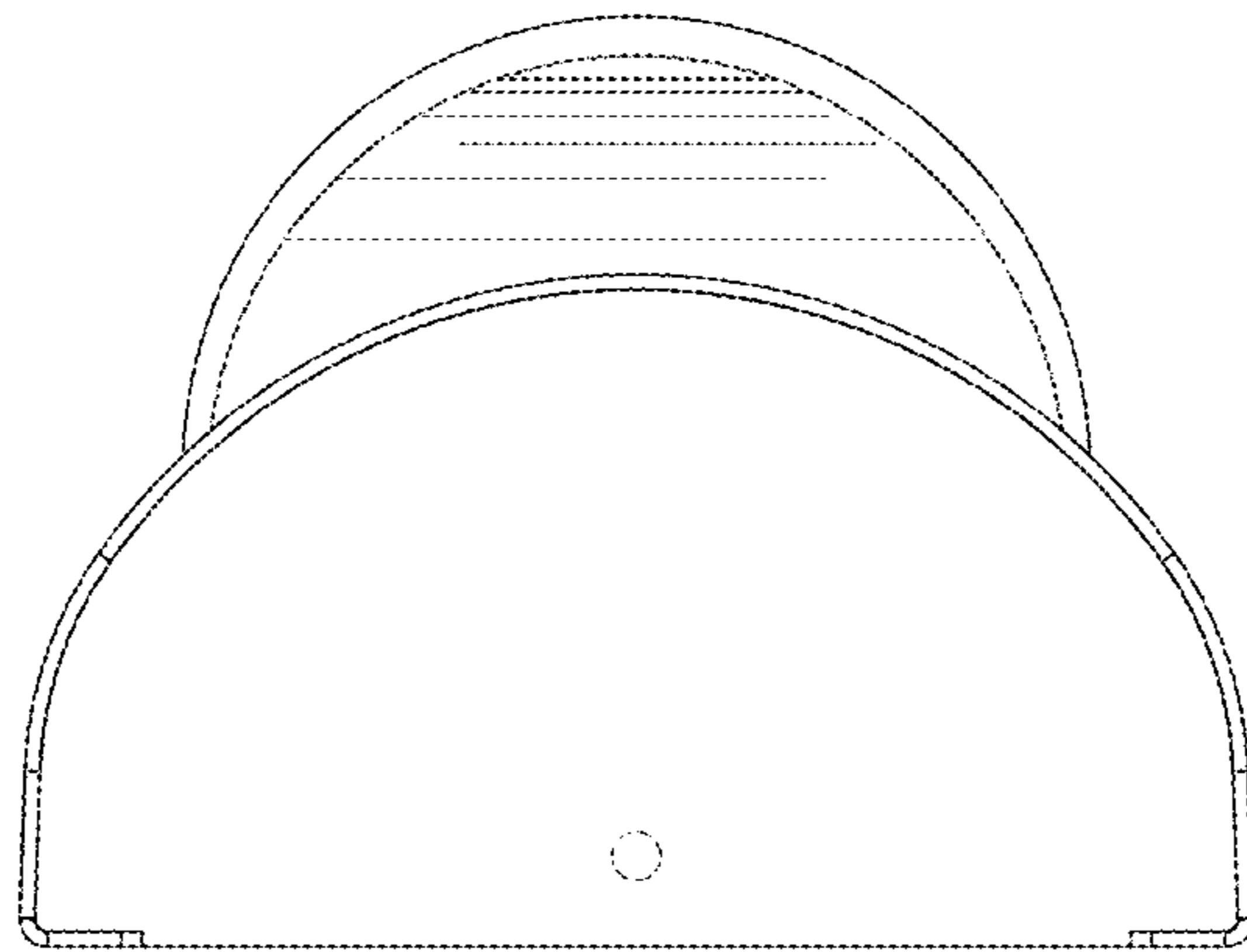


FIG. 6