



US00D801841S

(12) **United States Design Patent**  
**Chen**

(10) **Patent No.:** **US D801,841 S**

(45) **Date of Patent:** **\*\* Nov. 7, 2017**

(54) **SENSING LIGHT FIXTURE**  
(71) Applicant: **LivingStyle Enterprises Limited,**  
Dong Guan (CN)  
(72) Inventor: **Ming-Yun Chen,** Dong Guan (CN)  
(73) Assignee: **LIVINGSTYLE ENTERPRISES**  
**LIMITED,** Dong Guan (CN)  
(\*\*) Term: **15 Years**

D435,799 S \* 1/2001 Leen ..... D10/104.1  
D444,583 S \* 7/2001 Boecker ..... D10/104.1  
D591,883 S \* 5/2009 Gill ..... D26/63  
D593,888 S \* 6/2009 Huftalen ..... D10/116.1  
D593,889 S \* 6/2009 Huftalen ..... D10/116.1  
D710,721 S \* 8/2014 Boomgaarden ..... D10/106.8  
D720,486 S \* 12/2014 Gough ..... D26/63  
D723,727 S \* 3/2015 Moeller ..... D26/63  
D734,522 S \* 7/2015 Coulbeaut ..... D26/63  
D742,053 S \* 10/2015 Sussman ..... D26/63  
D745,201 S \* 12/2015 Lee ..... D26/63  
D768,522 S \* 10/2016 Liang ..... D10/106.8  
D788,607 S \* 6/2017 Ji ..... D10/70

(21) Appl. No.: **29/567,793**

\* cited by examiner

(22) Filed: **Jun. 13, 2016**

*Primary Examiner* — George D Kirschbaum

(30) **Foreign Application Priority Data**

*Assistant Examiner* — Joseph Kukella

Jan. 5, 2016 (CN) ..... 2016 3 0002282

(74) *Attorney, Agent, or Firm* — WPAT, PC

(51) **LOC (10) Cl.** ..... **10-05**

(52) **U.S. Cl.**  
USPC ..... **D10/106.6**

(57) **CLAIM**

(58) **Field of Classification Search**

The ornamental design for a sensing light fixture, as shown and described in the drawings.

USPC ..... D10/46, 75, 78–80, 104.1, 106.1–106.9,  
D10/116.1, 118, 118.2, 119.1, 121, 125,  
D10/126, 132; D8/401; D14/159;  
D13/158, 184; D26/24, 51, 61, 63, 65,  
D26/72, 80

**DESCRIPTION**

CPC ..... G08B 17/06; G08B 17/10; G08B 17/103;  
G08B 17/107; G08B 21/12; G08B 21/22;  
G08B 15/00; H04M 11/02; H04M  
11/025; H04N 7/186

FIG. 1 is a front view of the sensing light fixture showing my new design;  
FIG. 2 is a back view thereof;  
FIG. 3 is a left view thereof;  
FIG. 4 is a right view thereof;  
FIG. 5 is a top view thereof;  
FIG. 6 is a bottom view thereof; and,  
FIG. 7 is a perspective view thereof.

See application file for complete search history.

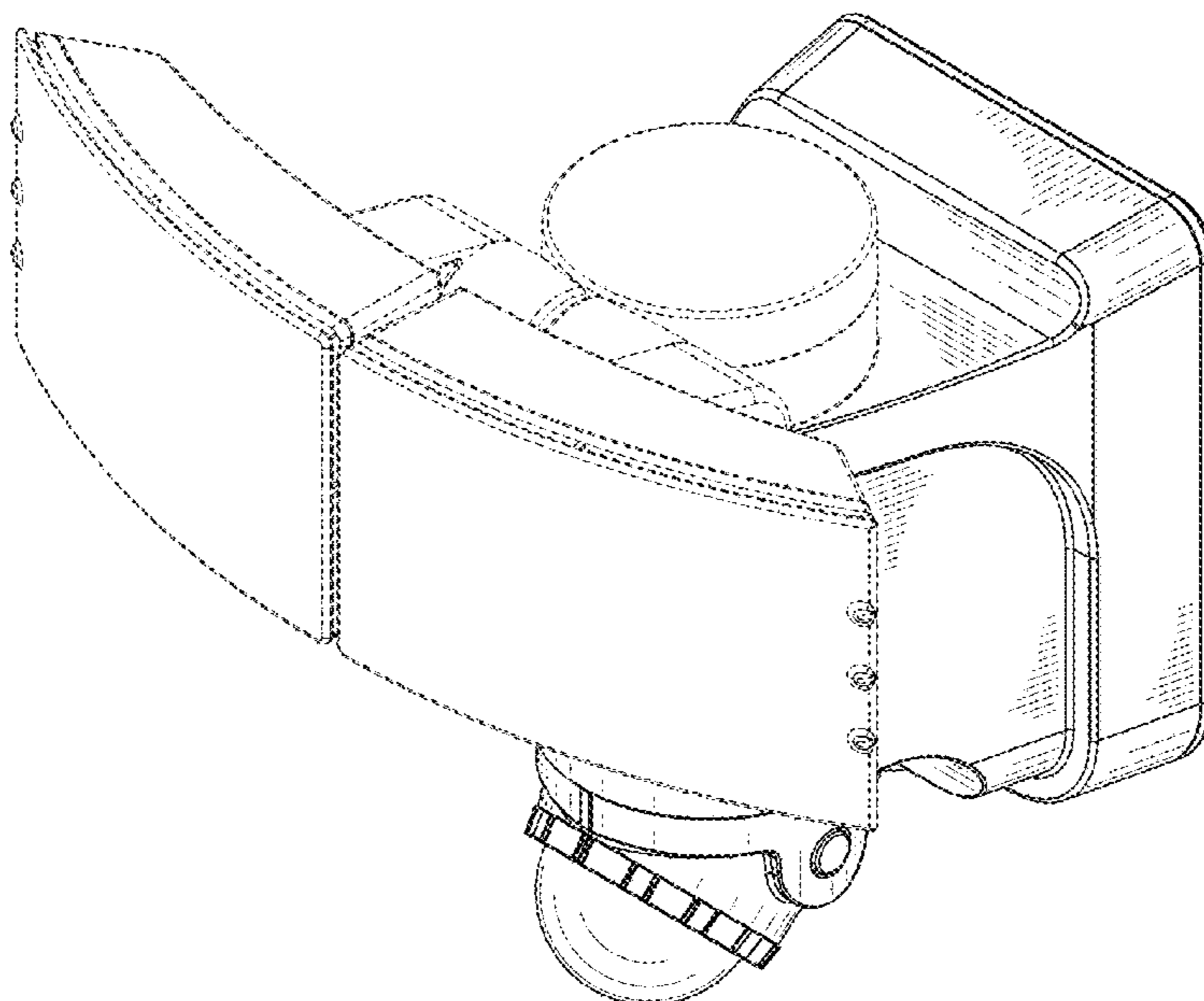
In the drawings, the broken lines depict environmental subject matter only and form no part of the claimed design.

(56) **References Cited**

**U.S. PATENT DOCUMENTS**

D372,203 S \* 7/1996 Sandell ..... D10/106.8  
D392,065 S \* 3/1998 Morrow ..... D10/106.1

**1 Claim, 7 Drawing Sheets**



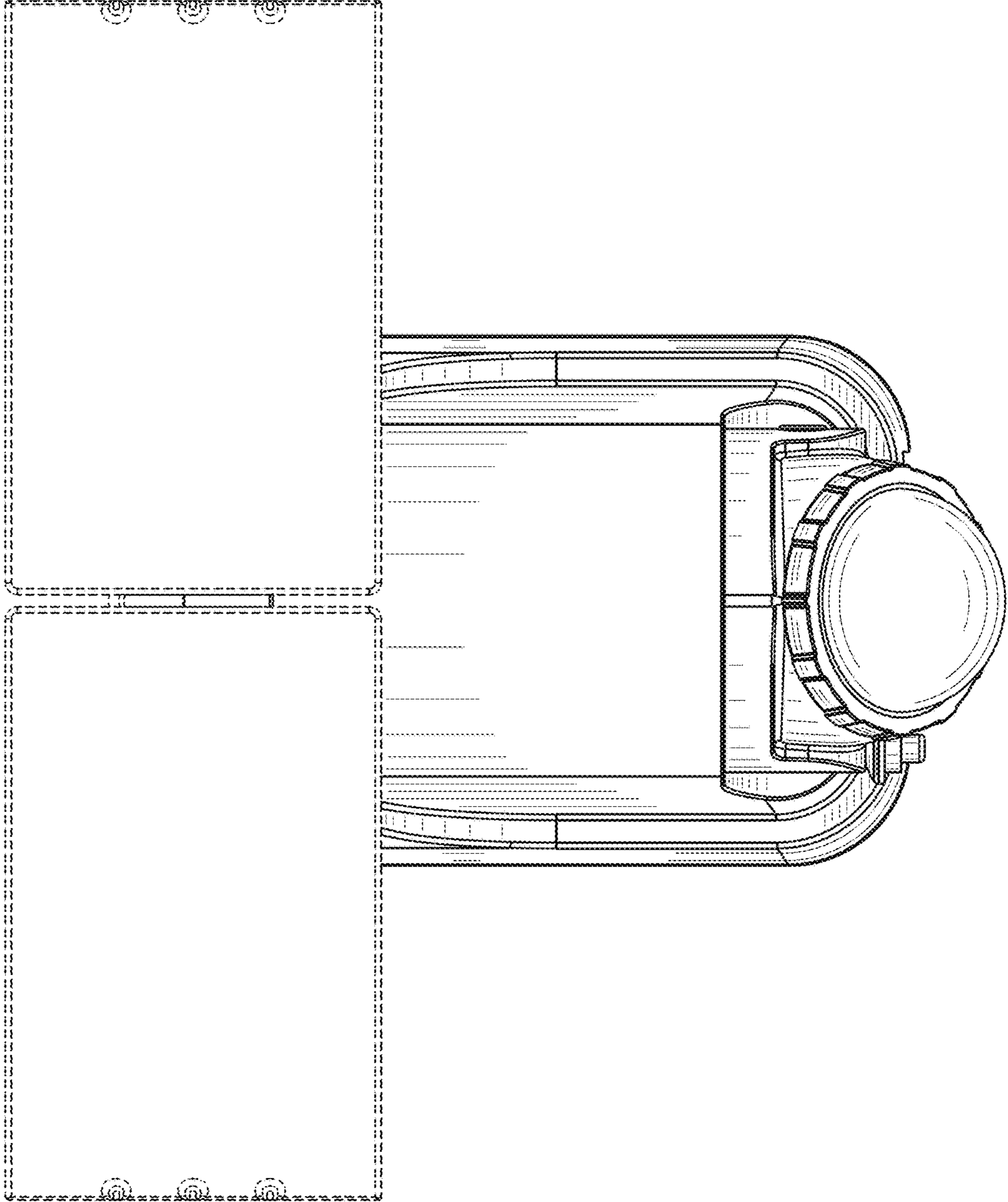


FIG.1

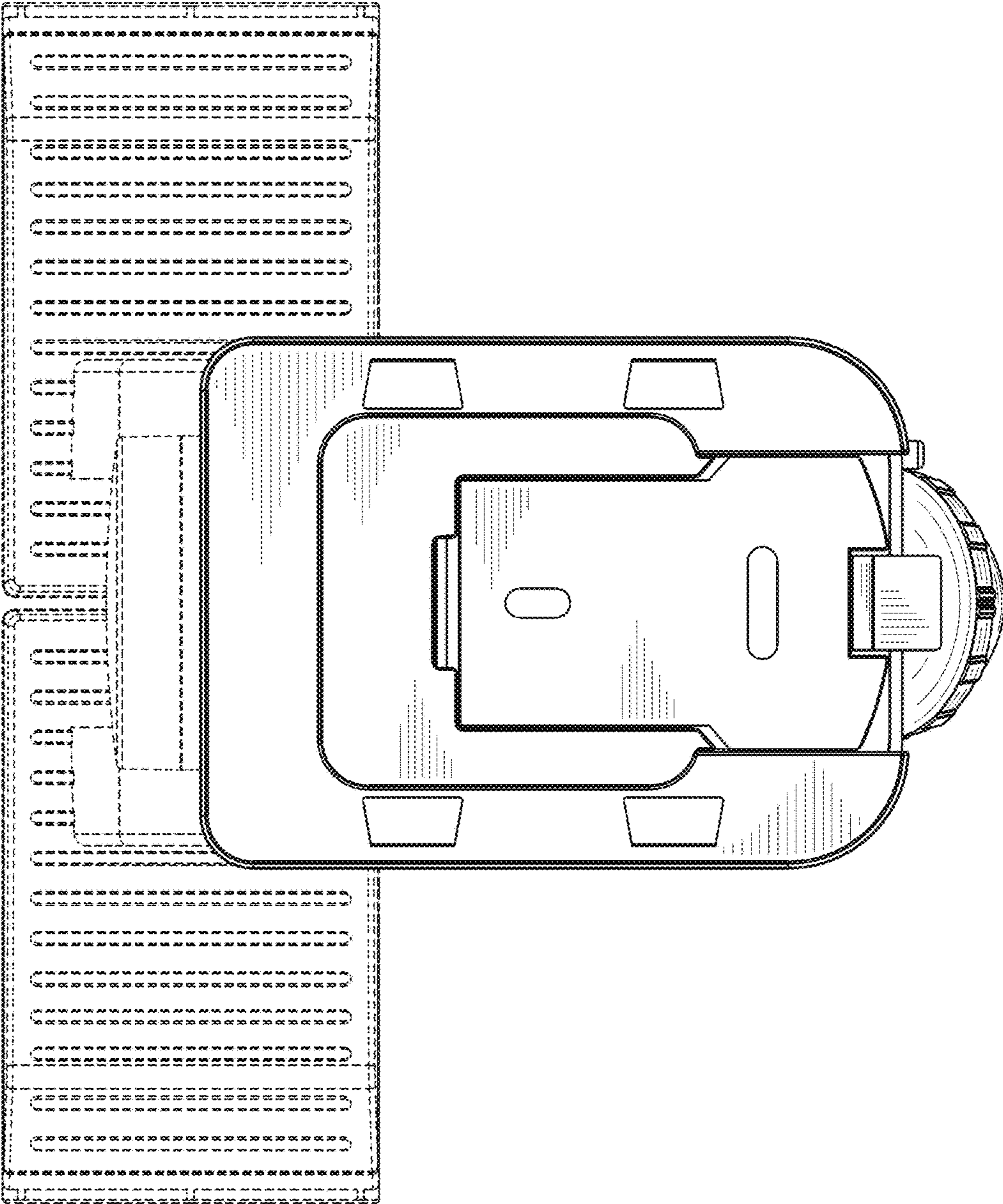


FIG.2

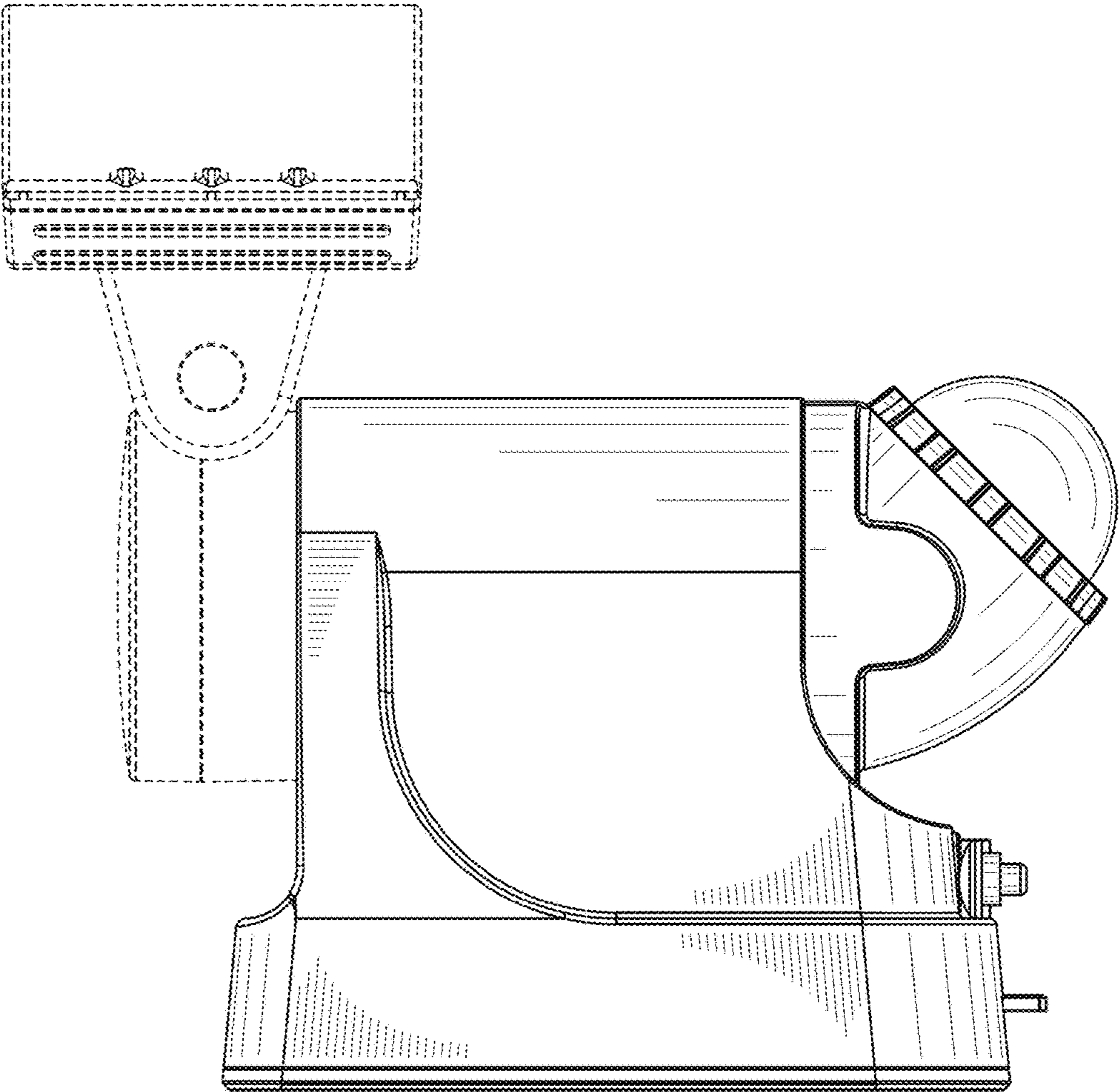


FIG.3

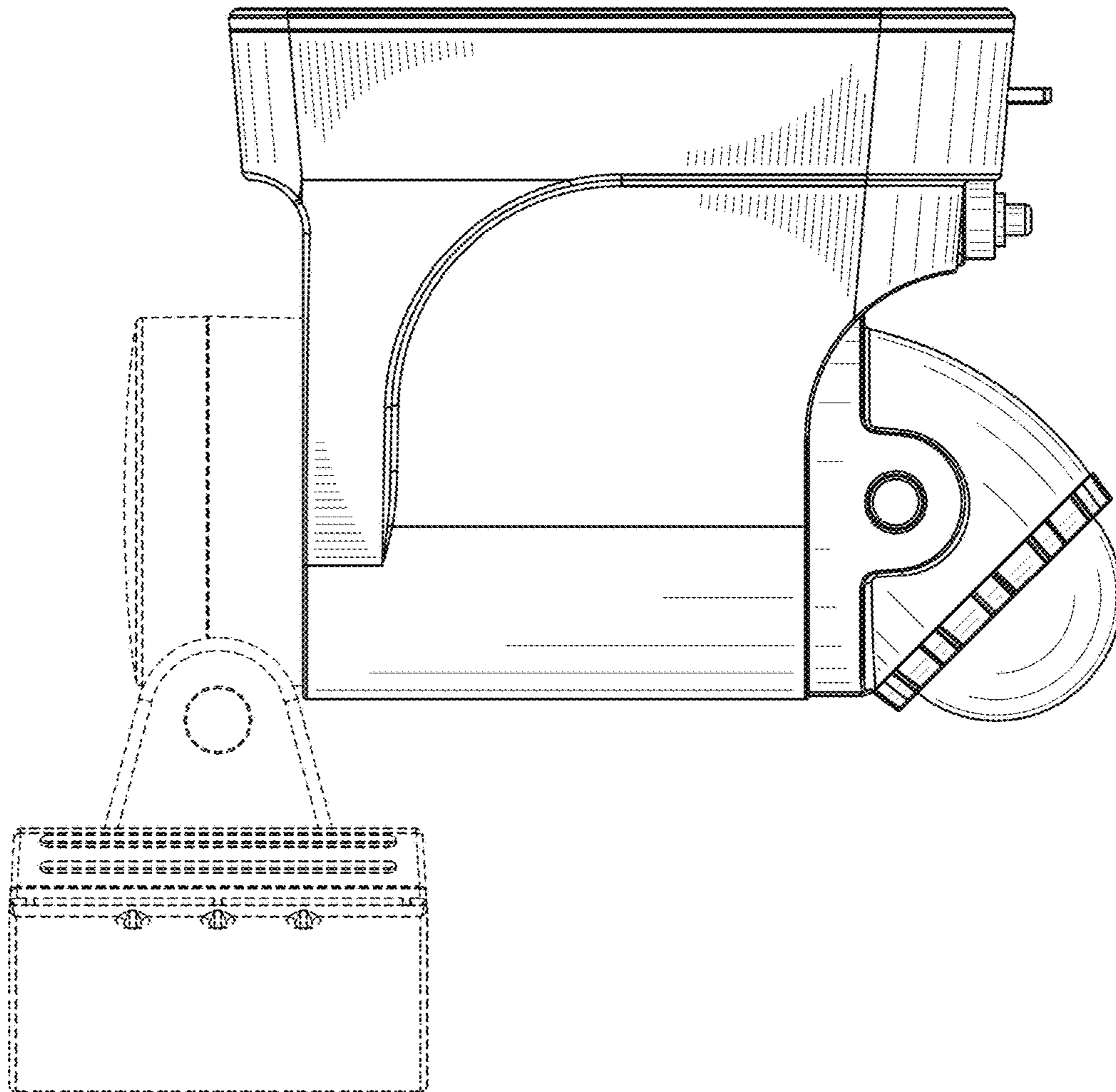


FIG.4

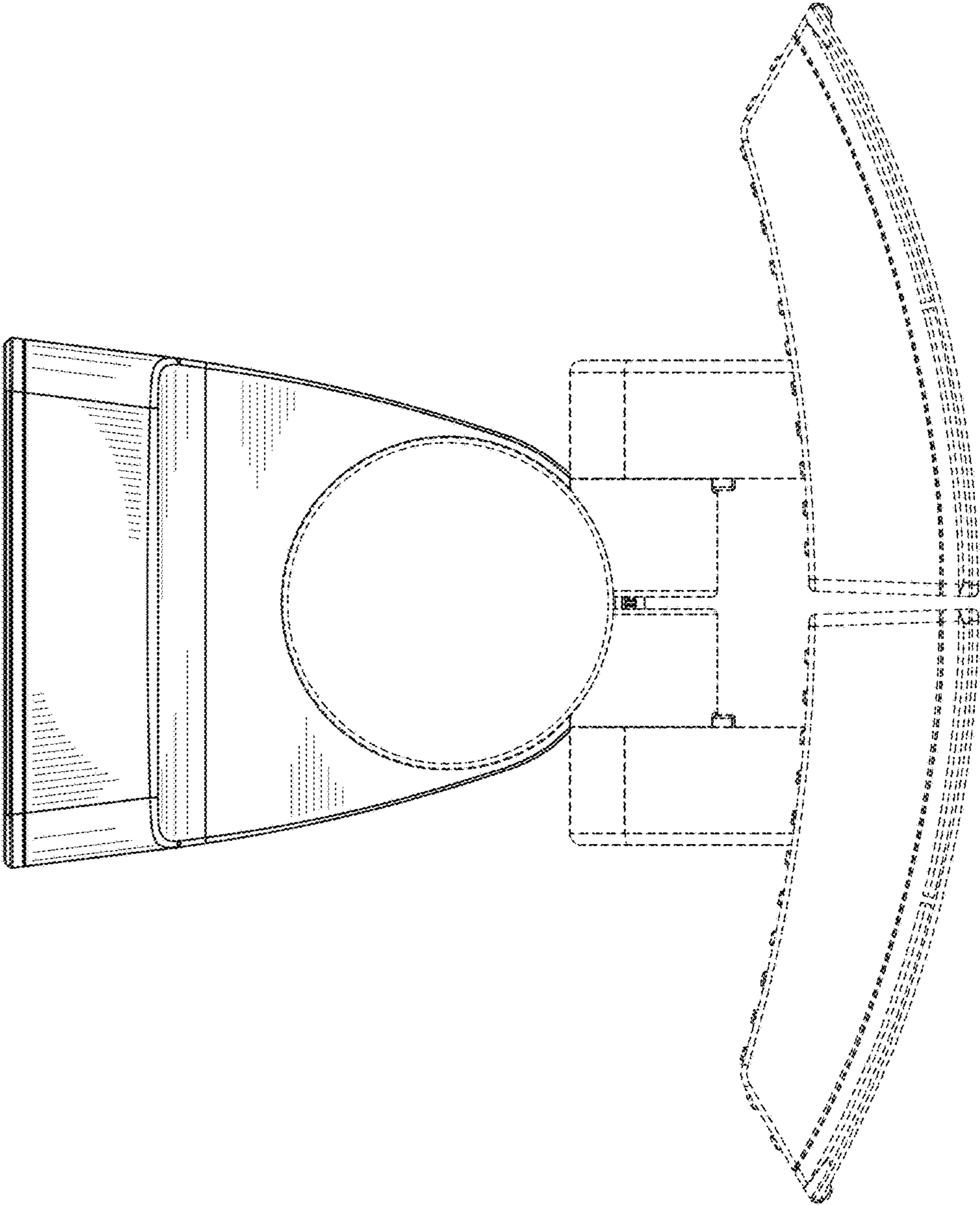


FIG.5

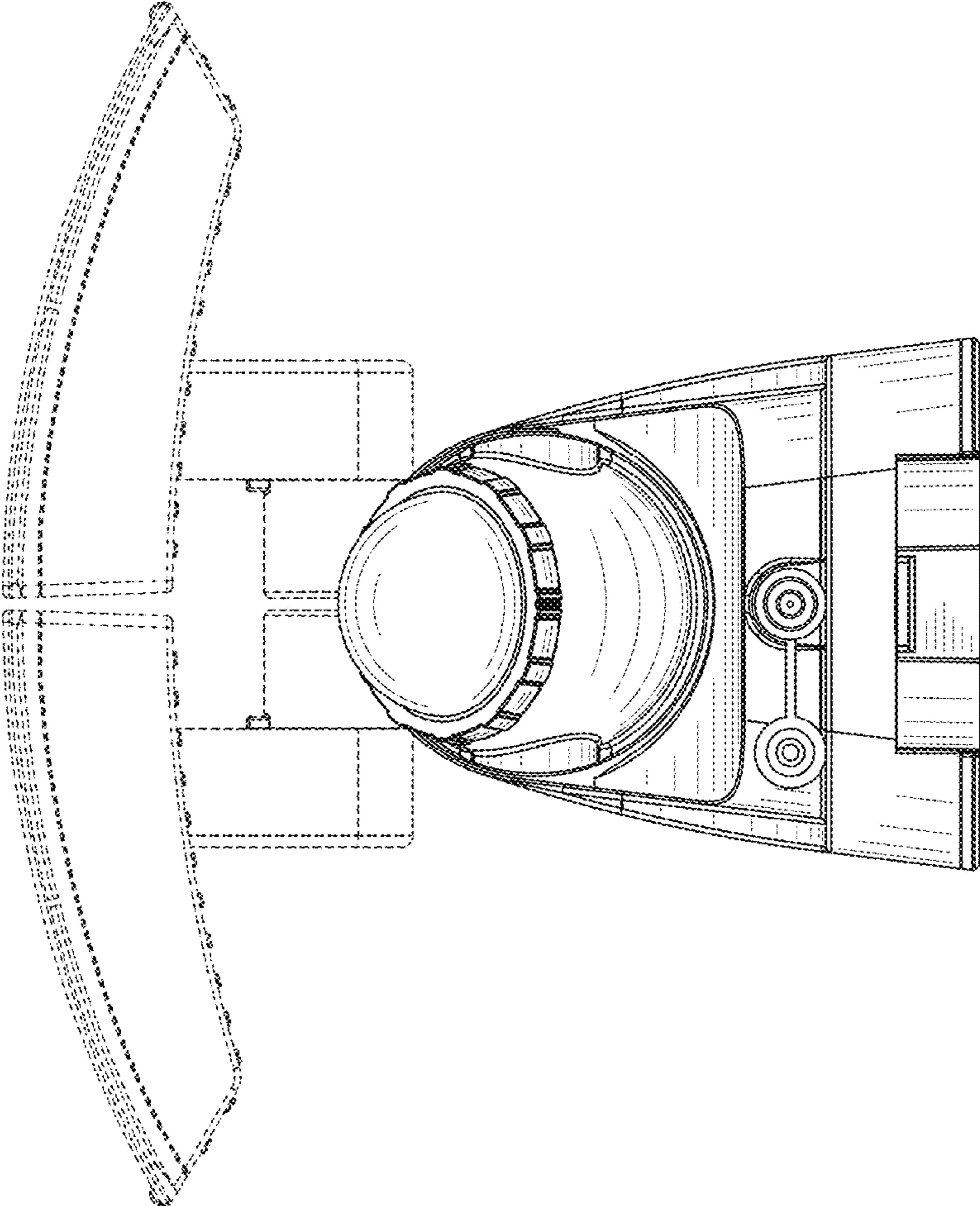


FIG.6

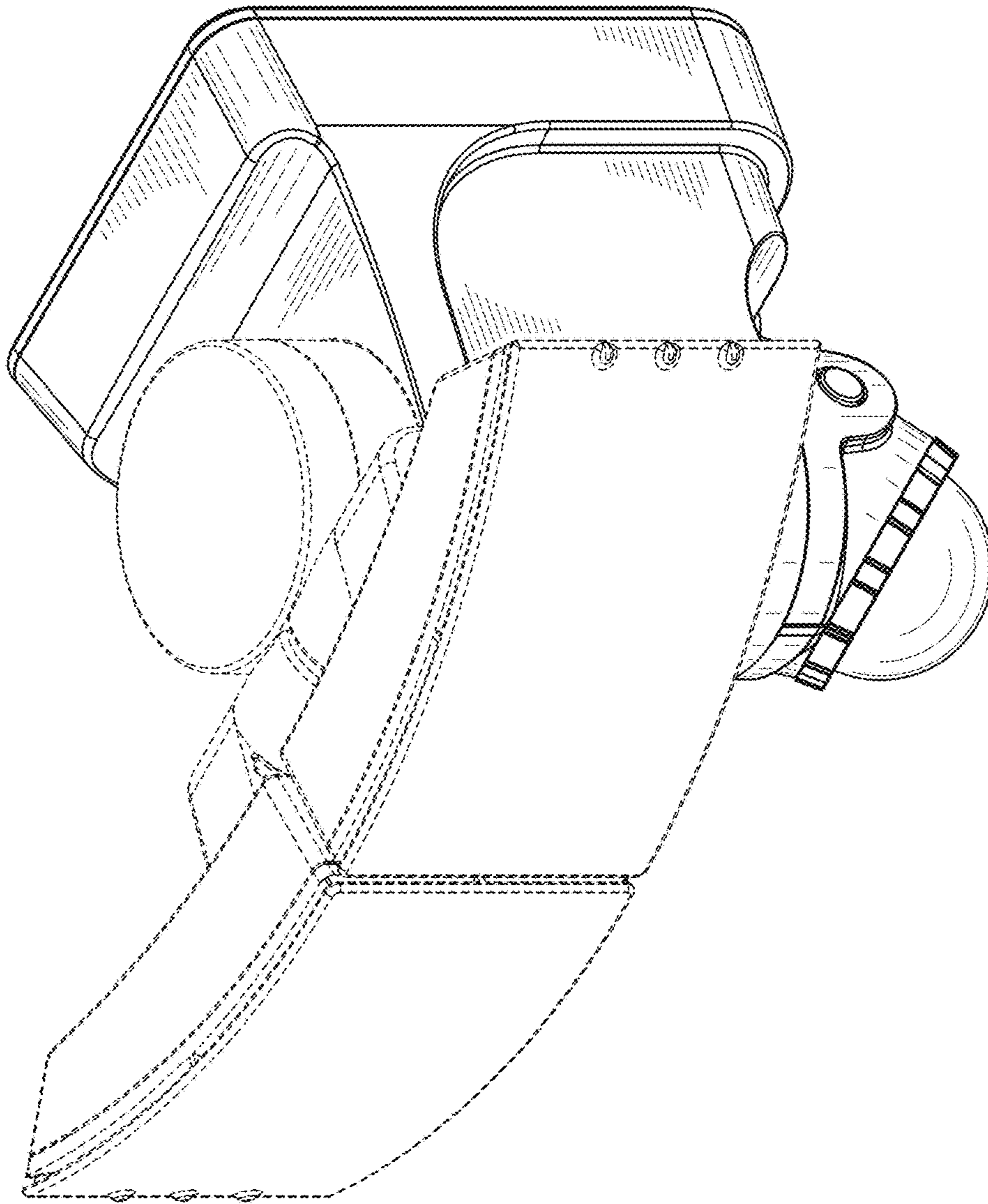


FIG.7