



US00D801839S

(12) **United States Design Patent** (10) **Patent No.:** **US D801,839 S**  
**Nguyen et al.** (45) **Date of Patent:** **\*\* Nov. 7, 2017**

(54) **SMART WATER METER** 15/18; Y10T 137/0413; Y10T 137/2224;  
Y10T 137/6851; Y10T 137/6966

(71) Applicant: **RYNAN TECHNOLOGIES PTE LTD.**, Singapore (SG) See application file for complete search history.

(72) Inventors: **My T. Nguyen**, Travinh (VN); **Luong V. Truong**, Chau Tranh District (VN); **Cuong Q. Hong**, Travinh (VN); **Anh T. Duong**, Phu Quoc Island (VN); **Hien H. Nguyen**, Long My District (VN); **An Trinh**, Travinh (VN); **Trieu T. Le**, Hon Dat District (VN); **Thong A. Nguyen**, Travinh (VN); **Khang M. Duong**, Can Tho (VN)

(73) Assignee: **RYNAN TECHNOLOGIES PTE LTD.**, Singapore (SG)

(\*\*) Term: **15 Years**

(21) Appl. No.: **29/564,052**

(22) Filed: **May 10, 2016**

(30) **Foreign Application Priority Data**

Nov. 12, 2015 (CA) ..... 165253  
Nov. 12, 2015 (CA) ..... 165254  
Nov. 12, 2015 (CA) ..... 165255

(51) **LOC (10) Cl.** ..... **10-04**

(52) **U.S. Cl.**  
USPC ..... **D10/99**

(58) **Field of Classification Search**  
USPC ..... D10/99  
CPC ... G01F 1/162; G01F 1/40; G01F 1/42; G01F 1/44; G01F 1/46; G01F 1/06; G01F 1/07; G01F 1/10; G01F 3/02; G01F 3/12; G01F 15/063; G01F 15/06; G01F 15/14; G01F

(56) **References Cited**

U.S. PATENT DOCUMENTS

D133,043 S *	7/1942	Powell	.....	D10/99
3,550,604 A *	12/1970	Richards	.....	F15C 1/08 137/810
4,503,594 A *	3/1985	Gall	.....	G01F 1/42 138/41
4,582,220 A *	4/1986	Batting	.....	G01F 15/07 220/241
5,741,969 A *	4/1998	Sebastopoli	.....	G01F 15/00 137/15.03
6,397,687 B1 *	6/2002	Garmas	.....	G01F 1/06 137/119.07
7,631,562 B1 *	12/2009	Speldrich	.....	G01F 1/68 73/861.52

\* cited by examiner

*Primary Examiner* — Antoine D Davis

(74) *Attorney, Agent, or Firm* — Altera Law Group, LLC

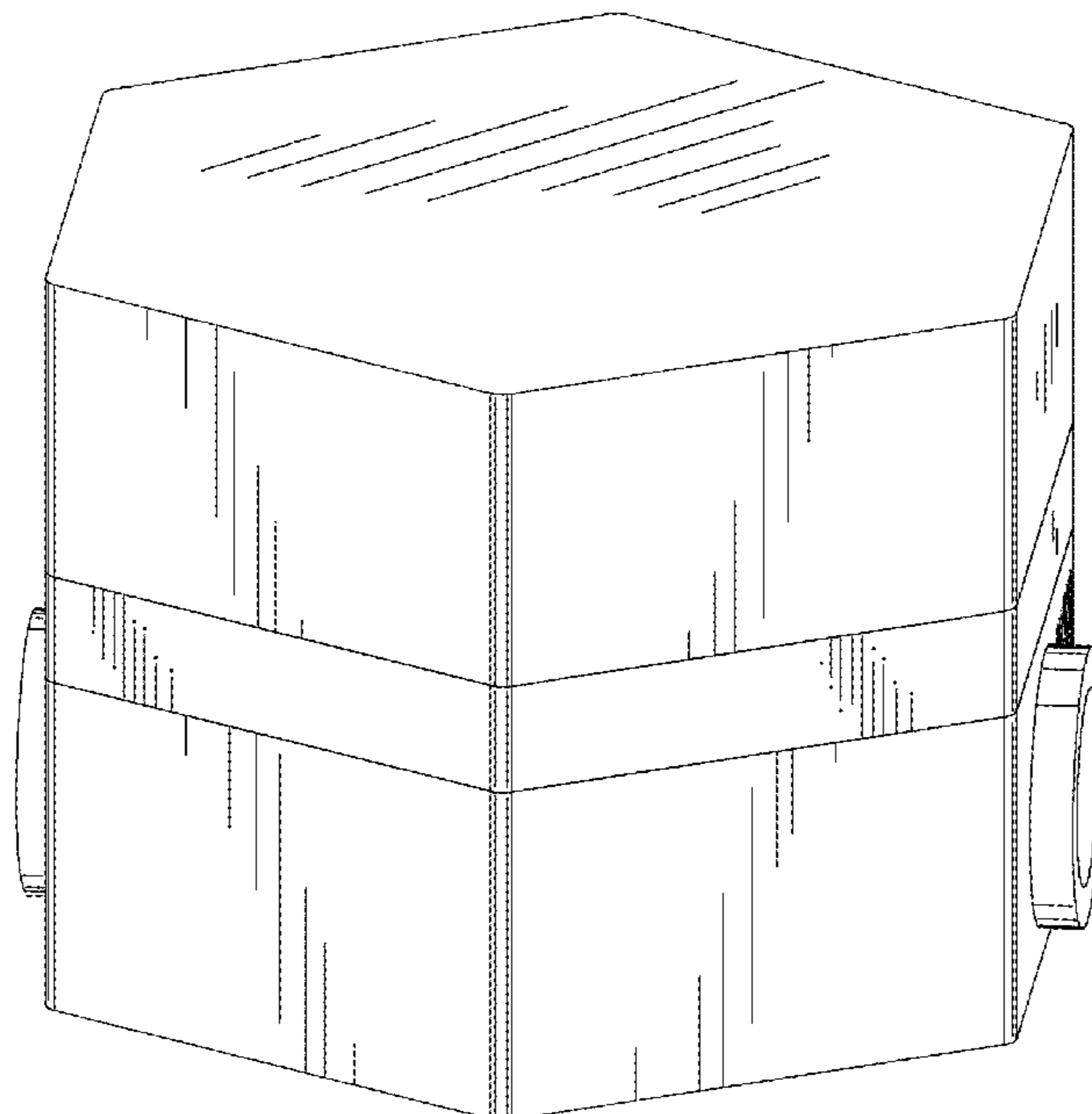
(57) **CLAIM**

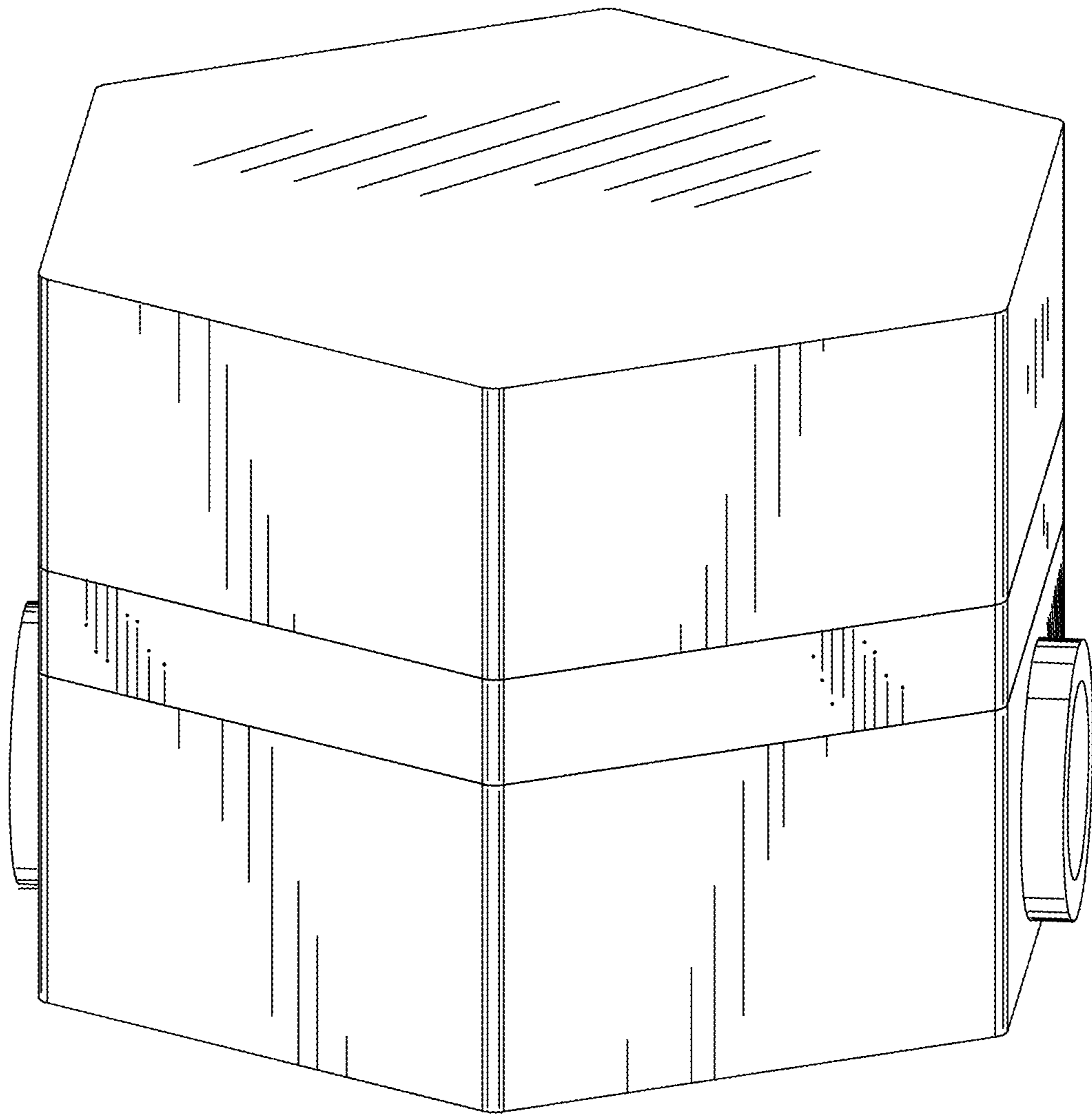
The ornamental design for a smart water meter, as shown and described.

**DESCRIPTION**

FIG. 1 is a perspective view of the smart water meter.  
FIG. 2 is a front view thereof.  
FIG. 3 is a back view thereof.  
FIG. 4 is a top view thereof.  
FIG. 5 is a bottom view thereof.  
FIG. 6 is a left side view thereof; and,  
FIG. 7 is a right side view thereof.

**1 Claim, 7 Drawing Sheets**





**Fig. 1**

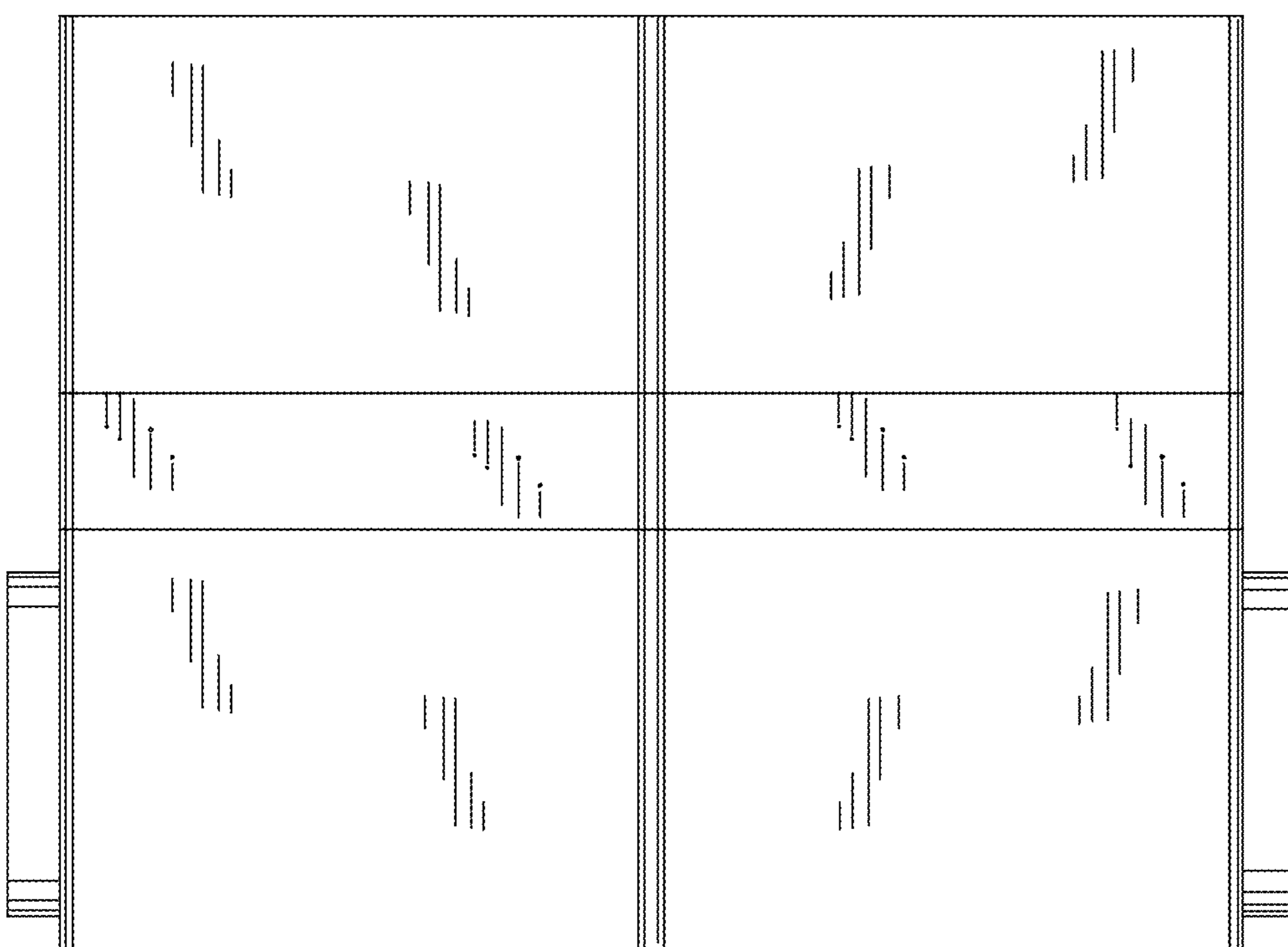
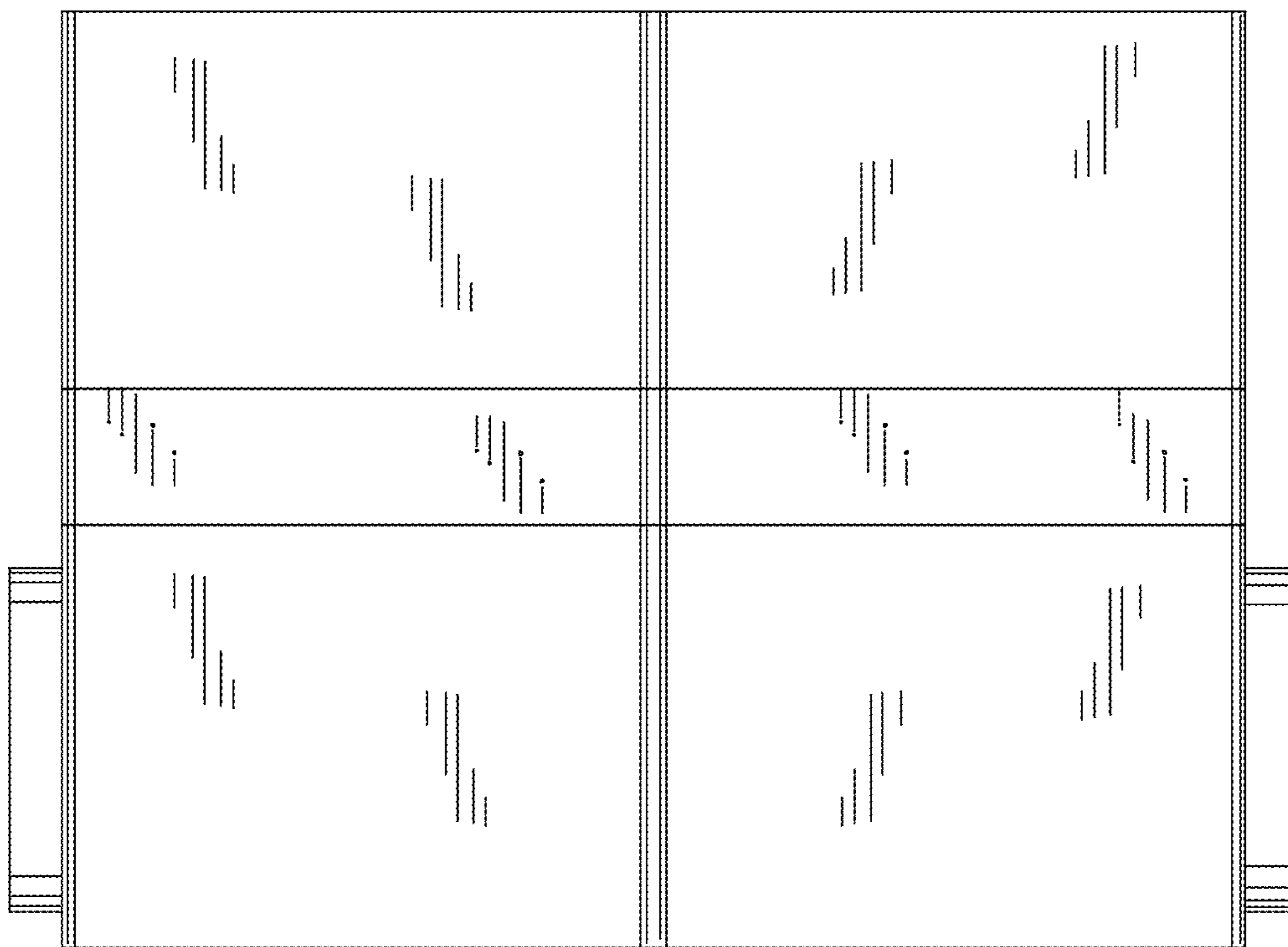


Fig. 2



**Fig. 3**

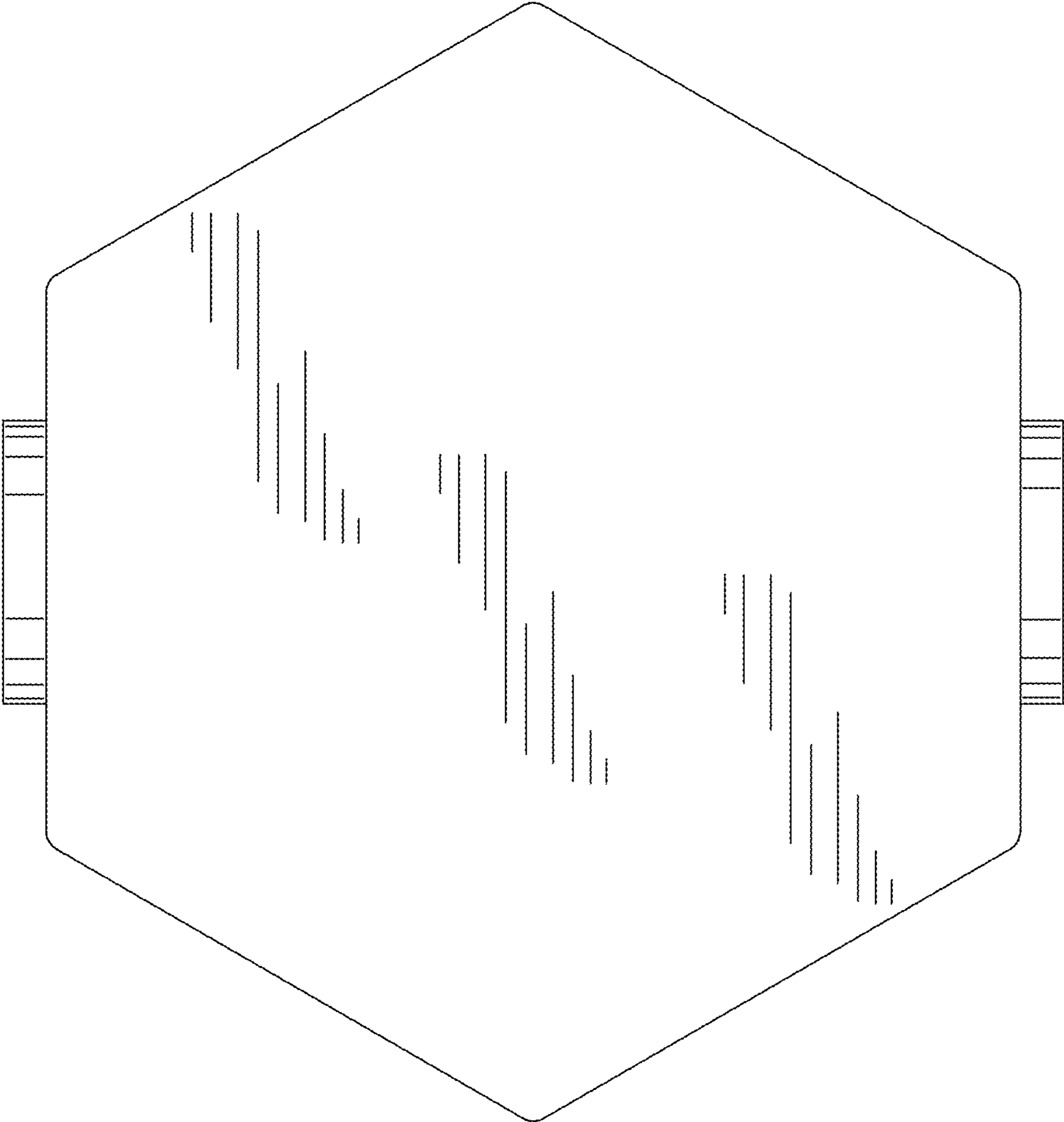
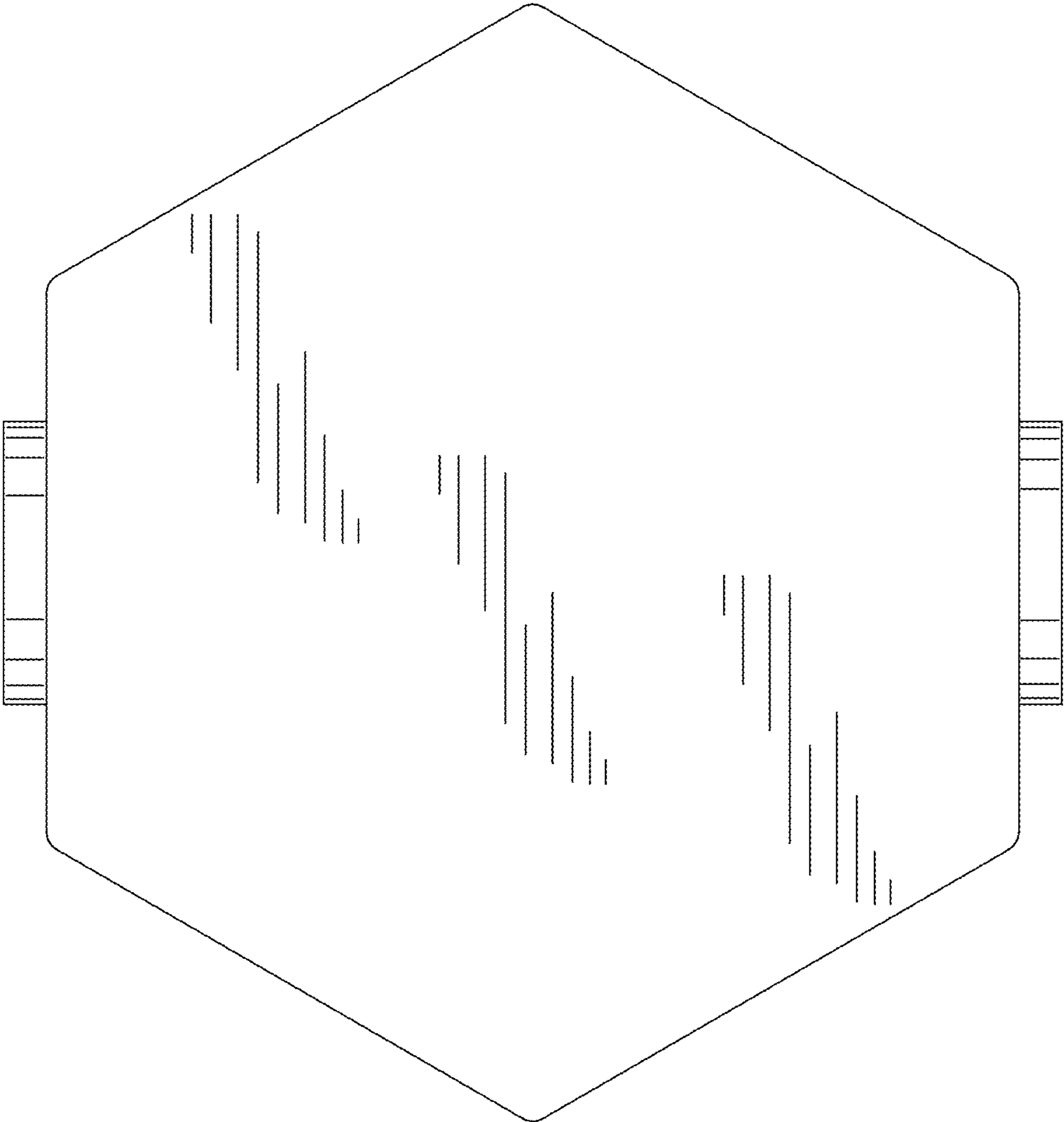
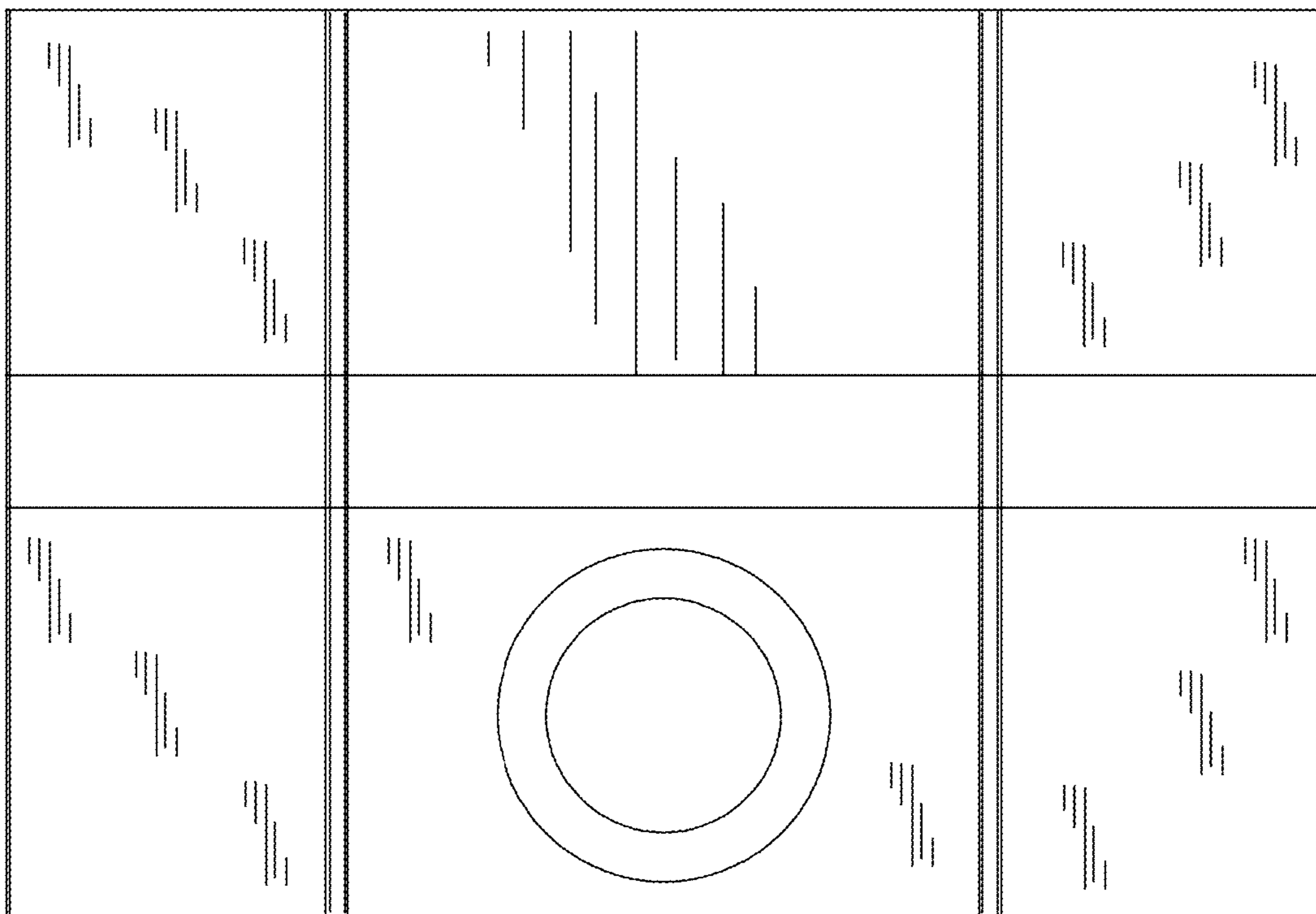


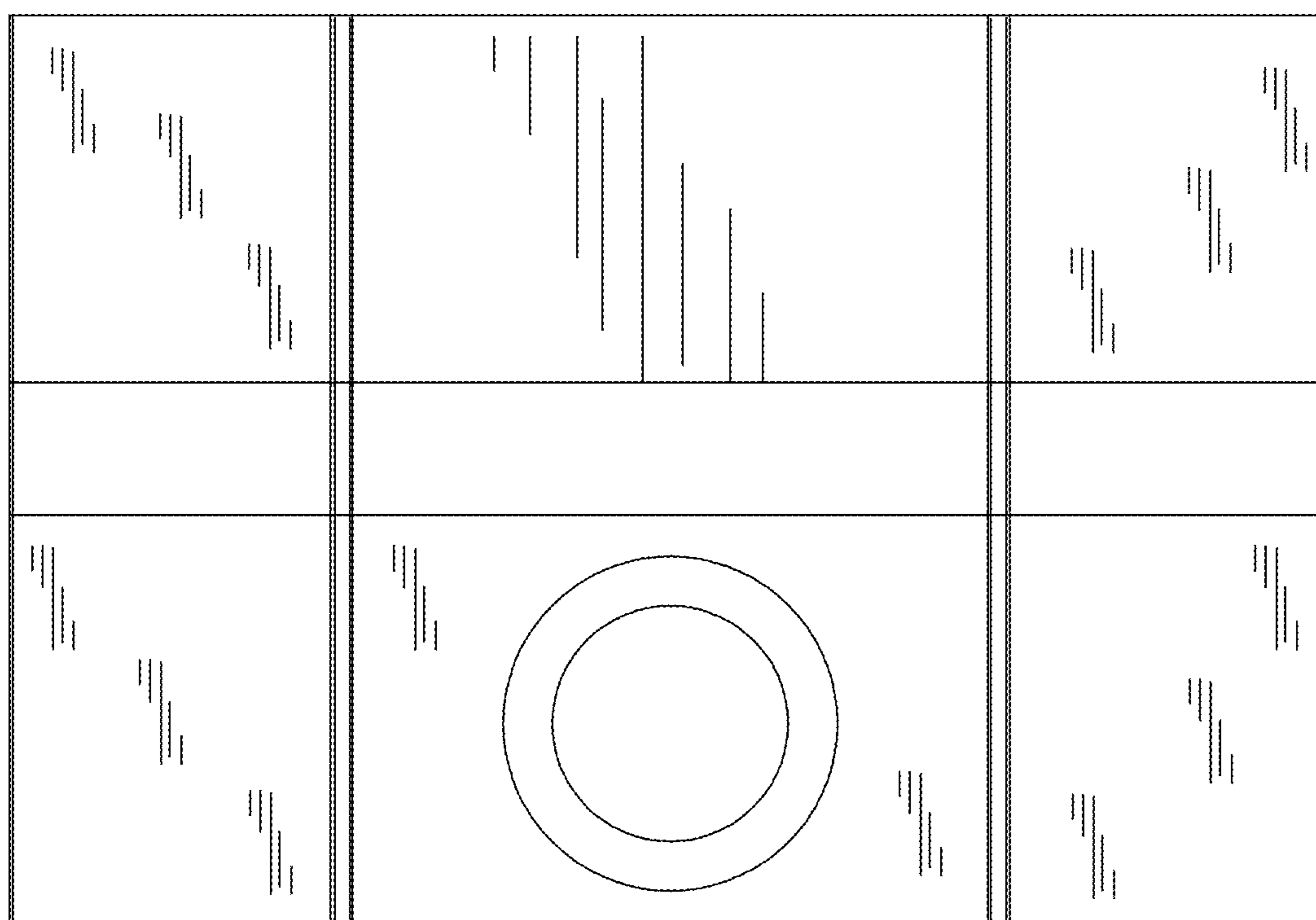
Fig. 4



**Fig. 5**



**Fig. 6**



**Fig. 7**