



US00D801835S

(12) **United States Design Patent**  
**Shioguchi**

(10) **Patent No.:** **US D801,835 S**

(45) **Date of Patent:** **\*\* Nov. 7, 2017**

(54) **IN-VEHICLE NAVIGATION DEVICE**

(71) Applicant: **CLARION CO., LTD**, Saitama (JP)

(72) Inventor: **Takuma Shioguchi**, Saitama (JP)

(73) Assignee: **CLARION CO., LTD.**, Saitama (JP)

(\*\*) Term: **15 Years**

(21) Appl. No.: **29/562,159**

(22) Filed: **Apr. 22, 2016**

(30) **Foreign Application Priority Data**

Oct. 23, 2015 (JP) ..... 2015-023558

(51) **LOC (10) Cl.** ..... **10-04**

(52) **U.S. Cl.**  
USPC ..... **D10/65**

(58) **Field of Classification Search**

USPC ..... D10/65, 70, 74

CPC ..... G06F 17/50; G06F 17/2235; G06F  
17/30867; G06F 17/30699; G06F 3/048;  
G06F 3/0481; G06F 3/04812; G06F  
3/04815; G06F 3/04817; G06F 3/0482;  
G06F 3/0483; G06F 3/0484; G06F  
3/04842; G06F 3/04845; G06F 3/04897;  
G06F 3/0485

See application file for complete search history.

(56) **References Cited**

**U.S. PATENT DOCUMENTS**

D507,193 S \* 7/2005 Owaki ..... D10/65  
D541,681 S \* 5/2007 Sekino ..... D10/65

D582,807 S \* 12/2008 Ichikawa ..... D10/65  
D597,424 S \* 8/2009 Miyawaki ..... D10/65  
D672,330 S \* 12/2012 Komagamine ..... D10/65  
D673,471 S \* 1/2013 Miyawaki ..... D10/65  
D676,342 S \* 2/2013 Koiwa ..... D10/65  
D718,644 S \* 12/2014 Koiwa ..... D10/65  
D726,561 S \* 4/2015 Endo ..... D10/65  
D731,338 S \* 6/2015 Funayama ..... D10/65  
D731,907 S \* 6/2015 Funayama ..... D10/65  
9,293,053 B2 \* 3/2016 Ihns ..... G08G 5/0021

\* cited by examiner

*Primary Examiner* — Antoine D Davis

(74) *Attorney, Agent, or Firm* — McDermott Will & Emery LLP

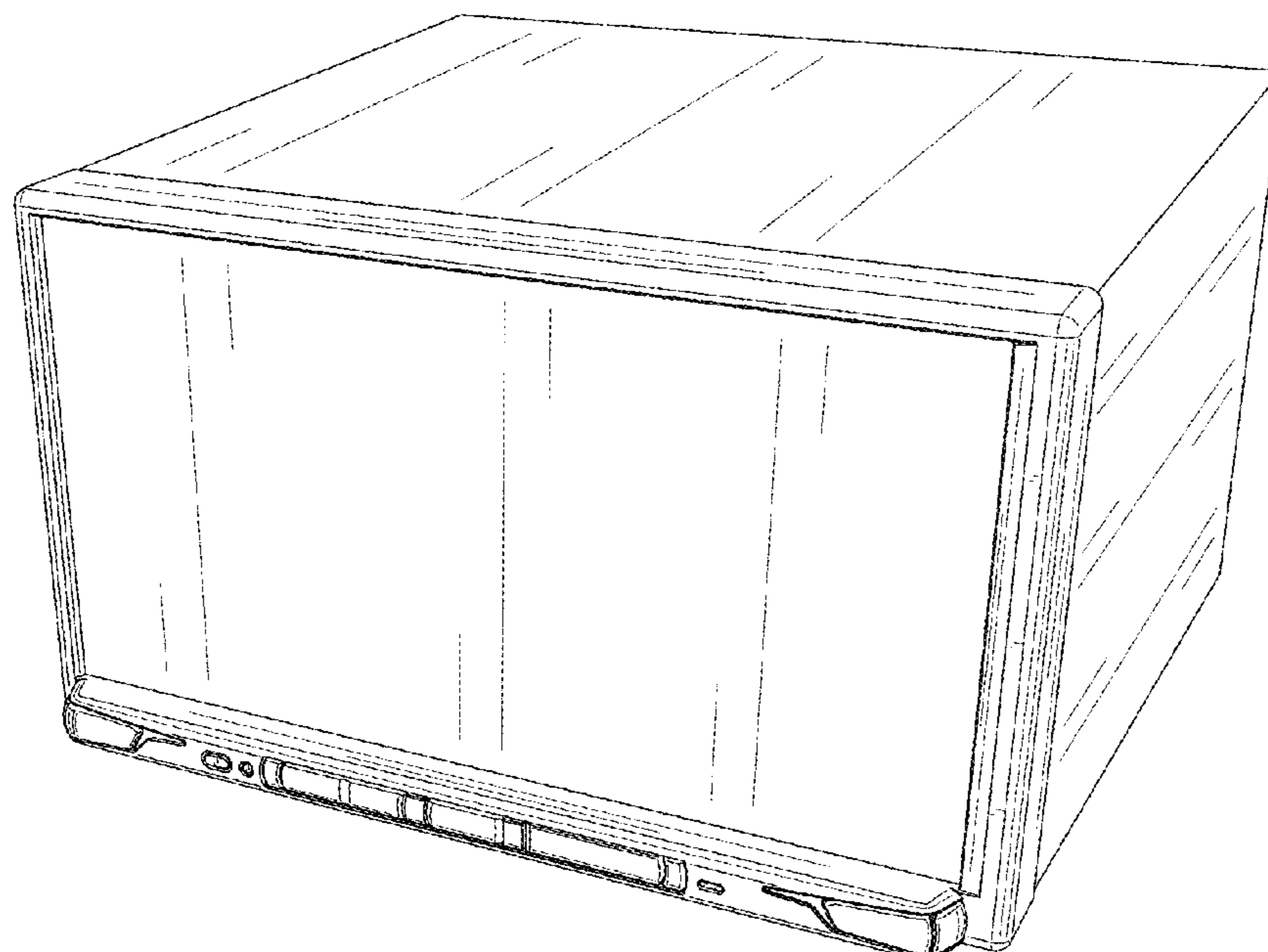
(57) **CLAIM**

The ornamental design for an in-vehicle navigation device, as shown and described.

**DESCRIPTION**

FIG. 1 is a front view of an in-vehicle navigation device showing my new design;  
FIG. 2 is a rear view thereof;  
FIG. 3 is a left-side view thereof;  
FIG. 4 is a right-side view thereof;  
FIG. 5 is a top view thereof;  
FIG. 6 is a bottom view thereof;  
FIG. 7 is a perspective view thereof; and,  
FIG. 8 is a reference front view thereof.

**1 Claim, 8 Drawing Sheets**



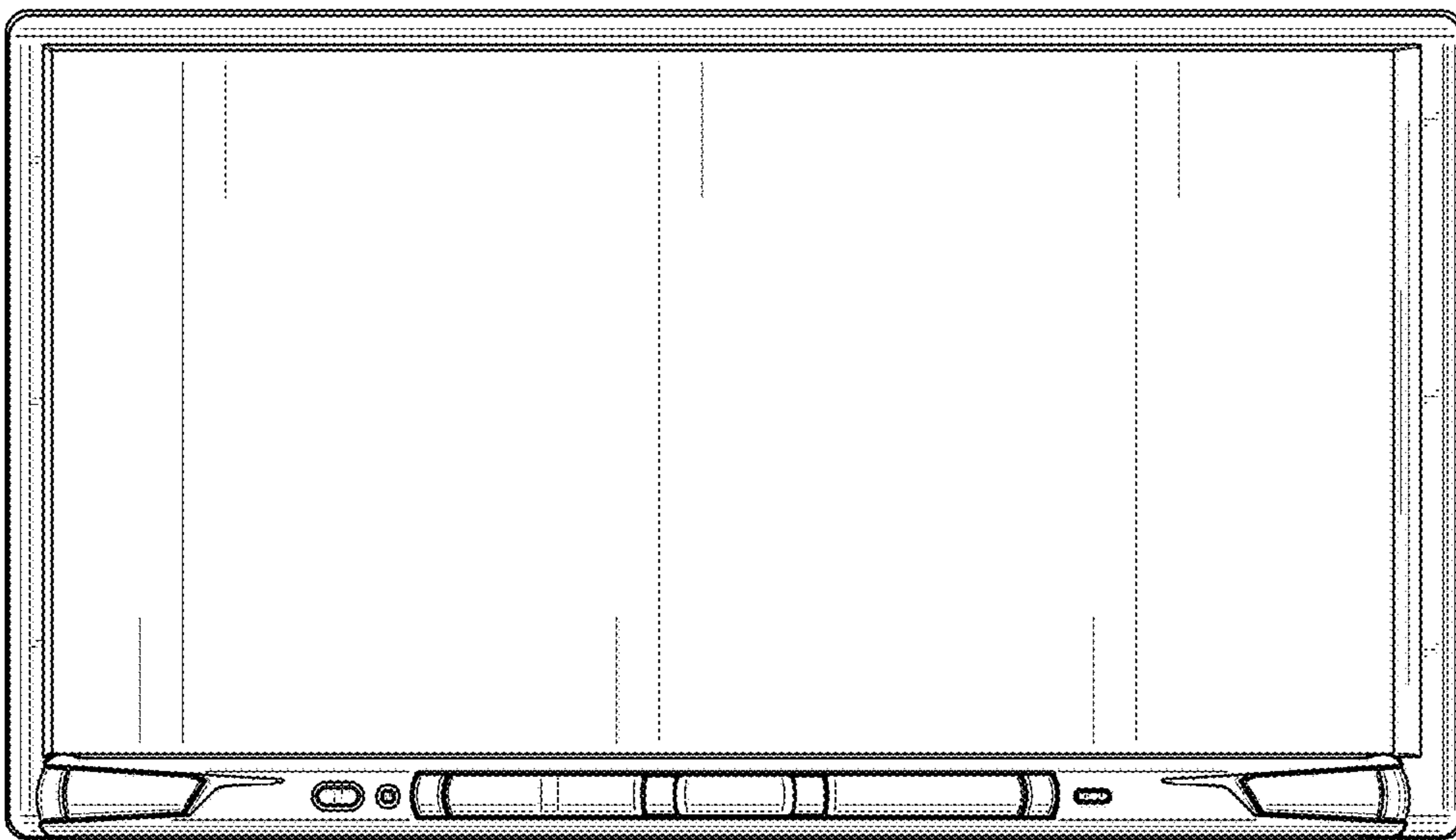


FIG. 1

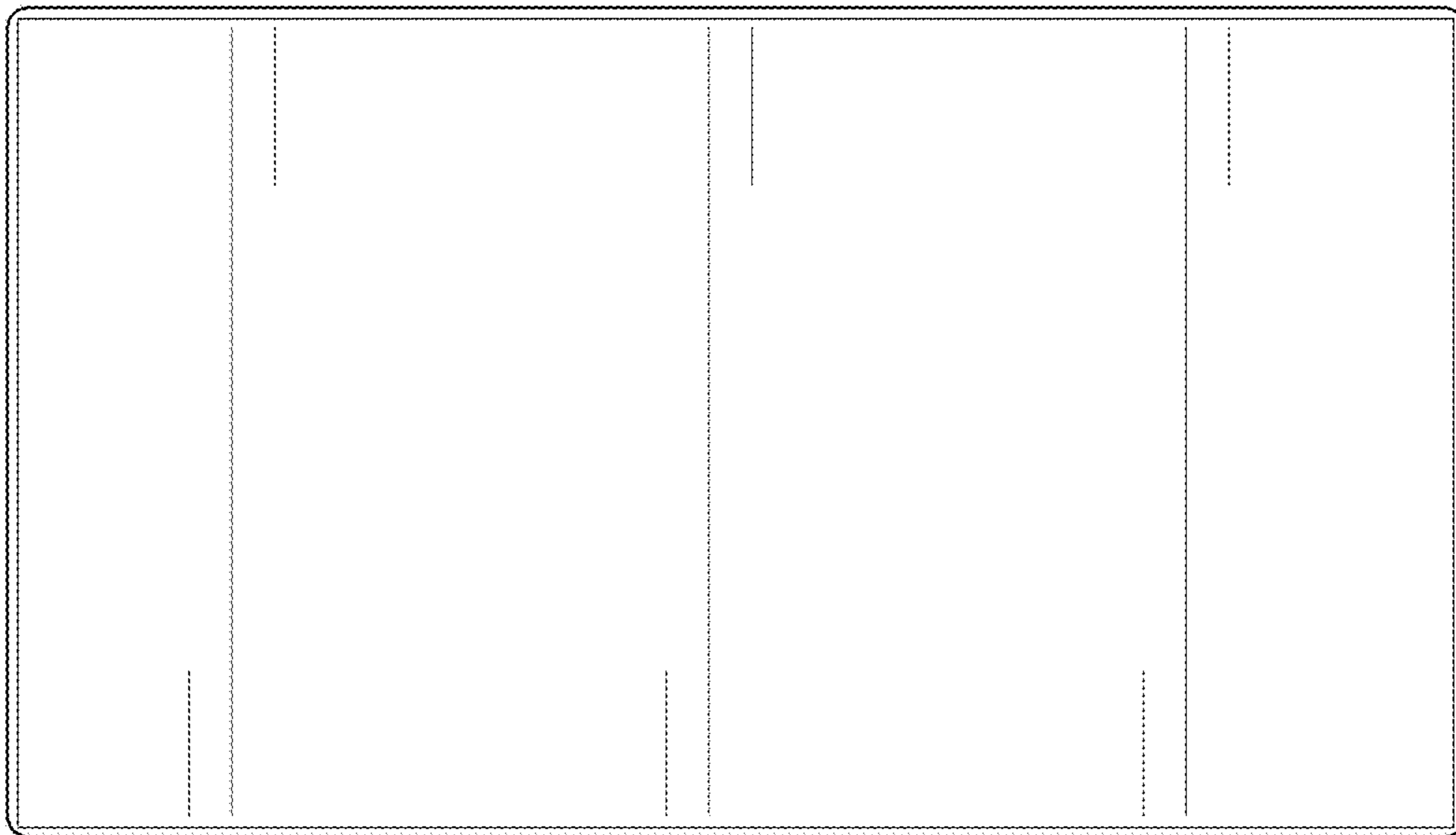


FIG. 2

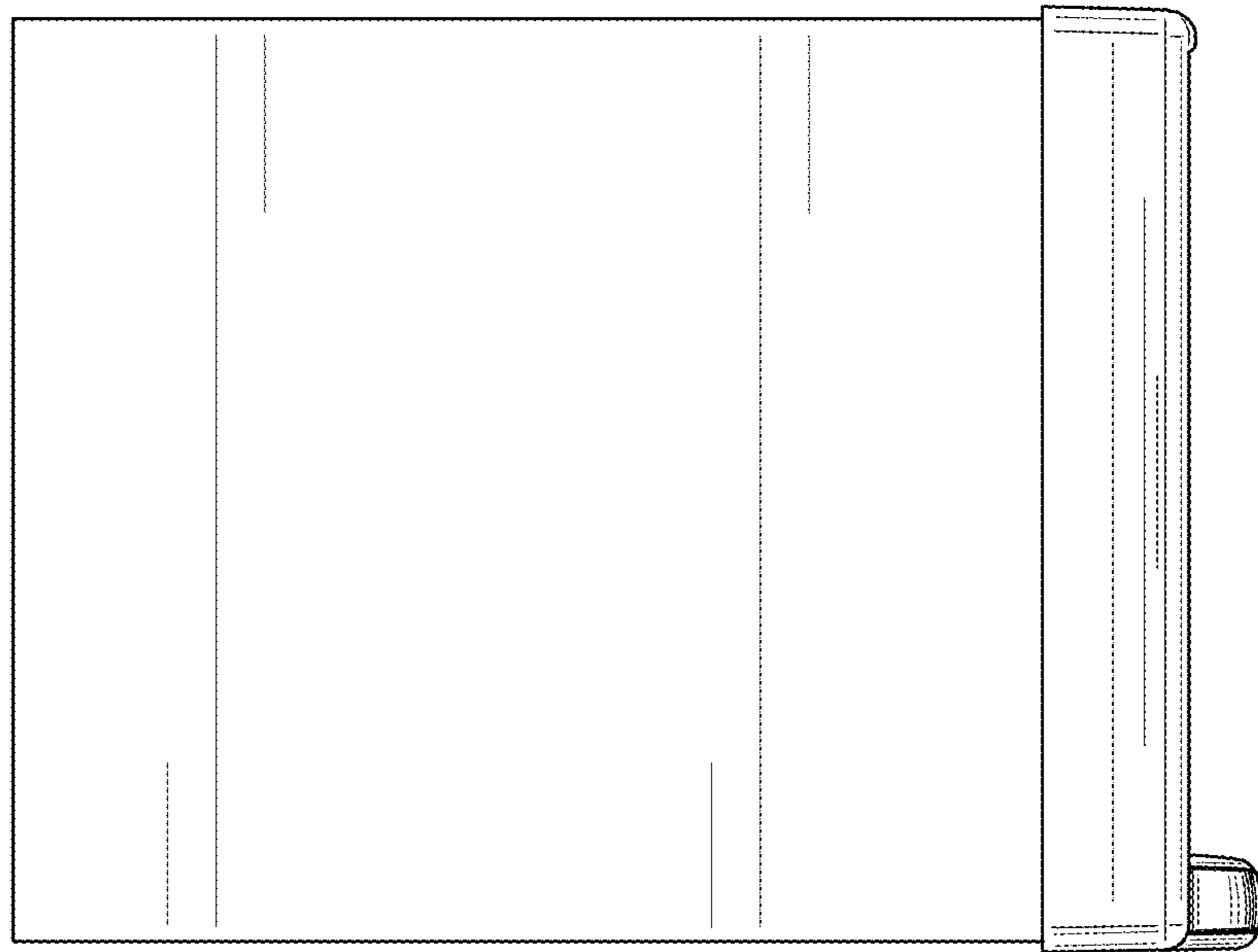


FIG. 3

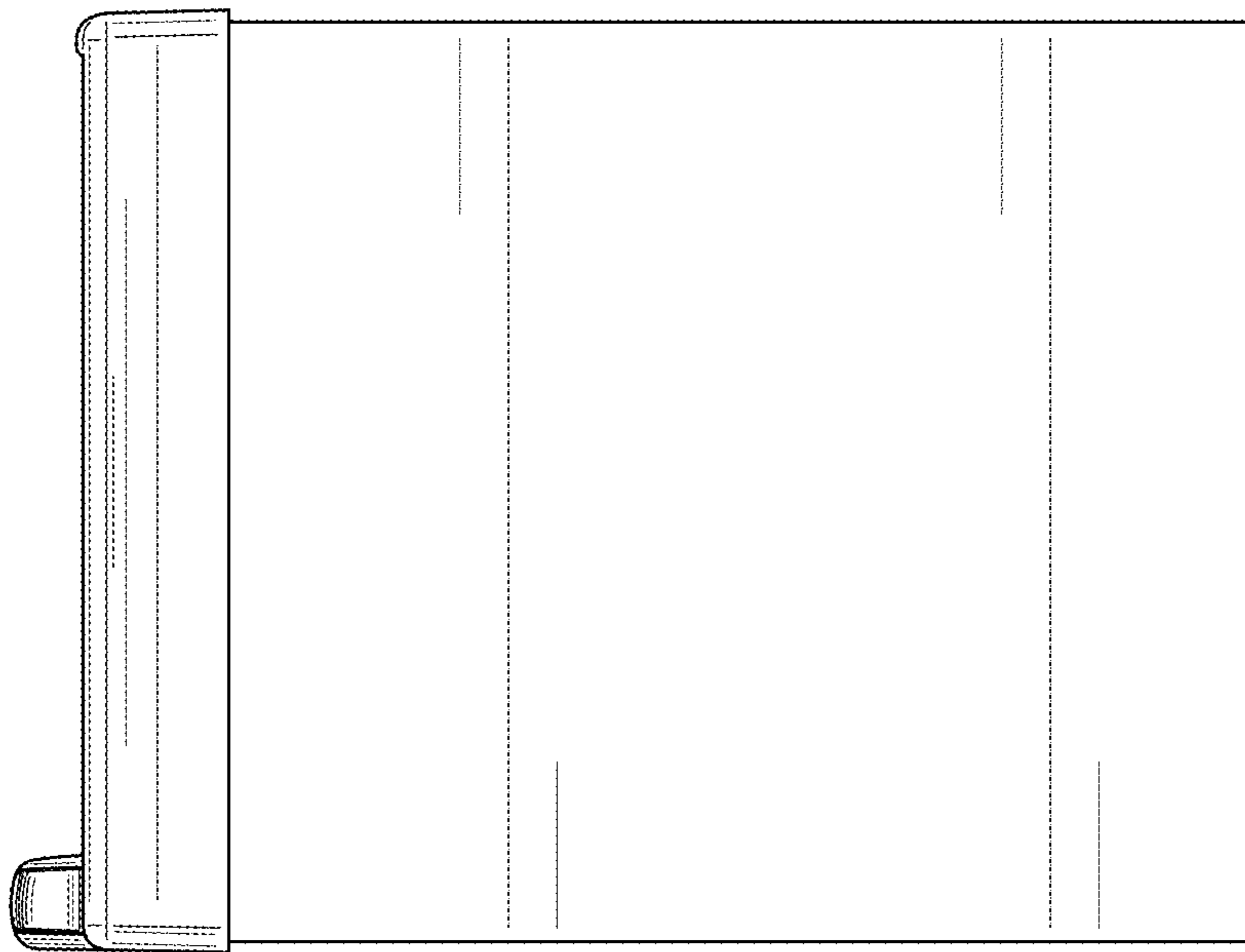


FIG. 4

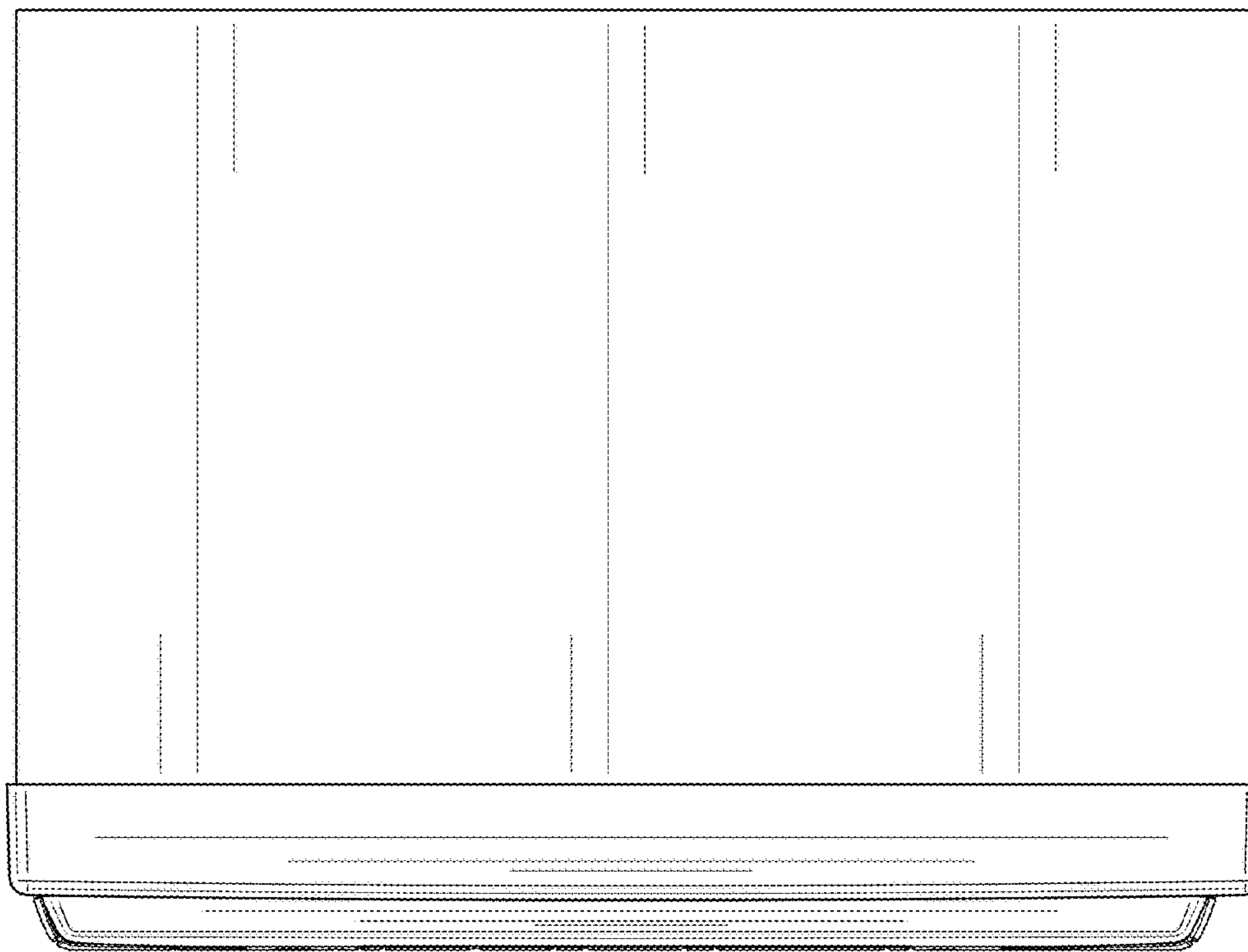


FIG. 5

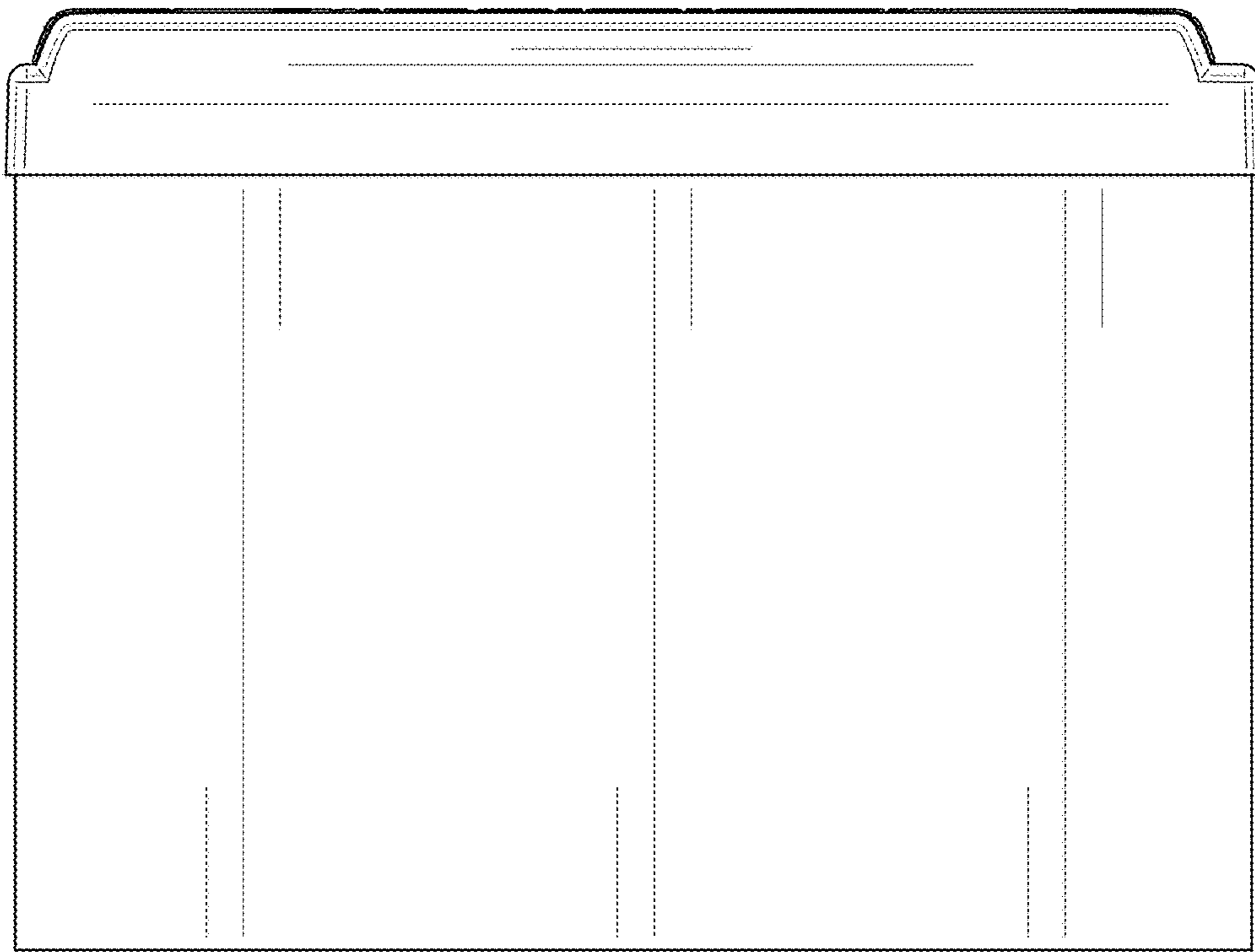


FIG. 6

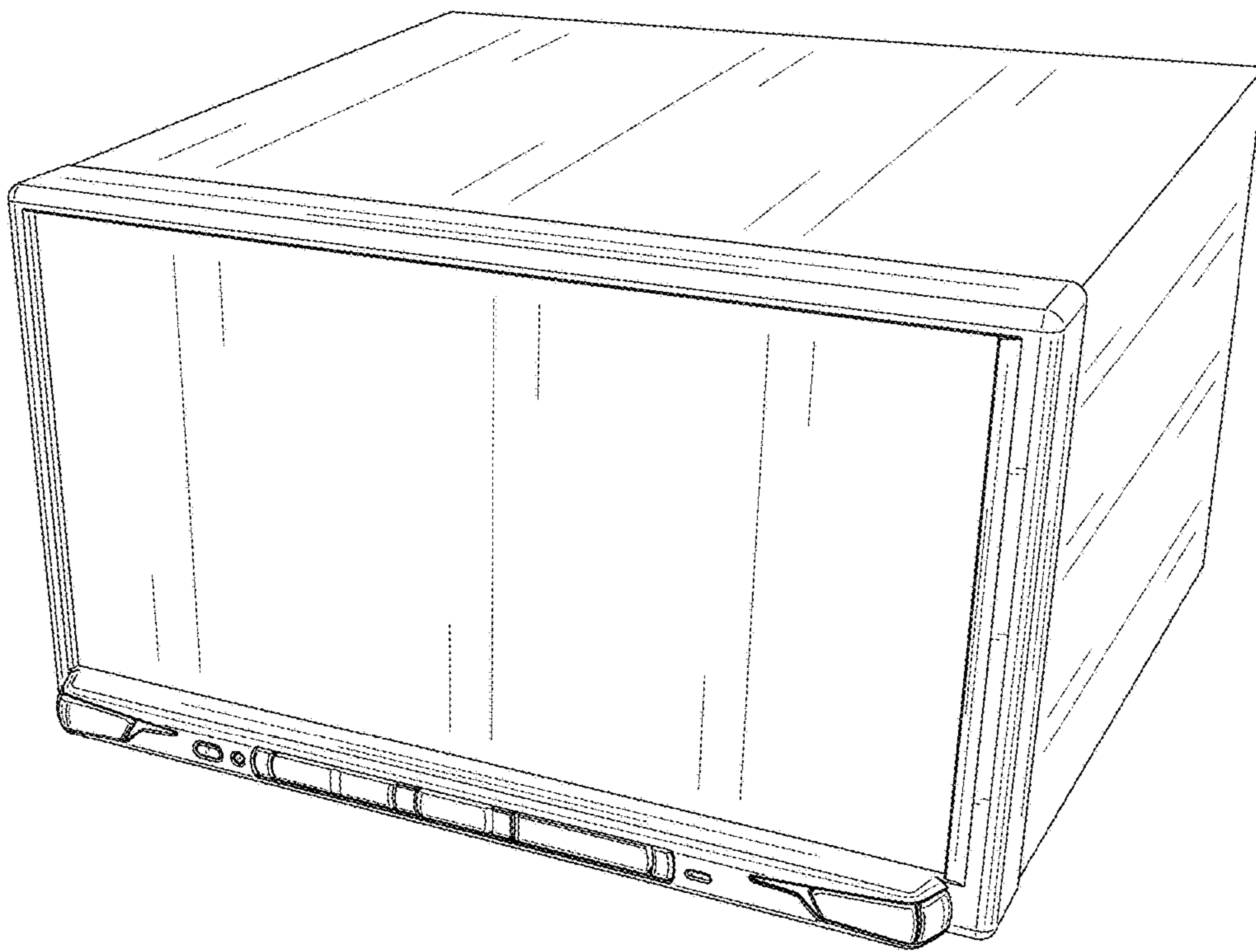


FIG. 7



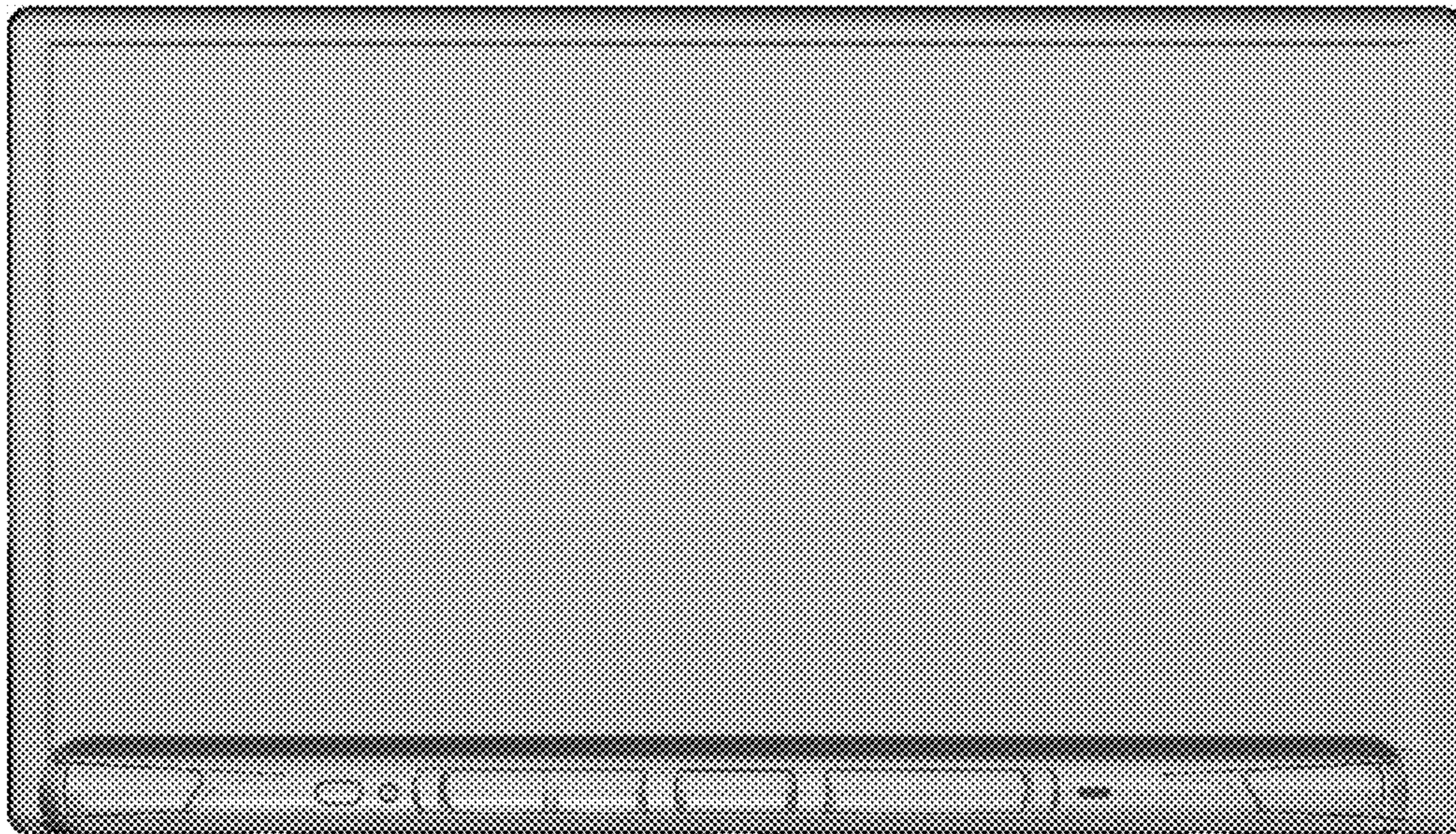


FIG. 8