



US00D801834S

(12) **United States Design Patent**
Briheim et al.

(10) **Patent No.:** **US D801,834 S**
(45) **Date of Patent:** **** Nov. 7, 2017**

(54) **GLOBAL NAVIGATION SATELLITE SYSTEM (GNSS) RECEIVER HOUSING**

(71) Applicant: **Trimble Inc.**, Sunnyvale, CA (US)

(72) Inventors: **Niklas Briheim**, Stockholm (SE); **Karl Forsberg**, Segeltorp (SE); **Jeffrey Andrew Fisher**, Mountain View, CA (US)

(73) Assignee: **Trimble Inc.**, Sunnyvale, CA (US)

(**) Term: **14 Years**

(21) Appl. No.: **29/521,100**

(22) Filed: **Mar. 19, 2015**

(51) **LOC (10) Cl.** **10-04**

(52) **U.S. Cl.**
USPC **D10/65**

(58) **Field of Classification Search**
USPC D10/65, 70
CPC G01C 15/06; G01C 21/16; G01C 21/3688;
G01C 21/30; G08G 1/096883; G08G
1/096872; G08G 1/096775
See application file for complete search history.

(56) **References Cited**

U.S. PATENT DOCUMENTS

D697,438 S *	1/2014	Rector, III	D10/65
D717,674 S *	11/2014	Vu	D10/65
D752,998 S *	4/2016	Robinson	D10/65
D772,737 S *	11/2016	Robinson	D10/65
9,513,120 B2 *	12/2016	Briggs	G01C 15/06

OTHER PUBLICATIONS

Trimble GNSS R8 Bottom images, Google Search, located at <https://www.google.com/search?tbm=isch&tbs=rimg%3ACeeyRq2l-qZBIjhQpNOUPuvABURYwQ7zDoSvKaf5_149QuKht1e62u8lh747BmuPjOzGJu_1K4HamK15Z-S0DXeitkOioSCVck05Q-68AFEcl7IG1enZU9KhJRFjBDvMOhK8RnqgtdlPauCMqEgkpp_>

In_lj1C4qBFVYE_1w7GwwiSoSCW3V7ra7yWHvEbryo6_1JirN2KhlJjsGa4-M7MYkR3vpLsYs5E-QqEgm78rgdqYrXlhGuNAD8FEIJ9SoSCX5LQNd6K2Q6ER02UWhHz-7t&q=trimble%20GNSS&ei=iLXrVJnQFYurogS_vYHQDg&ved=0CAkQ9C8wAA#tbm=isch&q=trimble+GNSS+R8+bottom&imgdii=_>, last visited on Jun. 22, 2015, 4 pages. Trimble GNSS images, Google Search, located at <[* cited by examiner](https://www.google.com/search?q=trimble-radome&rls=com.microsoft:en-us&source=lnms&tbm=isch&sa=X&ei=arXrVPDSHYuzogSyz4DQBQ&ved=0CAkQ_AUoAg&biw=1267&bih=561#tbm=isch&q=trimble+GNSS&imgrc=57JGrYj6pkGOpM%253A%3B7_MvKwLxIS_iBM%3Bhttp%253A%252F%252Fwww.trimble.com%252F~%252Fmedia%252FImages%252FSurvey%252Fgnss%252FTrimbleR8%252FTrimbleR8_288x288.ashx%3Bhttp%253A%252F%252Fwww.trimble.com%252FSurvey%252Ftrimbler8gnss.aspx%3B288%3B288>,” last visited on Jun. 22, 2015, 4 pages.</p></div>
<div data-bbox=)

Primary Examiner — George D Kirschbaum
(74) *Attorney, Agent, or Firm* — Kilpatrick Townsend and Stockton

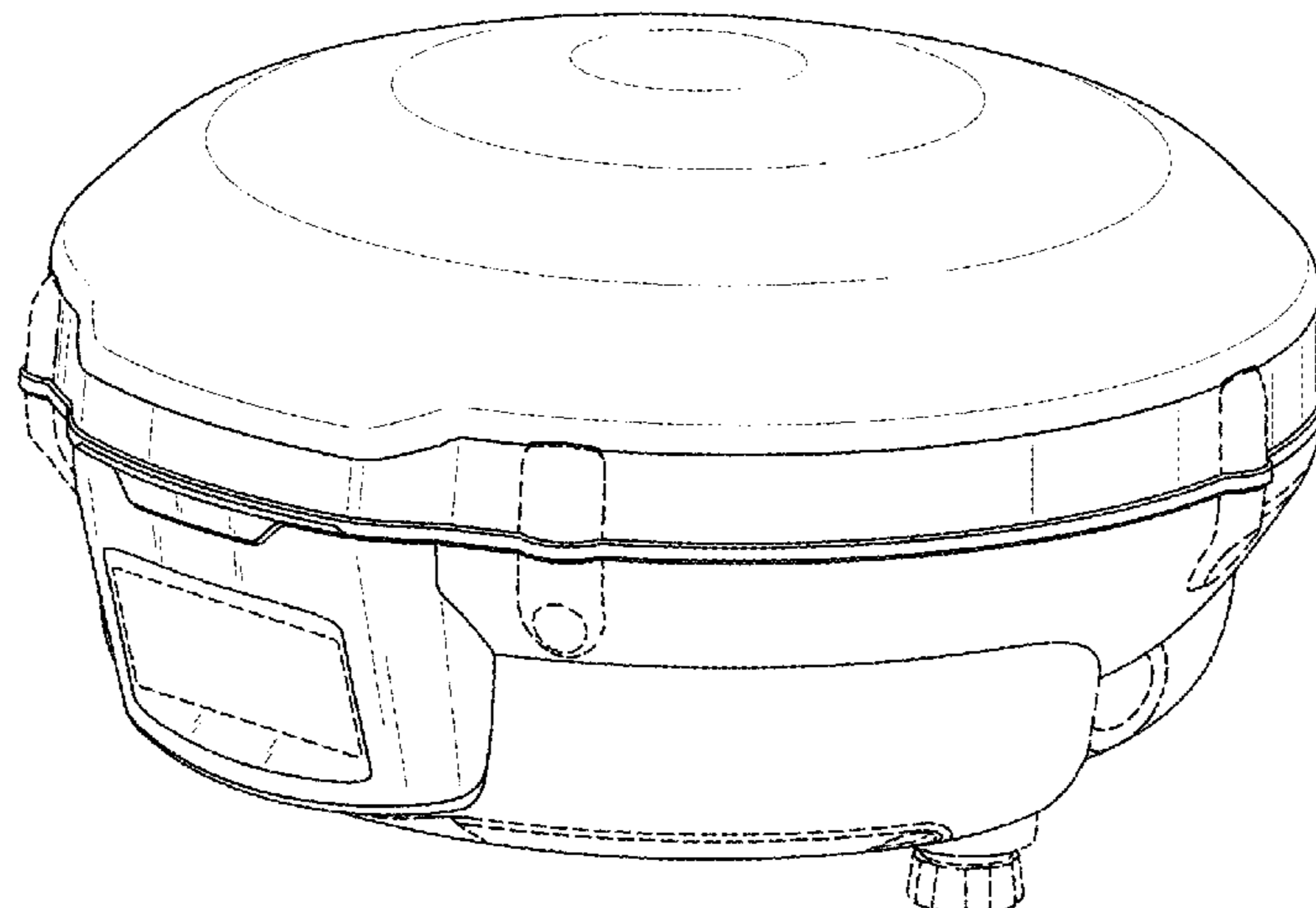
(57) **CLAIM**

The ornamental design for a global navigation satellite system (GNSS) receiver housing, as shown and described.

DESCRIPTION

FIG. 1 is a perspective view of a global navigation satellite system (GNSS) receiver housing showing the new design; FIG. 2 is a top plan view thereof; FIG. 3 is a bottom plan view thereof; FIG. 4 is a front elevational view thereof; FIG. 5 is a rear elevational view thereof; FIG. 6 is a left side elevational view thereof; and, FIG. 7 is a right side elevational view thereof. The broken line showing is included for the purpose of illustrating portions of the “article” and forms no part of the claimed design.

1 Claim, 5 Drawing Sheets



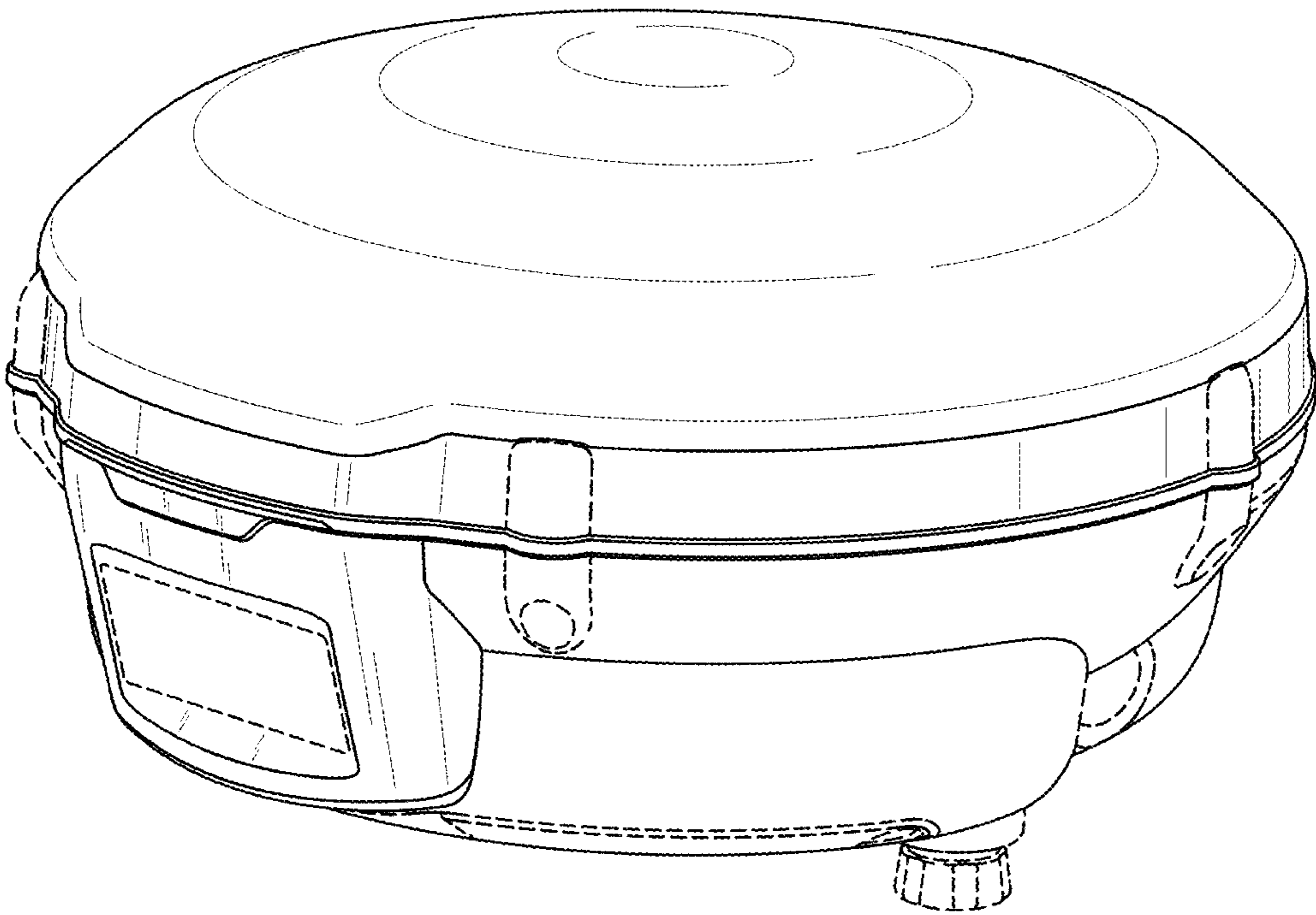


FIG. 1

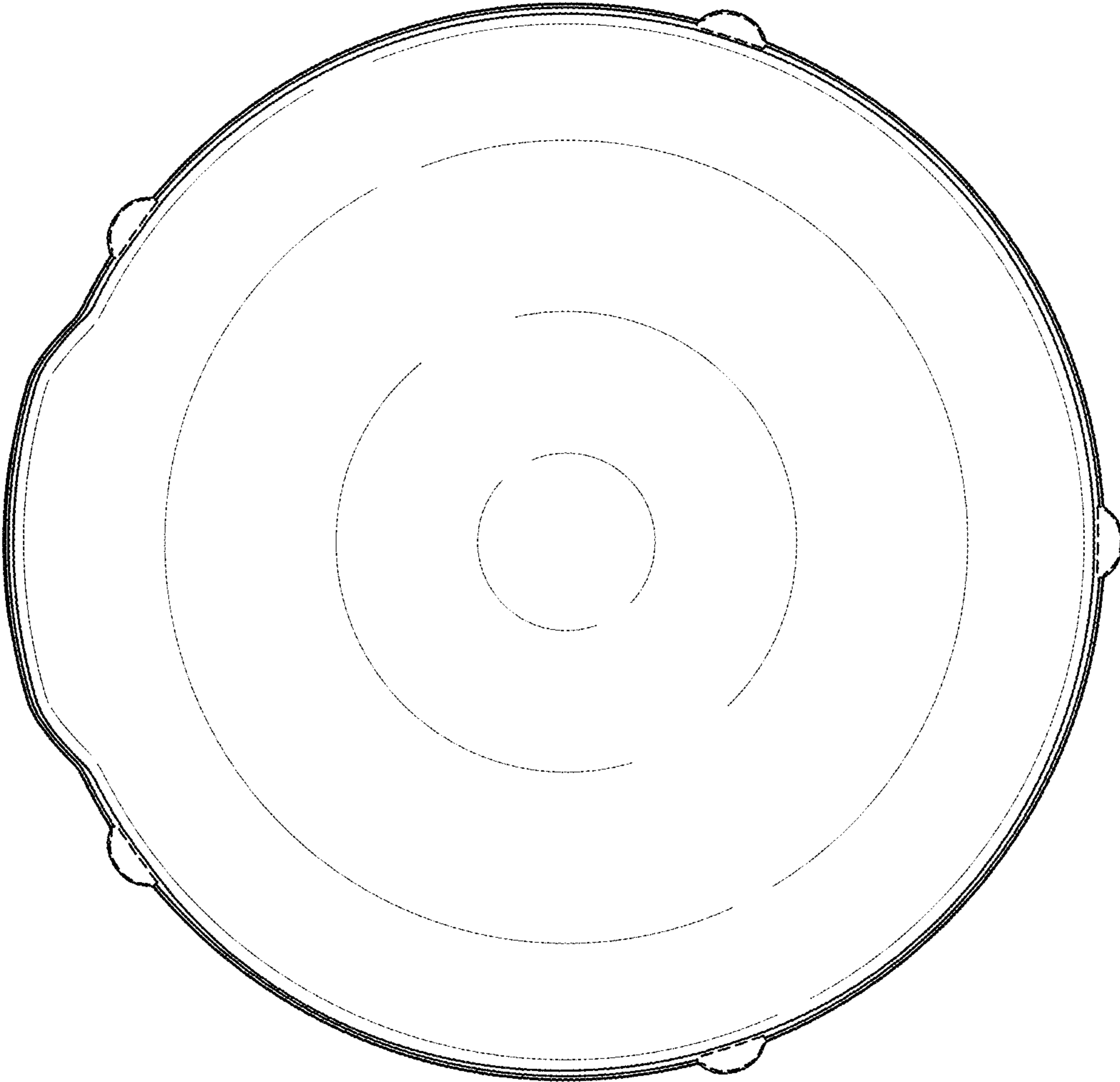


FIG. 2

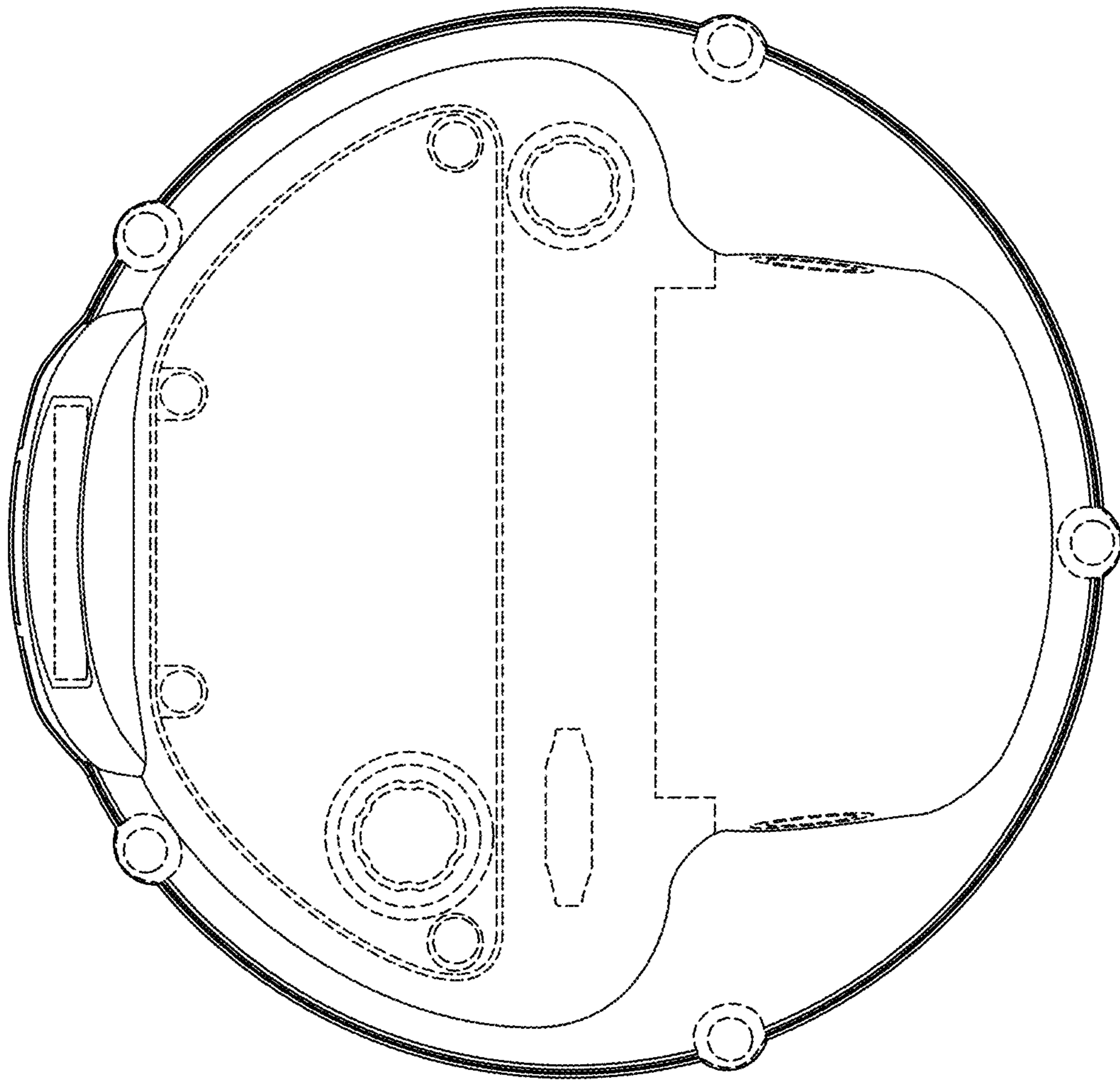


FIG. 3

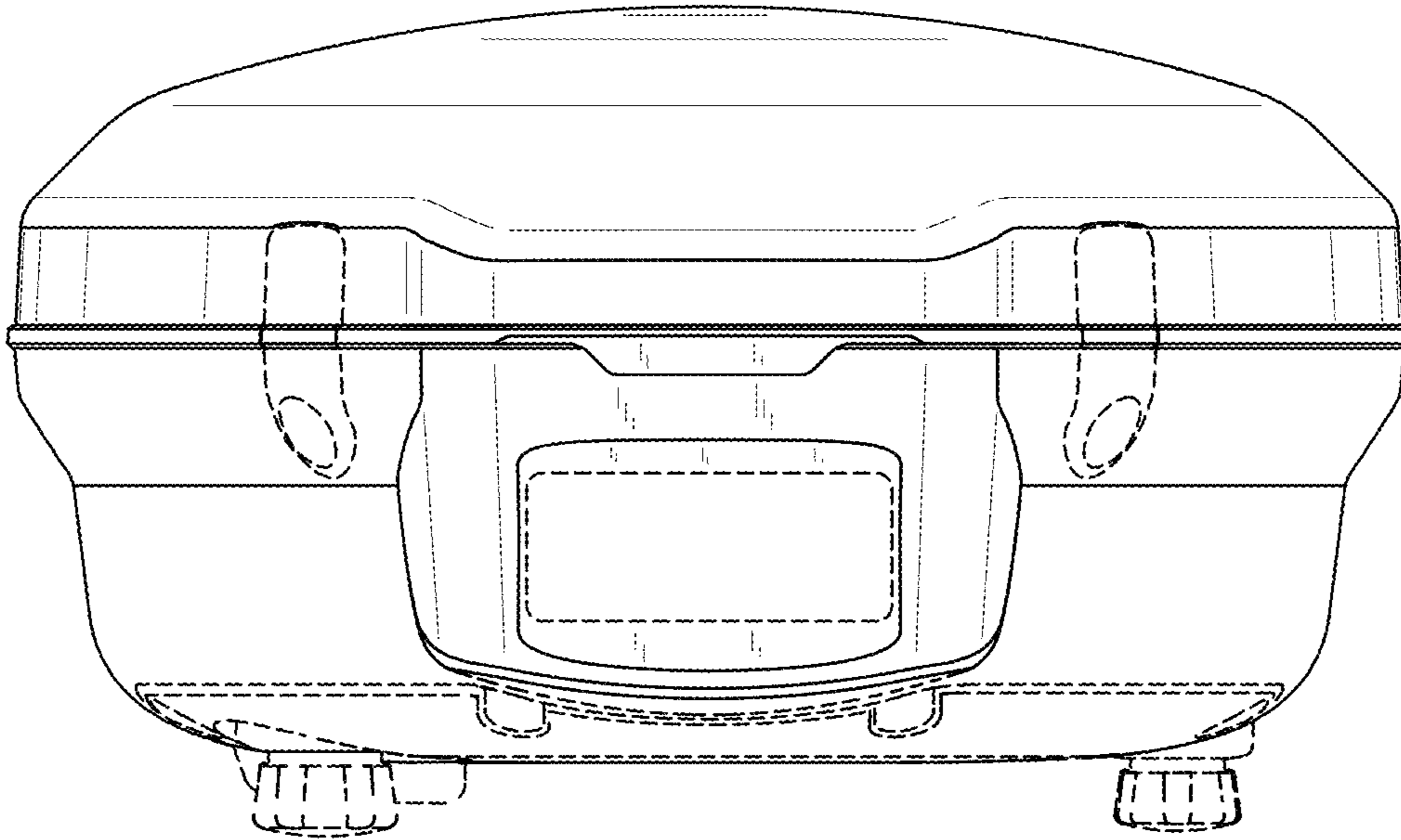


FIG. 4

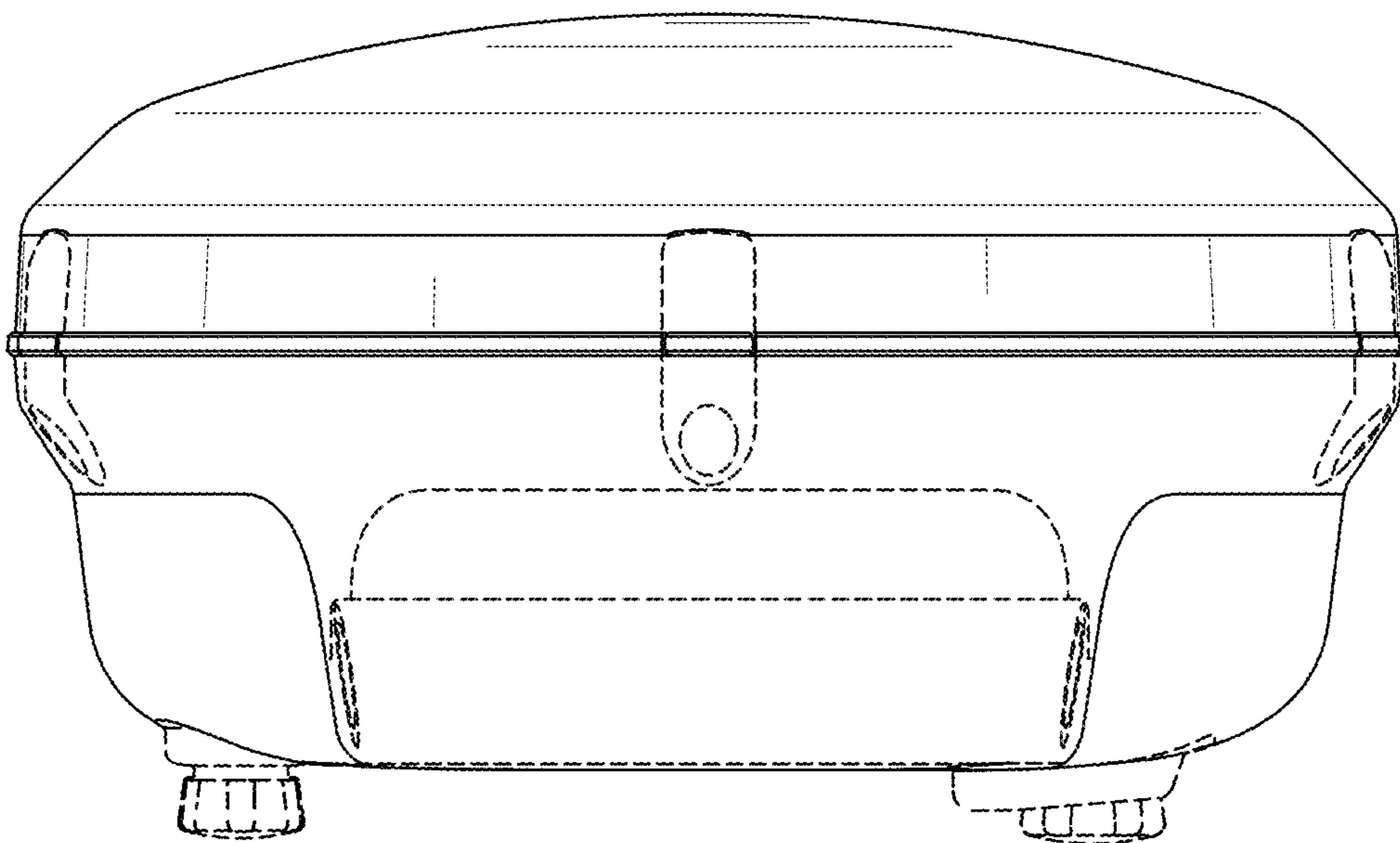


FIG. 5

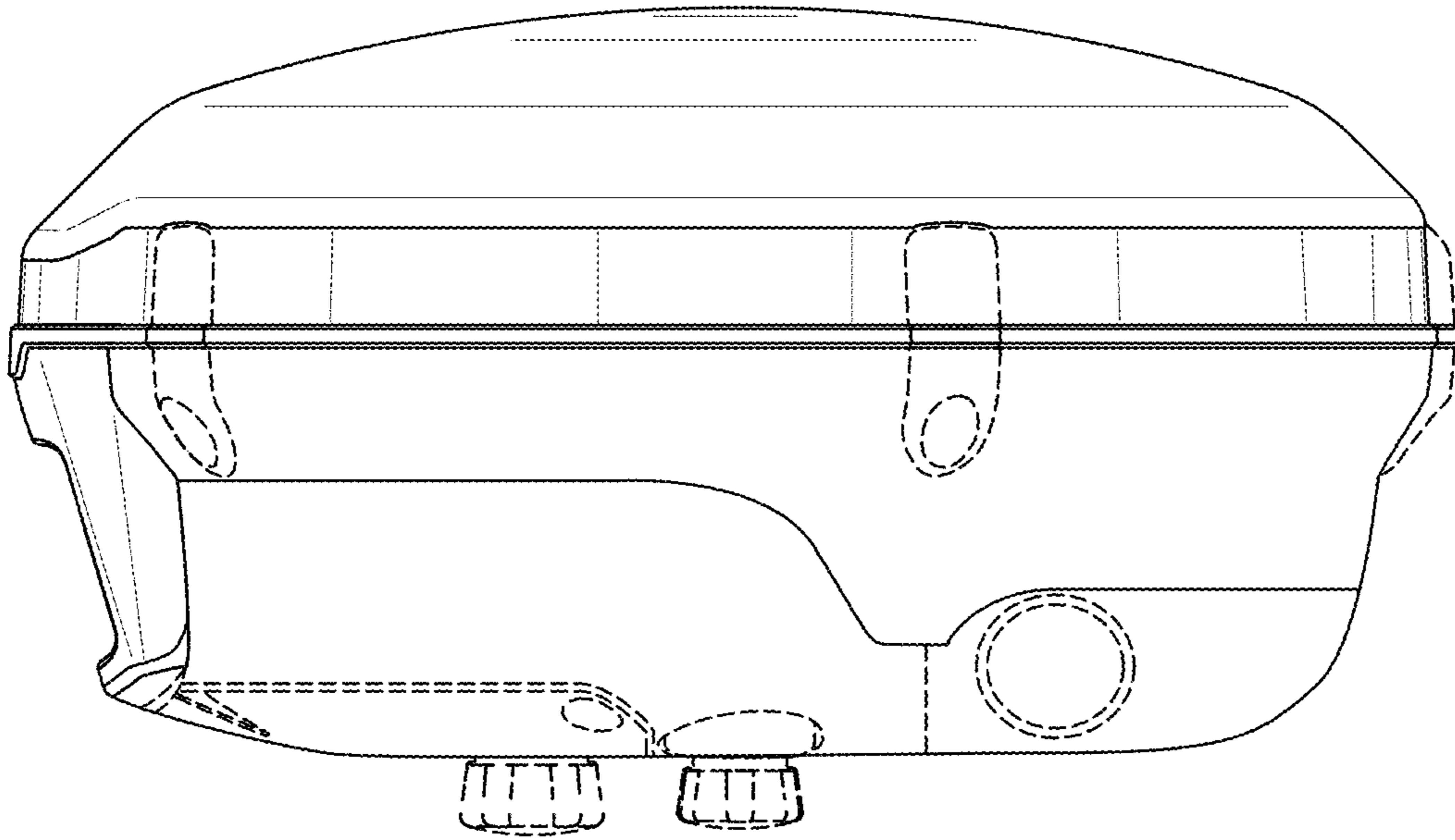


FIG. 6

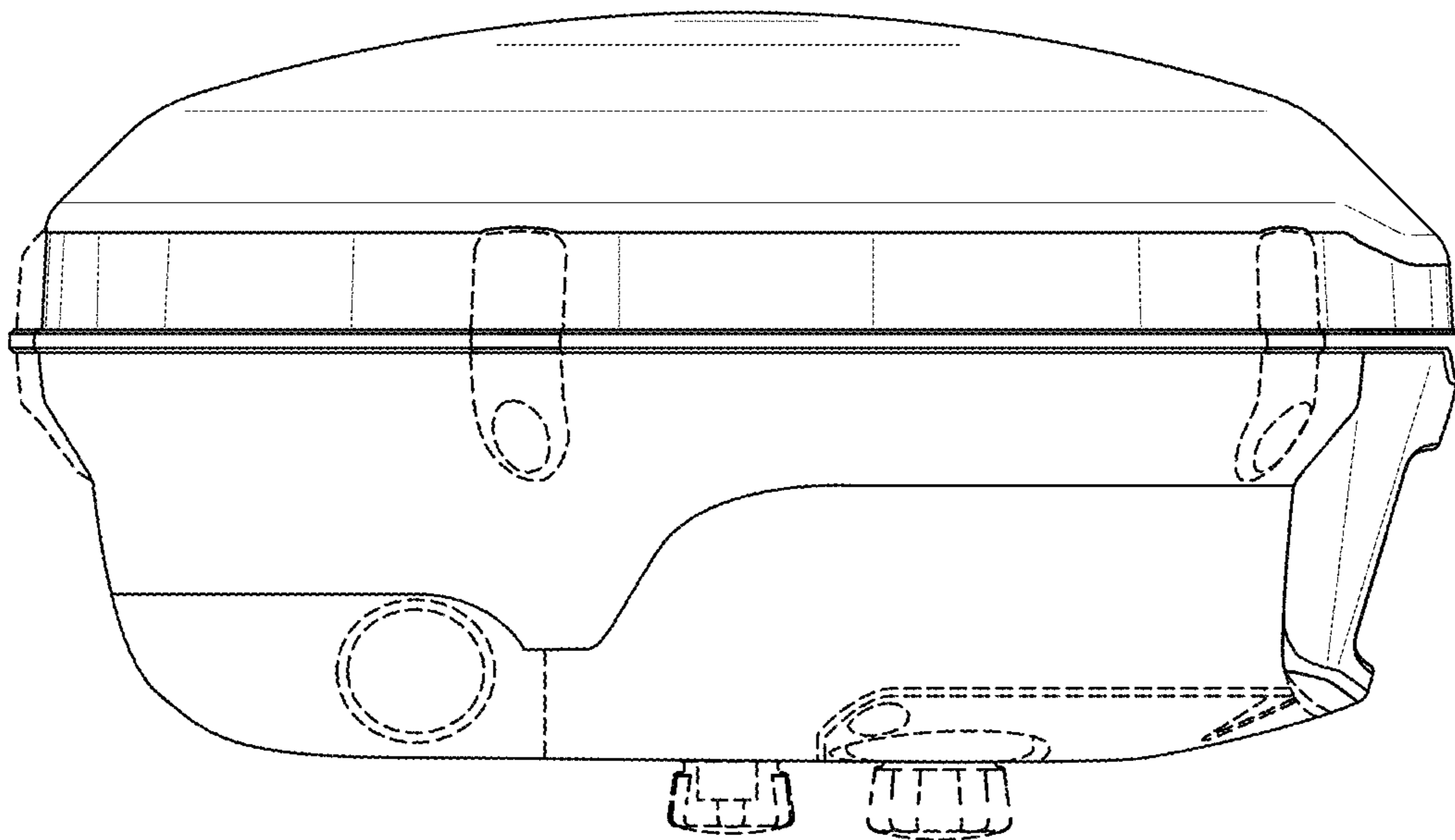


FIG. 7