



US00D801832S

(12) **United States Design Patent**  
**White et al.**

(10) **Patent No.:** **US D801,832 S**

(45) **Date of Patent:** **\*\* Nov. 7, 2017**

(54) **WATCH**

(71) Applicant: **Nixon, Inc.**, Encinitas, CA (US)

(72) Inventors: **Tyson White**, Encinitas, CA (US); **Joe Babcock**, Encinitas, CA (US); **Jenny Sehic**, Encinitas, CA (US)

(73) Assignee: **NIXON, INC.**, Encinitas, CA (US)

(\*\*) Term: **15 Years**

(21) Appl. No.: **29/545,275**

(22) Filed: **Nov. 11, 2015**

(51) **LOC (10) Cl.** ..... **10-02**

(52) **U.S. Cl.**  
USPC ..... **D10/30**

(58) **Field of Classification Search**  
USPC ..... D10/30-39, 65, 70, 78, 97, 98; D11/3;  
D14/344; D24/167-168, 186  
CPC ..... G04B 19/00-19/34; G04B 23/12; G04B  
37/00-37/228; G04B 47/00-47/068;  
G01C 17/00; G01C 21/00-21/3697;  
G01C 22/00-22/025; G06F 19/3481  
See application file for complete search history.

(56) **References Cited**

**U.S. PATENT DOCUMENTS**

D4,649 S \* 2/1871 Gale ..... D10/124  
D236,811 S \* 9/1975 Meylan ..... D10/30  
D514,974 S \* 2/2006 Andreatta ..... D10/126  
D568,769 S \* 5/2008 Emch Ducommun ..... D10/32  
D577,303 S \* 9/2008 Lalo ..... D10/122  
D594,765 S \* 6/2009 Rieseler ..... D10/39

D611,843 S \* 3/2010 Jorst ..... D10/39  
D667,320 S \* 9/2012 Conwell ..... D10/39  
D695,637 S \* 12/2013 Jacquerye ..... D10/39  
D705,671 S \* 5/2014 Mijatovic ..... D10/32  
D710,730 S \* 8/2014 Delhotal ..... D10/124  
D743,827 S \* 11/2015 Prince ..... D10/122  
D747,233 S \* 1/2016 Cerrato ..... D10/127  
D749,431 S \* 2/2016 Babcock ..... D10/30  
D759,510 S \* 6/2016 Belamich ..... D10/126  
D770,319 S \* 11/2016 Gueit ..... D10/126  
D787,954 S \* 5/2017 Morimoto ..... D10/30  
D789,808 S \* 6/2017 Kimura ..... D10/30

\* cited by examiner

*Primary Examiner* — Sandra Snapp

*Assistant Examiner* — Katherine Glennon

(74) *Attorney, Agent, or Firm* — NorthStar Law Group;  
Thomas J. Bassolino

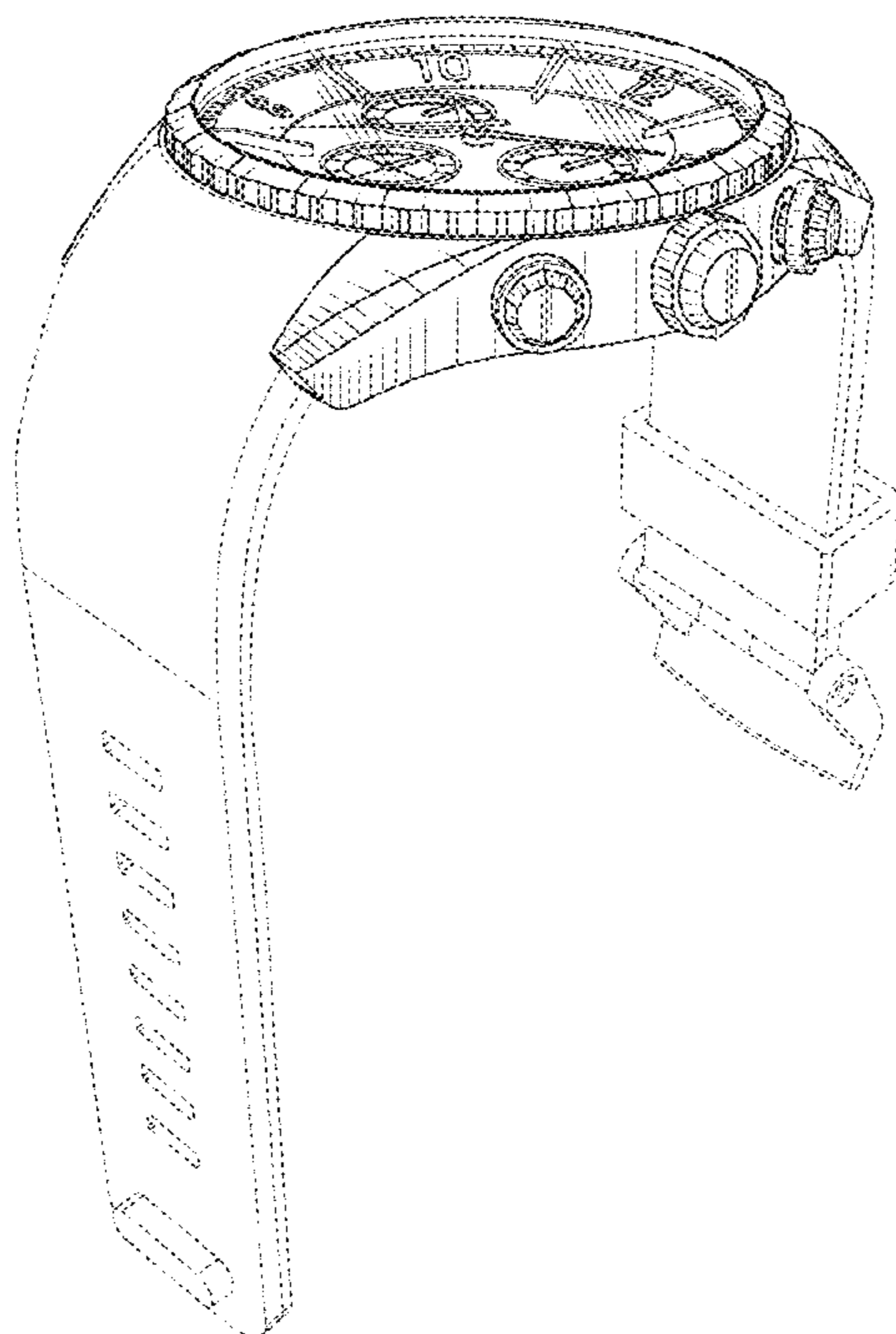
(57) **CLAIM**

The ornamental design for a watch, as shown and described.

**DESCRIPTION**

FIG. 1 is a front right perspective view of a watch showing our new design;  
FIG. 2 is a front elevated view thereof;  
FIG. 3 is a back elevated view thereof;  
FIG. 4 is a left side view thereof;  
FIG. 5 is a right side view thereof;  
FIG. 6 is a top view thereof; and,  
FIG. 7 is a bottom view thereof.  
The evenly-spaced broken lines showing the watch strap and clasp are for environmental purposes only and form no part of the claimed design.

**1 Claim, 6 Drawing Sheets**



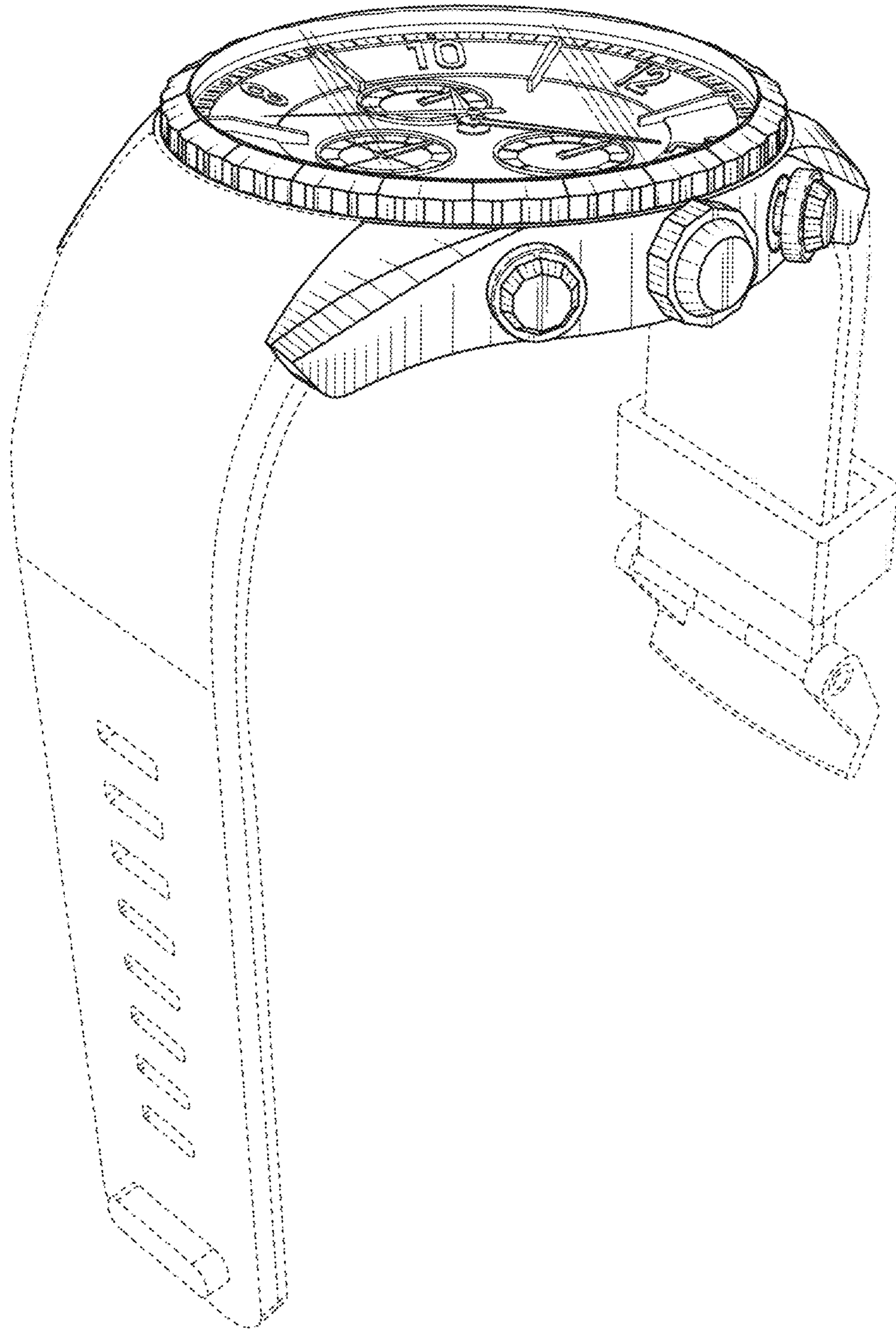


FIG. 1

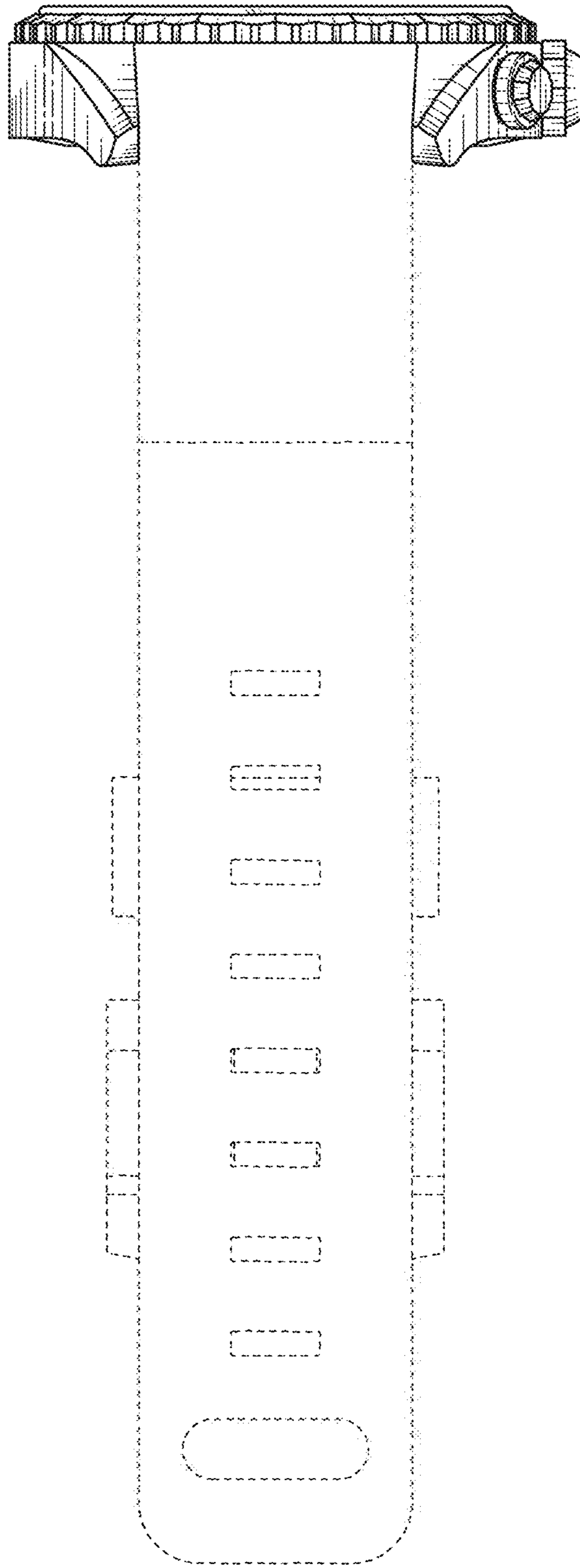


FIG. 2

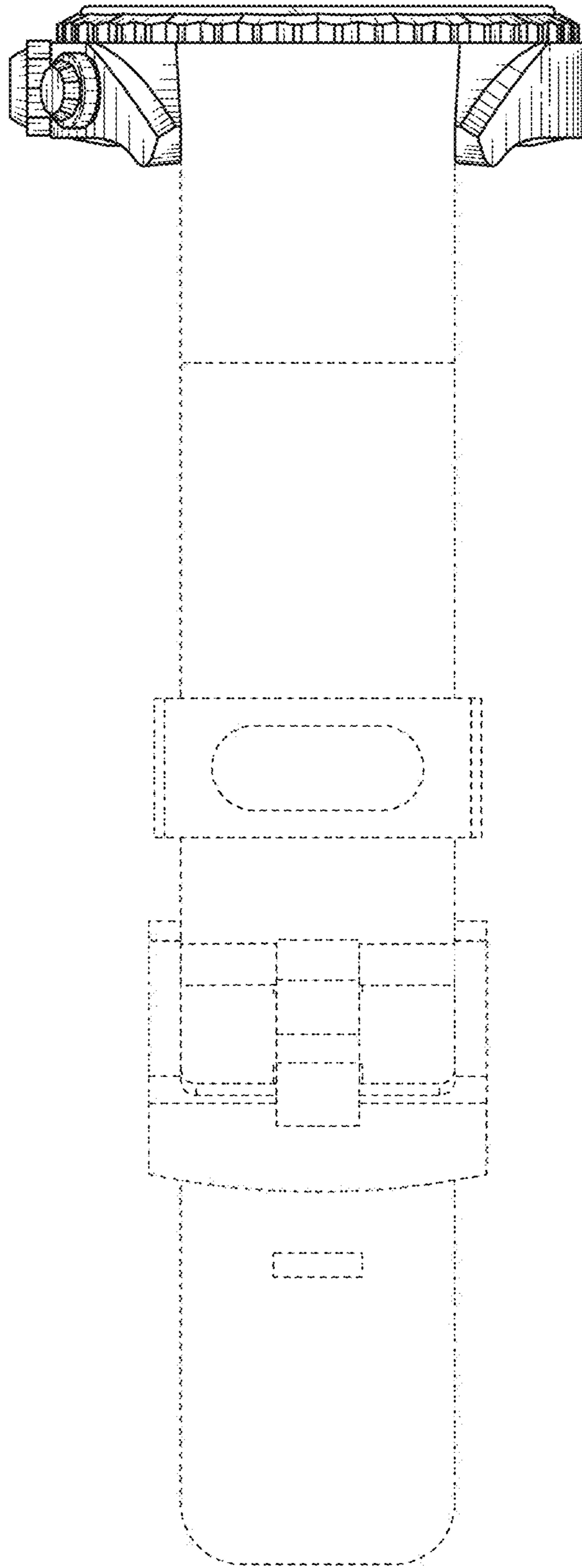


FIG. 3

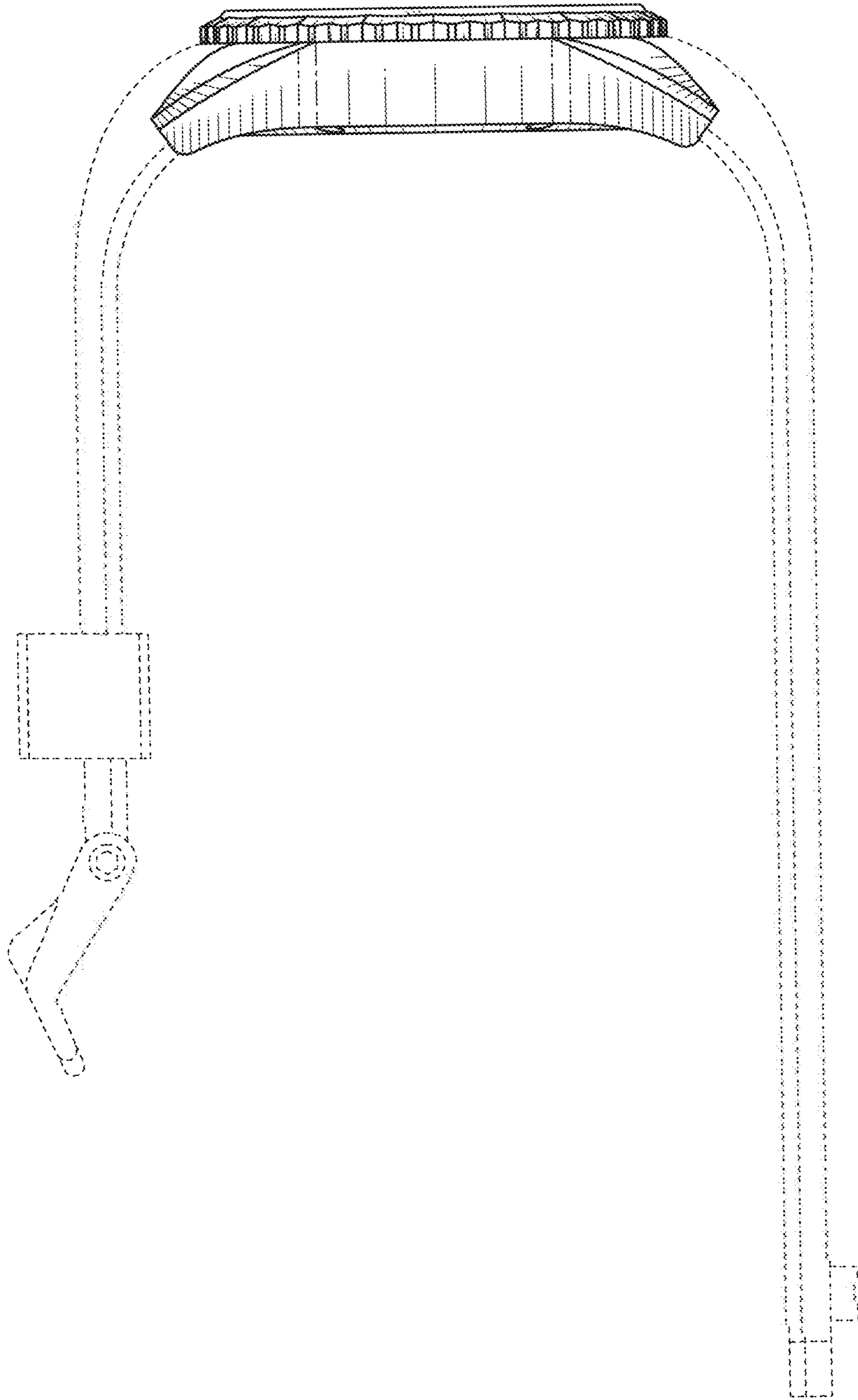


FIG. 4

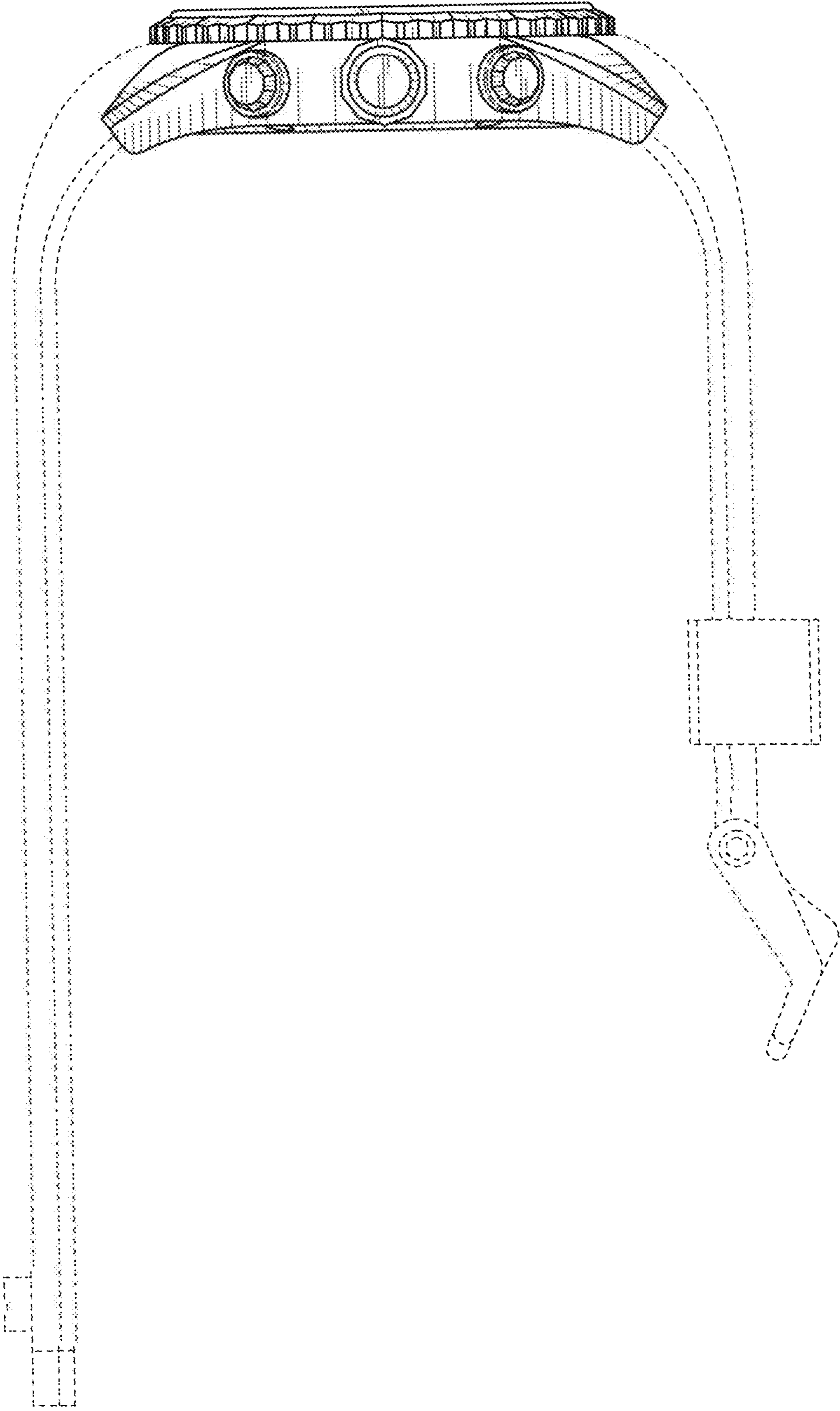


FIG. 5

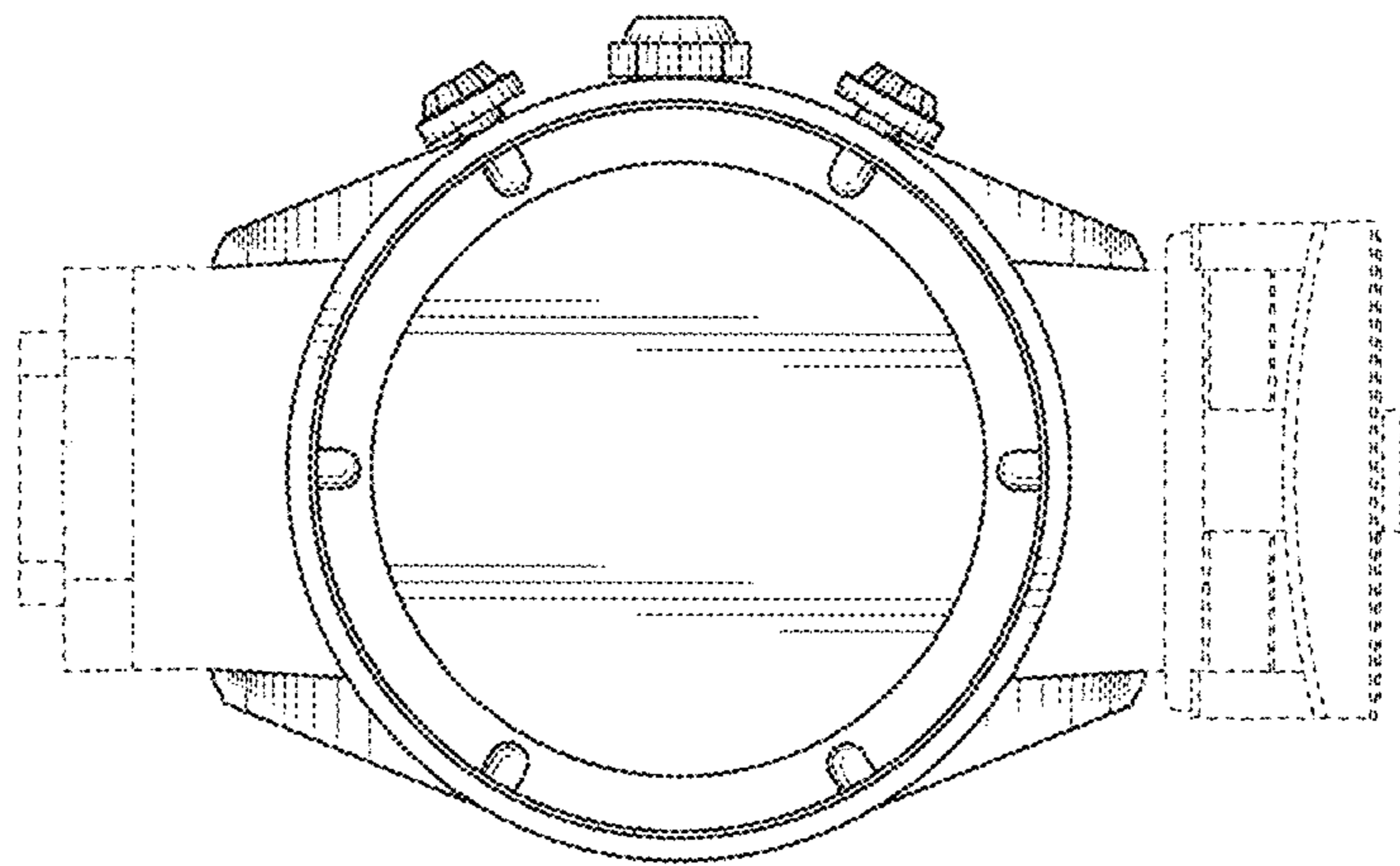


FIG. 7

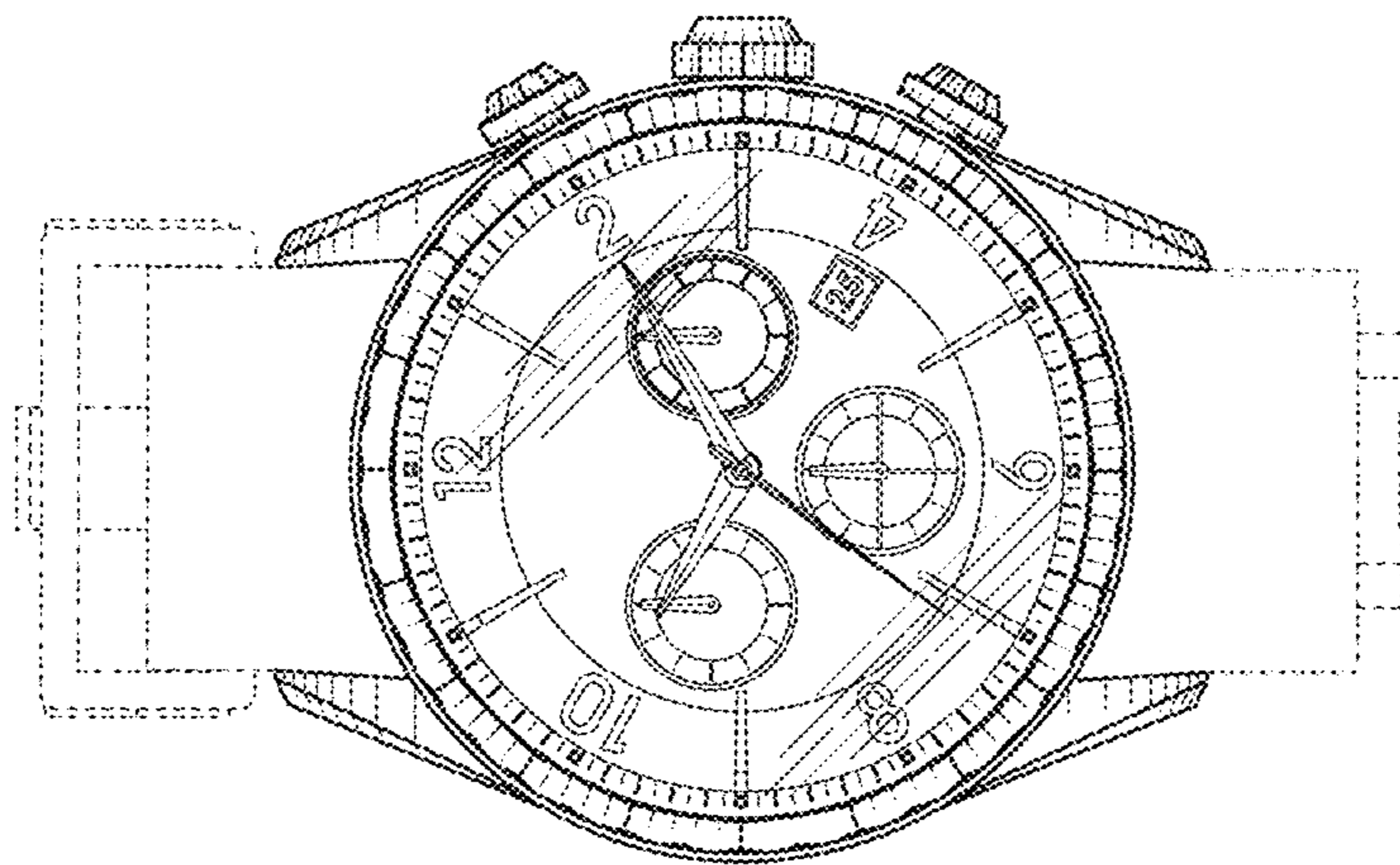


FIG. 6