



US00D801829S

(12) **United States Design Patent** (10) **Patent No.:** **US D801,829 S**
Bray (45) **Date of Patent:** **** Nov. 7, 2017**

- (54) **MULTI-COMPARTMENT RESEALABLE STORAGE BAG**
- (71) Applicant: **Mabelle Bray**, Woodland Hills, CA (US)
- (72) Inventor: **Mabelle Bray**, Woodland Hills, CA (US)
- (**) Term: **15 Years**
- (21) Appl. No.: **29/572,627**
- (22) Filed: **Jul. 28, 2016**

Related U.S. Application Data

- (63) Continuation of application No. 15/097,243, filed on Apr. 12, 2016.
- (51) **LOC (10) Cl.** **09-05**
- (52) **U.S. Cl.**
USPC **D9/709**
- (58) **Field of Classification Search**
USPC D9/702-714, 414-415, 417-418, 737, D9/424, 430-433, 730-732, 756, 761;
(Continued)

(56) **References Cited**

U.S. PATENT DOCUMENTS

2,276,765 A	3/1942	De Gree
3,503,759 A	3/1970	Wilton

(Continued)

FOREIGN PATENT DOCUMENTS

JP	3041585 U	9/1997
KR	2010007262	7/2010
KR	200309756 Y1	4/2013

OTHER PUBLICATIONS

Extended European Search report from 14784891.5-1708 / 2986523 dated Aug. 16, 2016.

Primary Examiner — Abraham Bahta

(74) *Attorney, Agent, or Firm* — Lawrence N. Ginsberg

(57) **CLAIM**

The ornamental design for a multi-compartment resealable storage bag, as shown and described.

DESCRIPTION

FIG. 1 is a top, front perspective view of a first embodiment of the multi-compartment resealable storage bag, showing my new design;
 FIG. 2 is a rear elevational view thereof;
 FIG. 3 is a top plan view thereof;
 FIG. 4 is a bottom plan view thereof;
 FIG. 5 is a left side elevational view thereof;
 FIG. 6 is a right side elevational view thereof;
 FIG. 7 is a top, front perspective view of a second embodiment of the multi-compartment resealable storage bag, showing my new design;
 FIG. 8 is a rear elevational view thereof;
 FIG. 9 is a top plan view thereof;
 FIG. 10 is a bottom plan view thereof;
 FIG. 11 is a left side elevational view thereof;
 FIG. 12 is a right side elevational view thereof;
 FIG. 13 is a top, front perspective view of a third embodiment of the multi-compartment resealable storage bag, showing my new design;
 FIG. 14 is a rear elevational view thereof;
 FIG. 15 is a top plan view thereof;
 FIG. 16 is a bottom plan view thereof;
 FIG. 17 is a left side elevational view thereof;
 FIG. 18 is a right side elevational view thereof;
 FIG. 19 is a top, front perspective view of a fourth embodiment of the multi-compartment resealable storage bag, showing my new design;
 FIG. 20 is a rear elevational view thereof;
 FIG. 21 is a top plan view thereof;
 FIG. 22 is a bottom plan view thereof;
 FIG. 23 is a left side elevational view thereof;
 FIG. 24 is a right side elevational view thereof;
 FIG. 25 is a top, front perspective view of a fifth embodiment of the multi-compartment resealable storage bag, showing my new design;

(Continued)

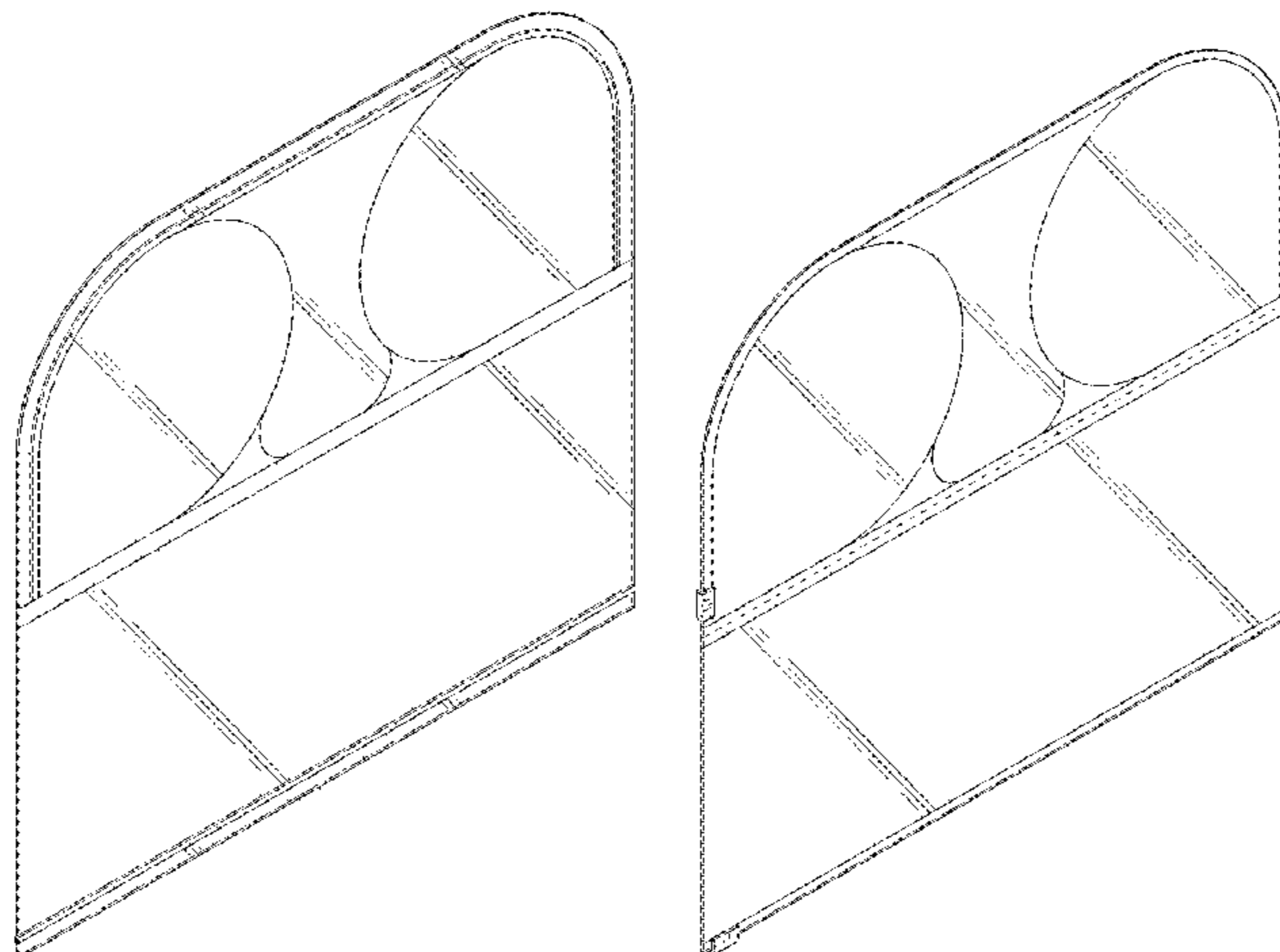


FIG. 26 is a rear elevational view thereof;
 FIG. 27 is a top plan view thereof;
 FIG. 28 is a bottom plan view thereof;
 FIG. 29 is a left side elevational view thereof;
 FIG. 30 is a right side elevational view thereof;
 FIG. 31 is a top, front perspective view of a sixth embodiment of the multi-compartment resealable storage bag, showing my new design;
 FIG. 32 is a rear elevational view thereof;
 FIG. 33 is a top plan view thereof;
 FIG. 34 is a bottom plan view thereof;
 FIG. 35 is a left side elevational view thereof;
 FIG. 36 is a right side elevational view thereof;
 FIG. 37 is a top, front perspective view of a seventh embodiment of the multi-compartment resealable storage bag, showing my new design;
 FIG. 38 is a rear elevational view thereof;
 FIG. 39 is a top plan view thereof;
 FIG. 40 is a bottom plan view thereof;
 FIG. 41 is a left side elevational view thereof;
 FIG. 42 is a right side elevational view thereof;
 FIG. 43 is a top, front perspective view of an eighth embodiment of the multi-compartment resealable storage bag, showing my new design;
 FIG. 44 is a rear elevational view thereof;
 FIG. 45 is a top plan view thereof;
 FIG. 46 is a bottom plan view thereof;
 FIG. 47 is a left side elevational view thereof; and,
 FIG. 48 is a right side elevational view thereof.
 The broken line showings of portions of the multi-compartment resealable storage bag represent perforations and form part of the claimed design.

1 Claim, 16 Drawing Sheets

(58) **Field of Classification Search**
 USPC D7/549, 553.2, 590, 602; D3/201, 203.1,

D3/203.3, 303, 202; 206/527, 4.27, 807,
 206/260, 811, 103, 203, 207; 220/23.4,
 220/500, 666; 229/120.02, 120.011,
 229/87.06; 426/114-115, 119, 120;
 222/92, 107, 215, 206
 CPC B65D 85/00; B65D 75/00; B65D 33/00;
 B65D 33/04; B65D 33/24; B65D 33/16;
 B65D 33/12; B65D 33/008; B65D 25/04
 See application file for complete search history.

(56)

References Cited

U.S. PATENT DOCUMENTS

3,749,237	A	7/1973	Dorton	
4,145,449	A	3/1979	Nelham	
4,312,473	A	1/1982	Hoeller	
4,993,844	A	2/1991	Robinson et al.	
5,024,536	A	6/1991	Hill	
5,674,010	A	10/1997	Dussich	
6,071,010	A	6/2000	Chan	
6,234,675	B1	5/2001	Saad et al.	
D450,443	S	11/2001	Dorizas	
6,624,130	B2	9/2003	Giblin et al.	
D483,256	S	12/2003	Thurston	
7,140,491	B2	11/2006	Wang et al.	
D563,241	S	3/2008	Nimey	
D573,038	S	7/2008	Picken	
D588,013	S	3/2009	Tanaka	
D601,038	S	9/2009	Middleton-Schluter	
D613,615	S	4/2010	Hedstrom	
D617,654	S	6/2010	Tawinsook	
D642,069	S	7/2011	LaFauci et al.	
D691,492	S *	10/2013	Rathbone	D9/711
D727,750	S *	4/2015	Murphy	D9/759
2002/0067865	A1	6/2002	Stutzman	
2004/0066982	A1	4/2004	Urman et al.	
2004/0247208	A1	12/2004	Krohne	
2006/0008183	A1	1/2006	Johansen	
2007/0026251	A1	2/2007	Umana	
2008/0107781	A1	5/2008	Carroll	
2010/0252562	A1	10/2010	Andochick	

* cited by examiner

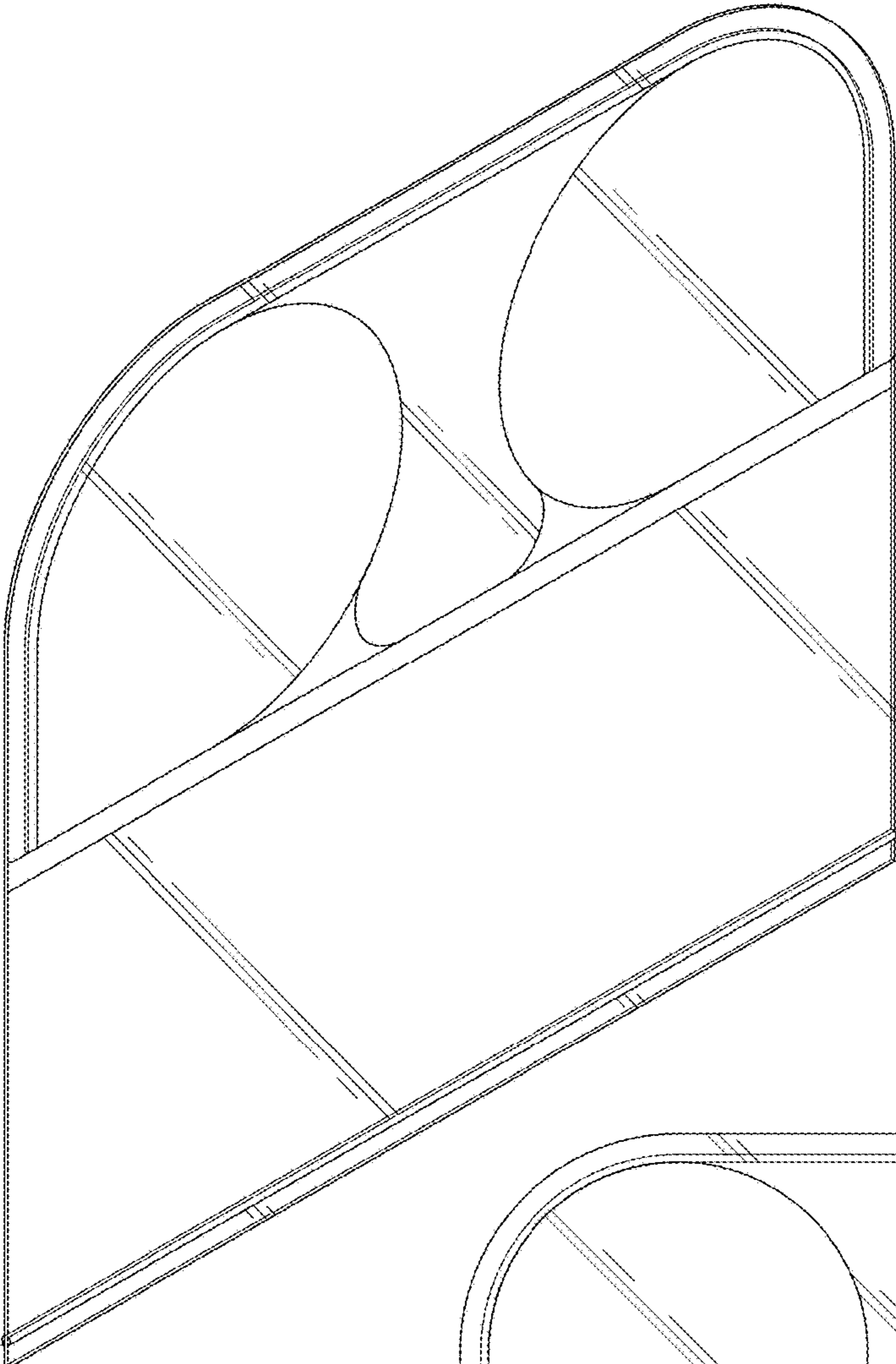


FIG. 1

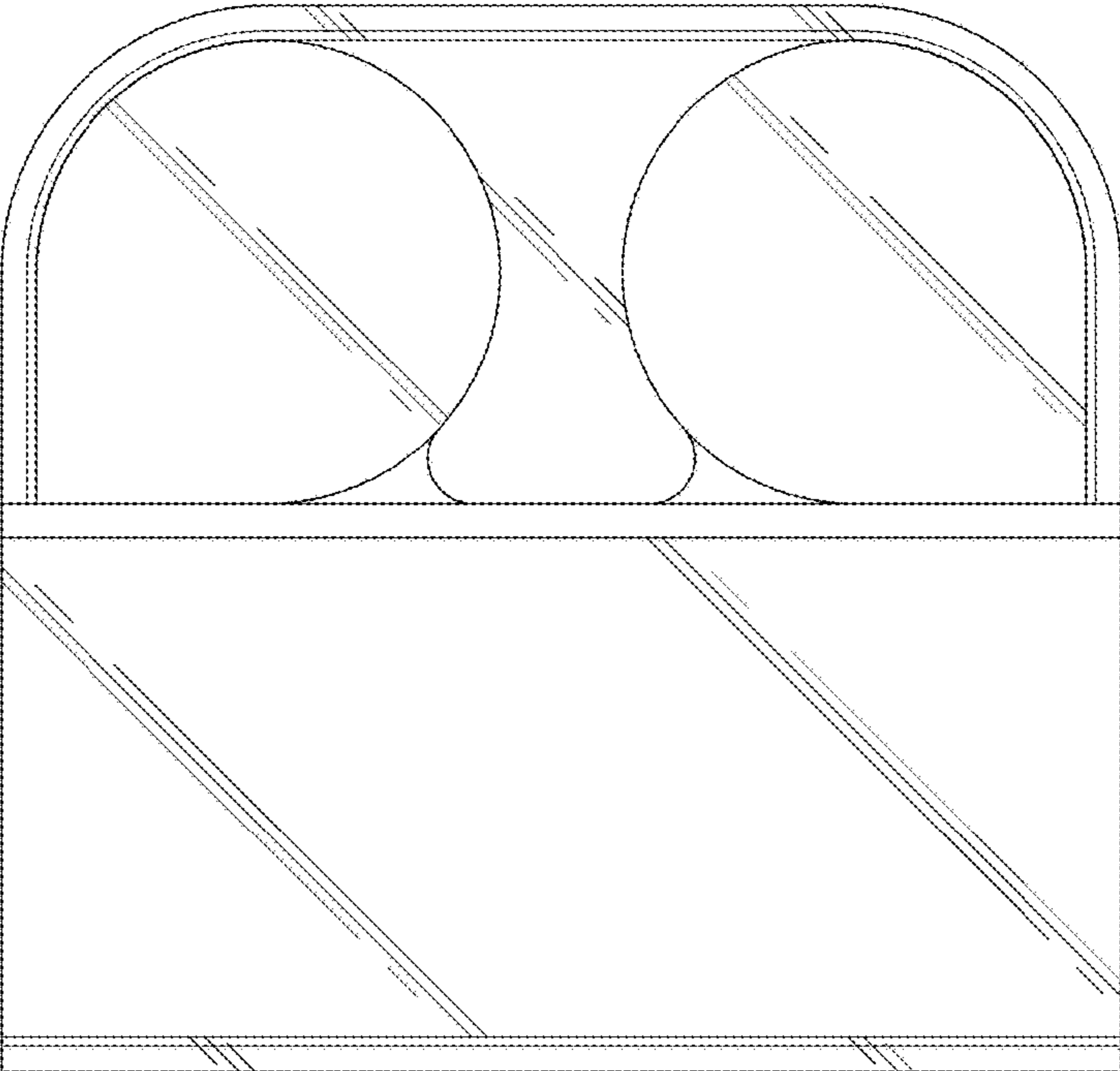


FIG. 2

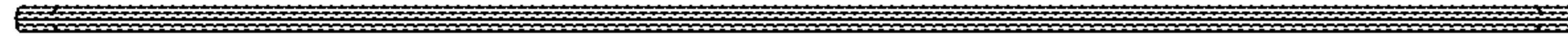


FIG. 3

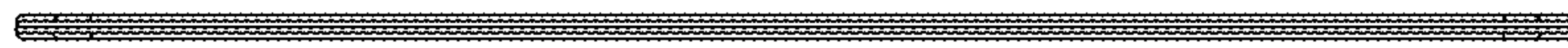


FIG. 4



FIG. 5



FIG. 6

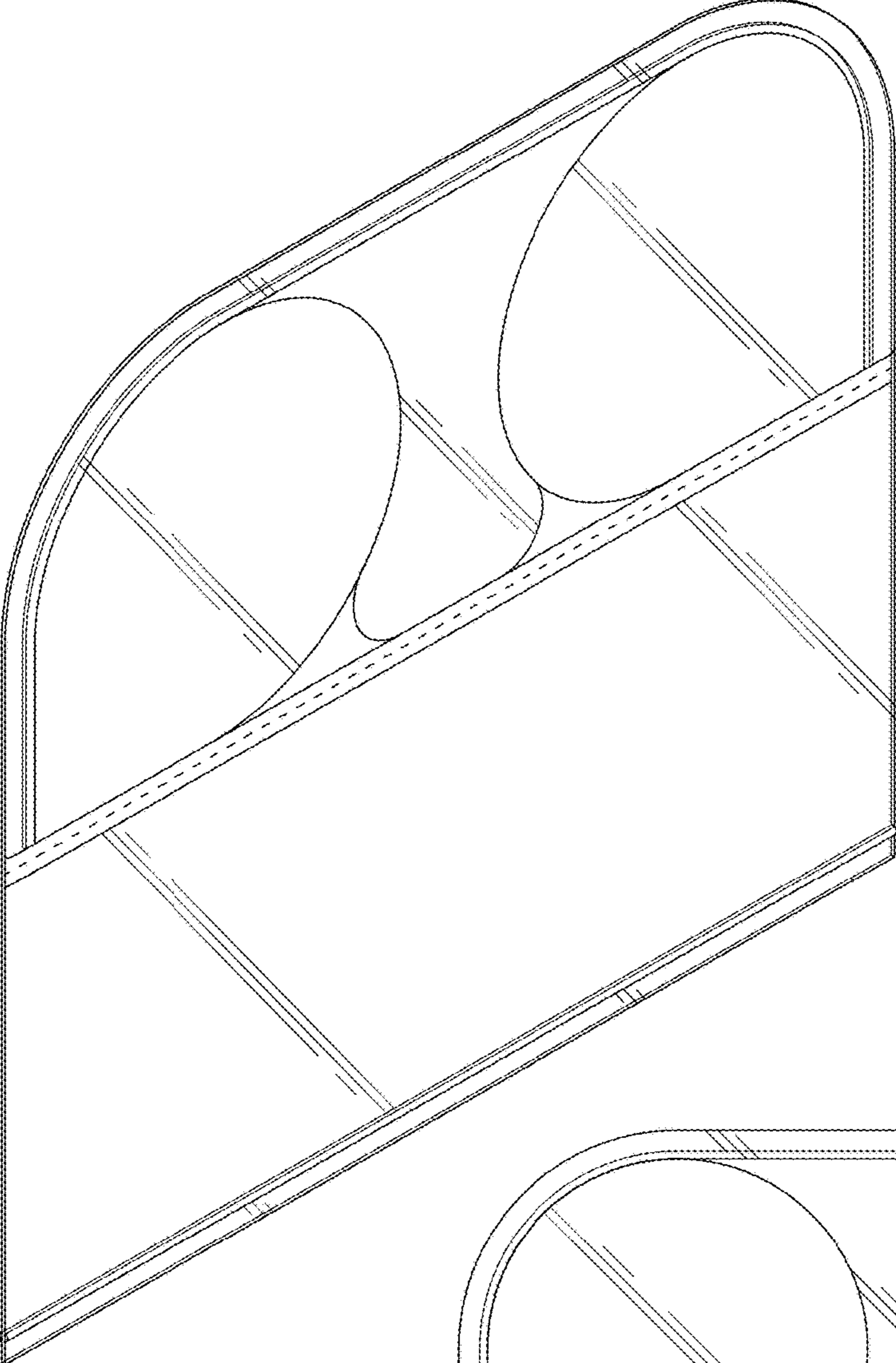


FIG. 7

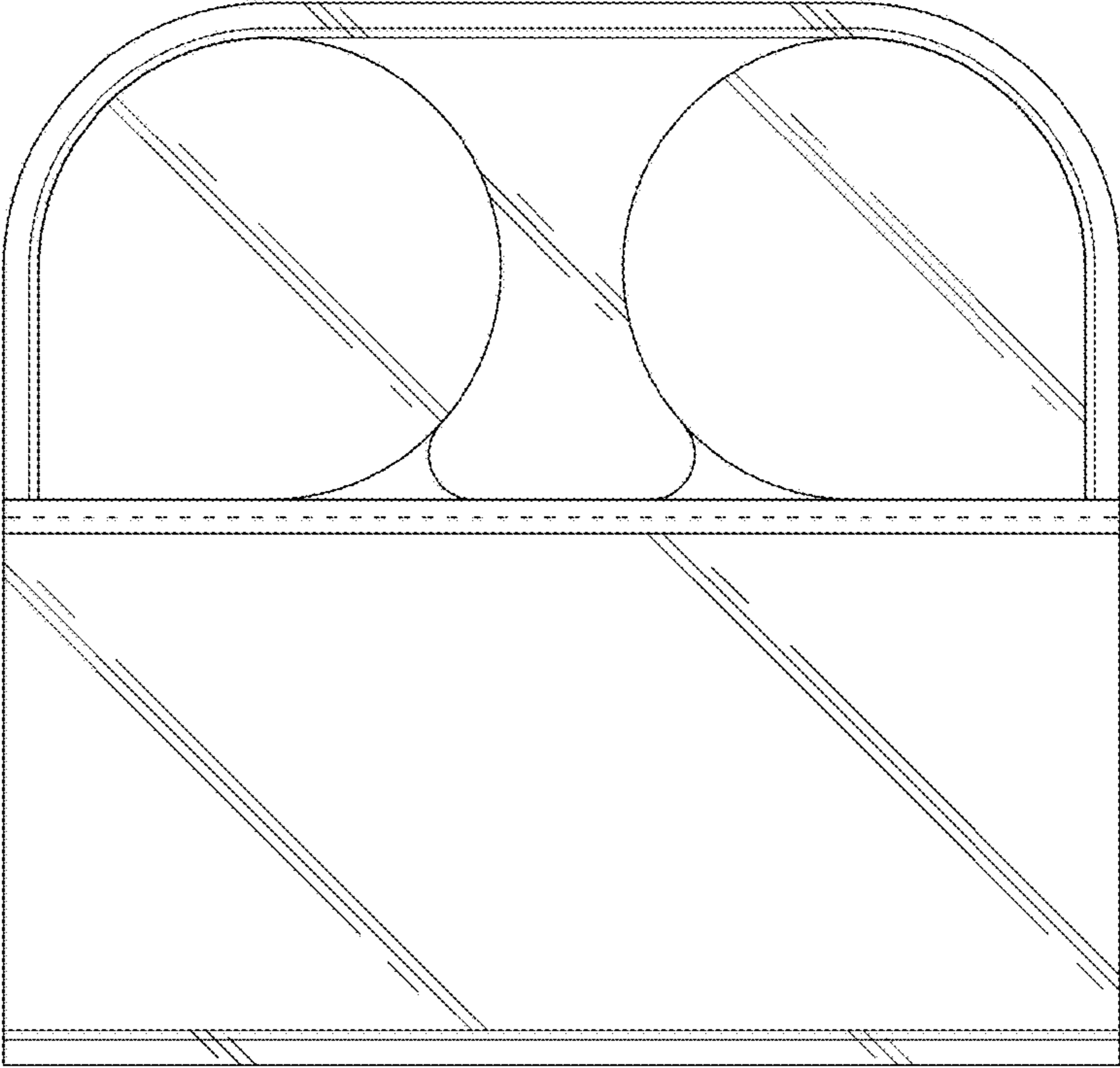


FIG. 8

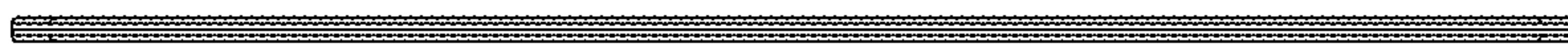


FIG. 9



FIG. 10



FIG. 11



FIG. 12

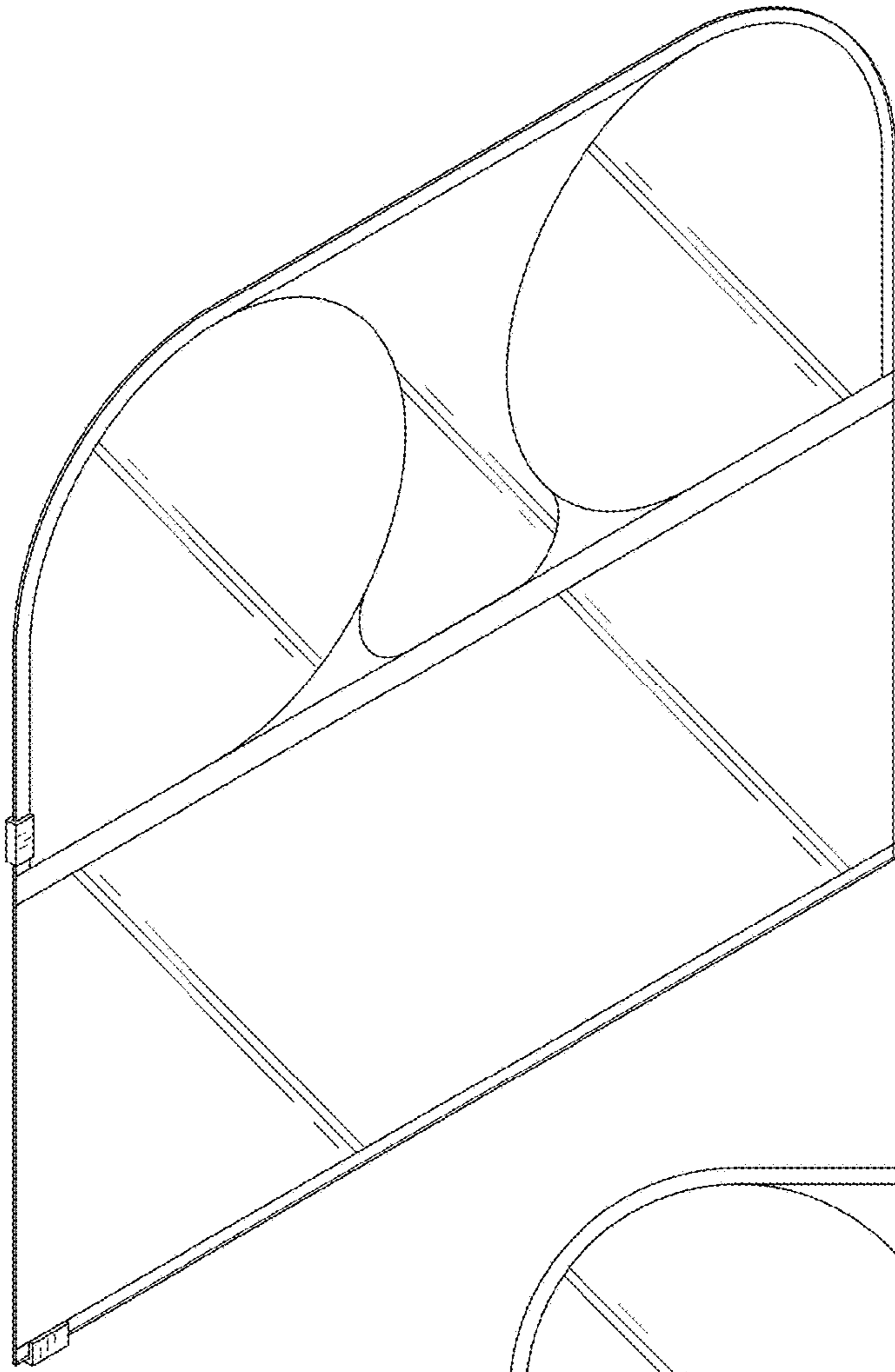


FIG. 13

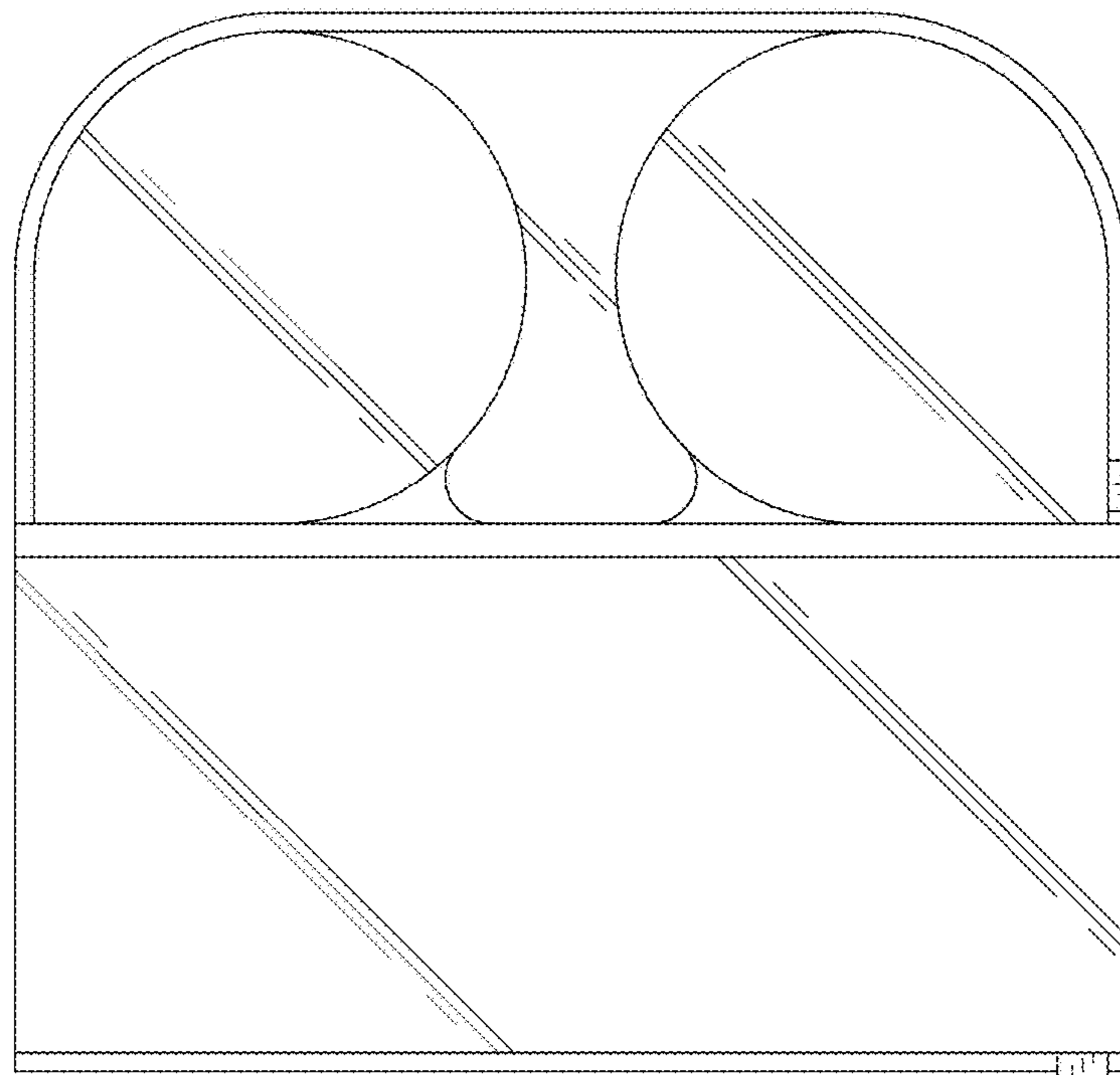


FIG. 14

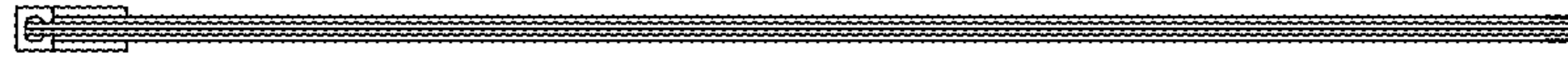


FIG. 15

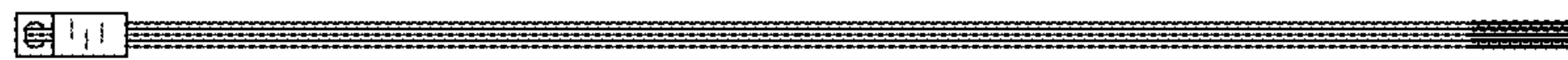


FIG. 16

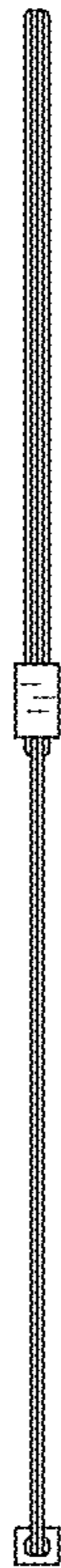


FIG. 17

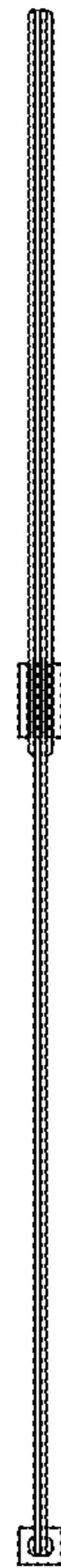


FIG. 18

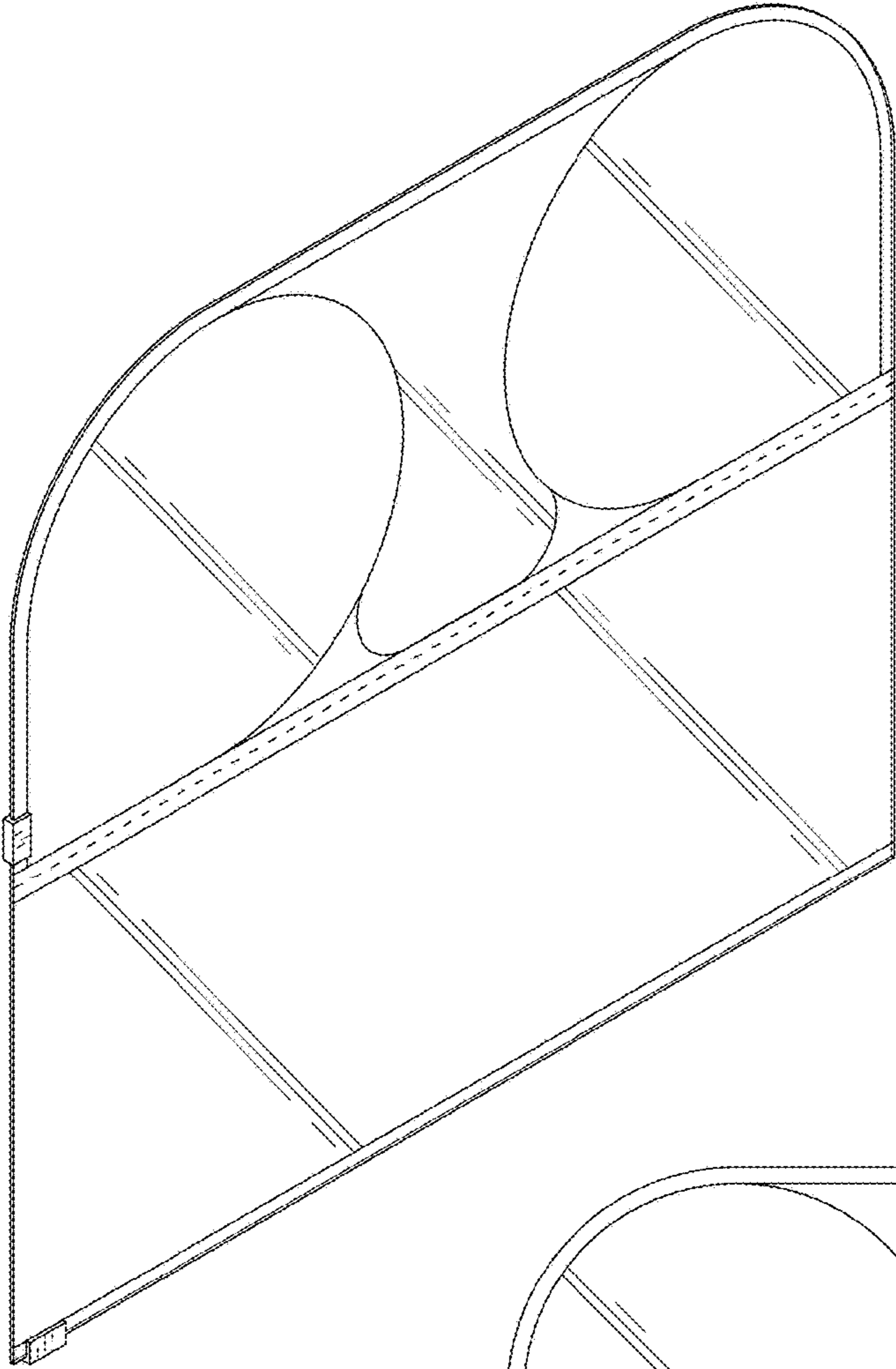


FIG. 19

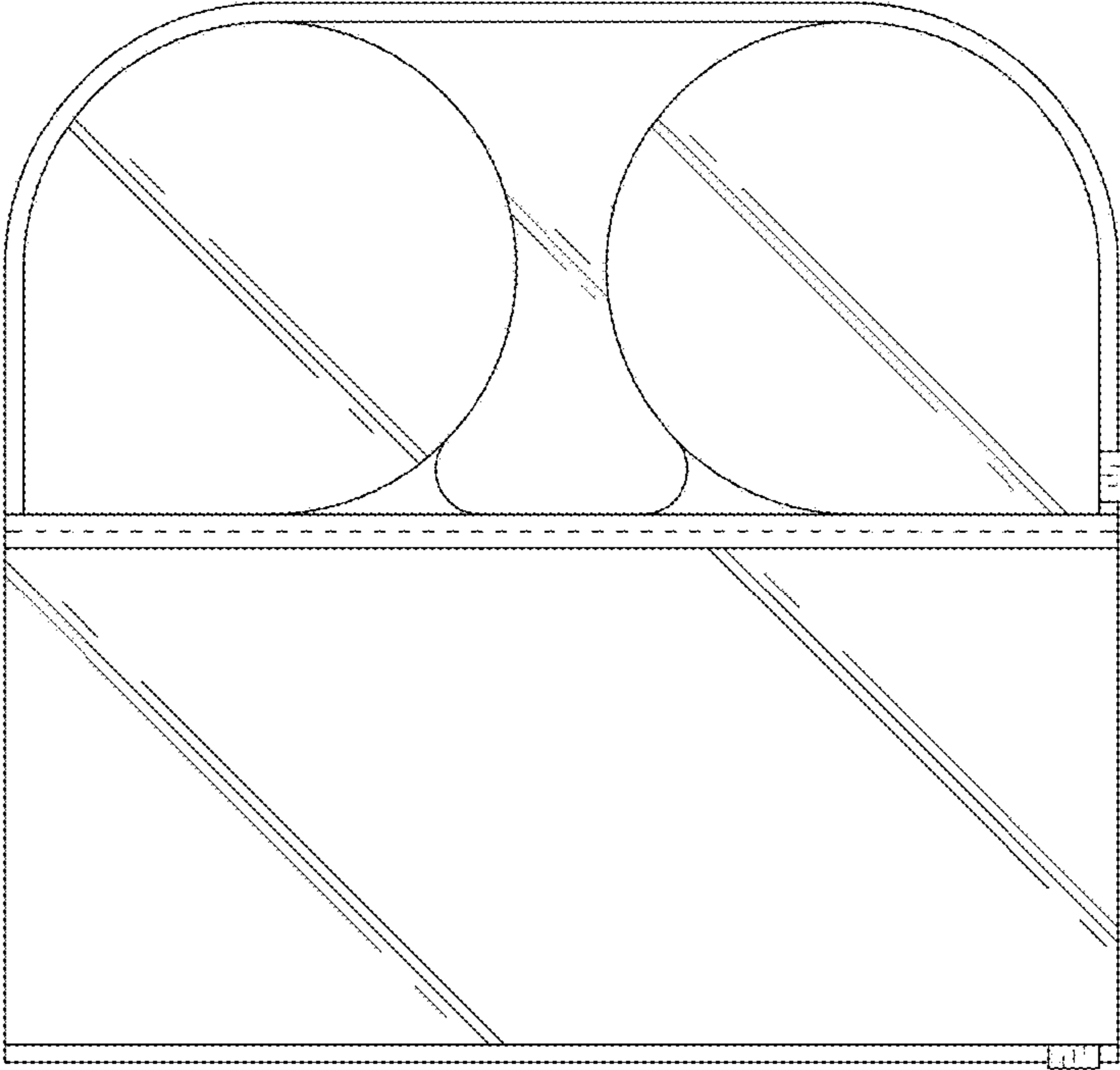


FIG. 20



FIG. 21



FIG. 22



FIG. 23

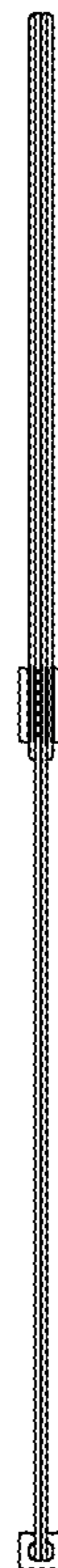


FIG. 24

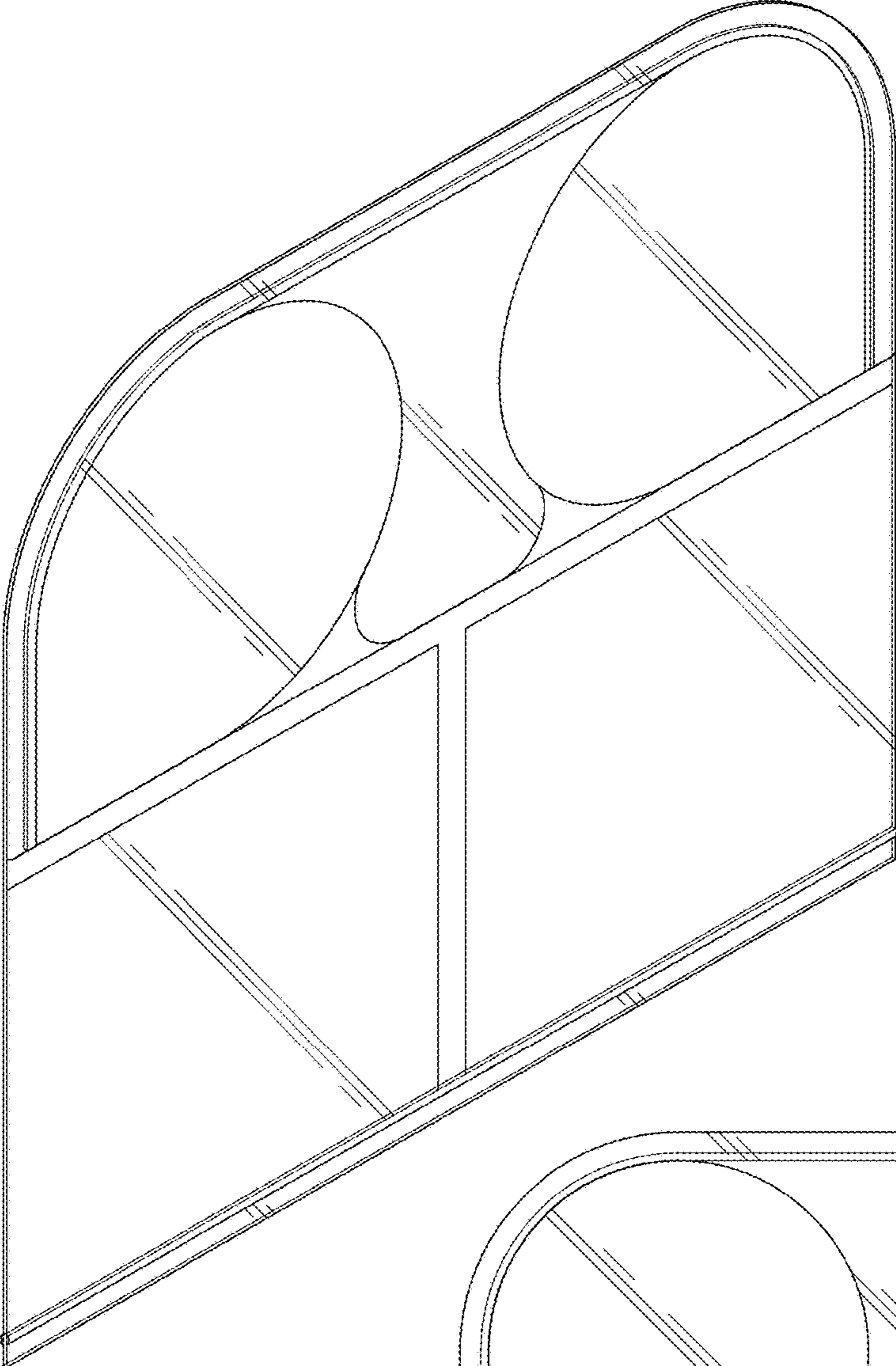


FIG. 25

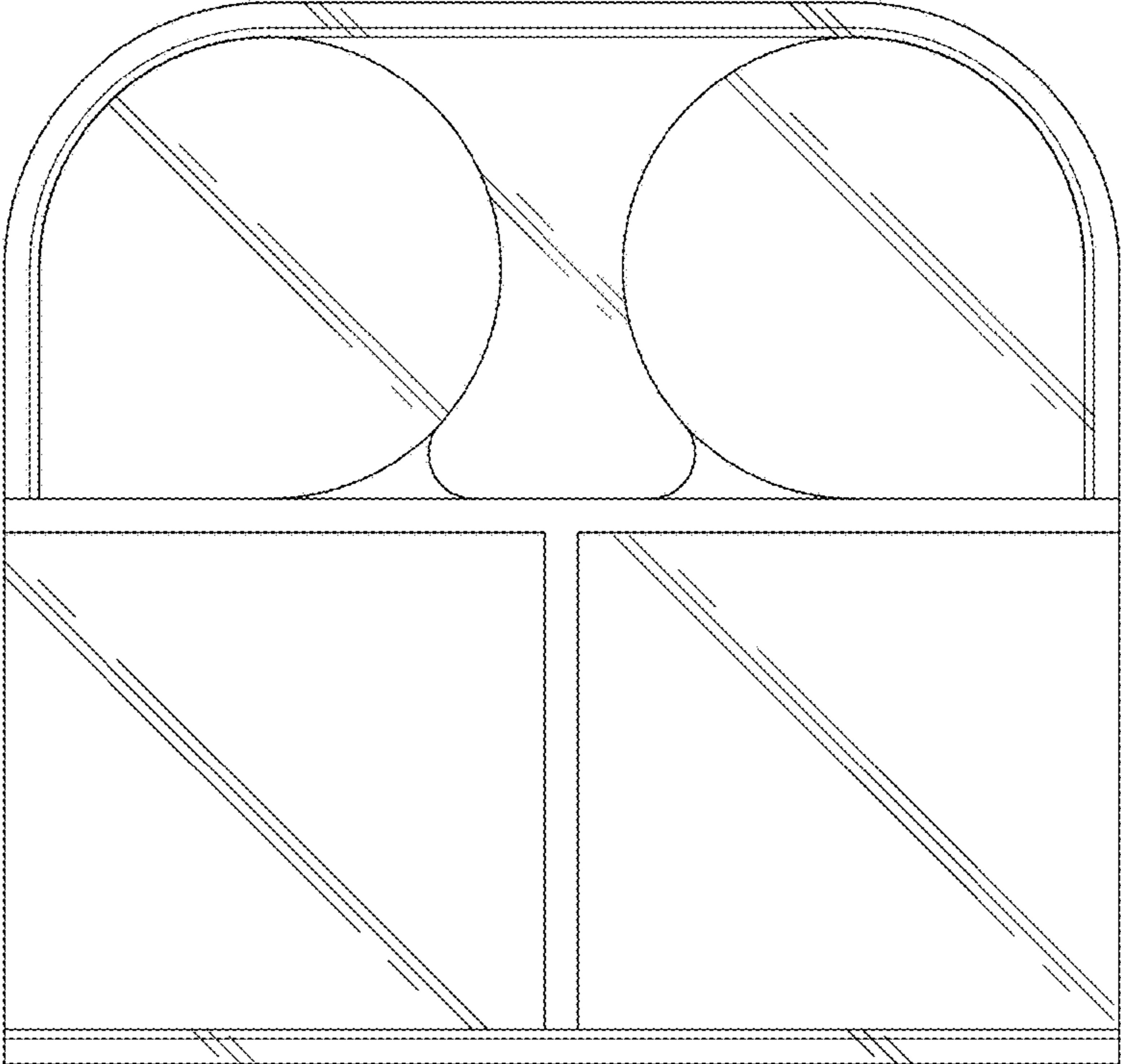


FIG. 26

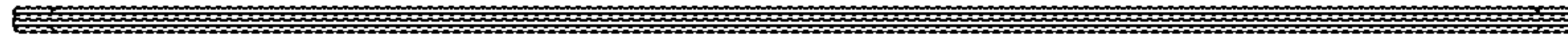


FIG. 27

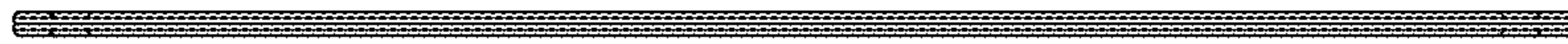


FIG. 28



FIG. 29



FIG. 30

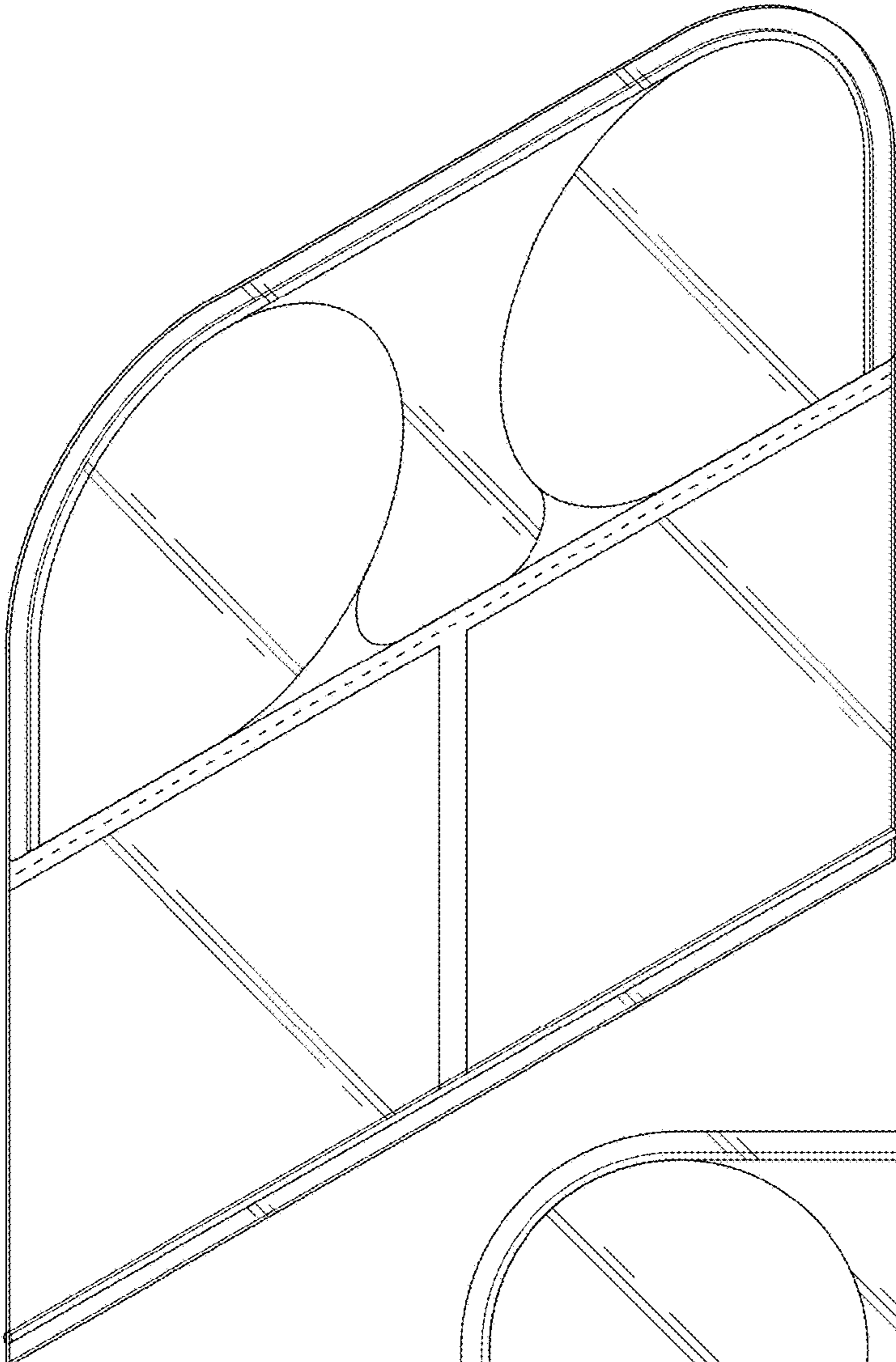


FIG. 31

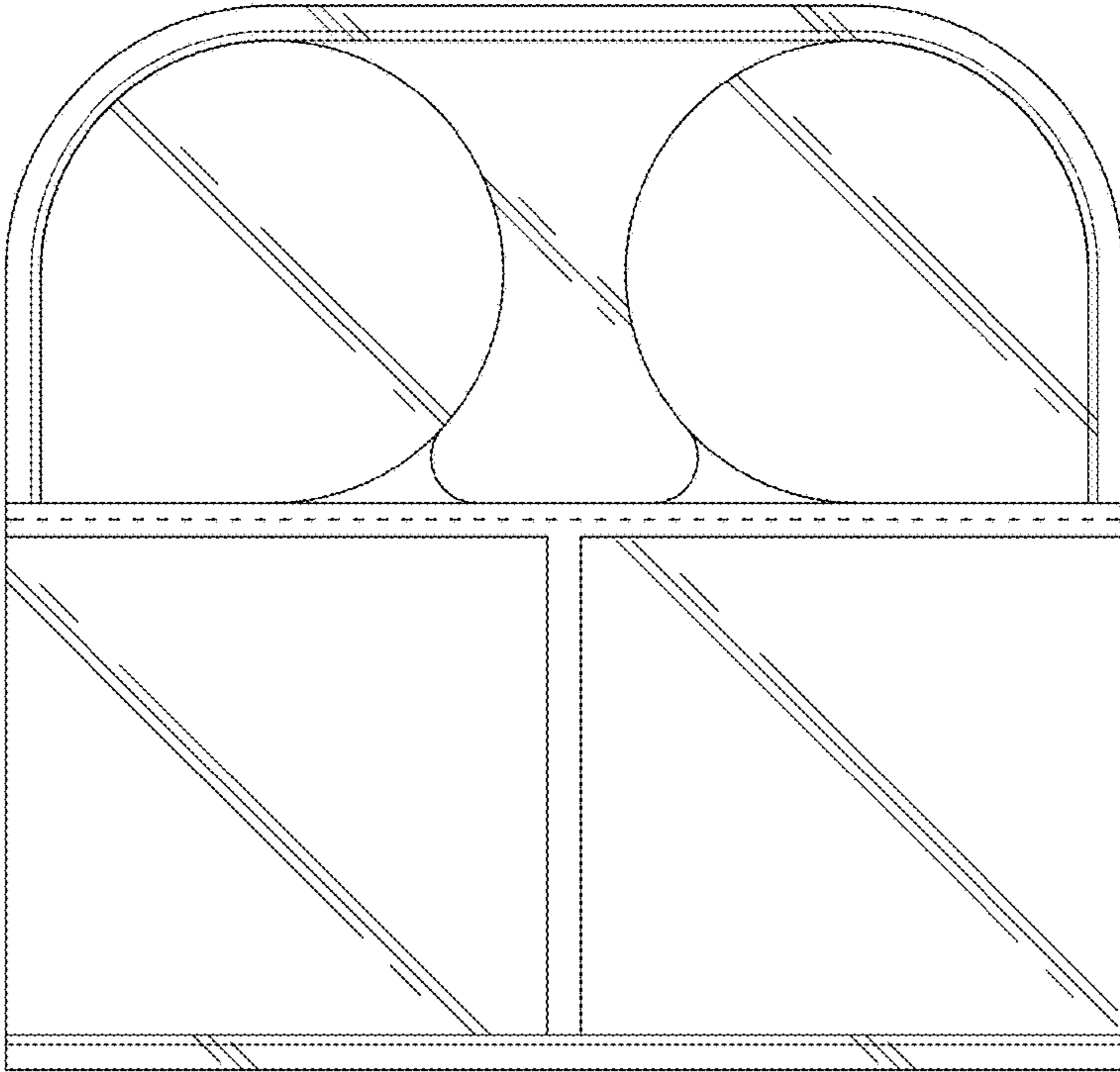


FIG. 32



FIG. 33



FIG. 34



FIG. 35



FIG. 36

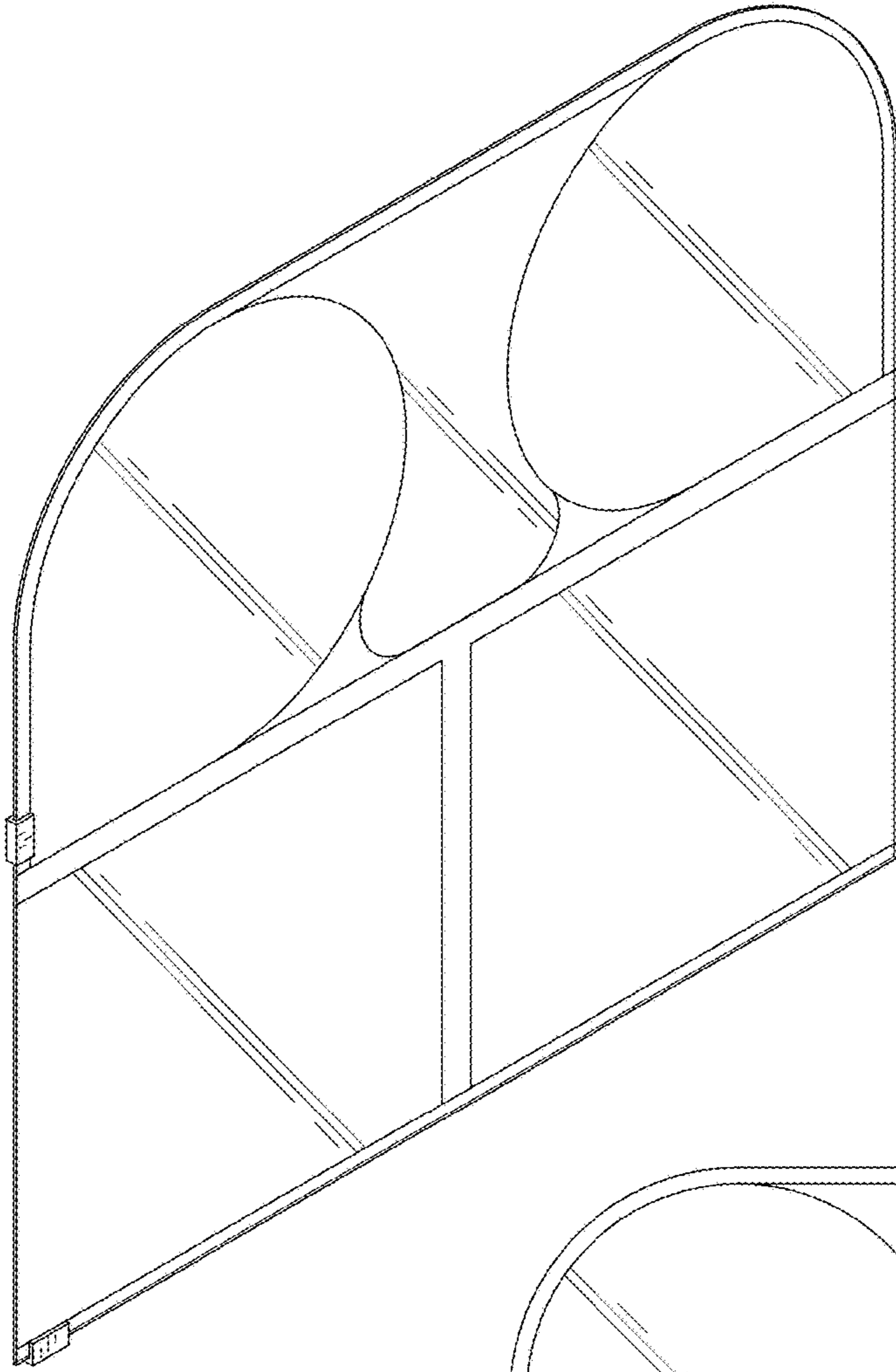


FIG. 37

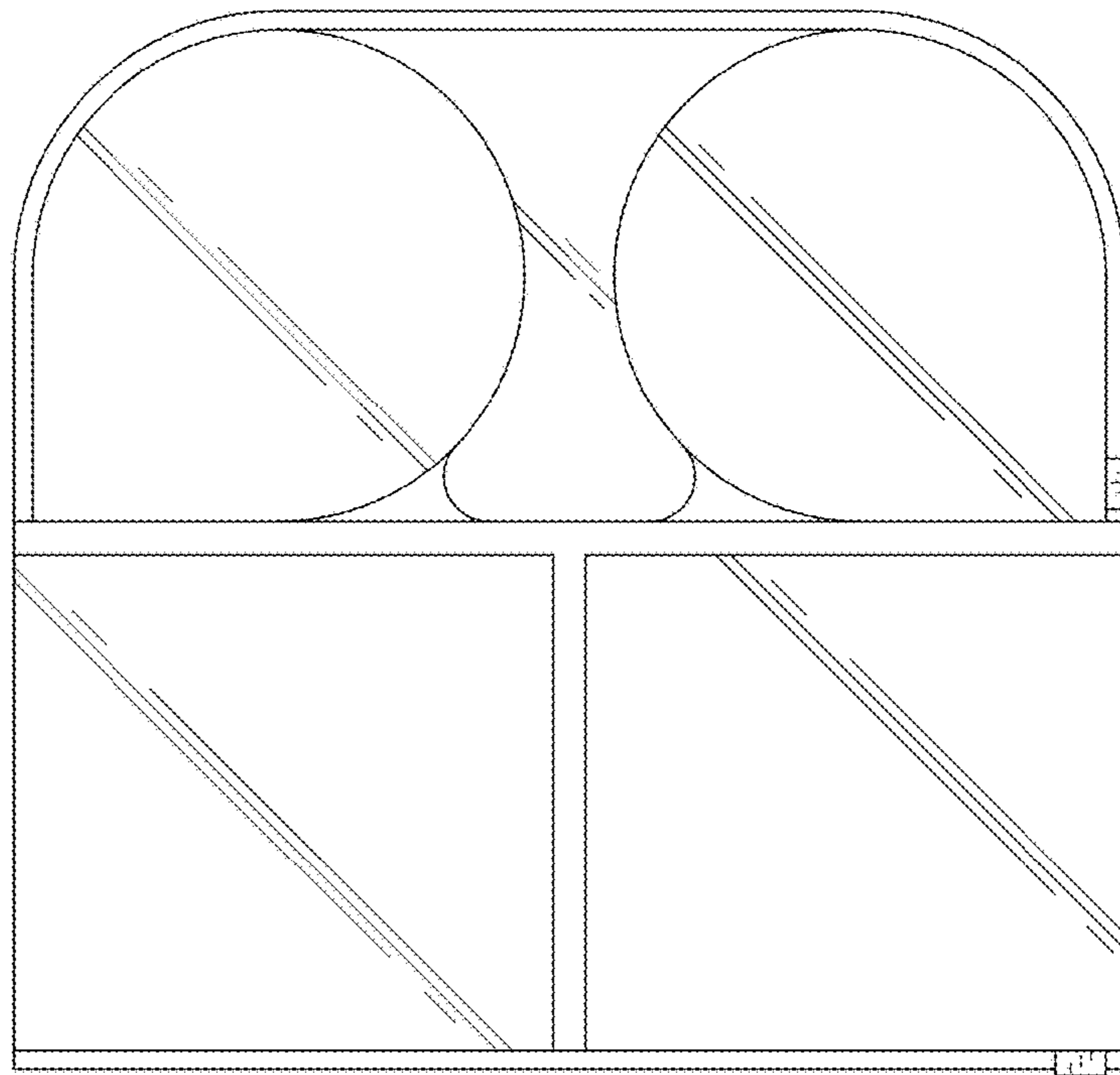


FIG. 38

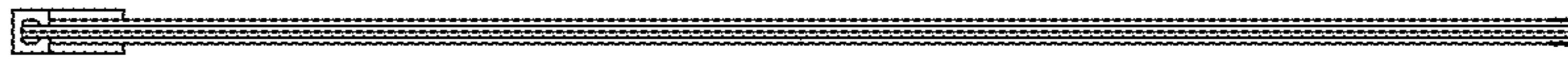


FIG. 39



FIG. 40

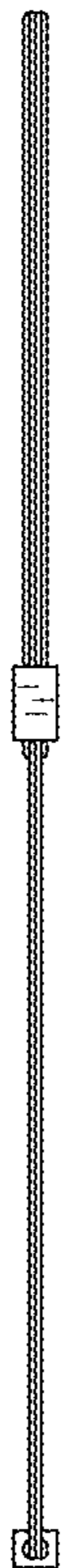


FIG. 41

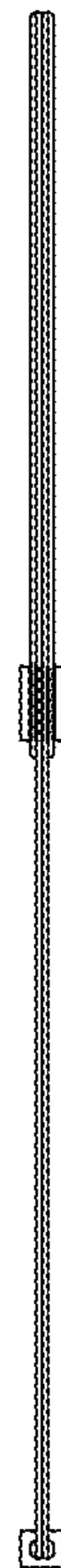


FIG. 42

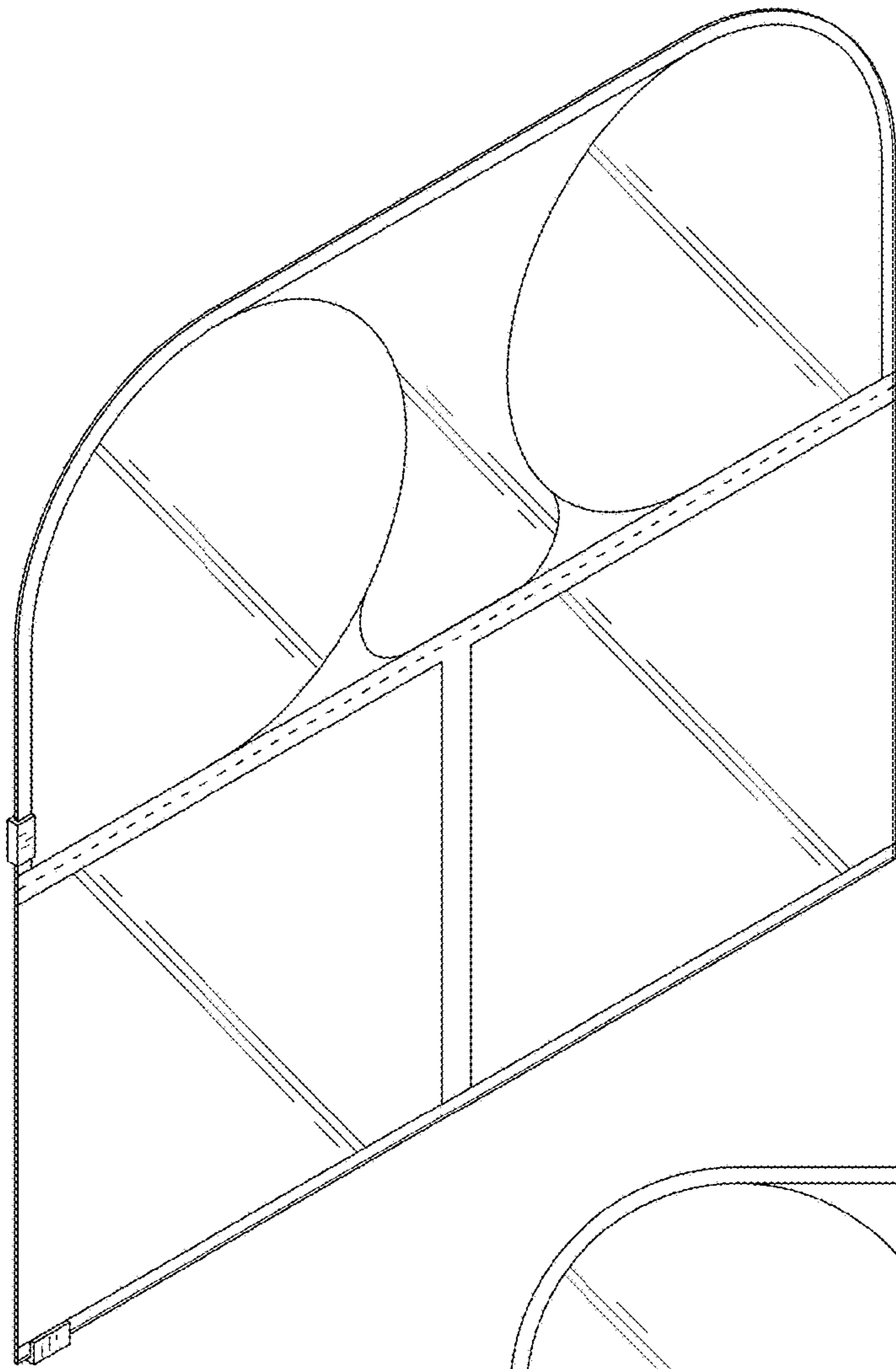


FIG. 43

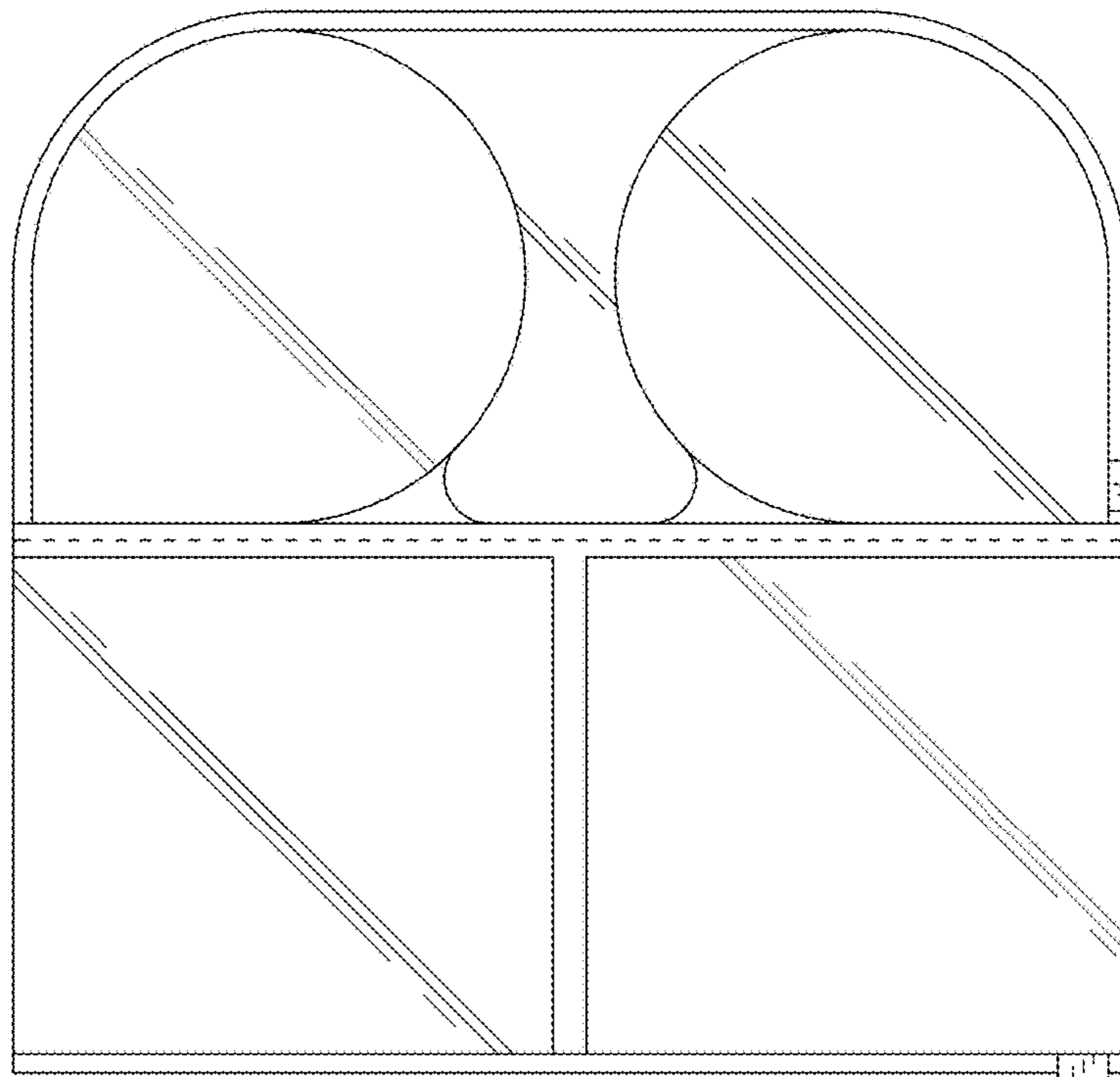


FIG. 44



FIG. 45



FIG. 46

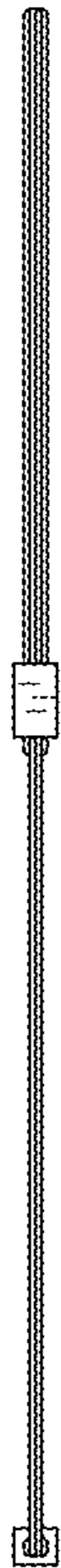


FIG. 47



FIG. 48