



US00D801821S

(12) **United States Design Patent** (10) **Patent No.:** **US D801,821 S**
Toh et al. (45) **Date of Patent:** **** Nov. 7, 2017**

(54) **CONTAINER**

(71) Applicant: **COLGATE-PALMOLIVE COMPANY**, New York, NY (US)

(72) Inventors: **Kiat-Cheong Toh**, Forest Hills, NY (US); **Thomas VanDyk**, Ramsey, NJ (US); **Roland Charriez**, Plattekill, NY (US); **David Demar**, Tenafly, NY (US); **Keith Kristiansen**, Stratford, CT (US); **Simon Dutton**, New City, NY (US)

(73) Assignee: **Colgate-Palmolive Company**, New York, NY (US)

(**) Term: **15 Years**

(21) Appl. No.: **29/581,266**

(22) Filed: **Oct. 17, 2016**

Related U.S. Application Data

(62) Division of application No. 29/502,646, filed on Sep. 18, 2014, now Pat. No. Des. 773,305.

(51) **LOC (10) Cl.** **09-01**

(52) **U.S. Cl.**
USPC **D9/565**

(58) **Field of Classification Search**
USPC D9/682-694, 516-575, 435, 436, 446, D9/447, 449

CPC B65D 1/02; B65D 1/023; B65D 1/0223; B65D 1/0246; B65D 2501/0081; B65D 2501/009; B65D 47/08; B65D 47/0804; B65D 47/0809; B65D 47/0814; B65D 47/0838; B65D 47/2018; B65D 51/249

See application file for complete search history.

(56) **References Cited**

U.S. PATENT DOCUMENTS

D242,126 S 11/1976 Morea
D254,651 S 4/1980 Shortino

D254,652 S 4/1980 Shortino
D254,713 S 4/1980 Shortino
D282,441 S 2/1986 Shiokawa
D346,964 S 5/1994 Green
D355,363 S 2/1995 Iorii
5,417,991 A 5/1995 Green
D372,870 S 8/1996 Westerhout
D373,536 S 9/1996 Kokenge
D378,665 S 4/1997 Fenton et al.

(Continued)

FOREIGN PATENT DOCUMENTS

AR 70799 2/2003
AU 134731 8/1998

(Continued)

OTHER PUBLICATIONS

Thailand (TH) registered design document Nos. 0113118, 0113119, 0113120, 0113121, 0113122, 0113123 & 0114352, all published in 2012, publication month unknown.

(Continued)

Primary Examiner — Catherine Tuttle

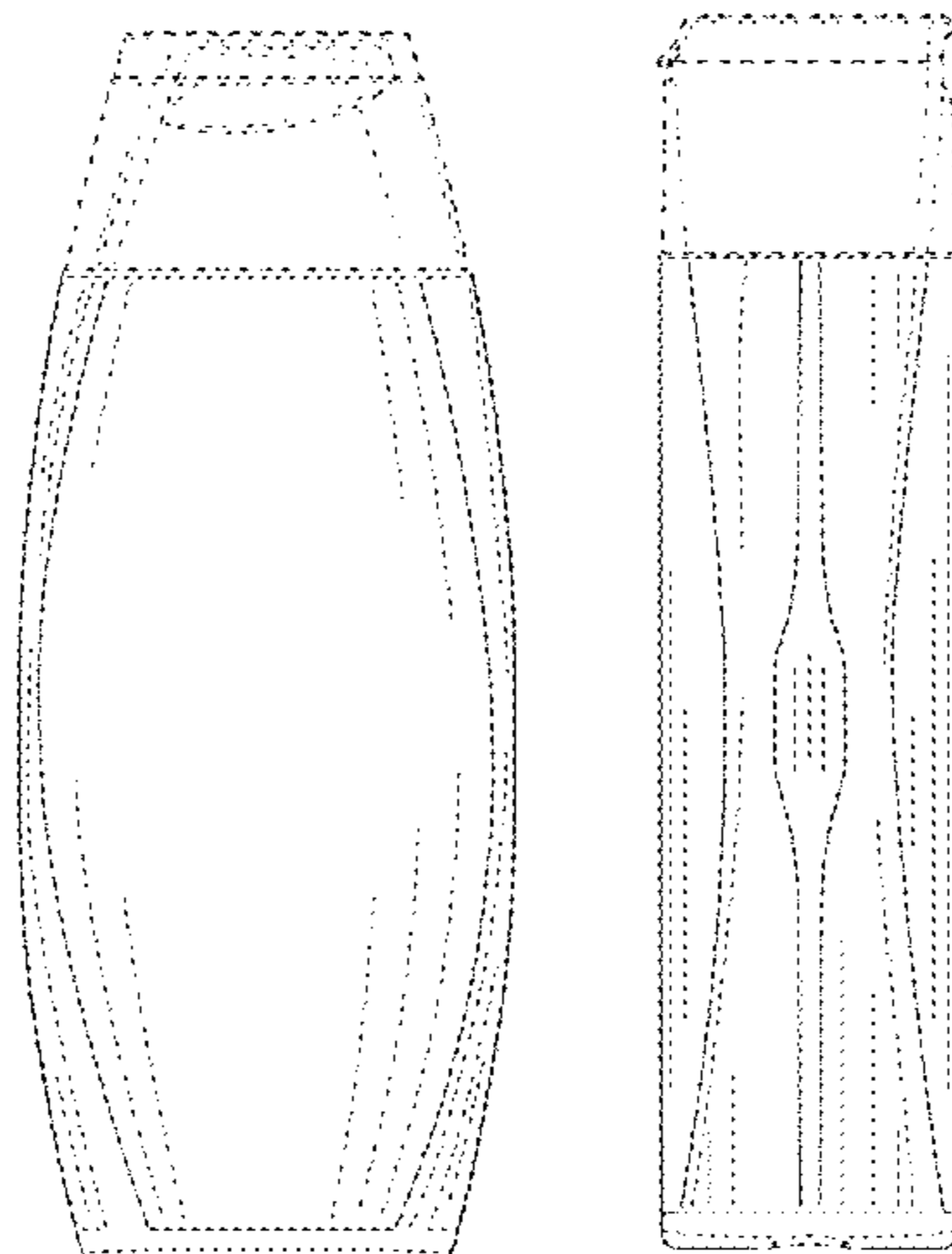
(57) **CLAIM**

The ornamental design for a container, as shown and described.

DESCRIPTION

FIG. 1 is a front perspective view of a container embodying our new design;
FIG. 2 is a front elevational view thereof;
FIG. 3 is a rear elevational view thereof;
FIG. 4 is a left side elevational view thereof;
FIG. 5 is a right side elevational view thereof;
FIG. 6 is a top plan view thereof; and,
FIG. 7 is a bottom plan view thereof.
The broken lines are included for the purpose of illustrating the portions of the container that form no part of the claimed design.

1 Claim, 5 Drawing Sheets



(56)

References Cited

U.S. PATENT DOCUMENTS

D379,309 S 5/1997 Crawford
 D382,209 S 8/1997 Fenton
 D398,238 S 9/1998 Bertolini et al.
 D398,244 S 9/1998 Bertolini
 D401,507 S 11/1998 Gonda et al.
 D406,482 S 3/1999 Kerr
 D416,154 S 11/1999 Diehl
 D430,008 S 8/2000 Gobe
 D437,559 S 2/2001 Fenton et al.
 D440,881 S 4/2001 Flurer et al.
 D444,389 S 7/2001 Bakic
 D446,725 S 8/2001 Lloyd
 D447,953 S 9/2001 Brynstad et al.
 D450,593 S 11/2001 Jebb et al.
 D452,446 S 12/2001 Shear
 D455,349 S 4/2002 Lloyd
 D461,718 S 8/2002 Brozell
 D468,643 S 1/2003 Kuzma
 D471,820 S 3/2003 Faillant-Dumas
 D473,141 S 4/2003 Cummings
 D486,737 S 2/2004 Oates et al.
 D487,400 S 3/2004 Oates
 D490,714 S 6/2004 Snyder
 D491,815 S 6/2004 Crawford
 D494,870 S 8/2004 Bakic
 D495,961 S 9/2004 Bakic
 D501,141 S 1/2005 Bakic
 D501,143 S 1/2005 Bakic
 D521,873 S 5/2006 Ross et al.
 D525,873 S 8/2006 Haubert
 D526,902 S 8/2006 Cummings
 D527,640 S 9/2006 Ludewigs et al.
 D529,388 S 10/2006 Bakic
 D540,176 S 4/2007 Flurer et al.
 D540,682 S 4/2007 Shurtleff et al.
 D542,141 S 5/2007 Okin
 D542,660 S 5/2007 Thomas et al.
 D545,682 S 7/2007 Mongeon
 D552,479 S 10/2007 Mongeon et al.
 D563,226 S 3/2008 Mongeon
 D563,232 S 3/2008 Mongeon
 D563,789 S 3/2008 Mongeon
 D568,162 S 5/2008 Mongeon
 D568,745 S 5/2008 Bradley et al.
 D573,470 S 7/2008 Bradley
 D573,890 S 7/2008 Mongeon
 D580,269 S 11/2008 Xiao et al.
 D580,767 S 11/2008 Okin et al.
 D585,289 S 1/2009 Toh et al.
 D585,290 S 1/2009 Toh et al.
 D587,117 S 2/2009 Crawford
 D587,127 S 2/2009 Moreira
 D588,920 S 3/2009 O'Donahue
 D588,923 S 3/2009 Mongeon
 D591,599 S 5/2009 Okin et al.
 D593,860 S 6/2009 Bradley et al.
 D601,425 S 10/2009 Miller et al.
 D601,427 S 10/2009 Miller
 D602,356 S 10/2009 Shurtleff et al.
 D605,944 S 12/2009 Hundertmark
 D608,196 S 1/2010 Beilke
 D608,639 S 1/2010 Jäckel et al.
 D609,572 S 2/2010 Ribadeneira Mejia et al.
 D610,910 S 3/2010 Simmons et al.
 D611,830 S 3/2010 Casey et al.
 D615,412 S 5/2010 Thomas et al.
 D616,750 S 6/2010 Toh
 D622,151 S 8/2010 Toh
 D624,424 S 9/2010 Fiore
 D632,963 S 2/2011 Hale
 D634,210 S 3/2011 Kaplan et al.
 D640,563 S 6/2011 Simmons et al.
 D644,106 S 8/2011 Almstead
 D644,531 S 9/2011 Padain
 D646,170 S 10/2011 Carnduff et al.

D650,282 S 12/2011 Padain
 D653,556 S 2/2012 Arcos
 D662,422 S 6/2012 Avakian
 D665,261 S 8/2012 Mazurkiewicz et al.
 D666,107 S 8/2012 Blachford et al.
 D674,282 S 1/2013 Baldrige
 D683,226 S 5/2013 Baldrige
 D683,229 S 5/2013 Crawford et al.
 D683,230 S 5/2013 Crawford et al.
 D683,237 S 5/2013 Crawford et al.
 D683,631 S 6/2013 Crawford
 D684,064 S 6/2013 Crawford et al.
 D684,473 S 6/2013 Crawford et al.
 D684,864 S 6/2013 Crawford et al.
 D688,130 S 8/2013 Crawford et al.
 D688,131 S 8/2013 Crawford
 D689,367 S 9/2013 Crawford
 D690,204 S 9/2013 Crawford et al.
 D691,042 S 10/2013 Crawford
 D691,045 S 10/2013 Toh et al.
 D694,631 S 12/2013 Crawford
 D715,655 S 10/2014 Brewer
 D718,144 S 11/2014 Brewer
 D721,972 S 2/2015 Brewer
 D722,272 S 2/2015 Brewer
 D725,476 S 3/2015 Kuzma
 D736,094 S 8/2015 Jeong
 D739,746 S 9/2015 Liu
 D740,671 S 10/2015 de Vries
 D740,672 S 10/2015 de Vries
 D741,178 S 10/2015 Higareda
 D741,179 S 10/2015 Higareda
 D741,180 S 10/2015 Higareda
 D742,235 S 11/2015 Albuquerque et al.
 D746,692 S 1/2016 Alvarez de Cienfuegos
 Hernandez et al.
 D750,964 S 3/2016 Alvarez de Cienfuegos
 Hernandez et al.
 D750,965 S 3/2016 Alvarez de Cienfuegos
 Hernandez et al.
 D753,493 S 4/2016 Alvarez de Cienfuegos
 Hernandez et al.
 D753,494 S 4/2016 Toh
 D758,872 S 6/2016 Blake
 2015/0144585 A1 5/2015 Crawford
 2015/0272197 A1 10/2015 Swain

FOREIGN PATENT DOCUMENTS

AU 144335 7/2001
 AU 157720 3/2005
 AU 333675 11/2010
 BR DI690654-9 12/2000
 BR DI6103571-3 12/2001
 BR DI6403053-9 8/2004
 BR DI6502815-5 9/2005
 BR DI6503457-0 12/2005
 BR DI6600099-8 1/2006
 BR DI6603109 8/2006
 BR DI6703669 11/2007
 BR DI6804054-7 9/2008
 CD 000194550-0003 6/2004
 CD 000296520-0001 2/2005
 CD 001576281-0001 7/2009
 CD 001683343-0004 3/2010
 CD 002353177-0020 11/2013
 CL 200500081 1/2005
 EM 70100031348-0001 9/2003
 MX 17098 2/2003
 MX 32238 11/2010
 MX 36270 7/2011
 NZ 401103 10/2000
 NZ 403264 8/2003
 PH D3-2000-000526 9/2002
 PH D3-2003-000073 2/2004
 PH D3-2002-000125 4/2004
 PH D3-2002-000128 4/2004
 PH D3-2004-000624 9/2004

(56)

References Cited

FOREIGN PATENT DOCUMENTS

TH	D48931	8/2002
TH	D54931	4/2003
TH	D69118	8/2005
TH	D79001	3/2006
TH	D74407	12/2006
TH	D116320	9/2012

OTHER PUBLICATIONS

Thailand (TH) registered design document Nos. 0124510 & 0124511, both published in 2013, publication month unknown.

Thailand (TH) registered design document Nos. 093755, 096465, 096498 & 097254 all published in 2009, publication month unknown.

Thailand (TH) registered design document No. 088712, published in 2008, publication month unknown.

Thailand (TH) registered design document No. 087104, published in 2007, publication month unknown.

Thailand (TH) registered design document Nos. 066343, 070345 & 70346, all published in 2005, publication month unknown.

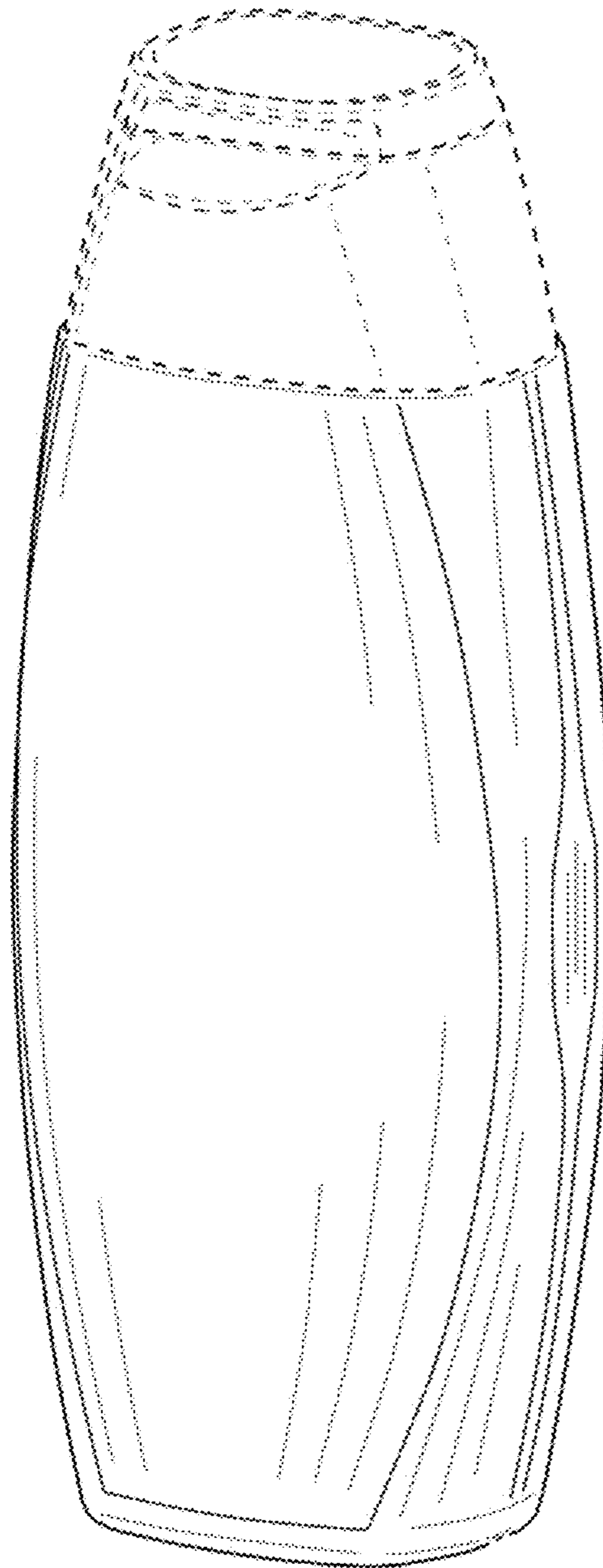


FIG. 1

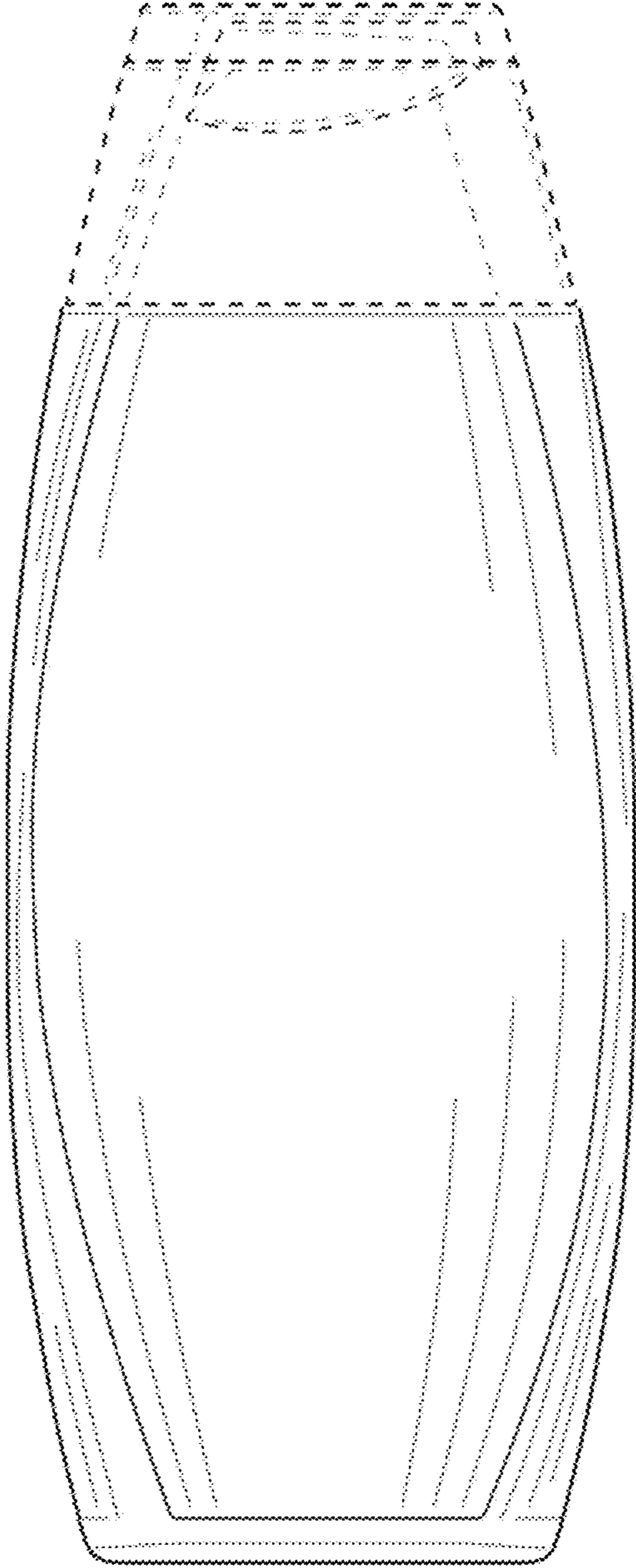


FIG. 2

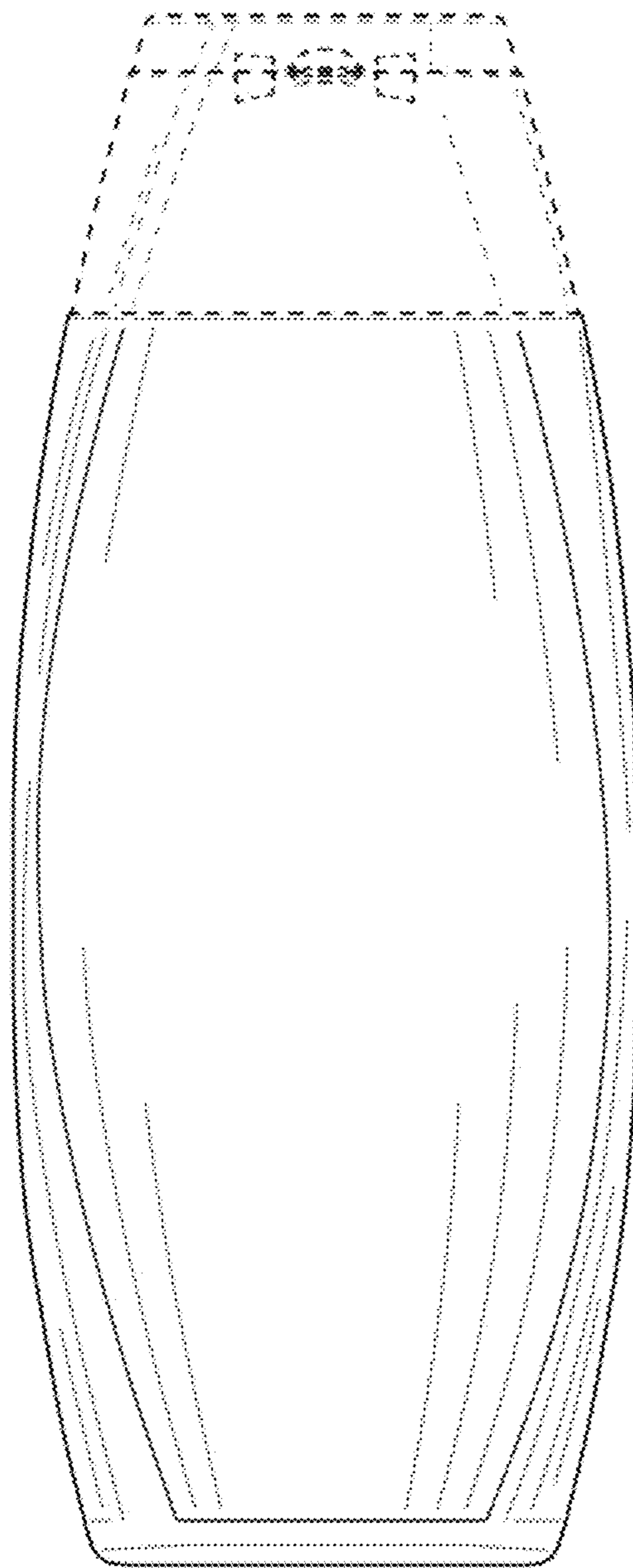


FIG. 3

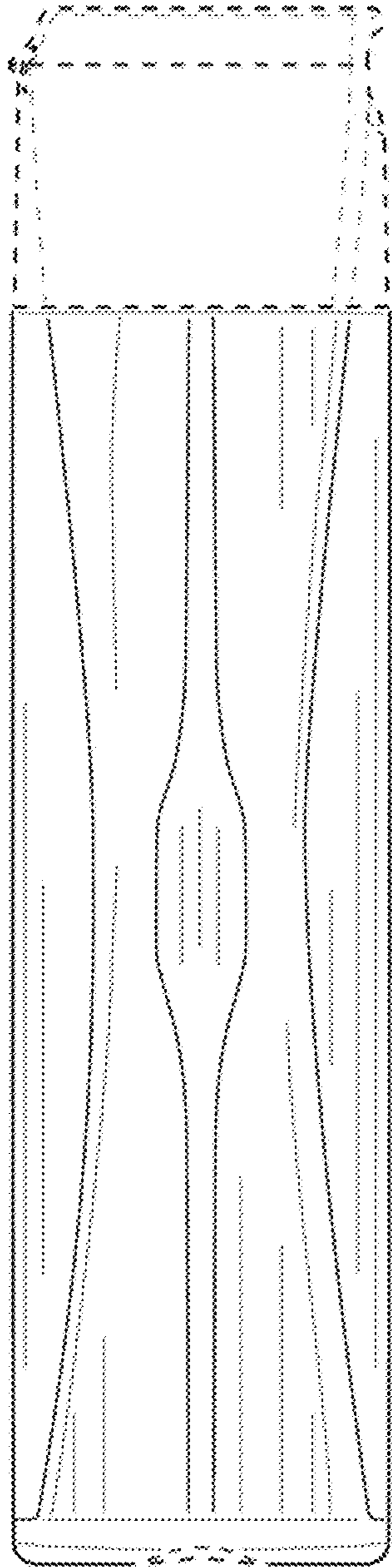


FIG. 4

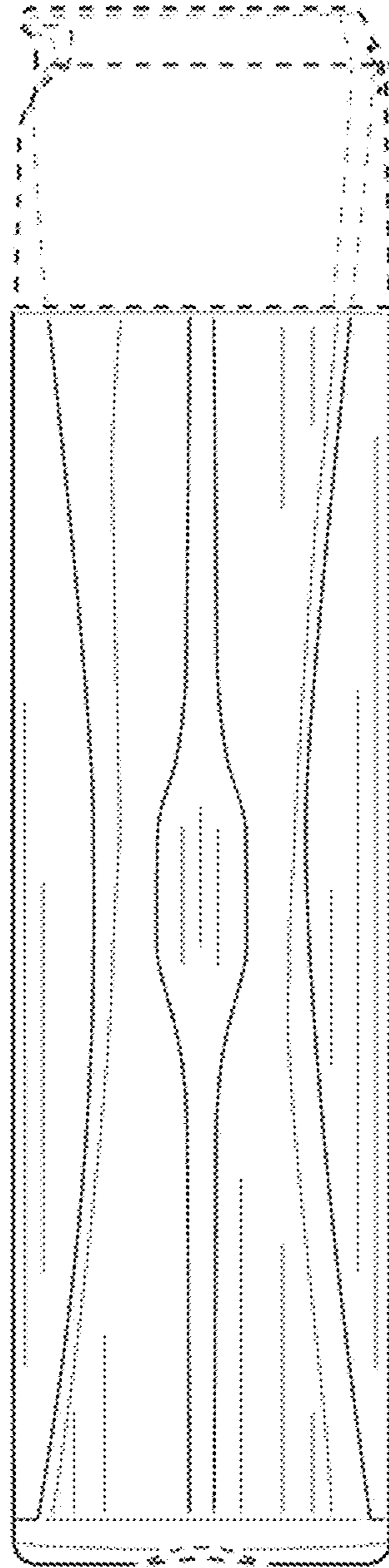


FIG. 5

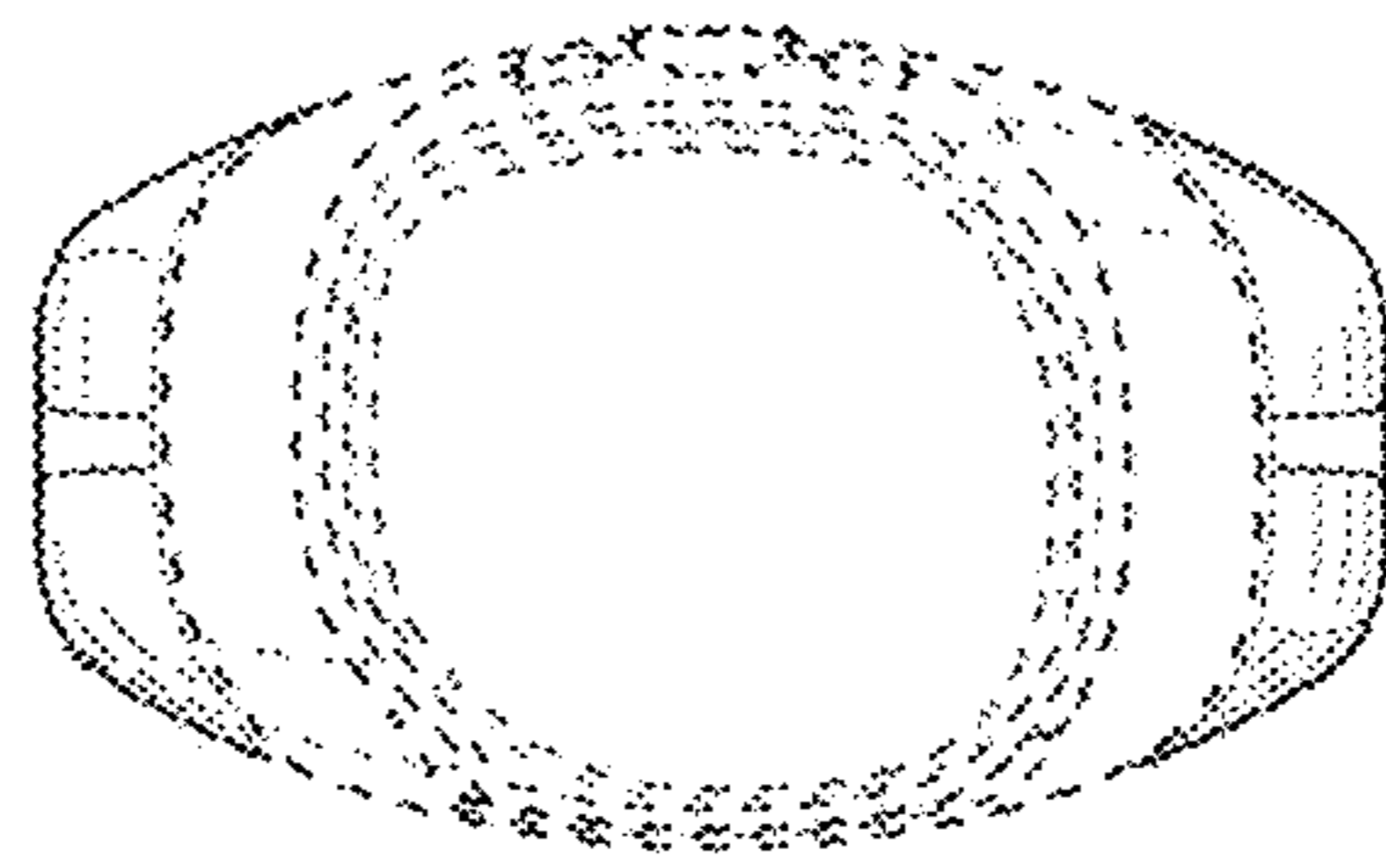


FIG. 6

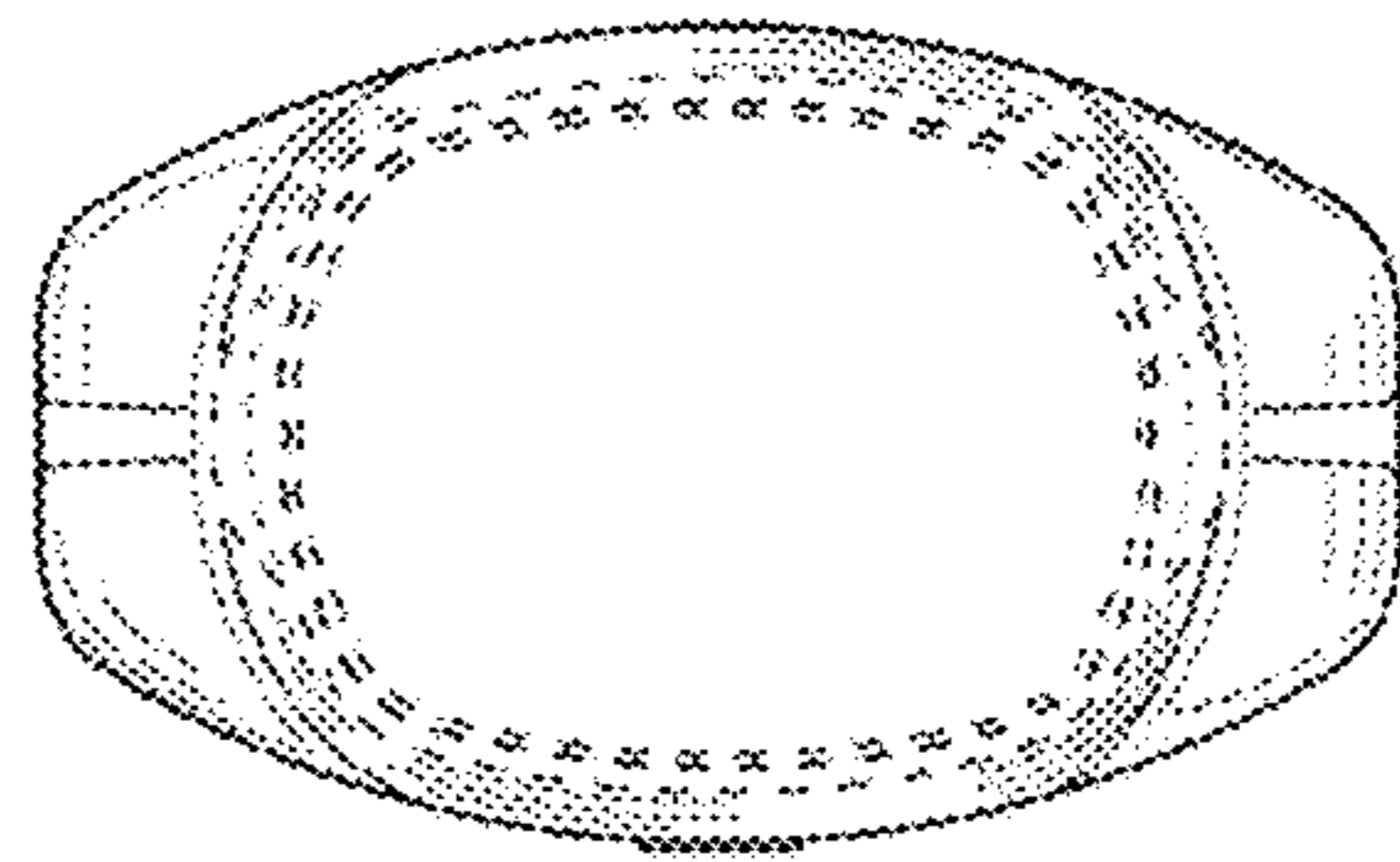


FIG. 7