



US00D801816S

(12) **United States Design Patent** (10) **Patent No.:** **US D801,816 S**
Garcia (45) **Date of Patent:** **** Nov. 7, 2017**

(54) **HANGING INVERTED BOTTLE**
(71) Applicant: **Bernardo Garcia**, Bellevue, WA (US)
(72) Inventor: **Bernardo Garcia**, Bellevue, WA (US)
(**) Term: **15 Years**

D650,692 S 12/2011 Miller
8,413,838 B2 4/2013 Miller
D684,472 S * 6/2013 Garcia D9/534
8,820,572 B2 9/2014 Miller
9,102,435 B1 8/2015 Garcia
9,392,895 B2 7/2016 Miller
(Continued)

(21) Appl. No.: **29/562,009**
(22) Filed: **Apr. 21, 2016**
(51) **LOC (10) Cl.** **09-01**
(52) **U.S. Cl.**
USPC **D9/519**; D9/534
(58) **Field of Classification Search**
USPC D7/538-545, 602, 608, 629, 641;
D9/396.1, 414, 420, 424-426, 429, 432,
D9/761; 206/501-509; 220/781, 791,
220/793, 811-813, 835, 839
CPC B65D 1/24; B65D 25/04; B65D 43/03;
B65D 43/16; B65D 43/0212
See application file for complete search history.

OTHER PUBLICATIONS

“Single,” Spirit Collection, Saverglass, printed May 2014, p. 55,
retrieved from <<http://www.saverglass.com/en/downloads>>.*
(Continued)

Primary Examiner — Derrick Holland
Assistant Examiner — Janice Lim
(74) *Attorney, Agent, or Firm* — Seed IP Law Group LLP

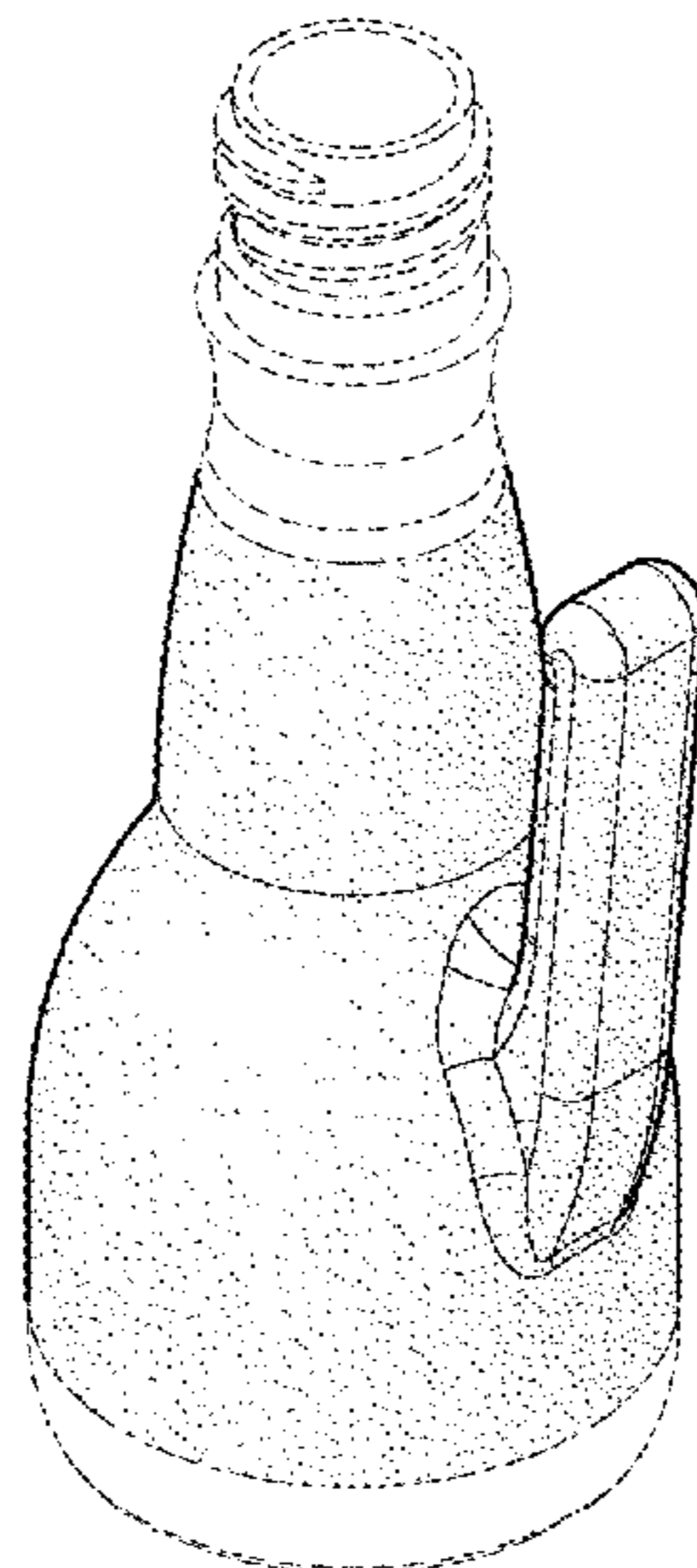
(57) **CLAIM**
The ornamental design for a hanging inverted bottle, sub-
stantially as shown and described.

DESCRIPTION

(56) **References Cited**
U.S. PATENT DOCUMENTS
2,713,952 A * 7/1955 Tessen B65D 1/023
215/45
2,798,230 A 7/1957 Le Febvre et al.
D196,390 S * 9/1963 McDermott 215/383
D204,702 S * 5/1966 Nixon D9/534
D217,899 S * 6/1970 Lawton D7/318
3,619,192 A 11/1971 Land et al.
5,435,513 A * 7/1995 Davis B65D 23/003
248/311.3
D369,279 S * 4/1996 Rothschild, III D7/598
5,549,074 A 8/1996 Hui
6,050,408 A * 4/2000 Testa A46B 17/04
206/15.2
6,273,283 B1 8/2001 Terrana et al.
D562,688 S * 2/2008 Muhlhausen D9/534
8,056,755 B2 11/2011 Williams
D650,691 S 12/2011 Miller

FIG. 1 is a top isometric view of a hanging inverted bottle,
showing my new design.
FIG. 2 is a bottom isometric view thereof.
FIG. 3 is a front elevational view thereof.
FIG. 4 is a back elevational view thereof.
FIG. 5 is a left elevational view thereof.
FIG. 6 is a right elevational view thereof.
FIG. 7 is a top plan view thereof; and,
FIG. 8 is a bottom plan view thereof.
Stippling and tangent lines shown in the drawings represent
the three-dimensional contour of the design. The dot-dash
broken lines immediately adjacent to the claimed areas in
the views represent the boundaries of the design and form no
part thereof. The broken lines in the figures illustrate the
portions of the design that form no part of the claim. None
of the broken lines form any part of the claimed design.

1 Claim, 4 Drawing Sheets



(56)

References Cited

U.S. PATENT DOCUMENTS

2011/0247994 A1* 10/2011 Siciliano A45F 5/021
215/395
2013/0200086 A1 8/2013 Miller
2013/0220969 A1* 8/2013 Miller A47G 23/0241
215/395
2014/0082914 A1 3/2014 Flores

OTHER PUBLICATIONS

“Winch,” Spirit Collection, Saverglass, printed May 2014, p. 69,
retrieved from <<http://www.saverglass.com/en/downloads>>.*

* cited by examiner

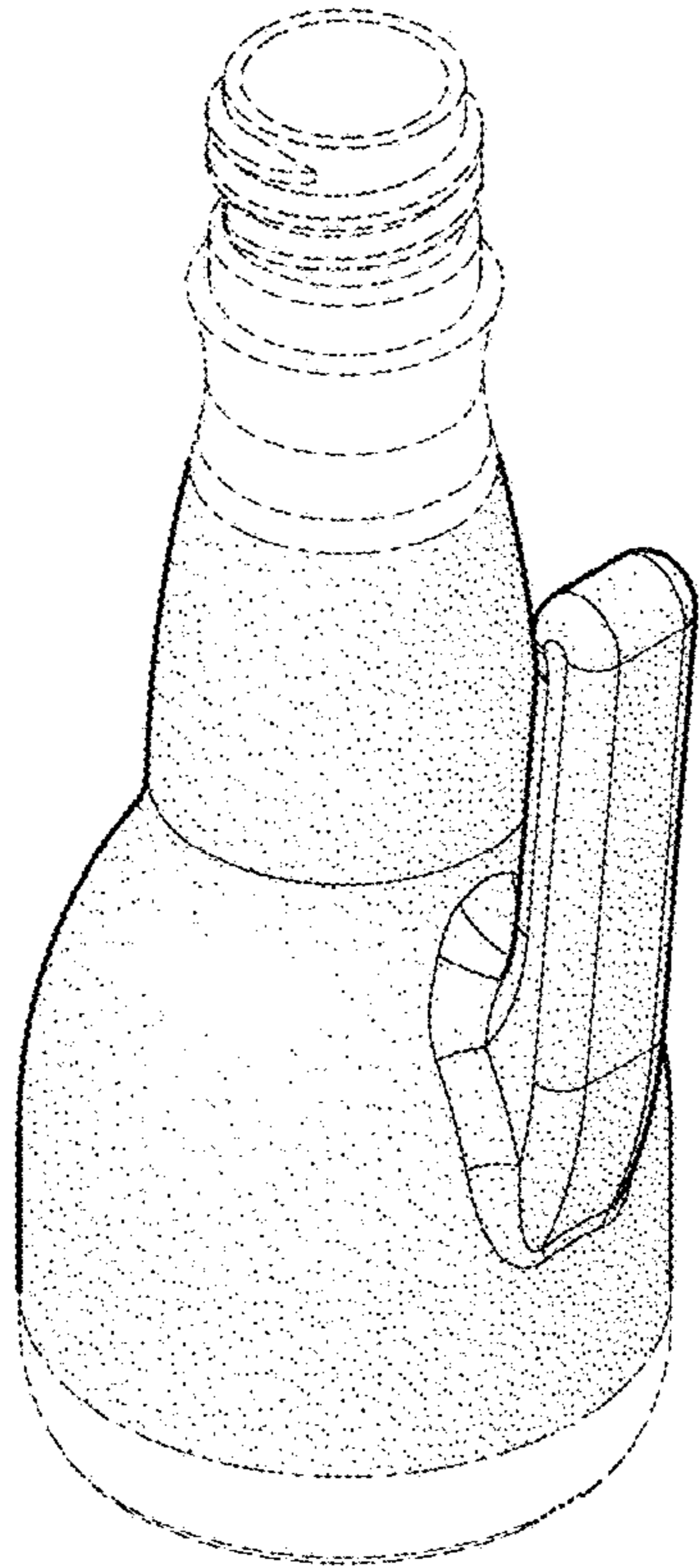


FIG. 1

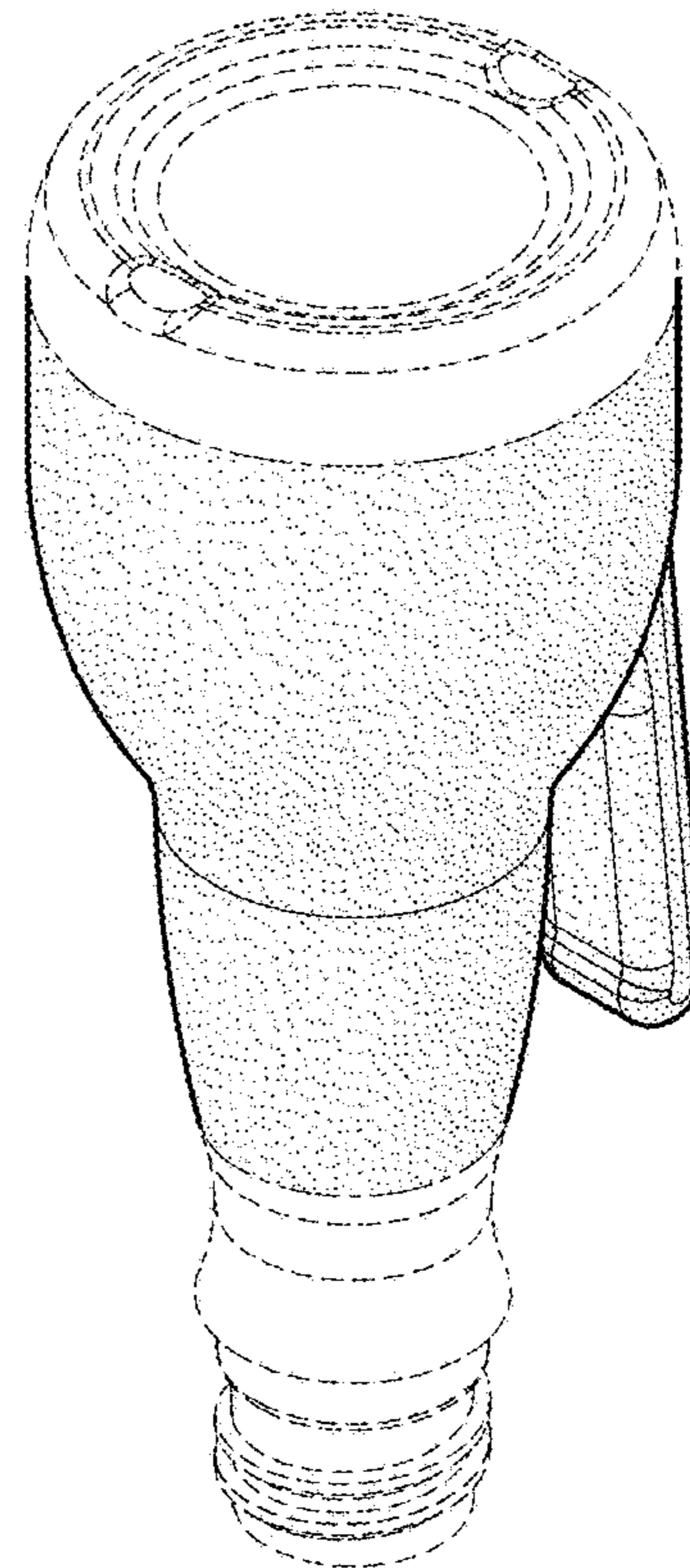


FIG. 2

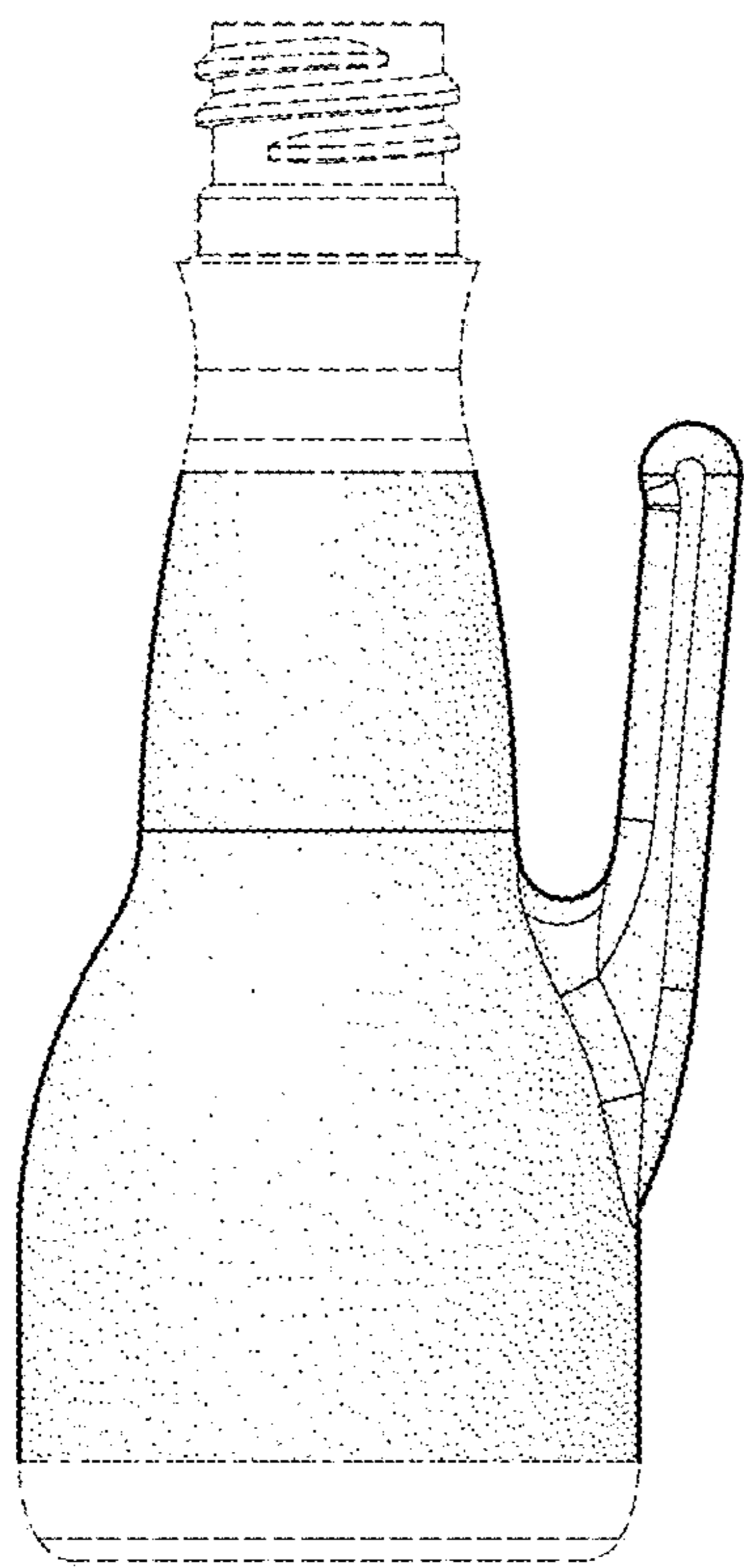


FIG. 3

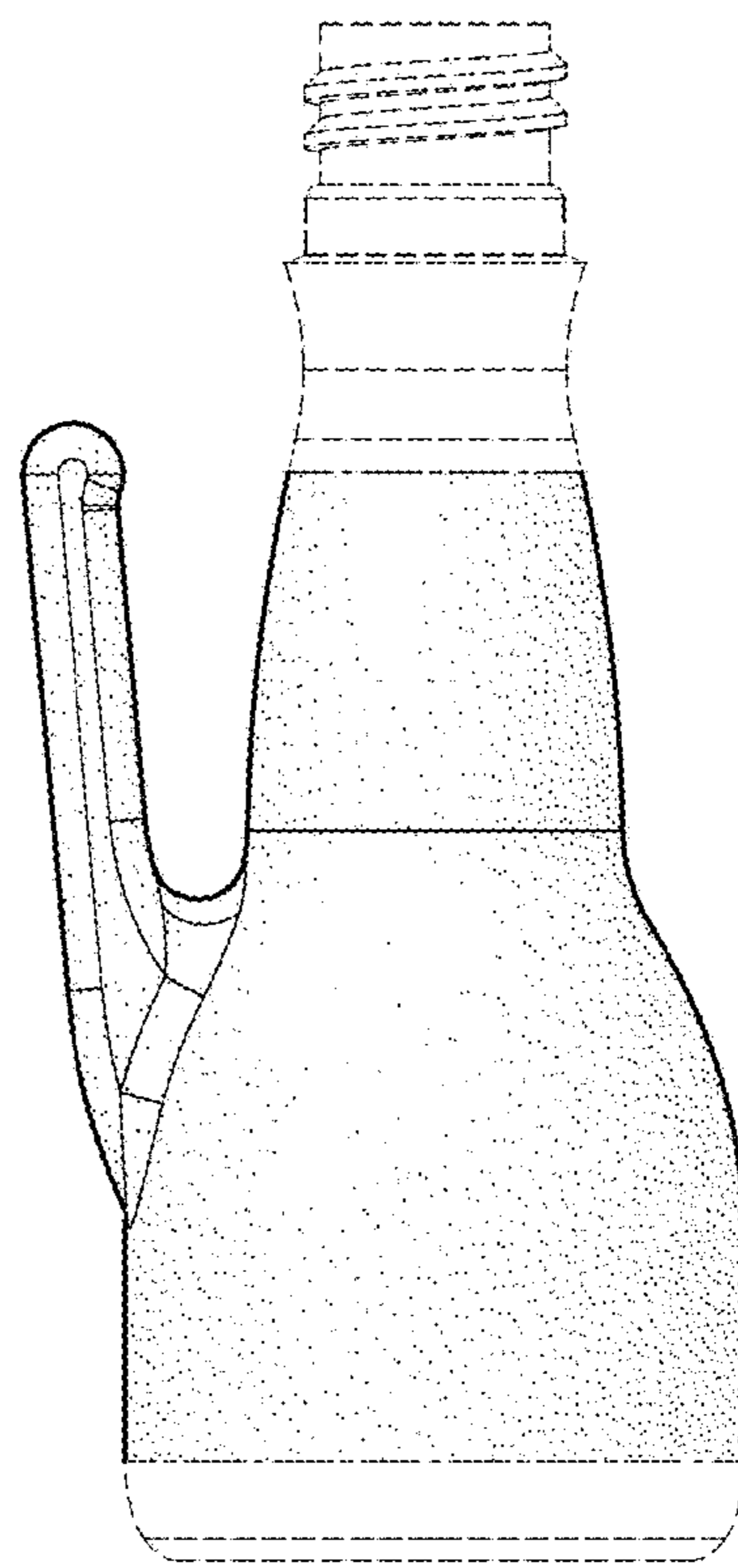


FIG. 4

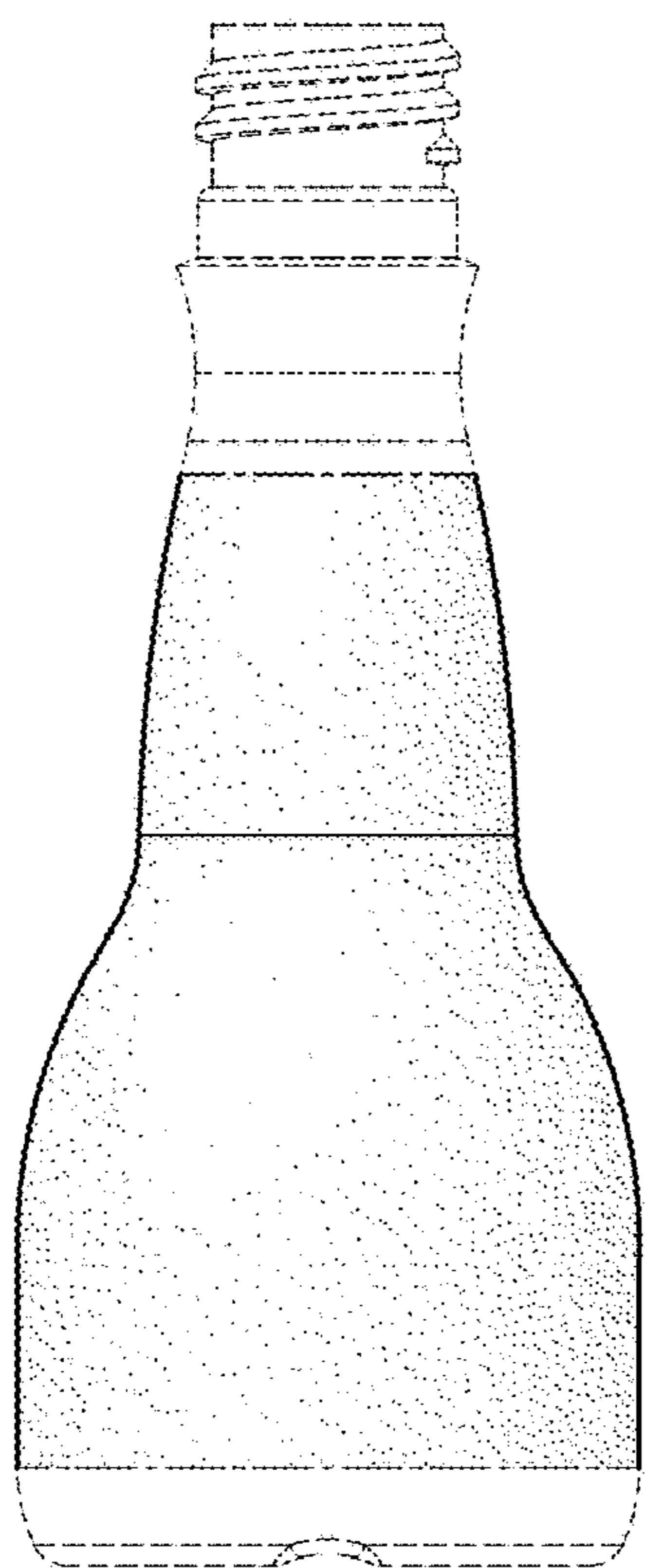


FIG. 5

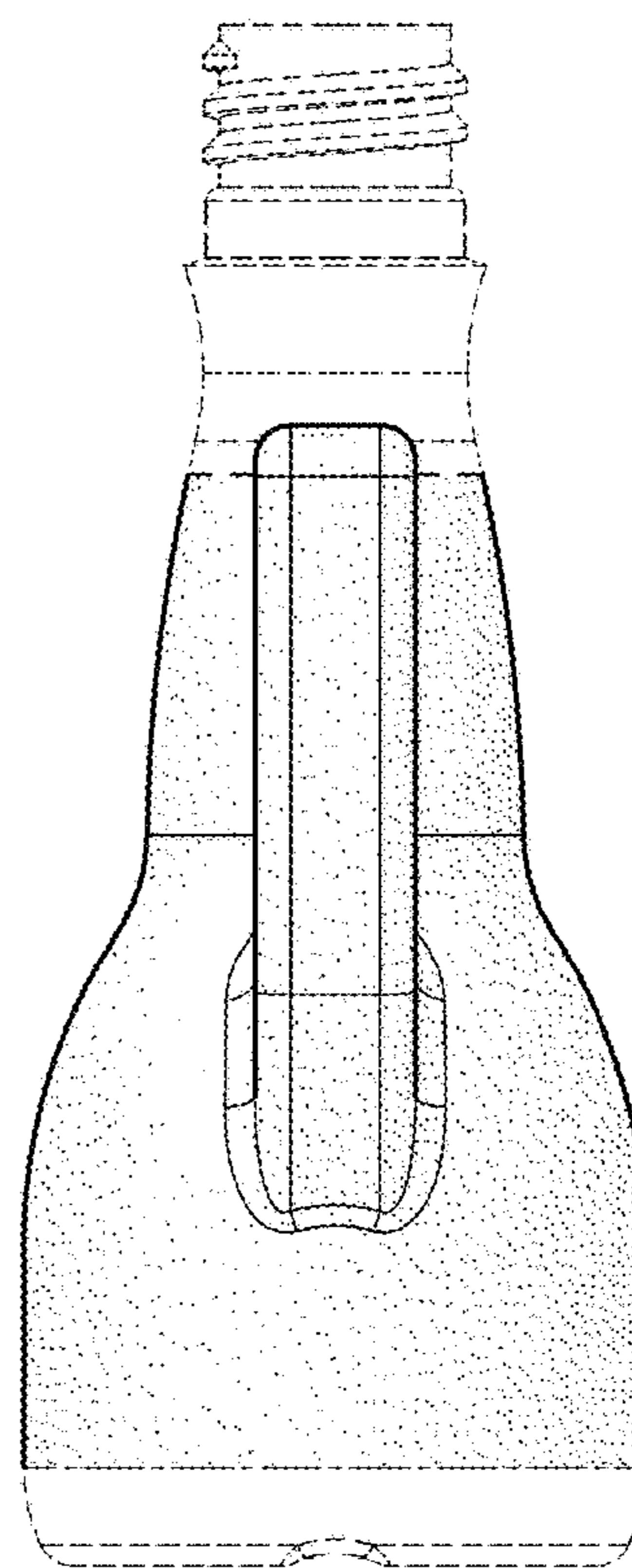


FIG. 6

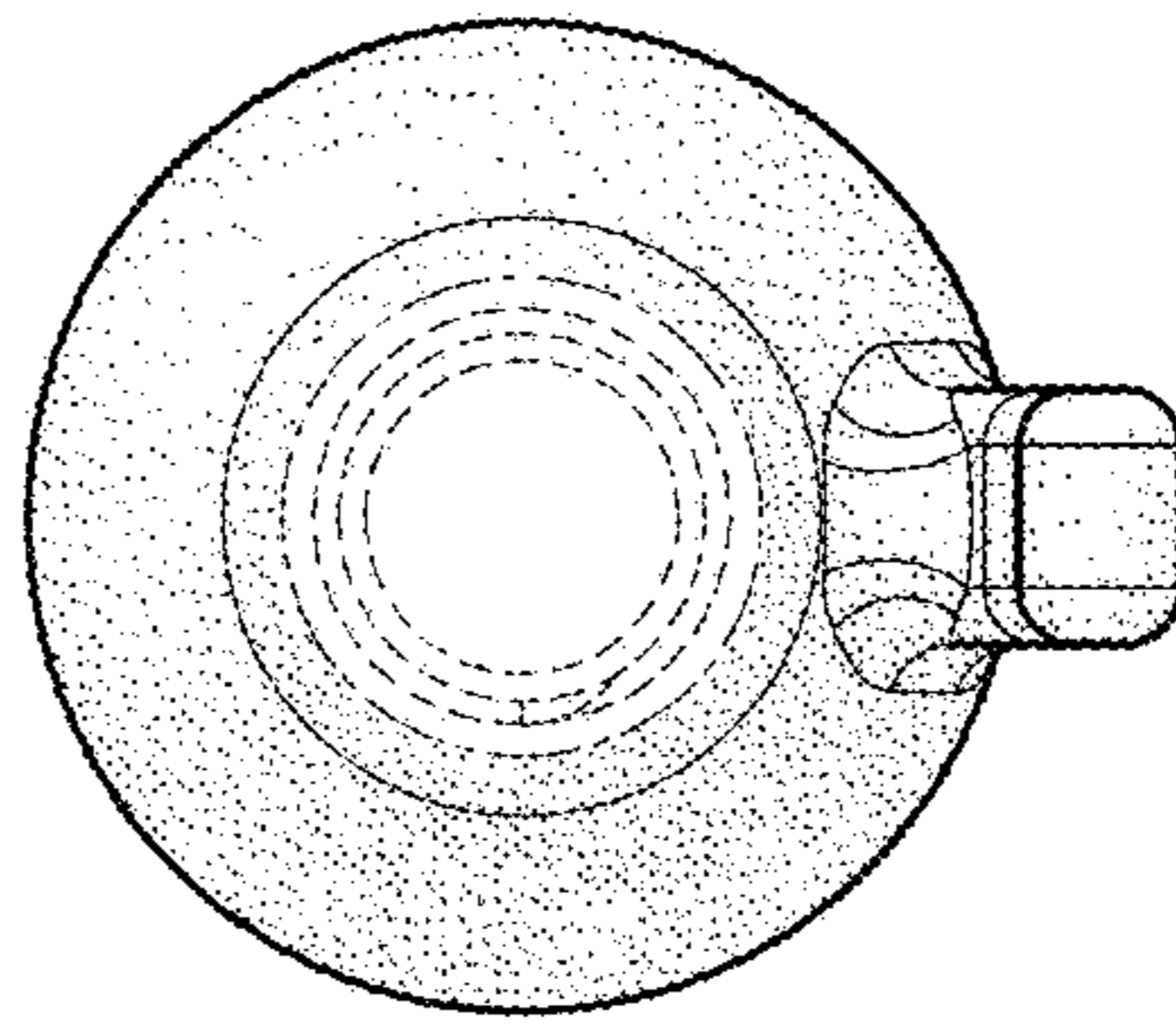


FIG. 7

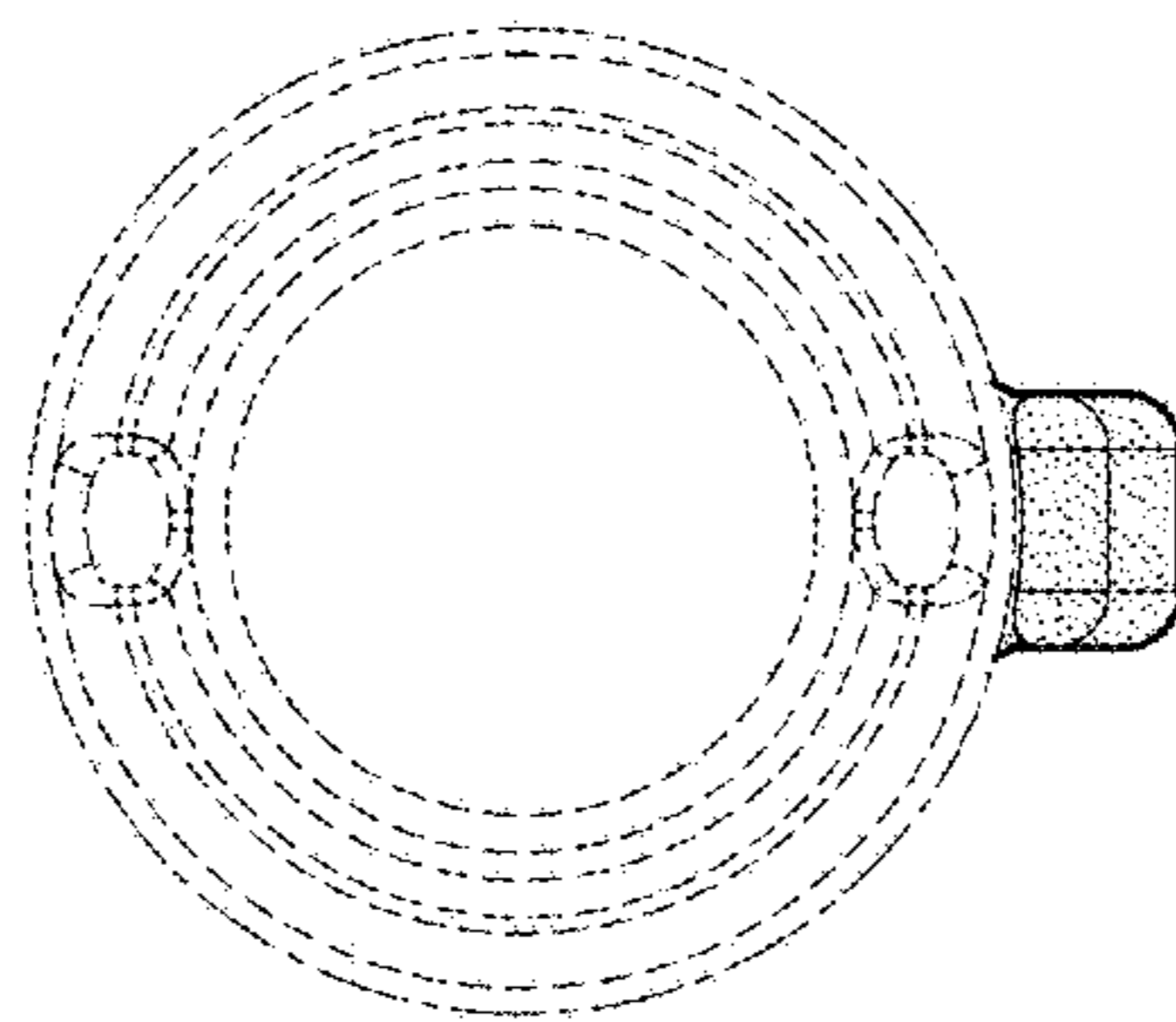


FIG. 8