



US00D801814S

(12) **United States Design Patent** (10) **Patent No.:** **US D801,814 S**
Liu et al. (45) **Date of Patent:** **** Nov. 7, 2017**

(54) **TRANSPARENT PLASTIC PREFORM**
(71) Applicants: **Chun Ten Liu**, Taichung (TW); **Chang Hsien Liu**, Taoyuan (TW)
(72) Inventors: **Chun Ten Liu**, Taichung (TW); **Chang Hsien Liu**, Taoyuan (TW)
(73) Assignee: **Chang Hsien Liu**, Taoyuan (TW)
(**) Term: **15 Years**

D560,969 S * 2/2008 Mansfield D7/509
D633,392 S * 3/2011 Northrop D9/500
D730,735 S * 6/2015 Sommer D9/500
2003/0138578 A1 * 7/2003 Schmidt A23L 3/3436
428/35.7
2007/0145079 A1 * 6/2007 Casamento B65D 83/38
222/386.5
2007/0241133 A1 * 10/2007 Smith B05B 11/0078
222/129
2008/0272145 A1 * 11/2008 Nimmo B65D 83/62
222/95

(21) Appl. No.: **29/555,739**
(22) Filed: **Feb. 24, 2016**
(51) **LOC (10) Cl.** **09-01**
(52) **U.S. Cl.**
USPC **D9/502**; D9/521
(58) **Field of Classification Search**
USPC D9/500-504, 505, 516, 519-521, 529,
D9/549, 558, 682, 686, 688-691, 551,
D9/553, 556; D28/4, 76-78, 82, 91;
D7/602, 537, 612, 615, 629; D12/197;
D8/399; 215/379, 381-382; 220/660,
220/669-673, 675; D24/121, 224
CPC ... B65D 1/00; B65D 1/02; B65D 1/07; B65D
1/0023; B65D 1/10; B65D 23/00; B65D
2501/00; B65D 2501/0009; B65D 33/00;
B65D 75/5872
See application file for complete search history.

FOREIGN PATENT DOCUMENTS

JP D1568170 * 1/2017
* cited by examiner

Primary Examiner — Anhdao Doan
Assistant Examiner — Mary Malley
(74) *Attorney, Agent, or Firm* — C. G. Mersereau;
Nikolai & Mersereau, P.C.

(57) **CLAIM**

The ornamental design for a transparent plastic preform, as shown and described.

DESCRIPTION

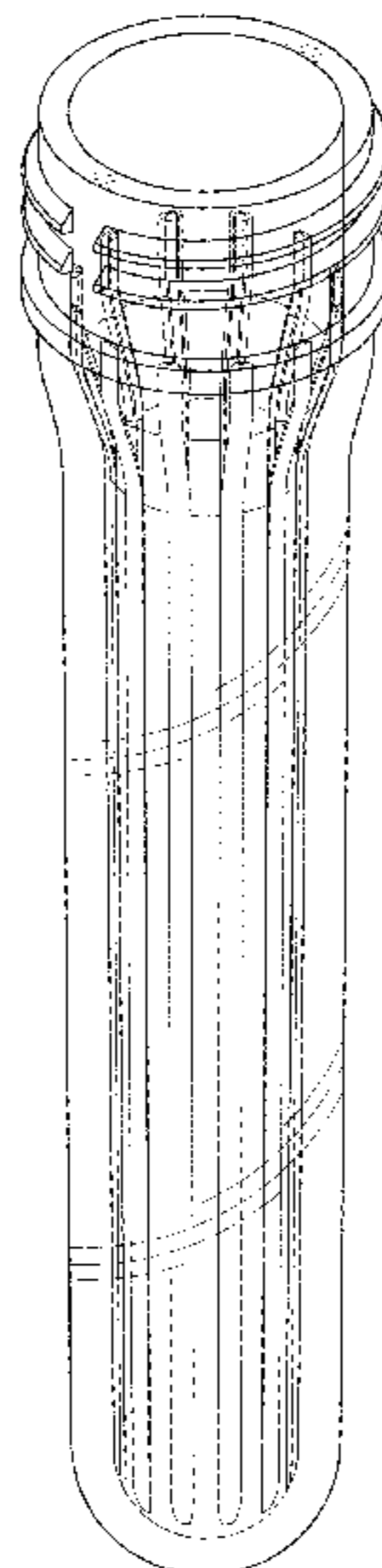
FIG. 1 is a perspective view of a transparent plastic preform showing my new design;
FIG. 2 is a front elevational view thereof;
FIG. 3 is a rear elevational view thereof;
FIG. 4 is a left side view thereof;
FIG. 5 is a right side view thereof;
FIG. 6 is a top plan view thereof;
FIG. 7 is a bottom plan view thereof;
FIG. 8 is a cross section view taken along line 8-8 of FIG. 2; and,
FIG. 9 is a cross section view taken along line 9-9 of FIG. 6.

1 Claim, 9 Drawing Sheets

(56) **References Cited**

U.S. PATENT DOCUMENTS

D34,226 S * 3/1901 Price D9/503
4,387,833 A * 6/1983 Venus, Jr. B65D 83/0061
222/105
D340,838 S * 11/1993 Lingo D7/523
D342,028 S * 12/1993 Stenger D24/224
D366,413 S * 1/1996 Tober D9/429
D386,403 S * 11/1997 McGregor D28/7
D399,571 S * 10/1998 Kelly D24/224



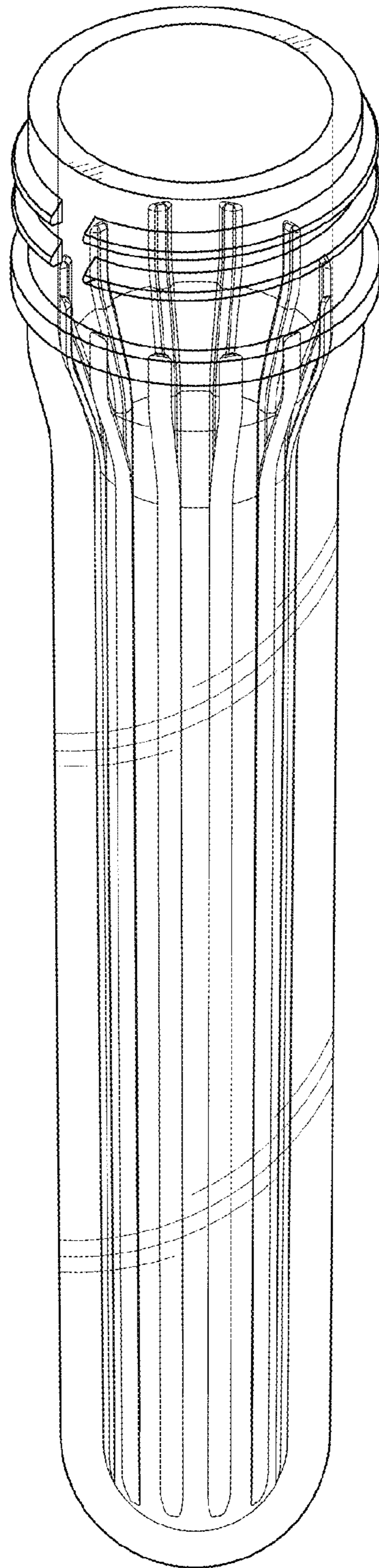


FIG. 1

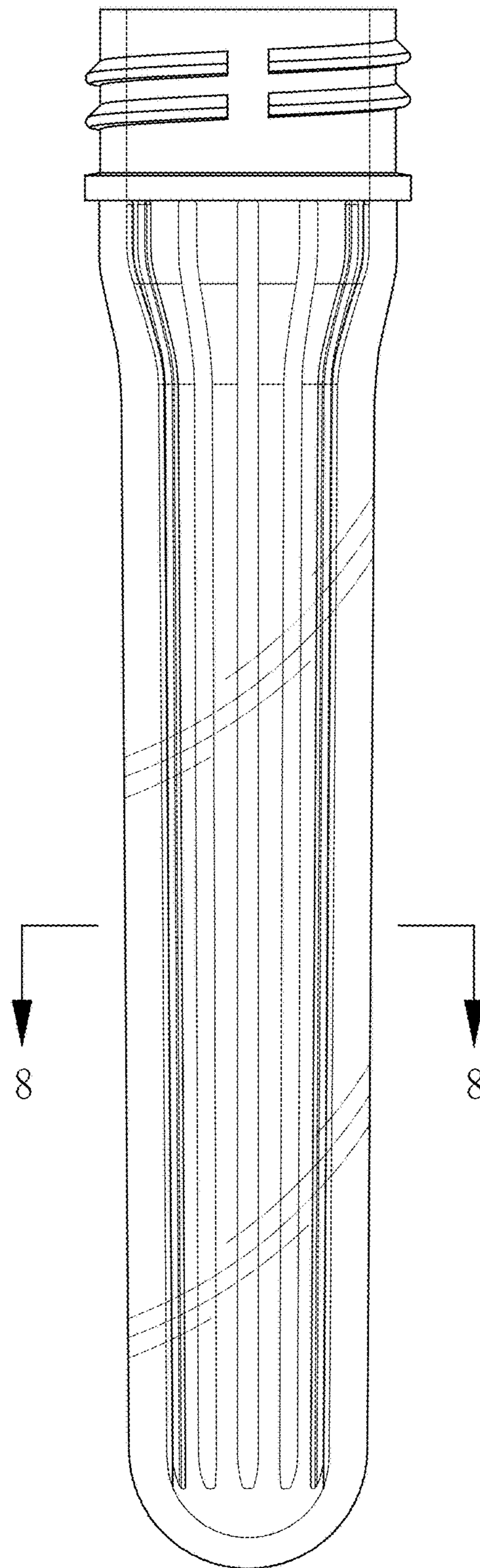


FIG. 2

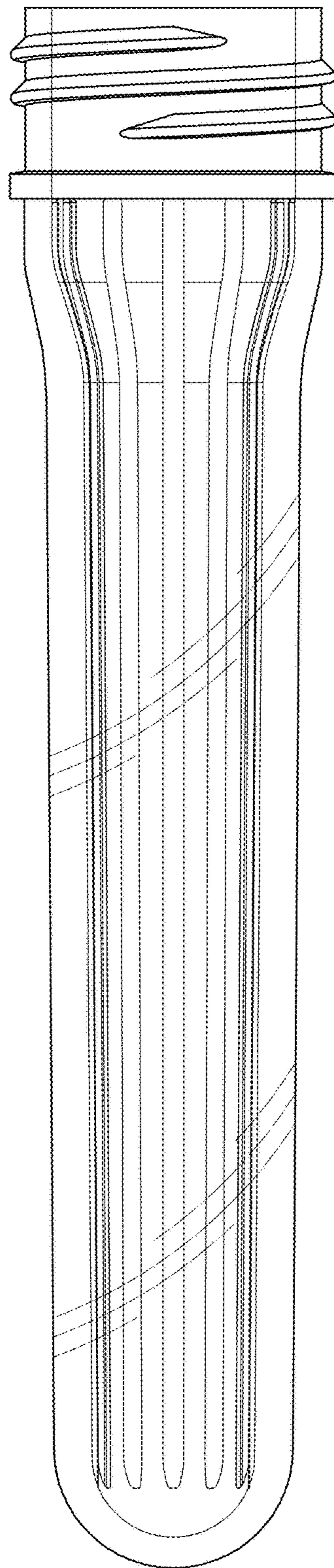


FIG. 3

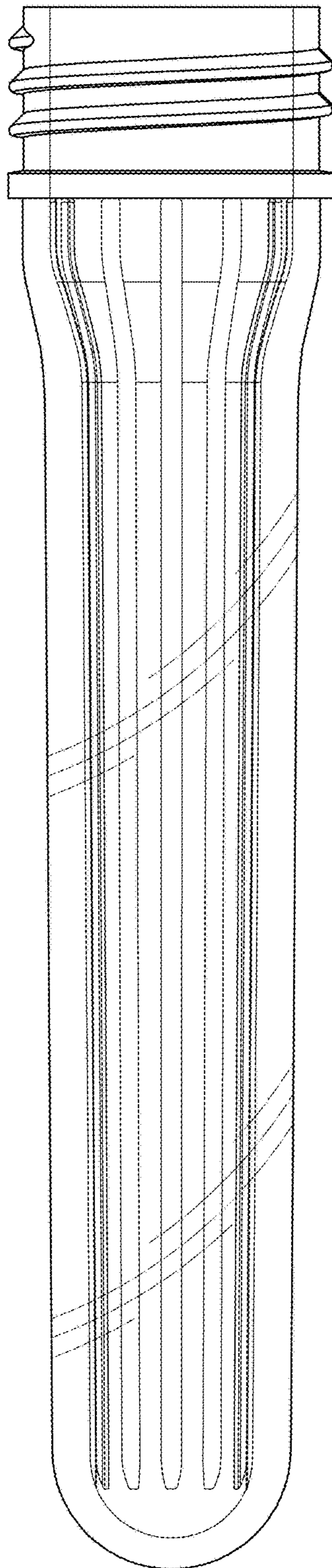


FIG. 4

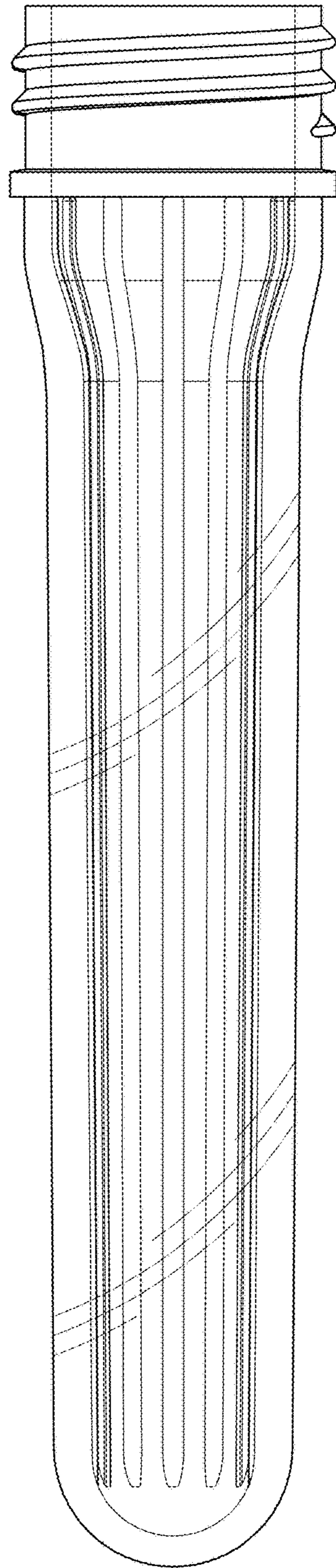


FIG. 5

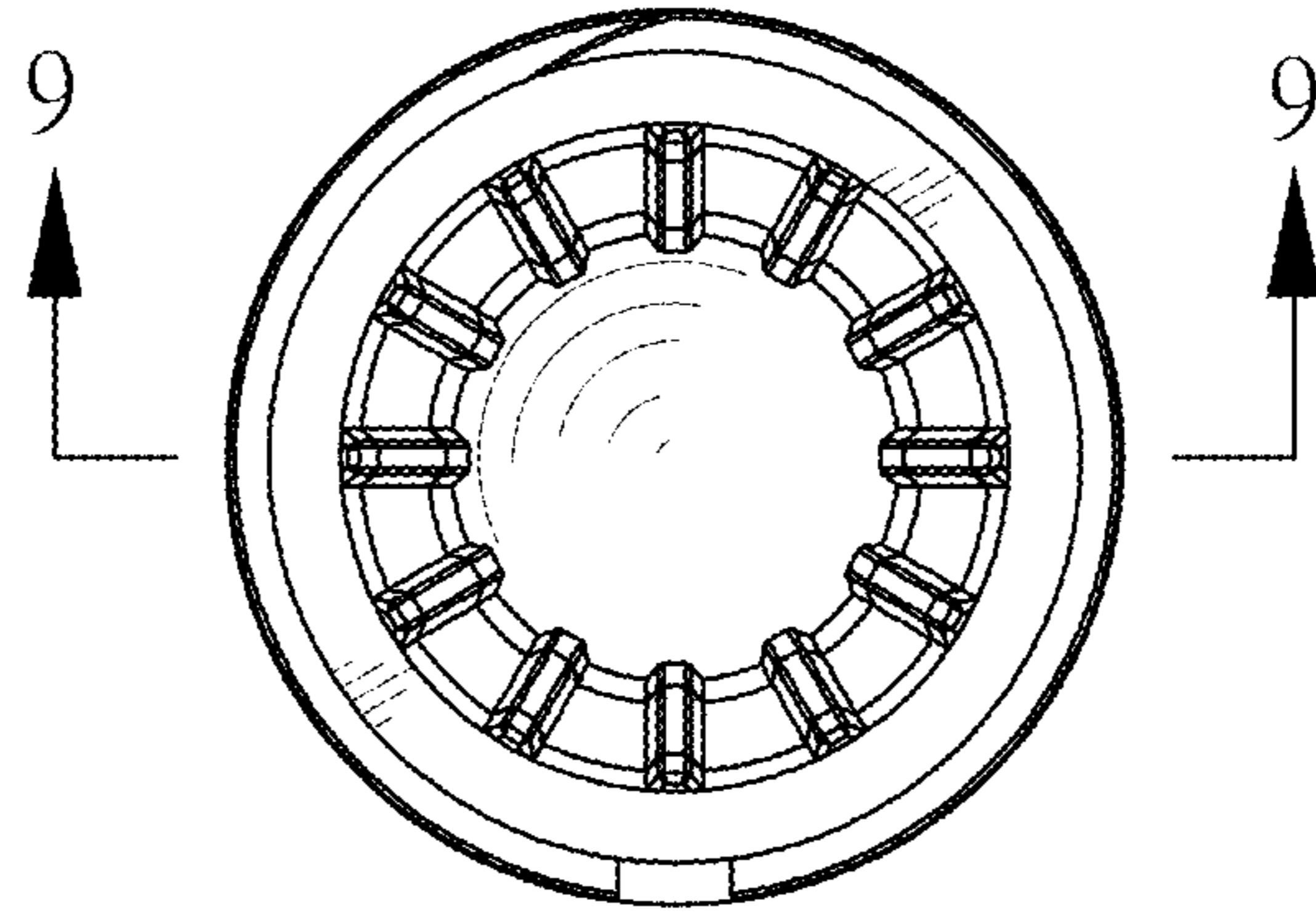


FIG. 6

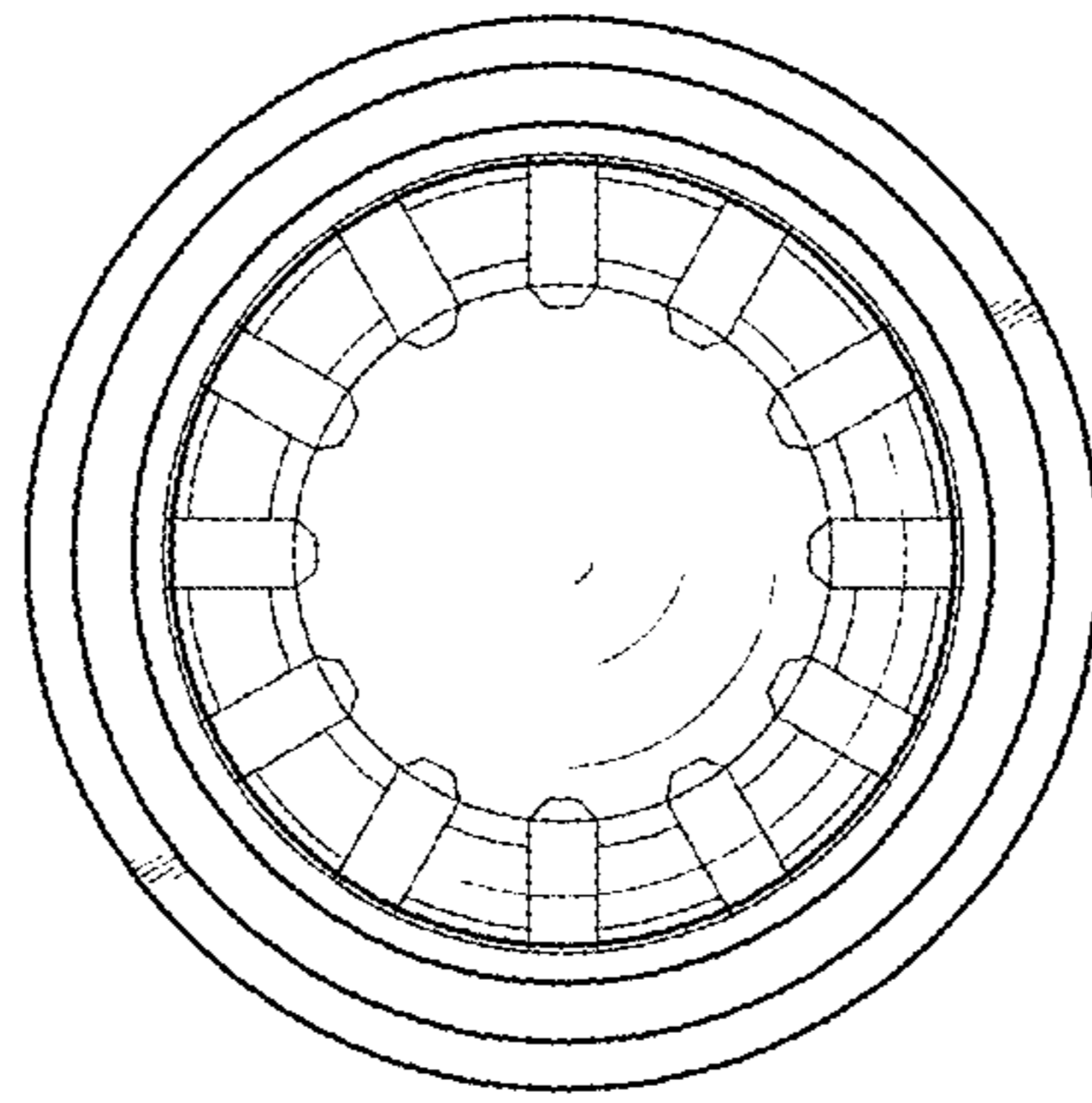


FIG. 7

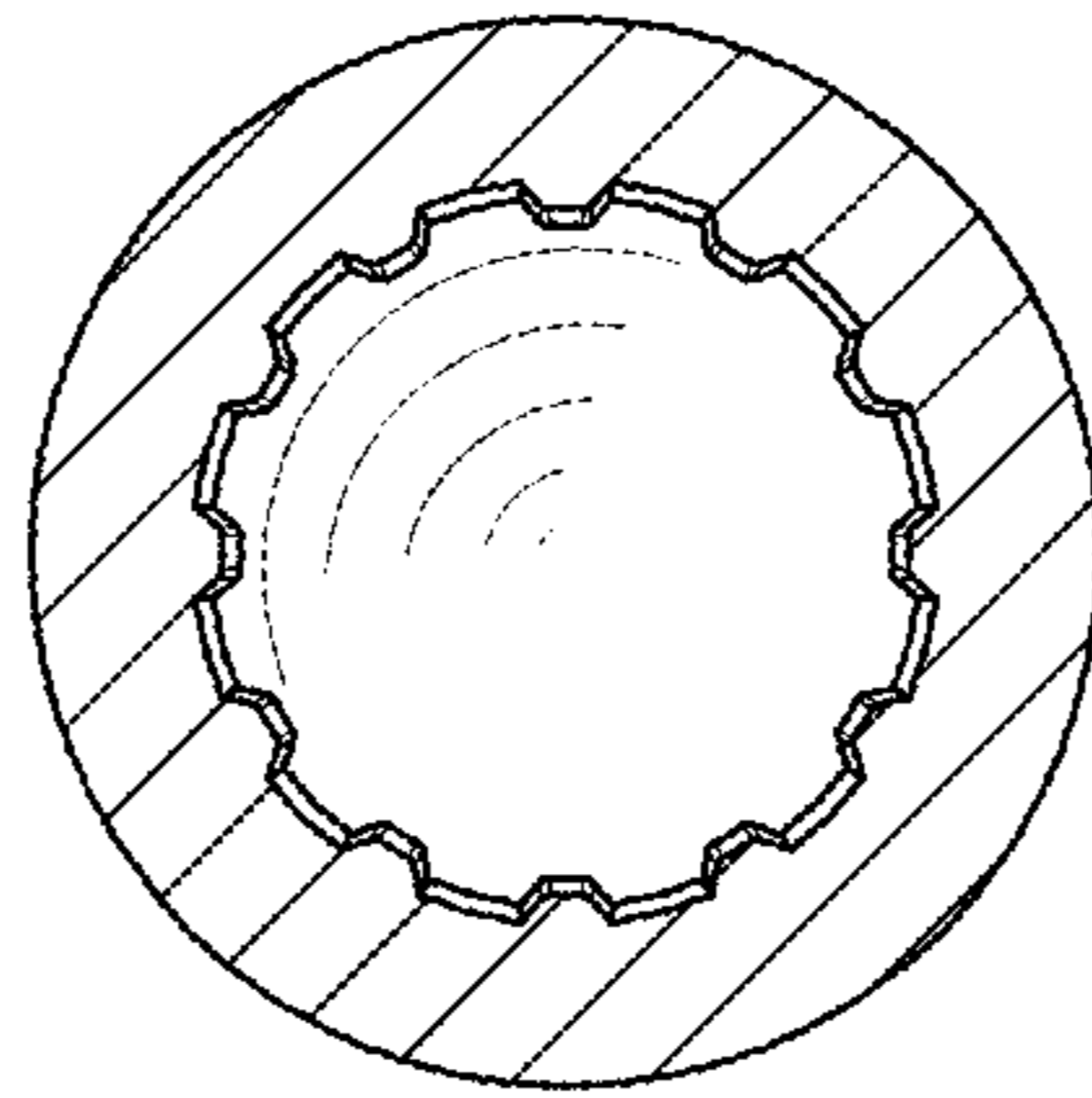


FIG. 8

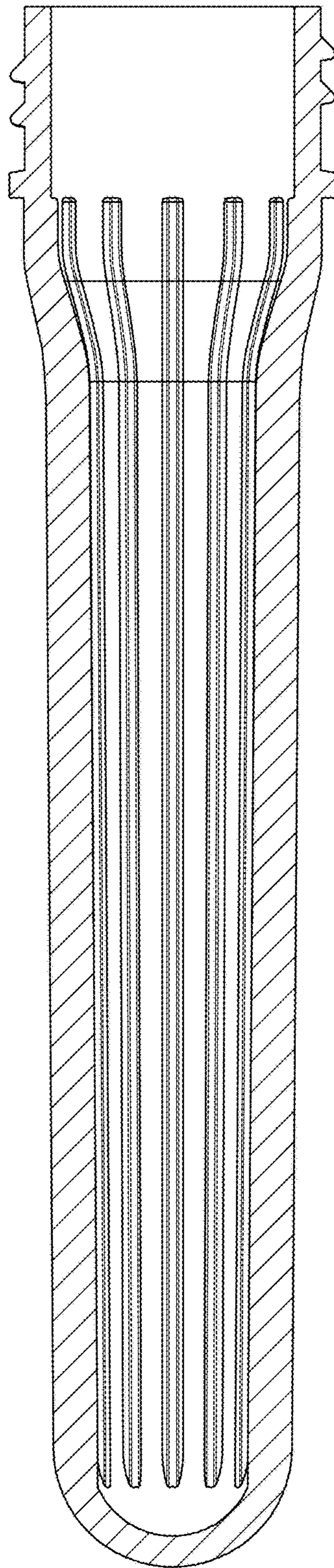


FIG. 9