



US00D801812S

(12) **United States Design Patent** (10) **Patent No.:** **US D801,812 S**
Wei (45) **Date of Patent:** **** Nov. 7, 2017**

(54) **SEAL SHEET FOR PACKAGING CONTAINER**

(71) Applicant: **Seal and Pack Co., LTD**, Icheon-si, Gyeonggi-do (KR)

(72) Inventor: **Se Hwang Wei**, Gyeonggi-do (KR)

(73) Assignee: **SEAL AND PACK CO., LTD**, Icheon-si, Gyeonggi-Do (KR)

(**) Term: **15 Years**

(21) Appl. No.: **29/572,516**

(22) Filed: **Jul. 28, 2016**

(30) **Foreign Application Priority Data**

Jan. 29, 2016 (KR) 30-2016-0004683

(51) **LOC (10) Cl.** **09-07**

(52) **U.S. Cl.**
USPC **D9/438**

(58) **Field of Classification Search**
USPC D3/201, 202, 318; D9/416, 419, D9/434-438, 440, 443, 445, 447, 449, D9/454, 456, 499

CPC B65D 17/165; B65D 51/245
See application file for complete search history.

(56) **References Cited**

U.S. PATENT DOCUMENTS

- D215,923 S * 11/1969 Zundel D9/438
- 4,020,969 A * 5/1977 Ando B65D 77/206
220/359.2
- D345,889 S * 4/1994 Herricks D7/392.1
- D403,467 S * 12/1998 Krawec D27/190
- D407,944 S * 4/1999 Filbrun D7/388
- D458,129 S * 6/2002 Foster D9/434
- D468,202 S * 1/2003 Chou D9/425
- D545,616 S * 7/2007 Goodman D7/387
- D564,351 S * 3/2008 Leclerc D9/434

- D574,703 S * 8/2008 Cassol D9/416
- D592,508 S * 5/2009 Perignon D9/434
- D592,509 S * 5/2009 Lecoutre D9/434
- D604,157 S * 11/2009 Reiterer D9/416
- D625,183 S * 10/2010 Bartsch D9/434
- D632,563 S * 2/2011 Sitabkhan D9/435

(Continued)

OTHER PUBLICATIONS

Seal Pack. Application. May 10, 2014 [earliest online date], [site visited Apr. 28, 2017]. Available from Internet, <URL:http://www.sealpack.com/prodGude.asp>.*

(Continued)

Primary Examiner — Robert M Spear

Assistant Examiner — Darcey E Heflin

(74) *Attorney, Agent, or Firm* — Wenderoth, Lind & Ponack, L.L.P.

(57) **CLAIM**

The ornamental design for a seal sheet for packaging container, as shown and described.

DESCRIPTION

FIG. 1 is a top, right and left perspective side view showing my new design;

FIG. 2 is a front elevational view thereof;

FIG. 3 is a back elevational view thereof;

FIG. 4 is a left side elevational view thereof;

FIG. 5 is a right side elevational view thereof;

FIG. 6 is a top plan view thereof;

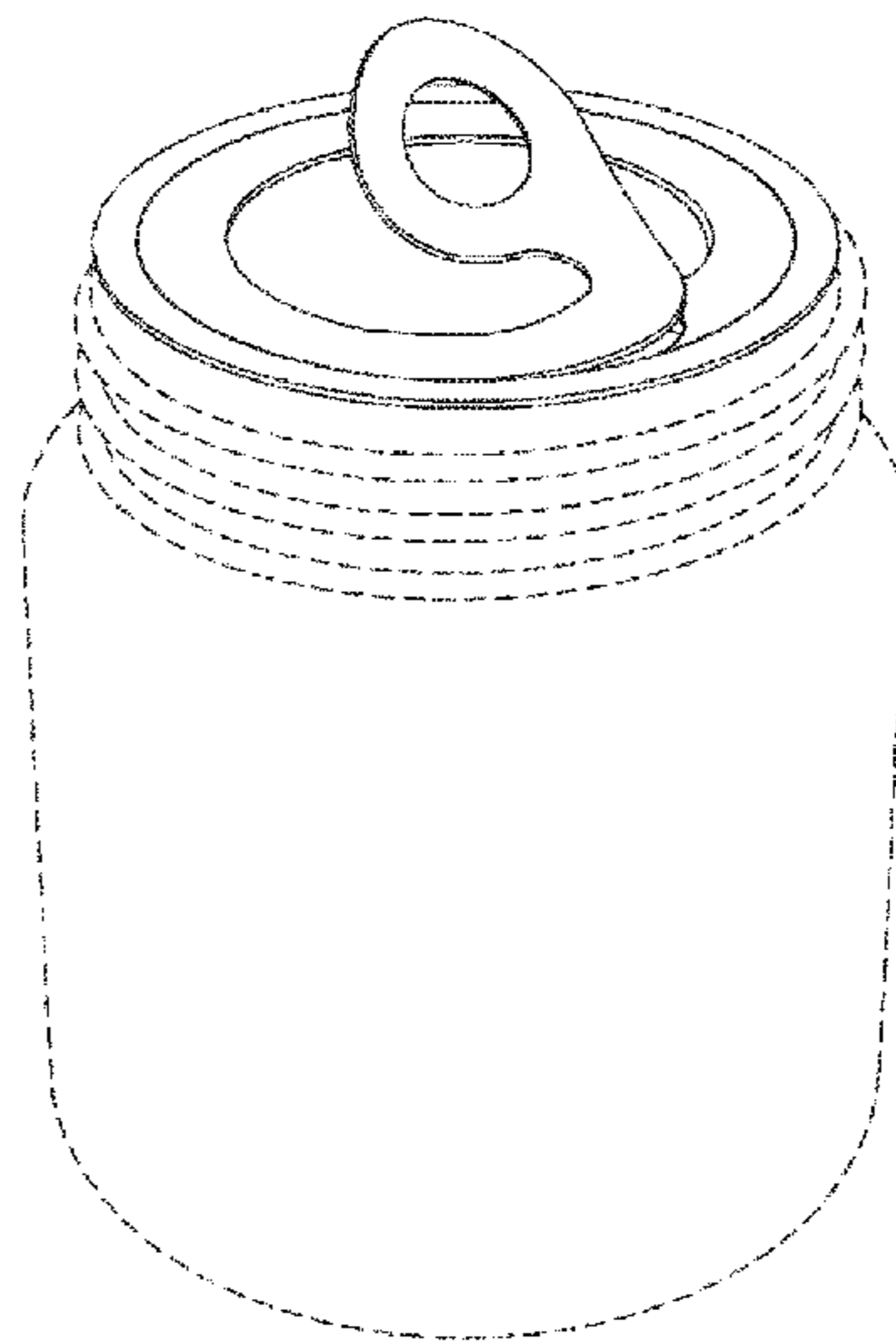
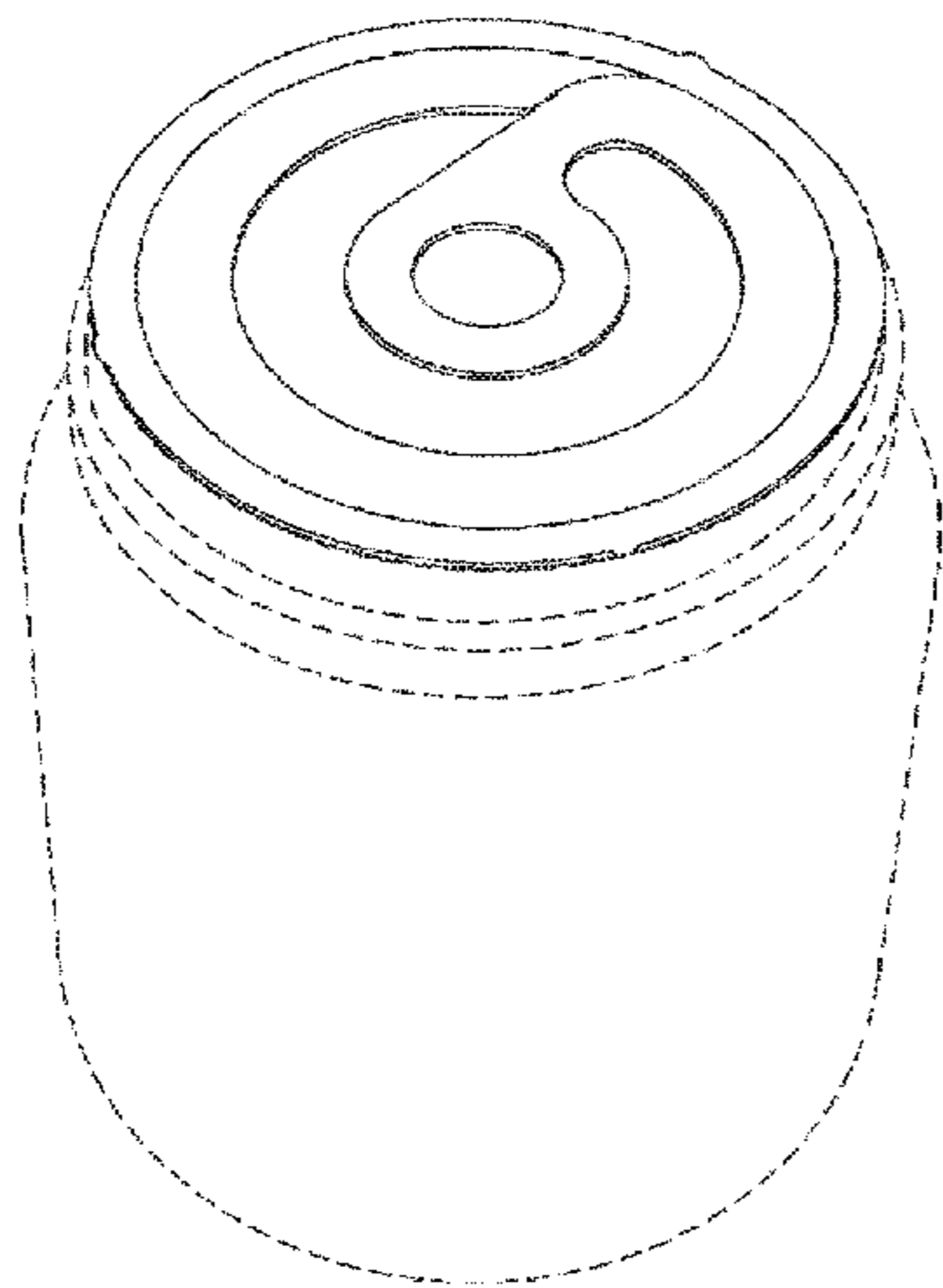
FIG. 7 is a bottom plan view thereof.

FIG. 8 is a perspective view showing the seal sheet of the present design in a closed position; and,

FIG. 9 is a perspective view showing the seal sheet of the present design in an intermediate opened position.

It is noted that the portions of the drawings indicated with broken lines illustrate environmental structure and form no part of the claimed design.

1 Claim, 4 Drawing Sheets



(56)

References Cited

U.S. PATENT DOCUMENTS

D641,209 S * 7/2011 Ablo D7/392.1
D642,463 S * 8/2011 Schedl D9/435
D656,020 S * 3/2012 Lee D7/396.2
D672,647 S * 12/2012 Hora D9/434
D679,586 S * 4/2013 Afford D9/425
D701,458 S * 3/2014 Gortot D9/434
D749,415 S * 2/2016 Scott D9/438
D750,488 S * 3/2016 Jacober D9/438
D757,537 S * 5/2016 Trombetta D9/428
D770,286 S * 11/2016 Trombetta D9/503
D778,157 S * 2/2017 Trombetta D9/438
2004/0013827 A1* 1/2004 Zuser B32B 7/06
428/34.1
2005/0218143 A1* 10/2005 Niederer B65D 77/206
220/359.2
2015/0166234 A1* 6/2015 Wei B65D 41/325
220/270
2015/0197385 A1* 7/2015 Wei B65D 77/2056
220/359.2
2016/0332771 A1* 11/2016 Wei B65D 17/165

OTHER PUBLICATIONS

Alibaba. Heat Induction Foil Seals. Jun. 5, 2016 [earliest online date], [site visited Apr. 28, 2017]. Available from Internet, <URL:<https://www.alibaba.com/showroom/heat-induction-foil-seals.html>>.*

* cited by examiner

Fig. 1

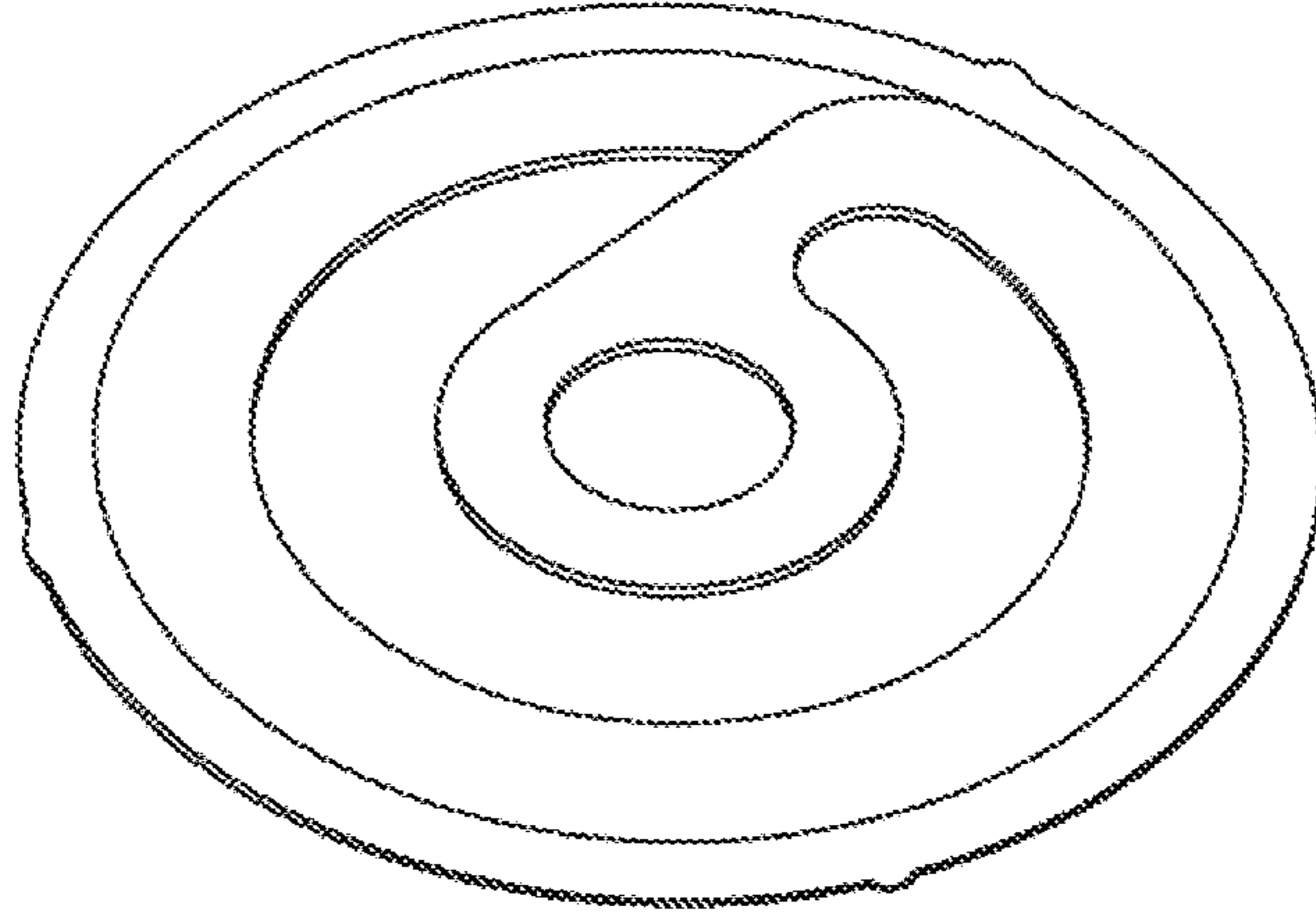


Fig. 2

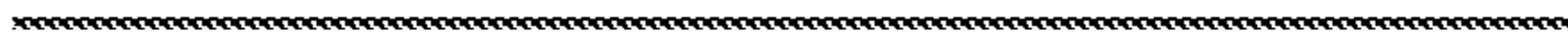


Fig. 3

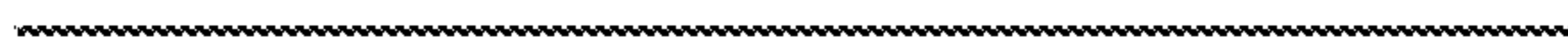


Fig. 4

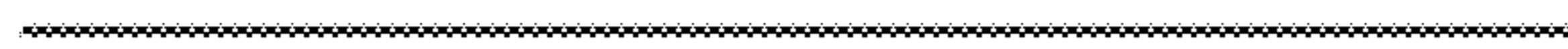


Fig. 5



Fig. 6

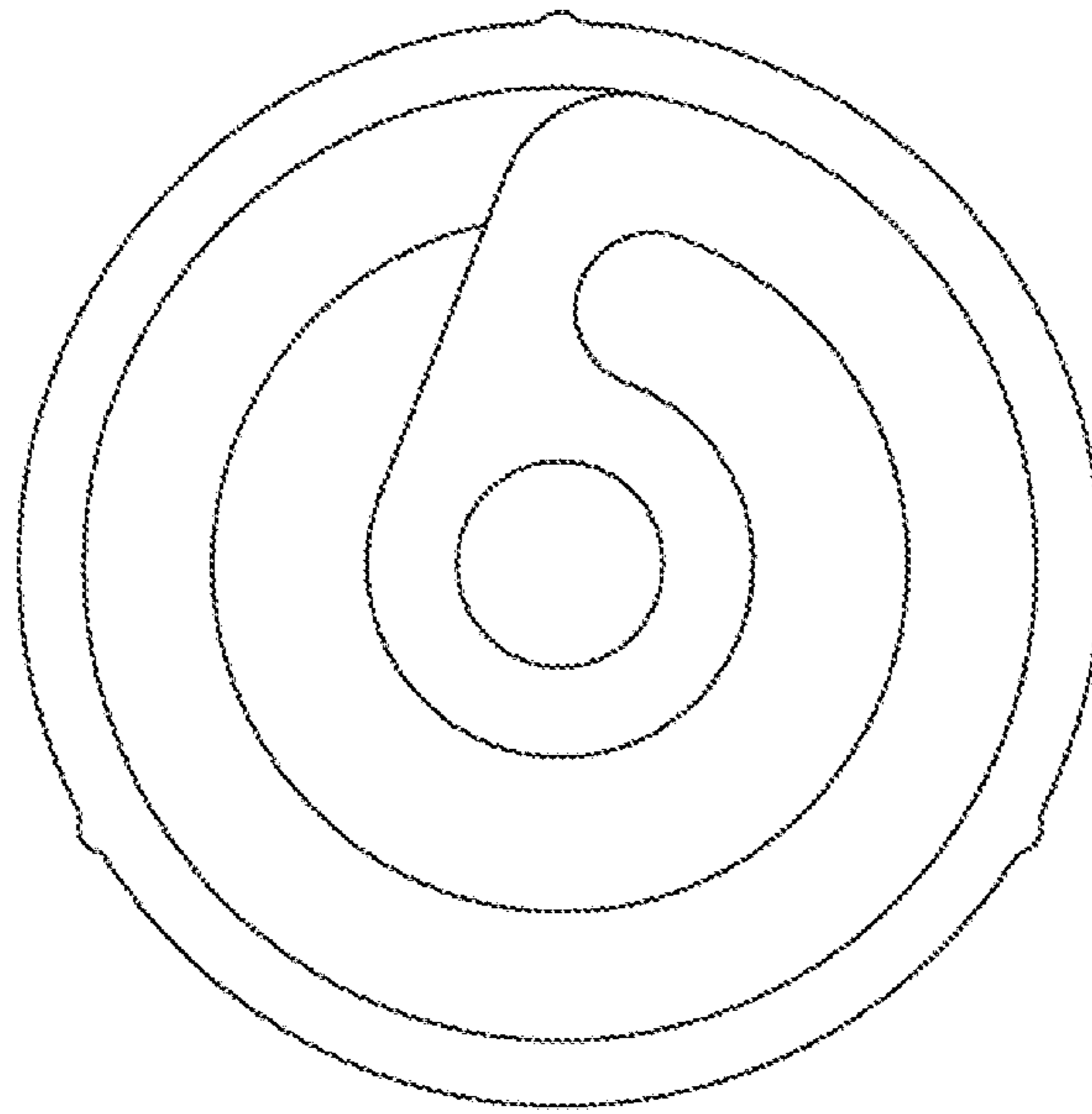


Fig. 7

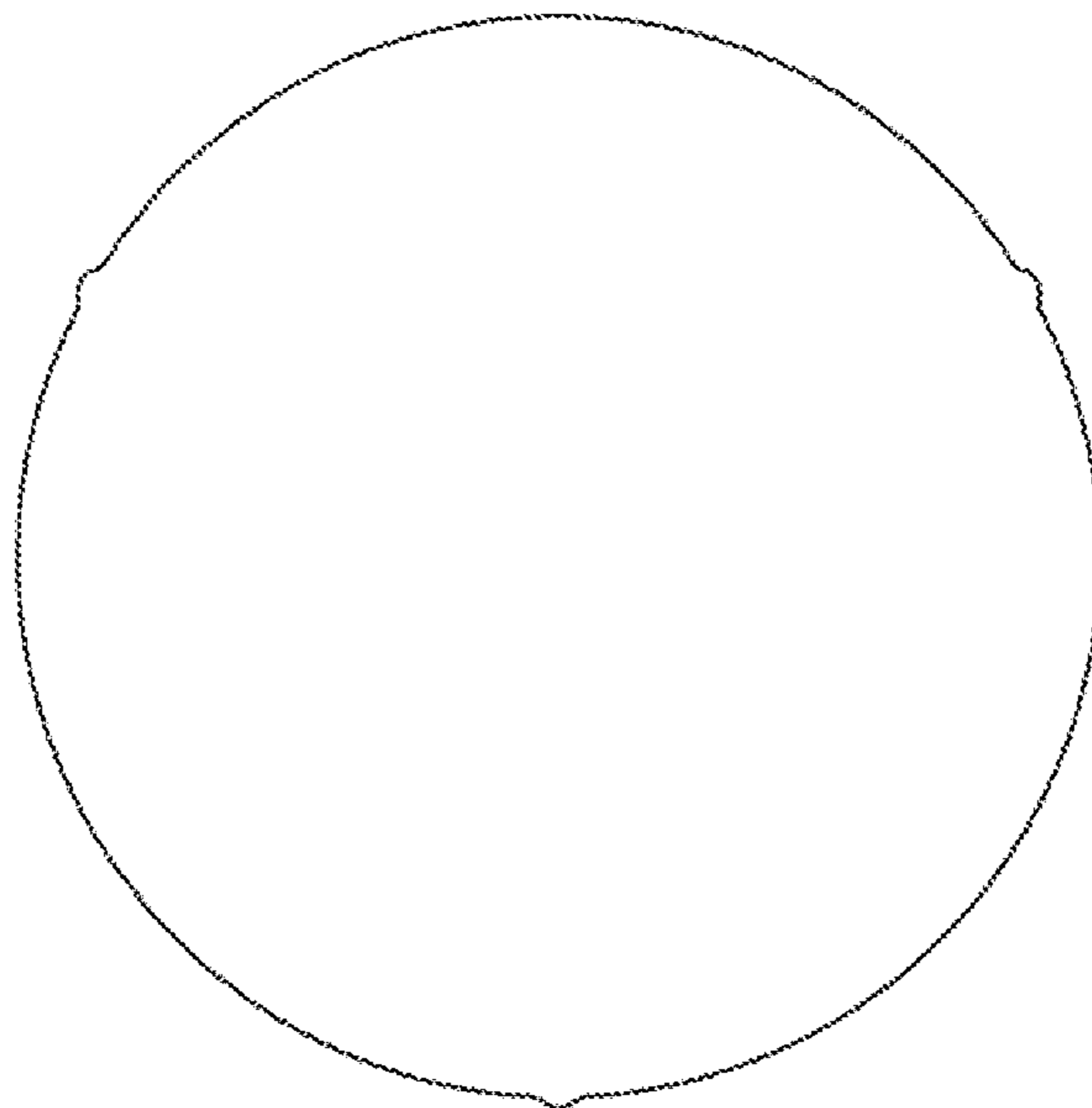


Fig. 8

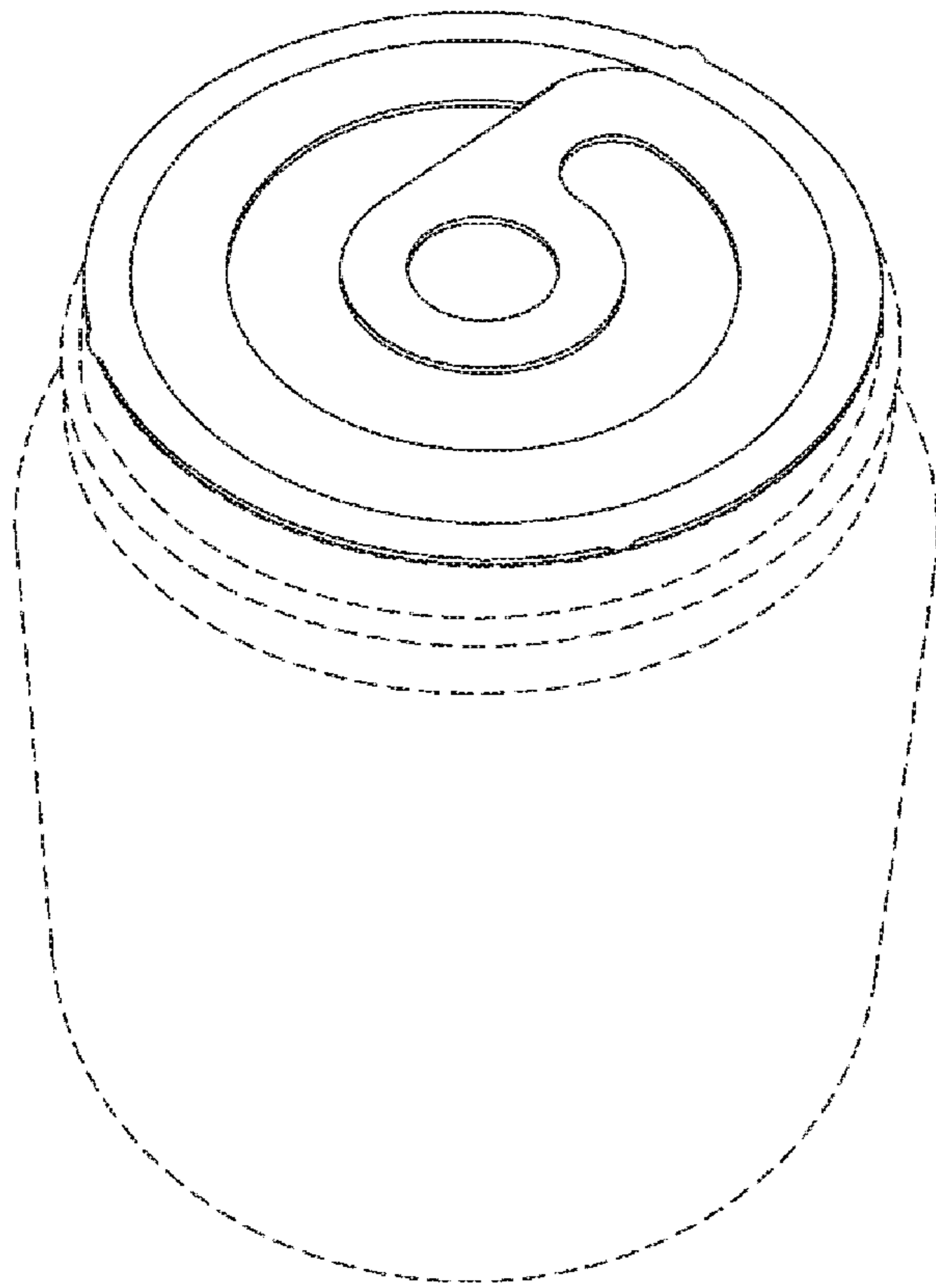


Fig. 9

