



US00D801809S

(12) **United States Design Patent**
Mould et al.

(10) **Patent No.:** **US D801,809 S**

(45) **Date of Patent:** **** Nov. 7, 2017**

(54) **CAPSULE NOZZLE**

(71) Applicant: **Mars, Inc.**, McLean, VA (US)

(72) Inventors: **Phil Mould**, Basingstoke (GB); **Peter Austin**, Basingstoke (GB); **Darren Nicholls**, Basingstoke (GB)

(73) Assignee: **Mars, Incorporated**, McLean, VA (US)

(**) Term: **14 Years**

(21) Appl. No.: **29/524,670**

(22) Filed: **Apr. 22, 2015**

(51) **LOC (10) Cl.** **09-07**

(52) **U.S. Cl.**

USPC **D9/434**; D24/100

(58) **Field of Classification Search**

USPC D24/100, 115; D9/740, 683, 523, 442,
D9/436, 435, 434

CPC B65D 1/095; B65D 1/0238; B65D 47/10;
B65D 47/36; B65D 75/5883; A61J 1/067

See application file for complete search history.

(56) **References Cited**

U.S. PATENT DOCUMENTS

D242,742 S *	12/1976	Christine	D24/115
D347,390 S *	5/1994	Kovacic	D9/539
D350,694 S *	9/1994	Kovacic	D9/434
D398,838 S *	9/1998	Nielsen	D24/115
D403,960 S *	1/1999	Stromblad	D9/442
5,908,124 A *	6/1999	Klauke	B65D 1/0238 215/42
D430,664 S *	9/2000	Poynter	D24/115
D434,143 S *	11/2000	Poynter	D24/115
6,543,655 B1 *	4/2003	de Laforcade	B65D 47/36 222/541.9
D509,754 S *	9/2005	Scott, III	D9/740
D532,295 S *	11/2006	Stull	D9/435
D544,958 S *	6/2007	Wurtz	D24/115
7,810,680 B2 *	10/2010	Stull	B65D 47/10 215/253
D670,165 S *	11/2012	Ishizawa	D9/436

D675,924 S *	2/2013	Weiler	D9/435
D675,925 S *	2/2013	Weiler	D9/435
D684,259 S *	6/2013	Mehta	D24/115
2002/0134374 A1 *	9/2002	Loeffler	A61J 1/065 128/200.14

(Continued)

OTHER PUBLICATIONS

http://www.packworld.com/sustainability/recycling/mars-drinks-debuts-100-recyclable-freshpack.*

Primary Examiner — Charles Hanson

(74) *Attorney, Agent, or Firm* — Greenberg Traurig, LLP

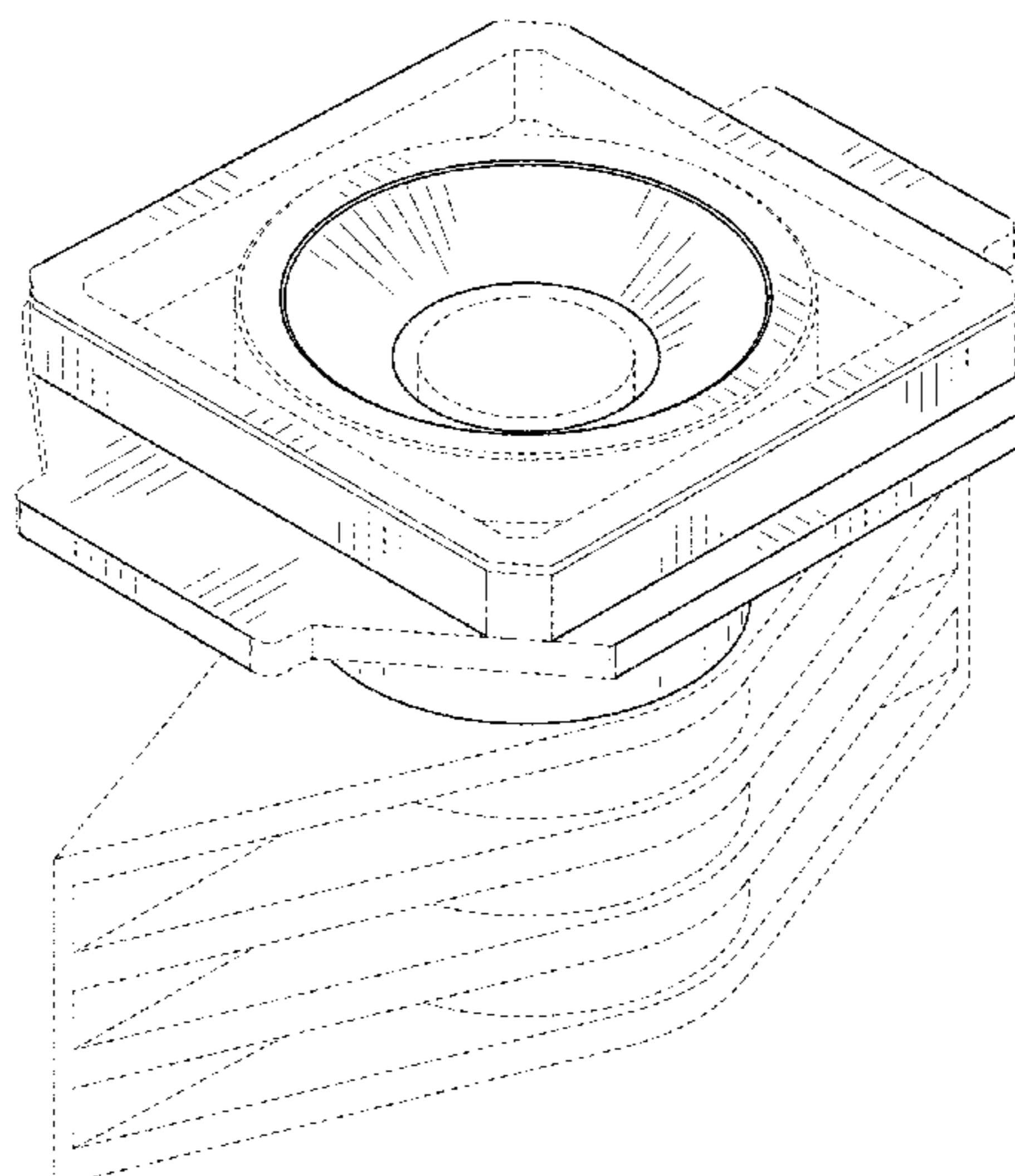
(57) **CLAIM**

The ornamental design for a capsule nozzle, as shown and described.

DESCRIPTION

FIG. 1 is a perspective view of the capsule nozzle;
 FIG. 2 is a front view of the capsule nozzle shown in FIG. 1, the rear view is identical to the front view;
 FIG. 3 is a side view of the capsule nozzle shown in FIG. 1, the opposite side view is identical;
 FIG. 4 is a top plan view of the capsule nozzle shown in FIG. 1;
 FIG. 5 is a bottom plan view of the capsule nozzle shown in FIG. 1;
 FIG. 6 is a fragmentary horizontal sectional view taken through the center line of the capsule nozzle shown in FIG. 4; and,
 FIG. 7 is a further front view of the capsule nozzle shown in FIG. 1, inserted in a capsule.
 The broken line showing portions of the capsule nozzle head and capsule nozzle base are included for the purpose of illustrating unclaimed subject matter and forms no part of the claimed design.

1 Claim, 7 Drawing Sheets



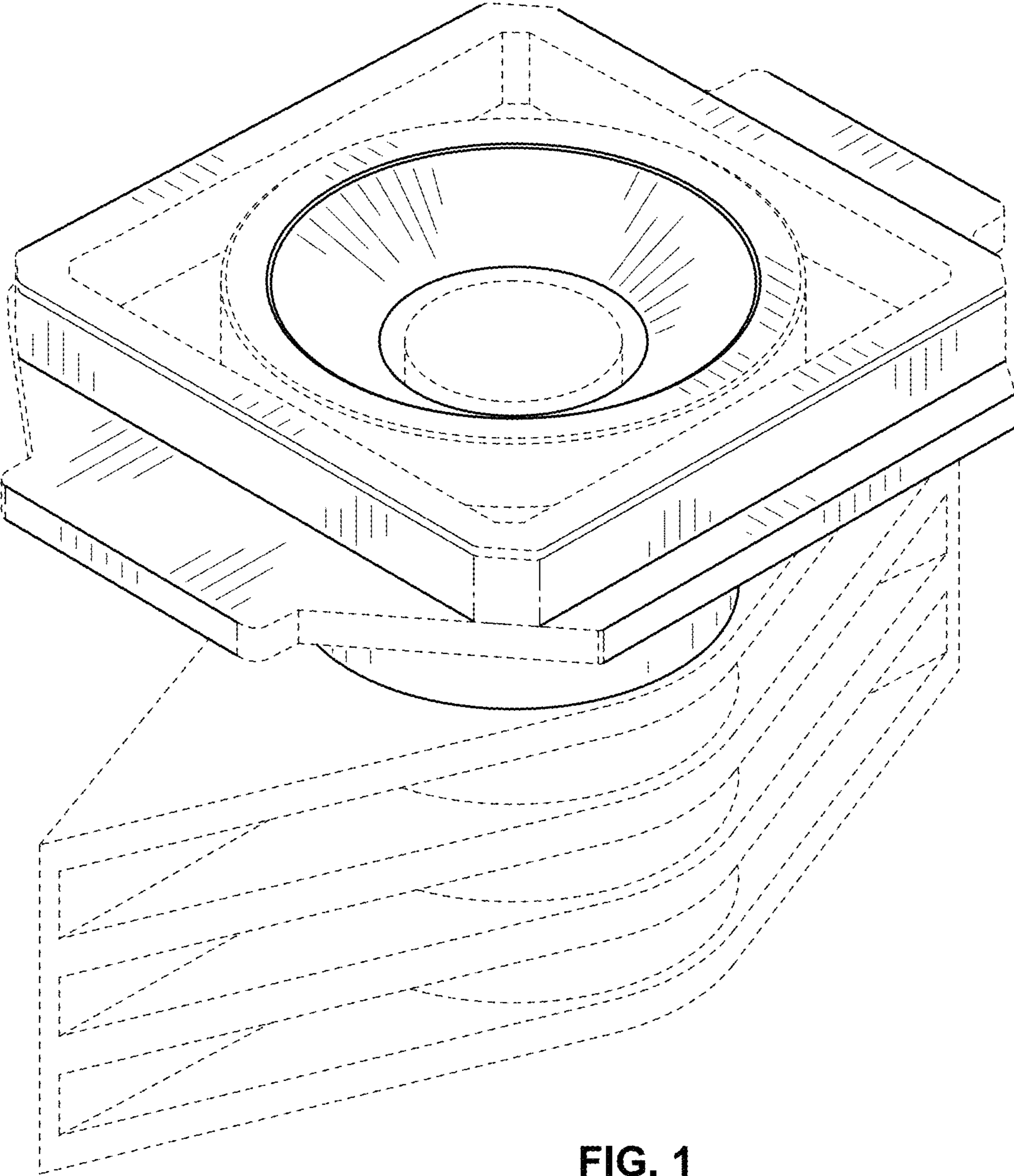
(56)

References Cited

U.S. PATENT DOCUMENTS

2002/0180114 A1* 12/2002 Cargile B65D 35/08
264/524
2003/0145634 A1* 8/2003 Price A47L 25/08
68/213
2004/0253039 A1* 12/2004 Stenton A61M 35/003
401/132
2008/0105581 A1* 5/2008 Kondo B65B 3/003
206/438
2012/0191067 A1* 7/2012 Chia A61M 5/282
604/506
2014/0287104 A1* 9/2014 Austin B65D 85/8043
426/115

* cited by examiner



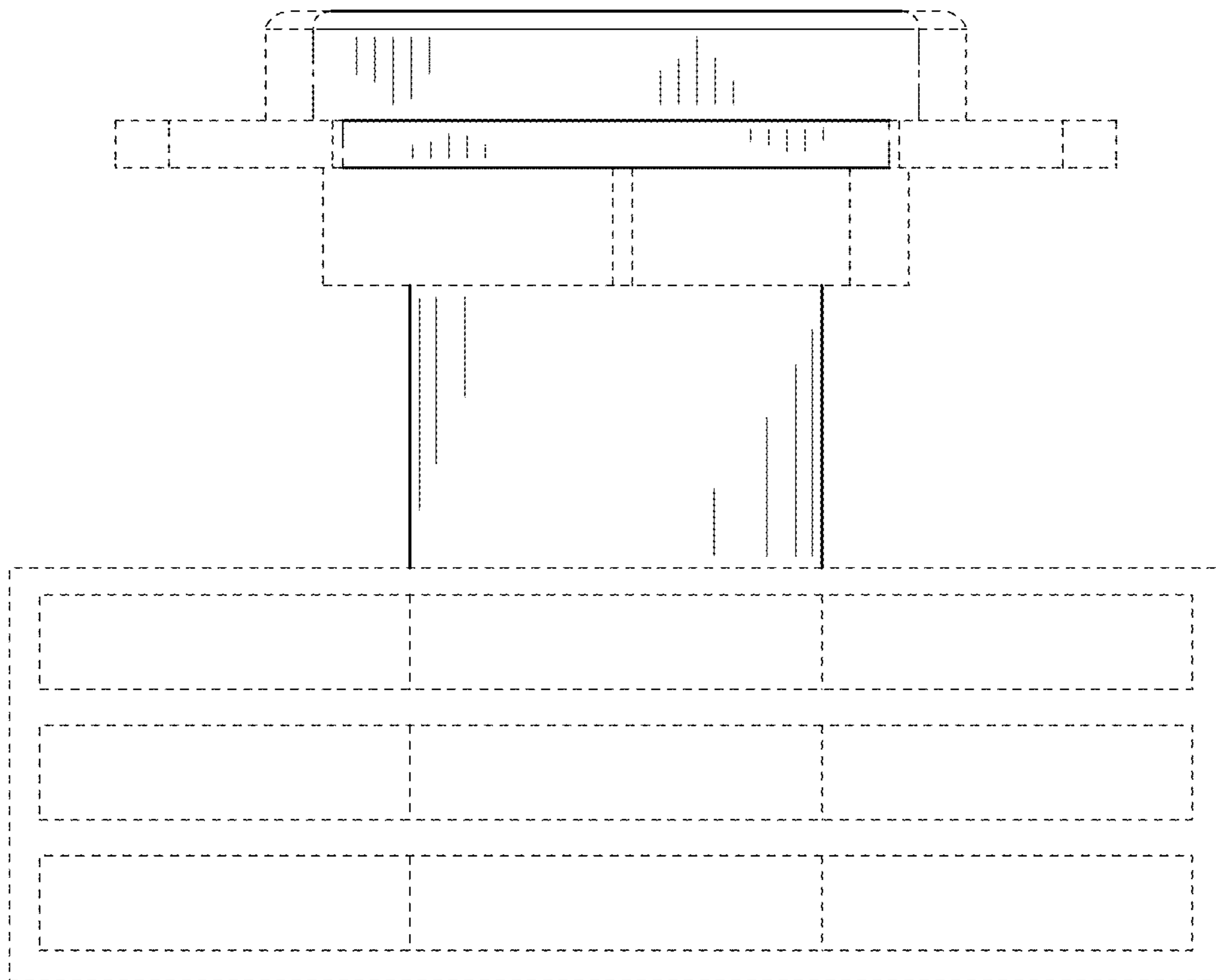


FIG. 2

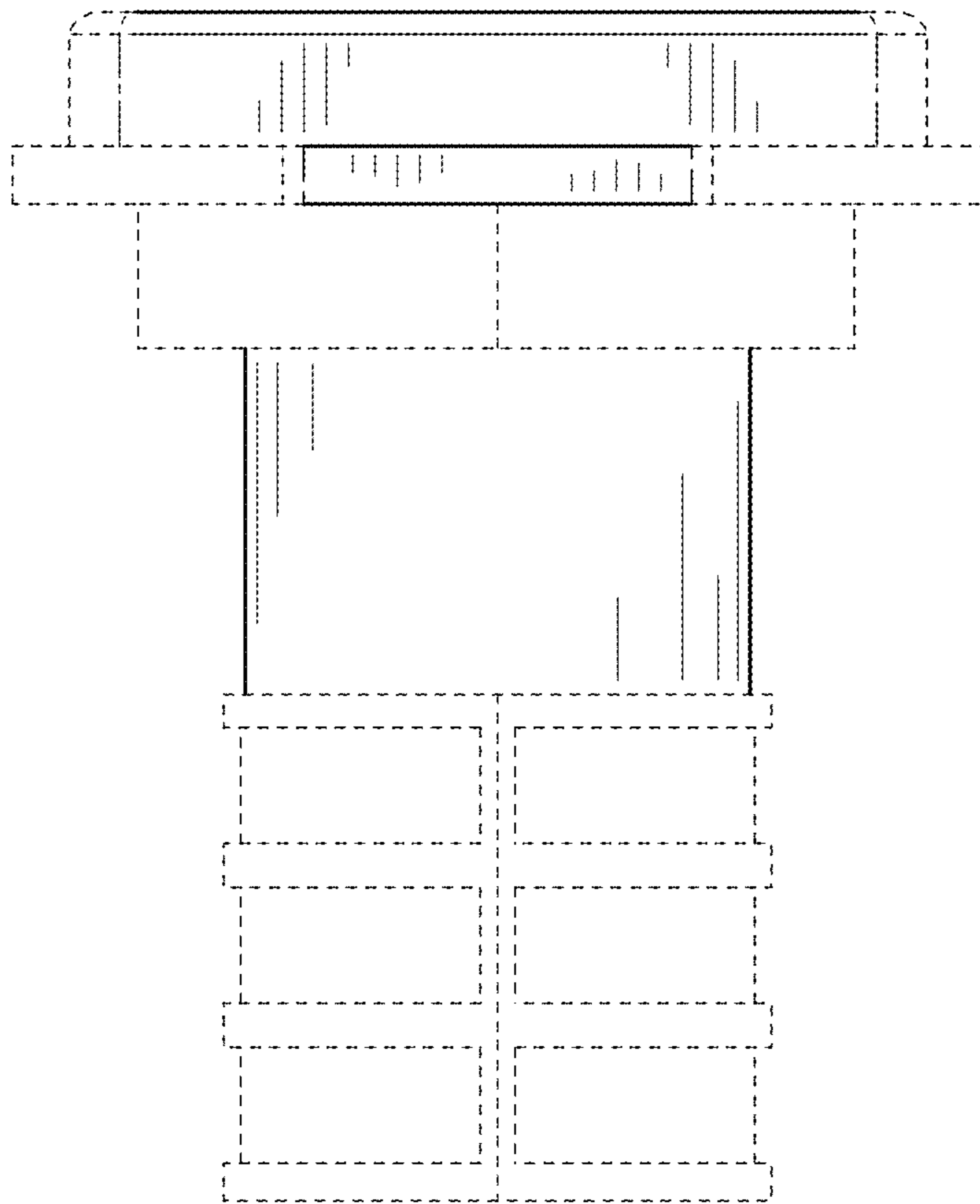


FIG. 3

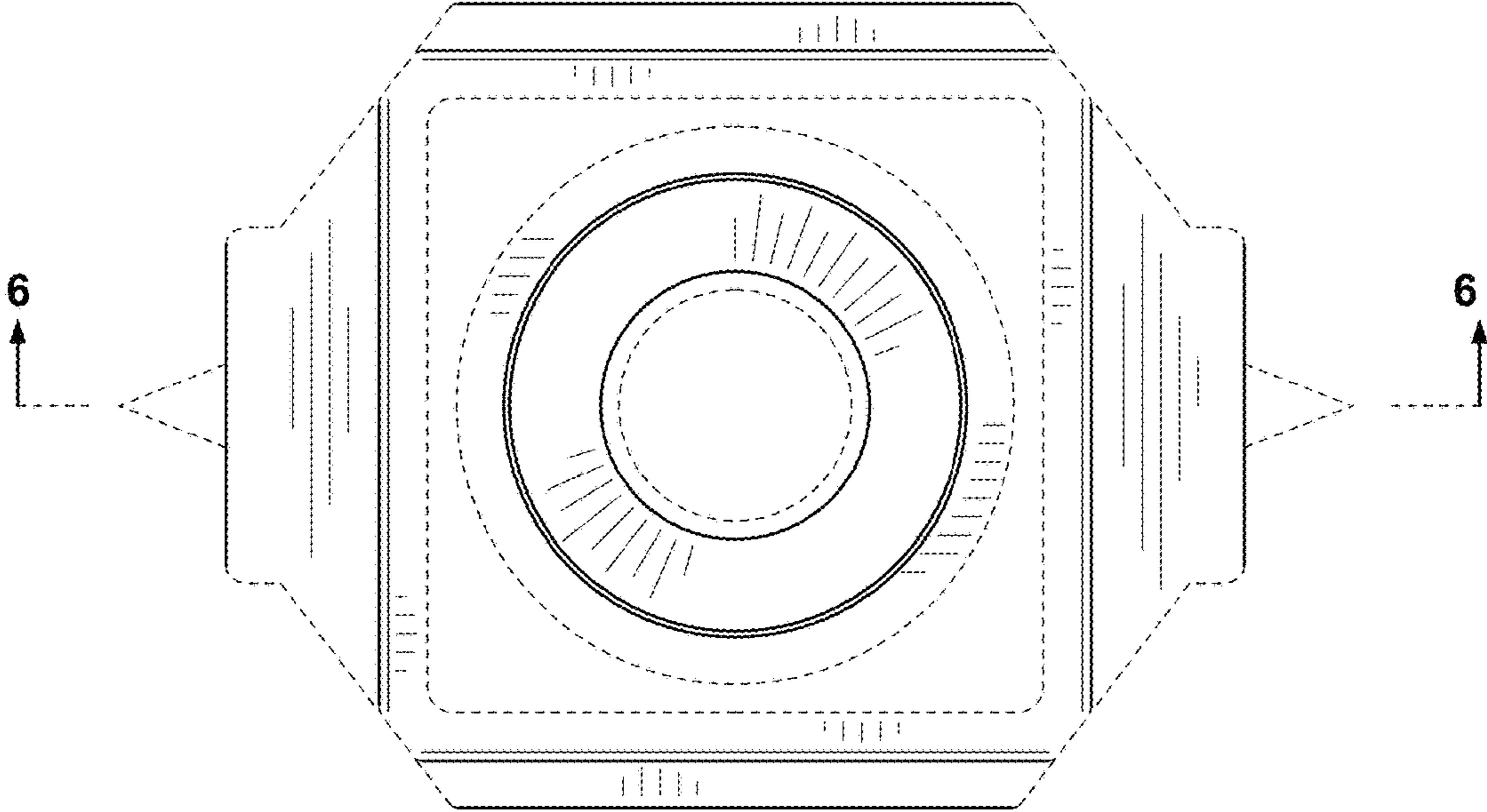


FIG. 4

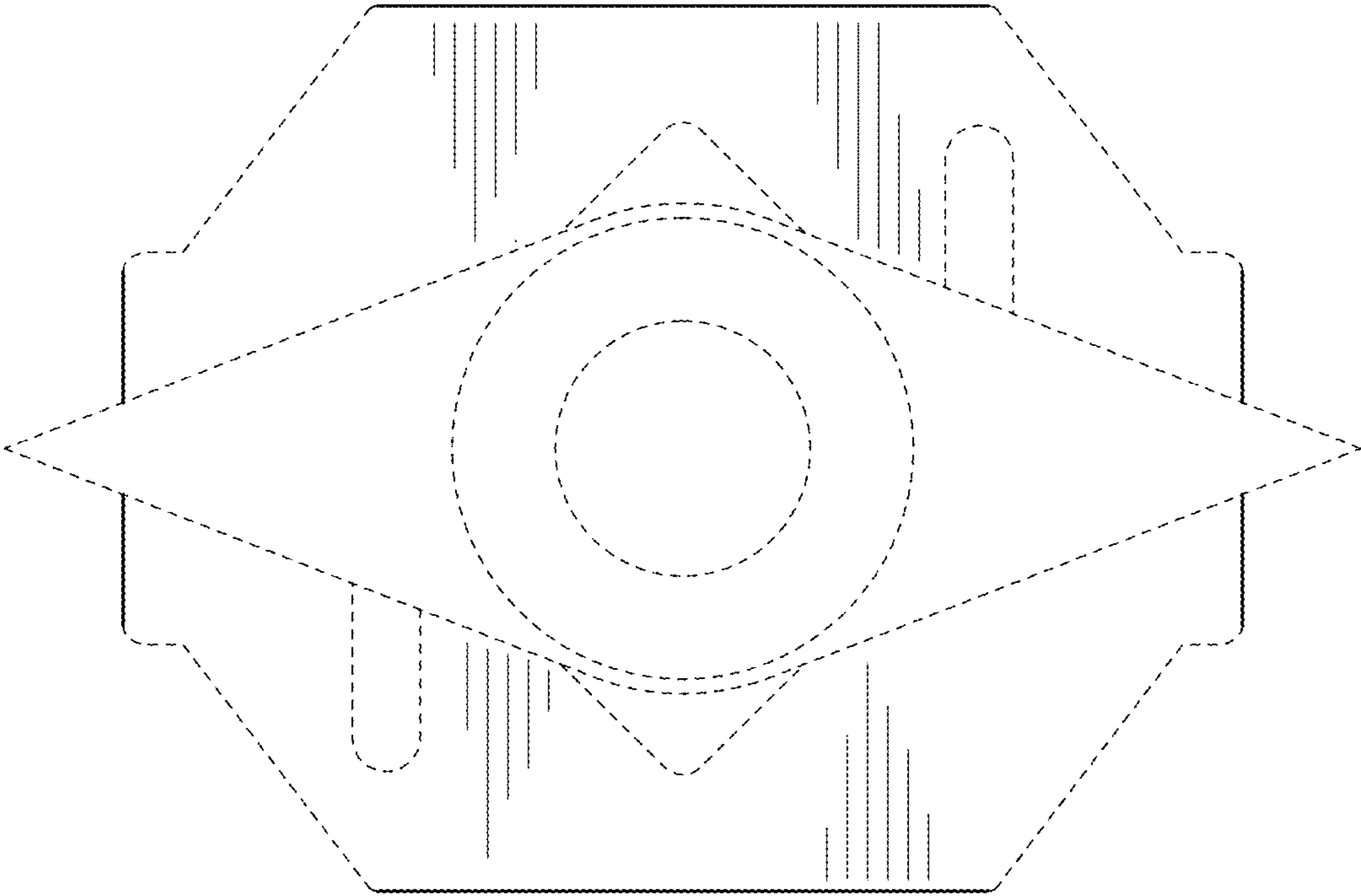


FIG. 5

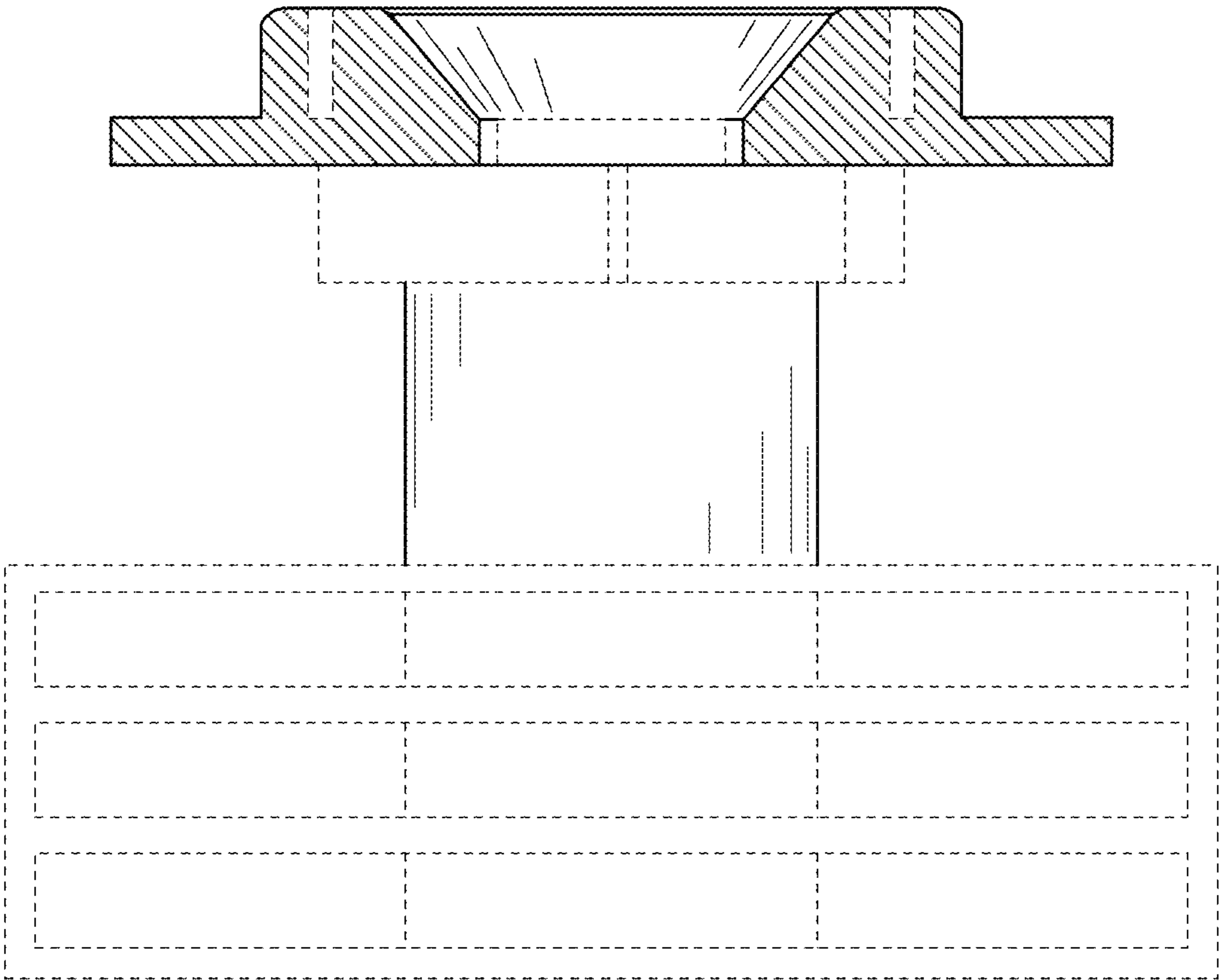


FIG. 6

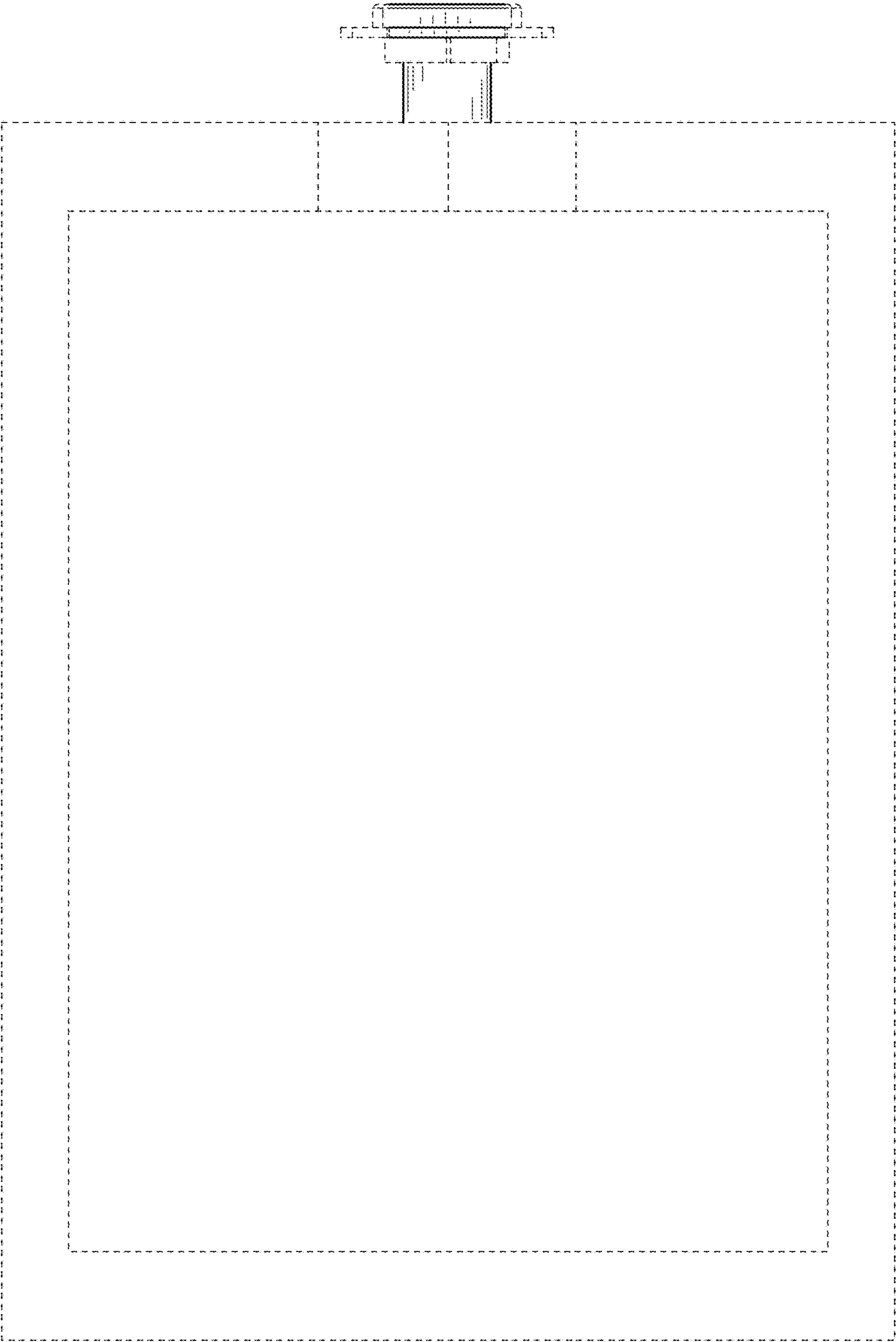


FIG. 7