



US00D801807S

(12) **United States Design Patent** (10) **Patent No.:** **US D801,807 S**
Rapparini (45) **Date of Patent:** **** Nov. 7, 2017**

(54) **CAPSULE**
(71) Applicant: **Gino Rapparini**, Bologna (IT)
(72) Inventor: **Gino Rapparini**, Bologna (IT)
(**) Term: **15 Years**
(21) Appl. No.: **29/572,395**
(22) Filed: **Jul. 27, 2016**

D445,677 S 7/2001 Lindsay et al.
D452,433 S 12/2001 Lazaris
D457,099 S * 5/2002 Lai D11/152
6,431,389 B1 8/2002 Jerstroem et al.
D474,074 S * 5/2003 Hou D7/523
6,648,163 B2 11/2003 Porter et al.
D502,362 S 3/2005 Lazaris et al.
D573,060 S * 7/2008 White D11/152
D587,995 S 3/2009 Studee
D605,502 S 12/2009 Honda et al.
D606,363 S 12/2009 Aardenburg

(Continued)

(30) **Foreign Application Priority Data**

Jul. 19, 2016 (EM) 003311612

(51) **LOC (10) Cl.** **09-03**

(52) **U.S. Cl.**
USPC **D9/429**

(58) **Field of Classification Search**
USPC D7/538-545, 602, 608, 629, 641;
D9/396.1, 414, 420, 424-426, 429, 432,
D9/761; 206/501-509; 220/781, 791,
220/793, 811-813, 835, 839
CPC B65D 1/24; B65D 25/04; B65D 43/03;
B65D 43/16; B65D 43/0212
See application file for complete search history.

(56) **References Cited**

U.S. PATENT DOCUMENTS

D204,212 S * 3/1966 Davis D7/531
3,237,834 A * 3/1966 Davis B29C 51/14
220/DIG. 14
D204,783 S * 5/1966 Johnson 229/400
3,440,951 A 4/1969 Barrera
D256,762 S * 9/1980 Scott D7/360
D260,243 S 8/1981 Dogliotti
D288,063 S 2/1987 Tyler
D306,974 S 4/1990 Tholstrup
D375,657 S * 11/1996 Jarvis D7/523
D383,646 S 9/1997 Jeppesen et al.
D413,766 S * 9/1999 Hou D7/523
D438,794 S 3/2001 Miles et al.

FOREIGN PATENT DOCUMENTS

CA 2 734 843 A1 2/2010
EP 0 524 464 A1 1/1993

(Continued)

OTHER PUBLICATIONS

International Search Report for International Application No. PCT/
IB2011/001278, dated Oct. 20, 2011, 2 pages.

(Continued)

Primary Examiner — Derrick Holland
Assistant Examiner — Janice Lim
(74) *Attorney, Agent, or Firm* — Brinks Gilson & Lione

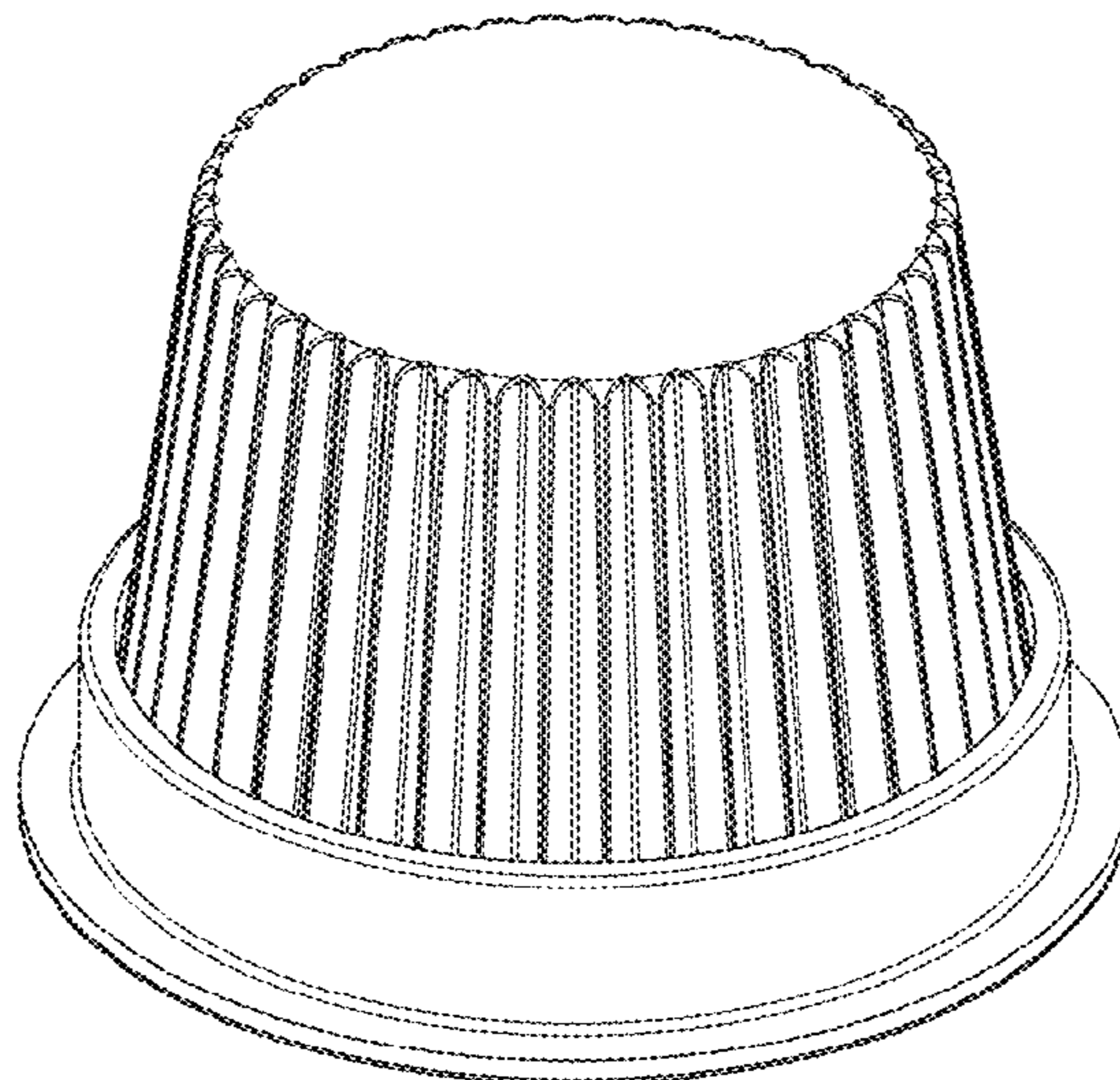
(57) **CLAIM**

The ornamental design for a capsule, as shown and described.

DESCRIPTION

FIG. 1 is a top perspective view of a capsule, showing my new design;
FIG. 2 is a top plan view thereof; and,
FIG. 3 is a front elevation view thereof, where the right side elevation, left side elevation, and rear elevation views are the same.

1 Claim, 3 Drawing Sheets



(56)

References Cited

U.S. PATENT DOCUMENTS

D606,404 S 12/2009 Diss
D612,732 S 3/2010 Takata et al.
D627,636 S 11/2010 Fang
D628,883 S 12/2010 Stephens
D637,484 S 5/2011 Winkler
D644,924 S 9/2011 Lin
D647,397 S 10/2011 Inaba
D651,865 S 1/2012 Smyers
D652,266 S 1/2012 Smyers
D668,538 S 10/2012 Knutson et al.
D682,675 S 5/2013 Rapparini
D685,631 S 7/2013 Rapparini
D692,759 S 11/2013 Rapparini
D692,760 S 11/2013 Rapparini
D695,615 S 12/2013 Rapparini
D697,801 S 1/2014 Rapparini
D726,006 S 4/2015 Rapparini
D730,734 S 6/2015 Rapparini

D736,614 S 8/2015 Rapparini
D750,481 S 3/2016 Rapparini
D750,482 S 3/2016 Rapparini
D751,385 S 3/2016 Rapparini
2007/0148290 A1 6/2007 Ternite et al.
2011/0111098 A1 5/2011 Ricotti
2012/0269933 A1* 10/2012 Rapparini B65D 85/8043
426/82

FOREIGN PATENT DOCUMENTS

EP 1 792 850 A1 6/2007
FR 1 543 608 10/1968

OTHER PUBLICATIONS

International Search Report for International Application No. PCT/
IB2011/001273, dated Oct. 21, 2011, 2 pages.
Undated advertisement, ECOcup Capsules.

* cited by examiner

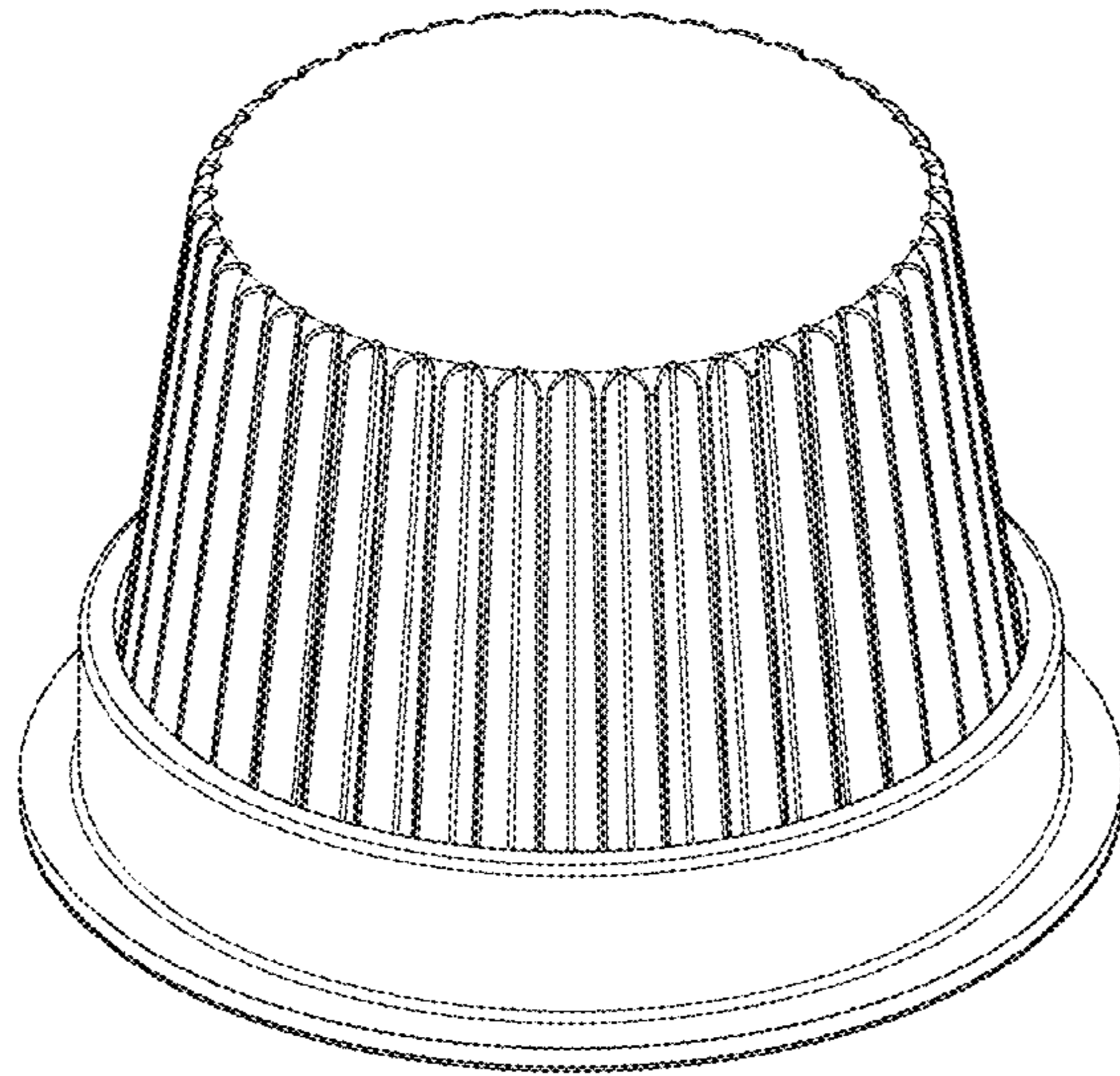


FIG. 1

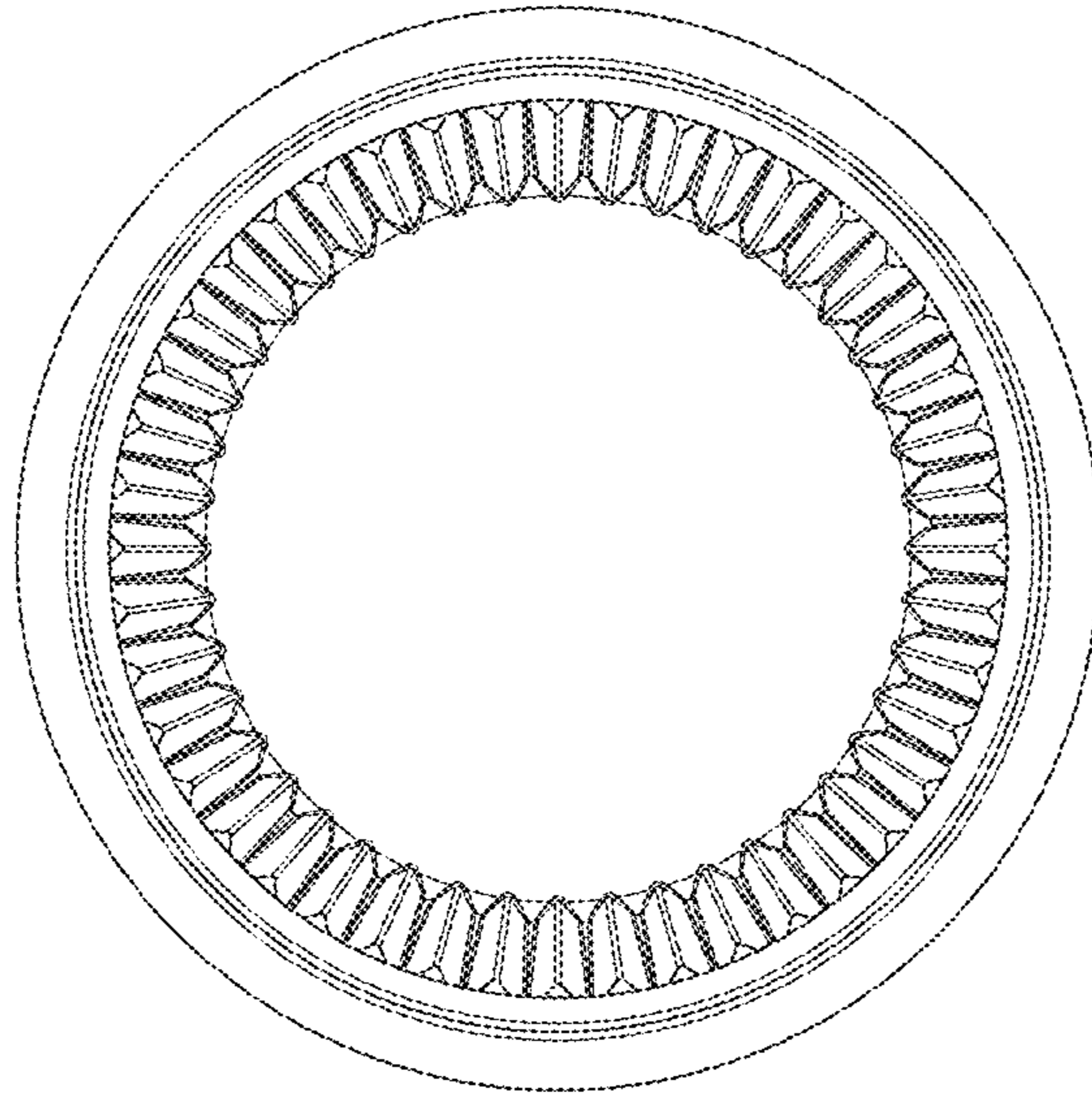


FIG. 2

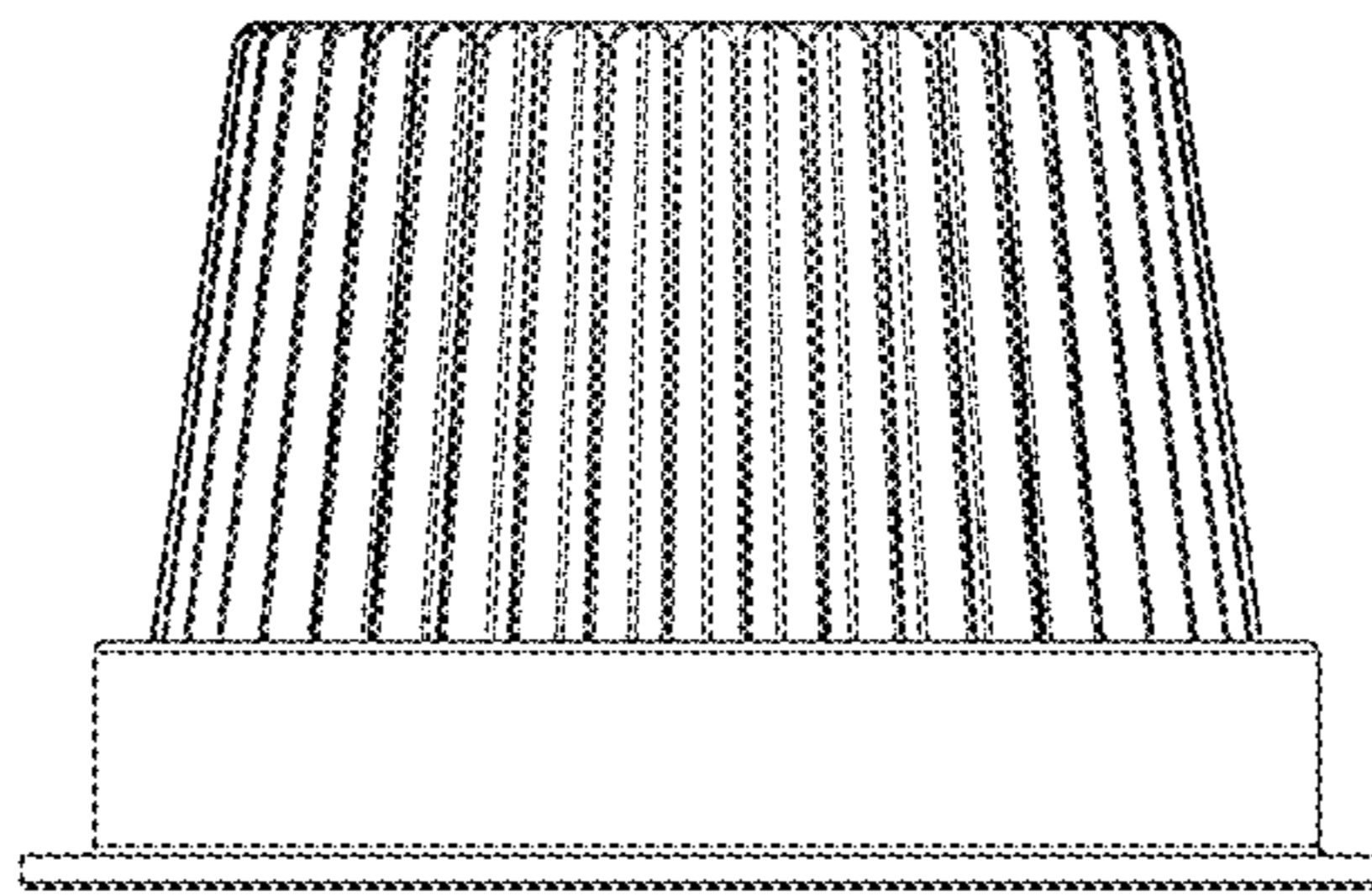


FIG. 3