



US00D801806S

(12) **United States Design Patent** (10) **Patent No.:** **US D801,806 S**
Pickard et al. (45) **Date of Patent:** **** Nov. 7, 2017**

(54) **CONTAINER**
(71) Applicant: **ORORA NORTH AMERICA**, Buena Park, CA (US)
(72) Inventors: **Keith Pickard**, Ontario (CA); **Charles Erway**, Cadillac, MI (US)
(73) Assignee: **ORORA PACKAGING SOLUTIONS**, Buena Park, CA (US)

D378,552 S 3/1997 Lippisch
D395,756 S 7/1998 Tanji
D398,151 S 9/1998 Ahern, Jr.
(Continued)

FOREIGN PATENT DOCUMENTS

JP 06-071478 10/1994
WO WO 2015/076490 5/2015

OTHER PUBLICATIONS

U.S. Appl. No. 29/562,176, filed Apr. 2016, Pickard et al.
(Continued)

(**) Term: **15 Years**

(21) Appl. No.: **29/562,181**

(22) Filed: **Apr. 22, 2016**

(51) **LOC (10) Cl.** **09-03**

(52) **U.S. Cl.**
USPC **D9/425**

(58) **Field of Classification Search**
USPC D7/396.1, 538-545, 602, 608, 629;
D9/414, 420, 424-429, 432, 761;
206/501-509, 512; 220/4.23-4.24, 23.86,
220/780, 781, 791-793, 835, 839
CPC B65D 43/16; B65D 43/03; B65D 1/24;
B65D 25/04

See application file for complete search history.

Primary Examiner — Ian Simmons
Assistant Examiner — Janice Lim
(74) *Attorney, Agent, or Firm* — Martin & Ferraro, LLP

(57) **CLAIM**

The ornamental design for a container, as shown and described.

DESCRIPTION

FIG. 1 is a top, front, right side perspective view of a container, showing our new design;
FIG. 2 is a bottom, rear, left side perspective view of the container of FIG. 1;
FIG. 3 is a front elevational view of the container of FIG. 1;
FIG. 4 is a rear elevational view of the container of FIG. 1;
FIG. 5 is a left elevational view of the container of FIG. 1;
FIG. 6 is a right elevational view of the container of FIG. 1;
FIG. 7 is a top plan view of the container of FIG. 1;
FIG. 8 is a bottom plan view of the container of FIG. 1; and,
FIG. 9 is a cross-sectional view taken along line 9-9 in FIG. 7.

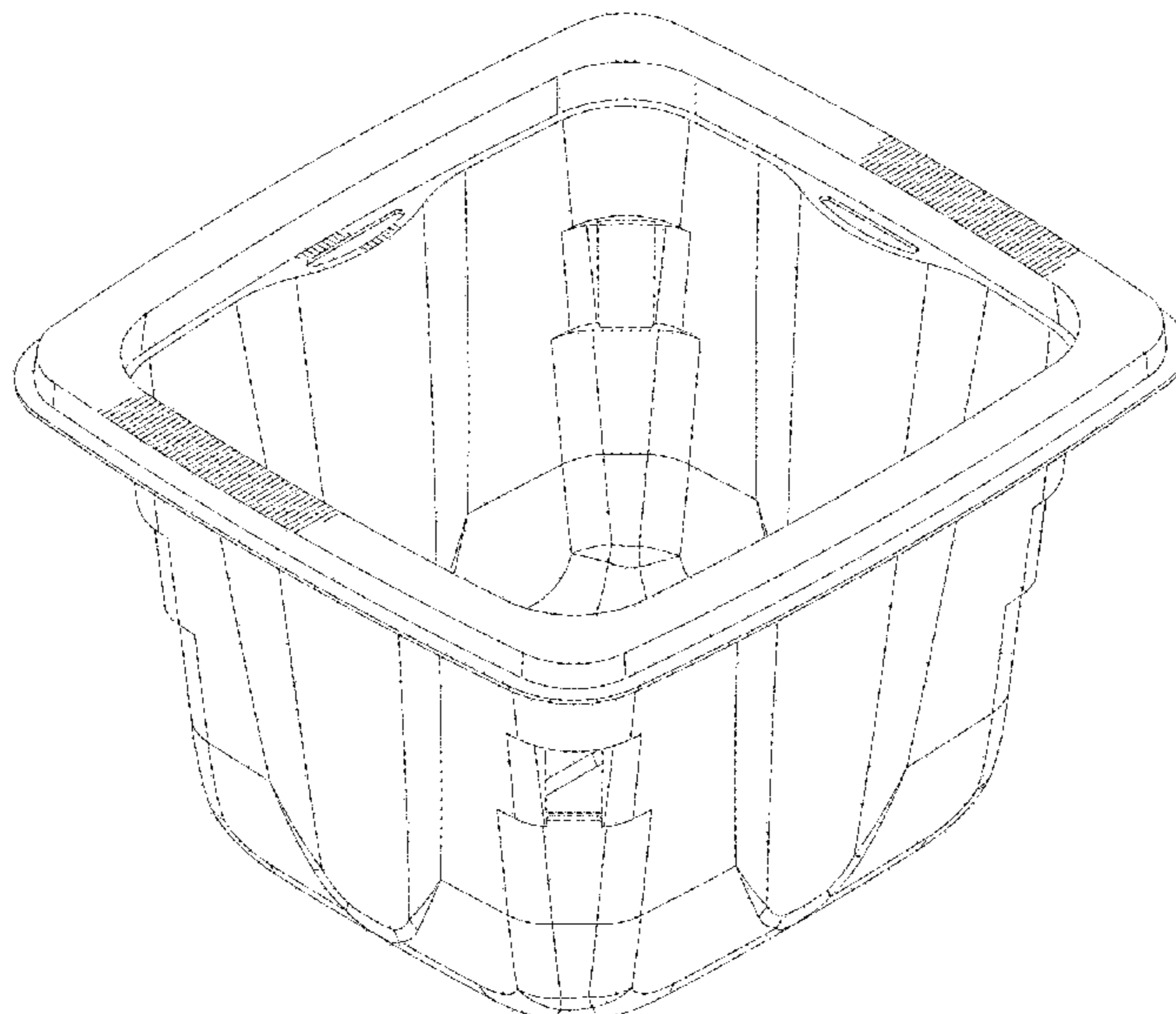
The broken line portions show unclaimed subject matter only and form no part of the claimed design.

1 Claim, 7 Drawing Sheets

(56) **References Cited**

U.S. PATENT DOCUMENTS

D195,375 S 6/1963 Bostrom
D211,682 S 7/1968 Elcholtz et al.
D214,832 S 8/1969 Bloch et al.
D275,886 S 10/1984 Sheward et al.
D280,590 S 9/1985 Schrage
4,616,762 A 10/1986 Alexander
D296,191 S 6/1988 Yoshida et al.
D348,394 S 7/1994 Dreyer
D370,345 S 6/1996 Wolff
D378,039 S 2/1997 Ferris



(56)

References Cited

U.S. PATENT DOCUMENTS

D415,935 S 11/1999 Martinez
 D429,965 S 8/2000 Hayes et al.
 D485,473 S 1/2004 Dais et al.
 D492,844 S 7/2004 Ramirez et al.
 D496,272 S 9/2004 Jackson et al.
 D502,096 S * 2/2005 Wilcock D9/425
 D514,441 S 2/2006 Snedden et al.
 D514,931 S * 2/2006 Snedden D9/418
 D558,045 S * 12/2007 Templeton D9/420
 D562,128 S * 2/2008 van de Velde D9/420
 D579,767 S 11/2008 Wallach
 D586,652 S 2/2009 Wallach
 D591,510 S 5/2009 Auer et al.
 D596,857 S 7/2009 Ahlgrim et al.
 D606,811 S 12/2009 Furlong
 D606,812 S 12/2009 Wu
 D648,535 S 11/2011 Reinhart et al.
 D649,033 S 11/2011 Epstein
 D656,369 S 3/2012 Everson
 D678,050 S * 3/2013 Birchmeier D9/424
 D685,628 S * 7/2013 Durdon D9/420
 D689,363 S 9/2013 Sundry et al.
 D692,748 S * 11/2013 Short D9/420

D696,057 S 12/2013 Green et al.
 D696,111 S 12/2013 Sundry et al.
 D696,938 S 1/2014 BeVier et al.
 8,777,043 B2 7/2014 Furlong
 8,794,440 B2 8/2014 BeVier et al.
 D719,019 S 12/2014 Avis
 D730,127 S 5/2015 Maxwell et al.
 D772,059 S 11/2016 Urushidani et al.
 2004/0118737 A1 6/2004 Welsh et al.
 2008/0135556 A1 * 6/2008 Bontrager B65D 1/34
 2009/0120937 A1 * 5/2009 Vovan B65D 43/0206
 2011/0272318 A1 11/2011 Gallop et al.
 2012/0006842 A1 1/2012 Overgaag
 2013/0015096 A1 1/2013 BeVier et al.
 2015/0157534 A1 6/2015 Van Puijenbroek et al.

OTHER PUBLICATIONS

U.S. Appl. No. 15/229,023, filed Aug. 2016, Pickard et al.
 International Search Report and Written Opinion for PCT/US2017/
 024023 dated Jun. 26, 2017, 14 pgs.

* cited by examiner

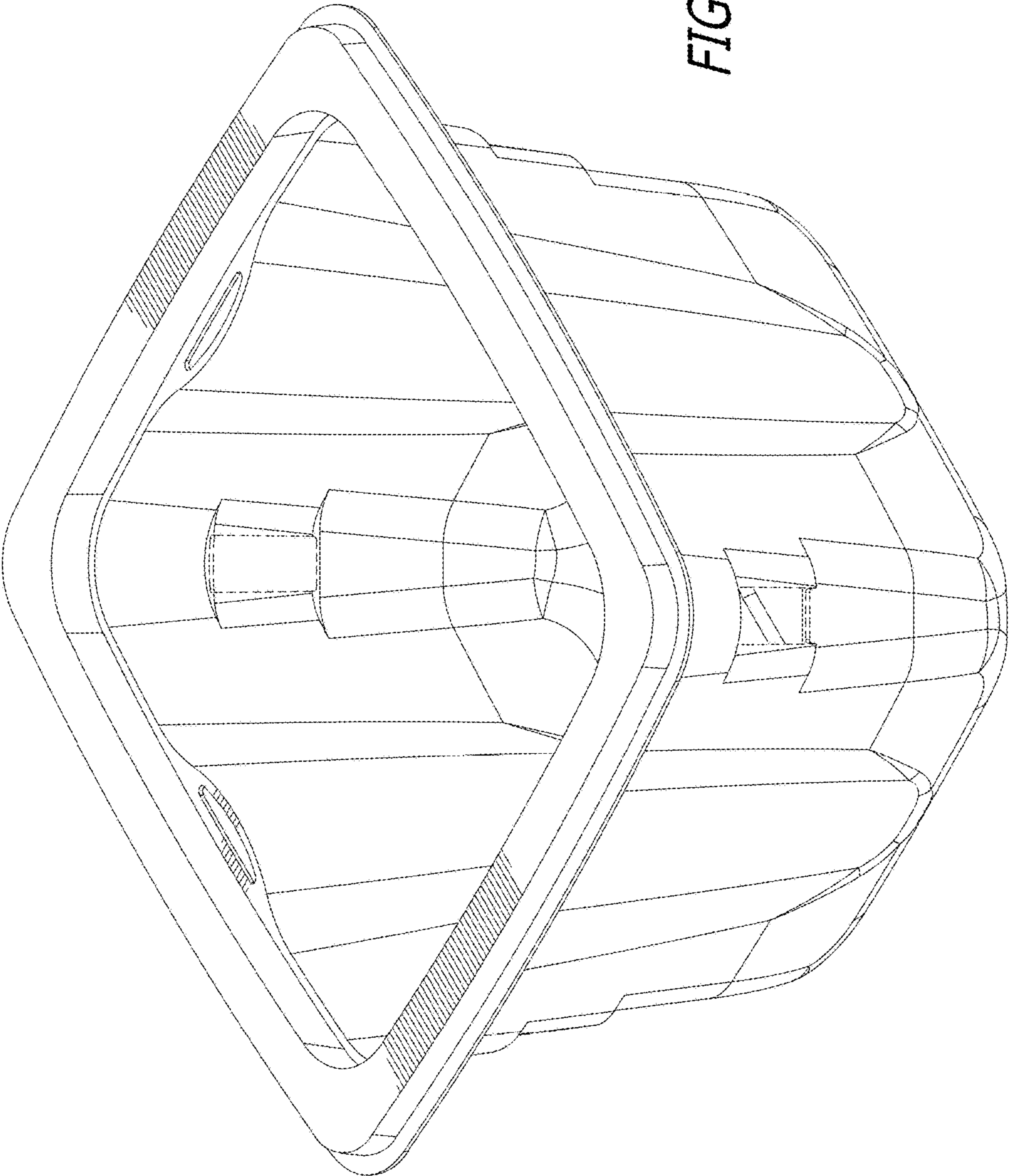


FIG. 1

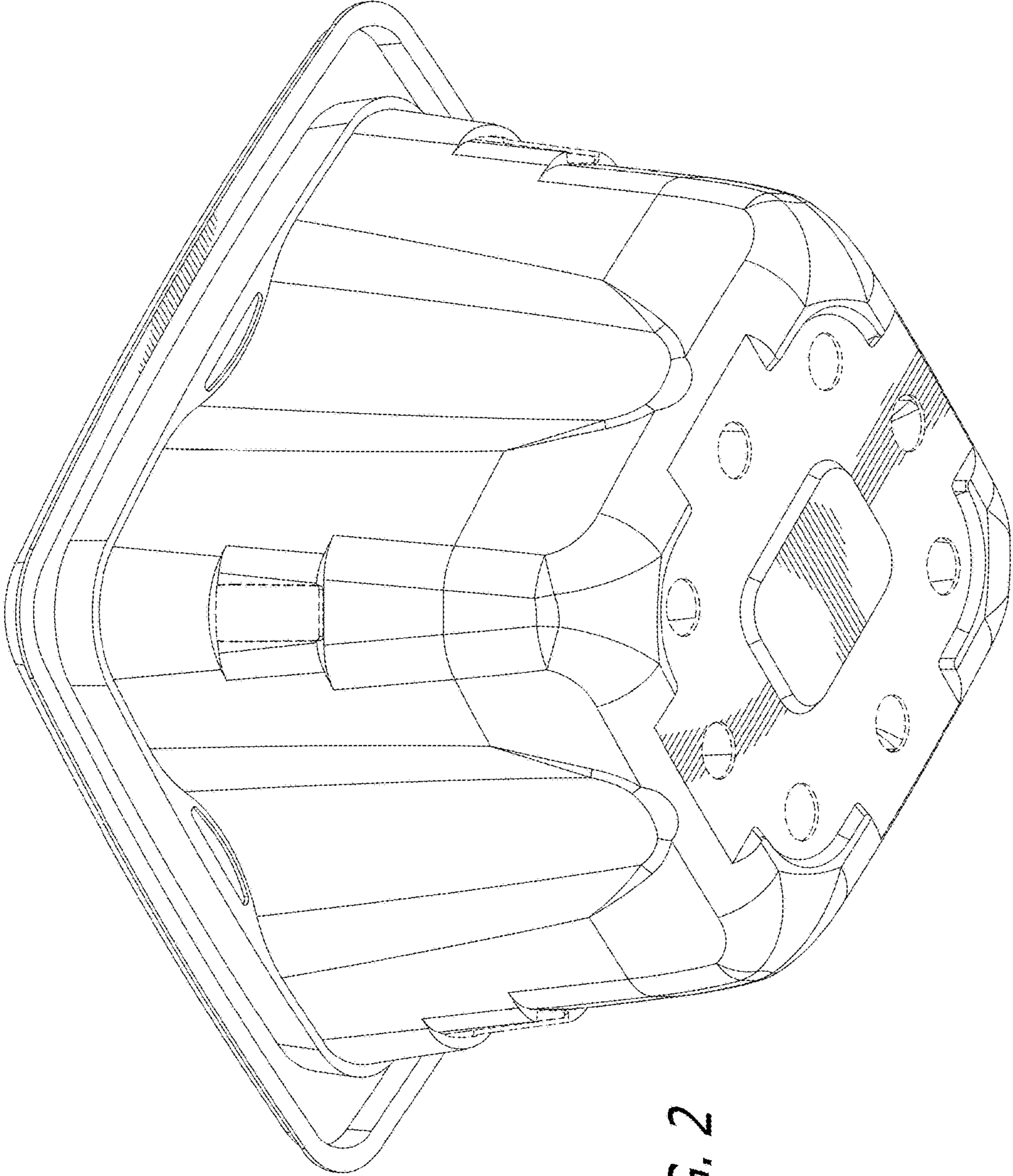
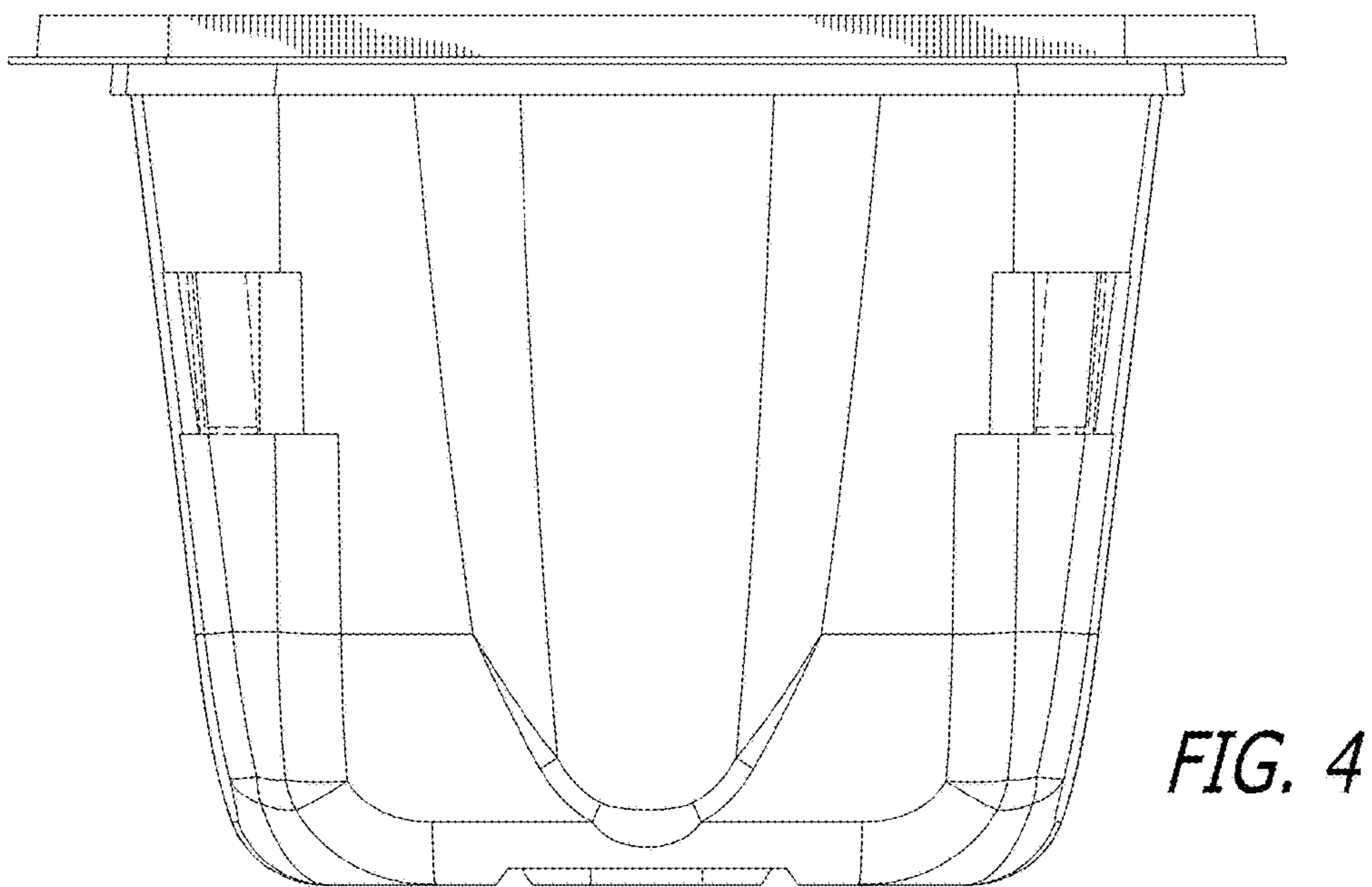
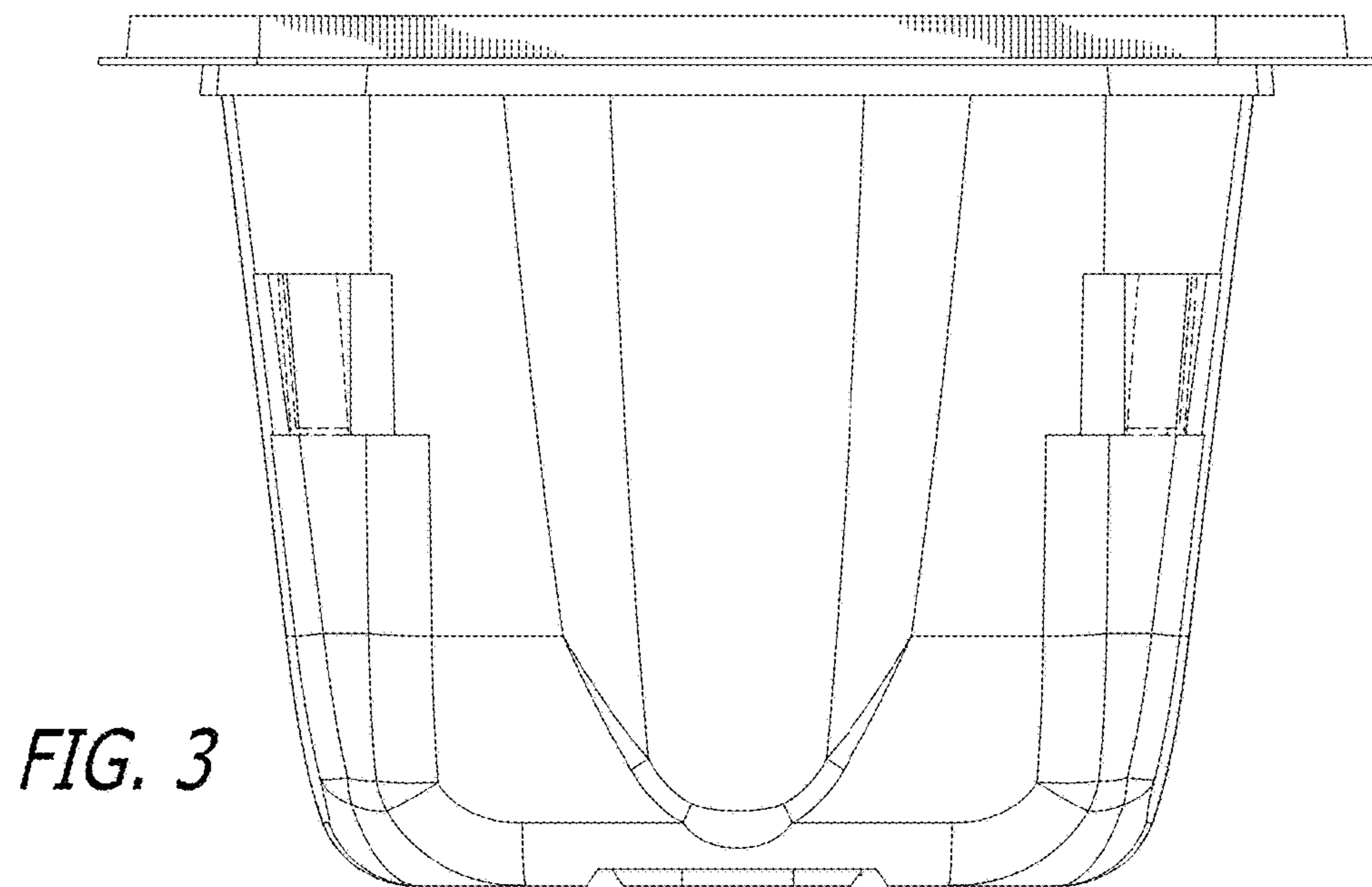


FIG. 2



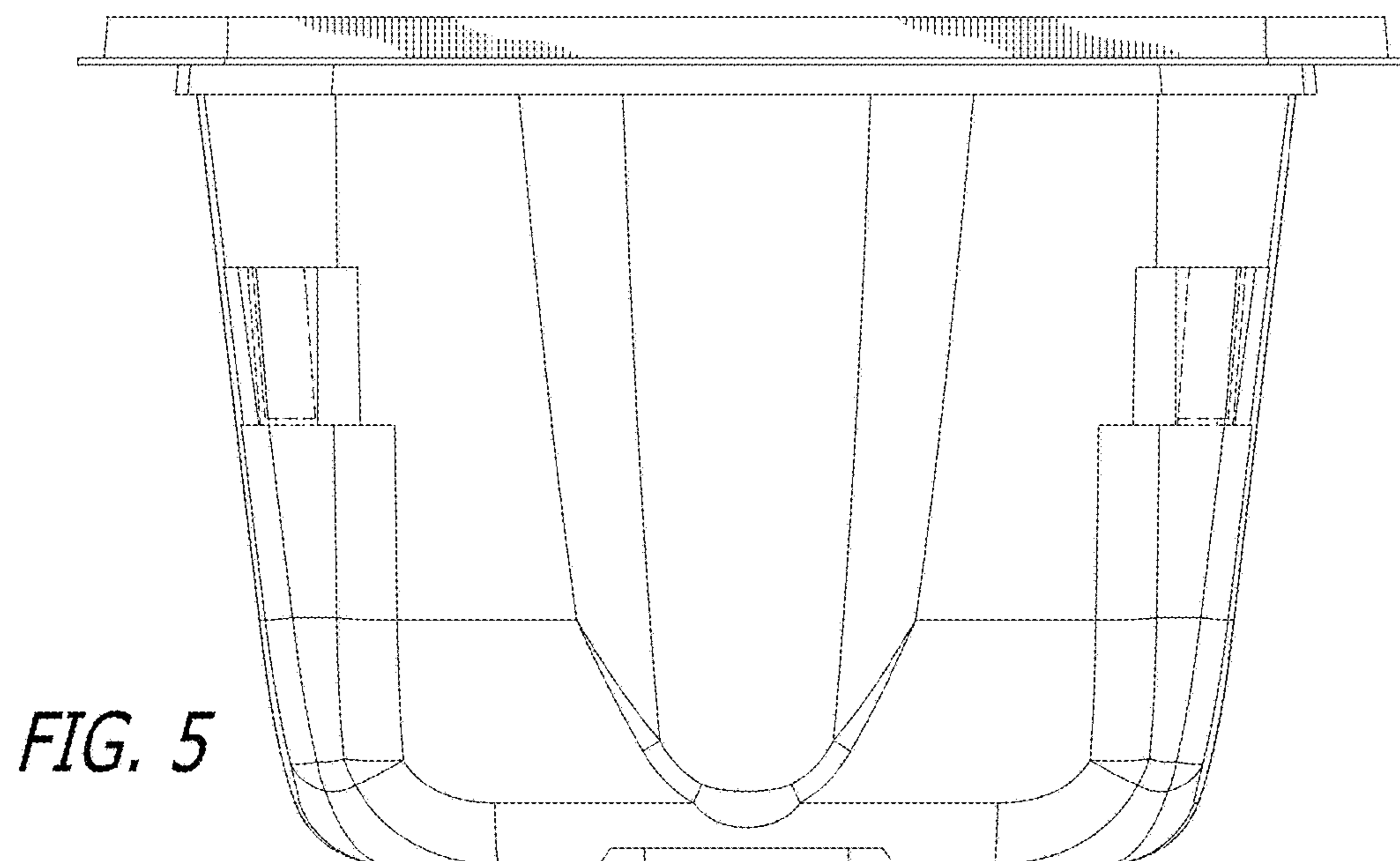


FIG. 5

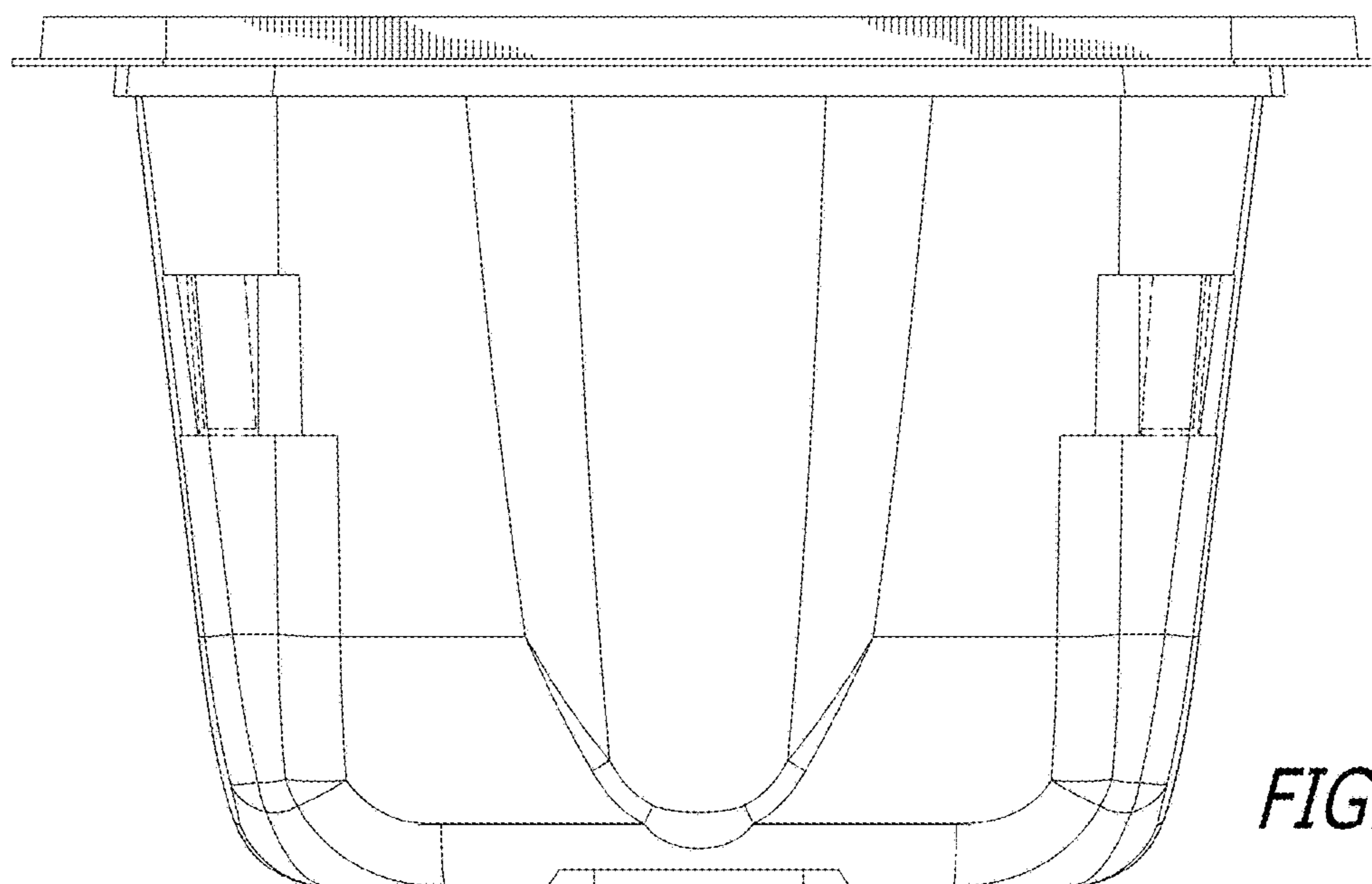


FIG. 6

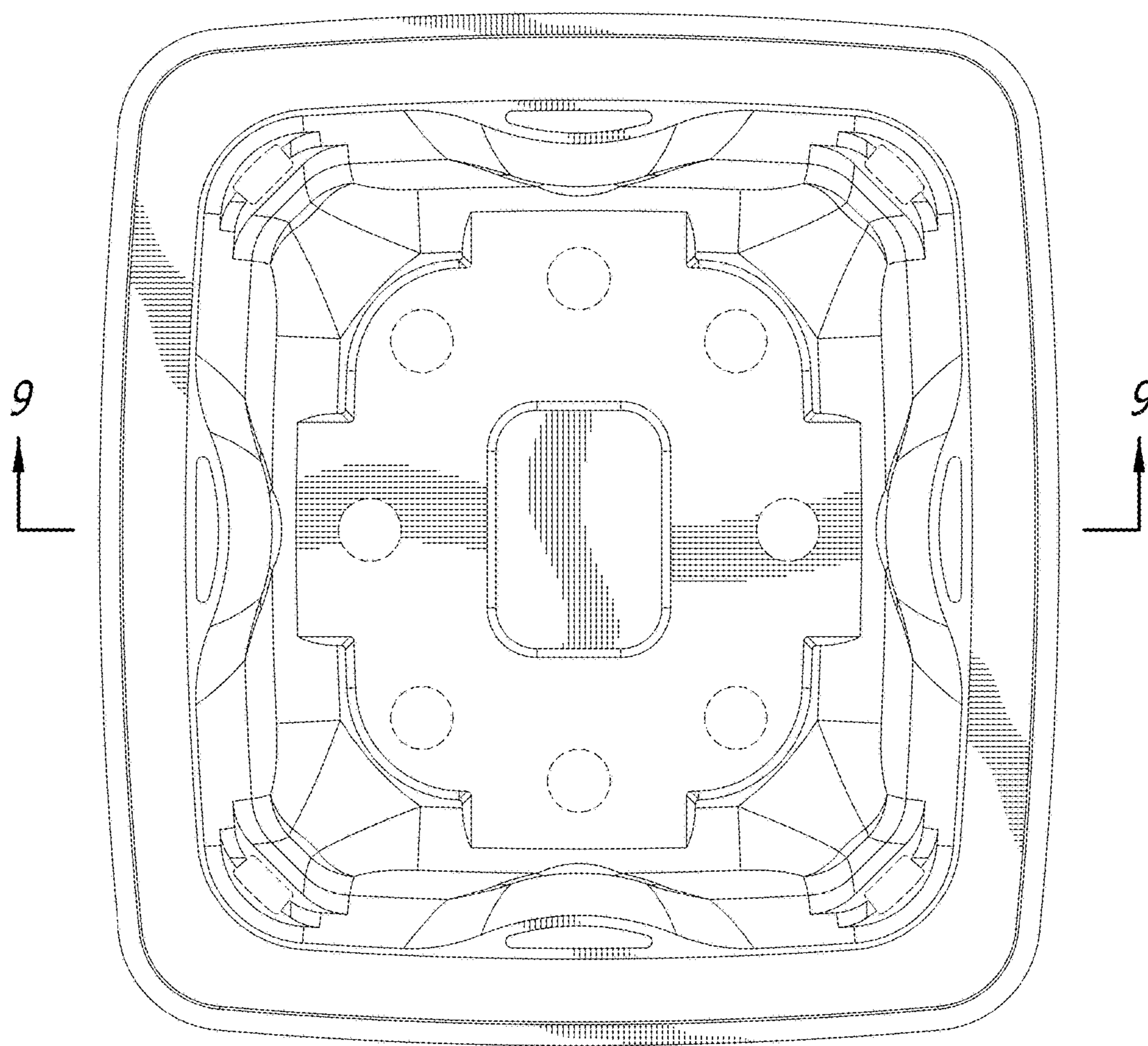


FIG. 7

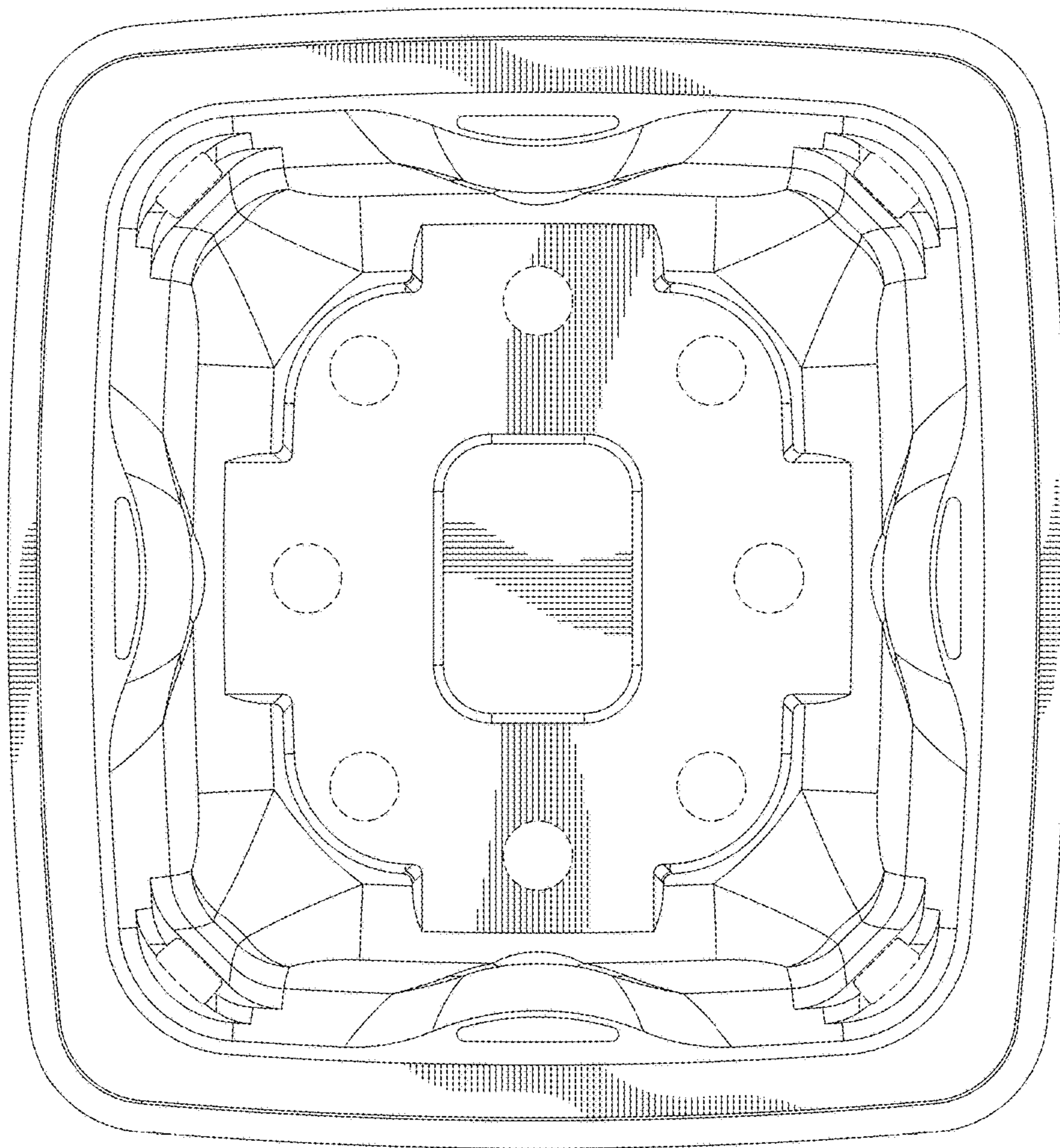


FIG. 8

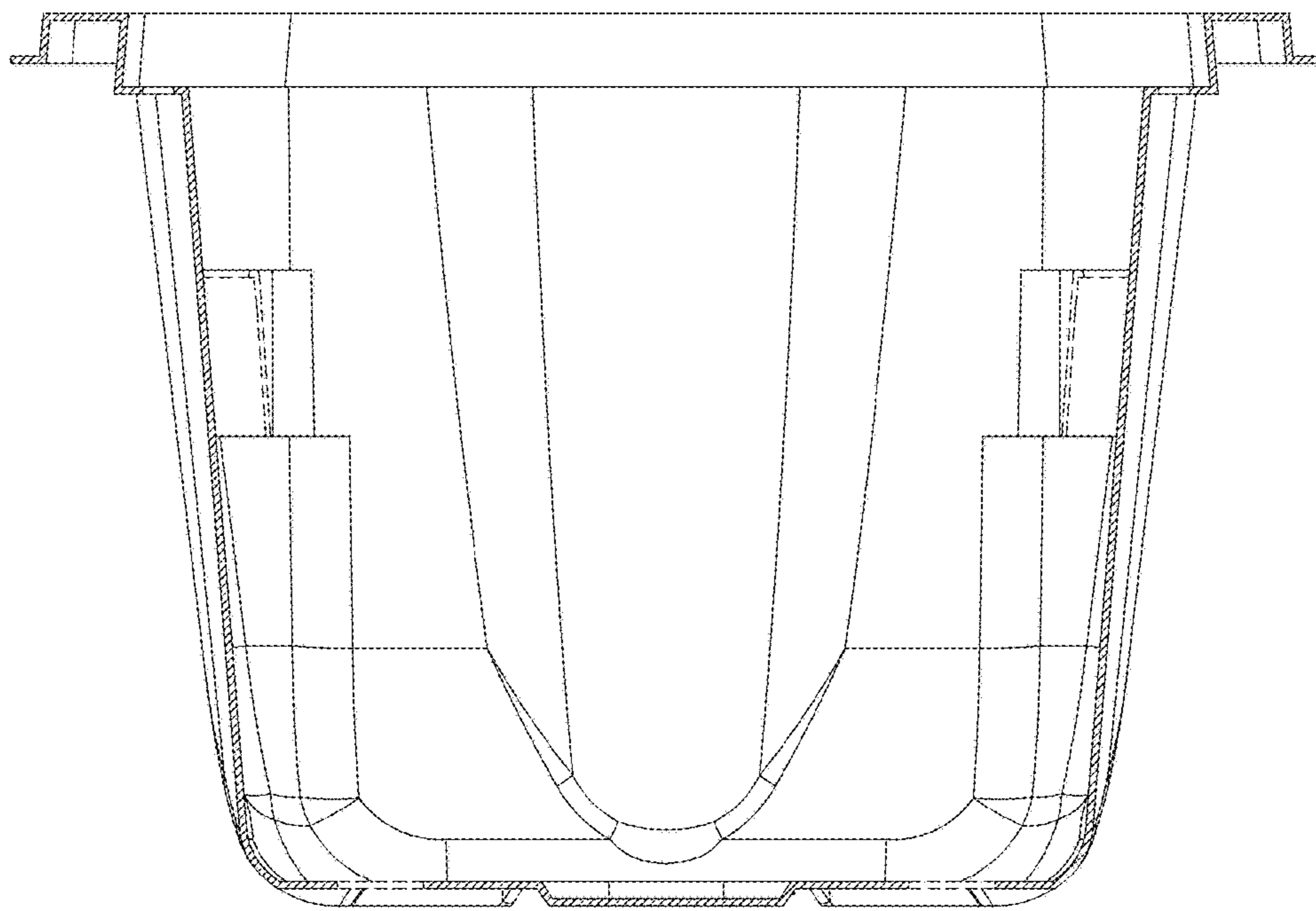


FIG. 9