



US00D801805S

(12) **United States Design Patent**
Pensler

(10) **Patent No.:** **US D801,805 S**

(45) **Date of Patent:** **** Nov. 7, 2017**

- (54) **STORAGE CONTAINER**
- (71) Applicant: **Korex Corporation**, Wixom, MI (US)
- (72) Inventor: **Sanford Nolan Pensler**, Grosse Pointe Park, MI (US)
- (73) Assignee: **Korex Corporation**, Wixom, MI (US)
- (**) Term: **15 Years**
- (21) Appl. No.: **29/528,508**
- (22) Filed: **May 29, 2015**
- (51) **LOC (10) Cl.** **09-03**
- (52) **U.S. Cl.**
USPC **D9/425; D3/314**
- (58) **Field of Classification Search**
USPC D9/414-433, 435, 438, 499, 501, 529, D9/711, 715, 734, 770, 777, 782, 783; D3/272-274, 276-284, 291, 294, 295, D3/298, 302, 304, 307-310, 312, 314, D3/315, 901, 903, 905; D7/601, 602, D7/607, 609, 615, 629; D11/143, 155, D11/145; 47/32.7, 41.01, 86; 126/59.5; 206/372-379, 503, 508; 220/210, 220/523-528, 631, 671, 780, 826, 844; 362/315
CPC B65D 1/22
See application file for complete search history.

- D216,843 S * 3/1970 Lew D19/82
- D241,454 S * 9/1976 Craft, III D11/155
- 4,019,279 A * 4/1977 Moorman E01C 9/005
47/32.7
- D265,001 S * 6/1982 Graham D26/104
- D299,768 S * 2/1989 Windom D27/134
- D300,973 S * 5/1989 Copeland D34/1
- 5,353,206 A * 10/1994 Fejes E02D 29/00
220/210
- D377,402 S * 1/1997 Perkins D26/135
- D384,002 S * 9/1997 David D11/143
- D471,888 S * 3/2003 Solland D14/204
- D493,096 S * 7/2004 Sittig D8/374
- D551,315 S * 9/2007 Zimmerman D22/119
- D572,169 S * 7/2008 De Roeck D11/155
- D599,548 S * 9/2009 Bech D3/272

(Continued)

OTHER PUBLICATIONS

“Red Russian Pascha.” Found online Feb. 9, 2017 at www.amazon.com. Page dated Mar. 9, 2011. Retrieved from <URL:https://www.amazon.com/Russian-Pascha-Easter-Plastic-Cheese/dp/B00HNVFXWE>.*

(Continued)

Primary Examiner — Susan E Krakower
Assistant Examiner — Katelin G Kloberg
(74) *Attorney, Agent, or Firm* — Dinsmore & Shohl LLP

(57) **CLAIM**

The ornamental design for a storage container, as shown.

DESCRIPTION

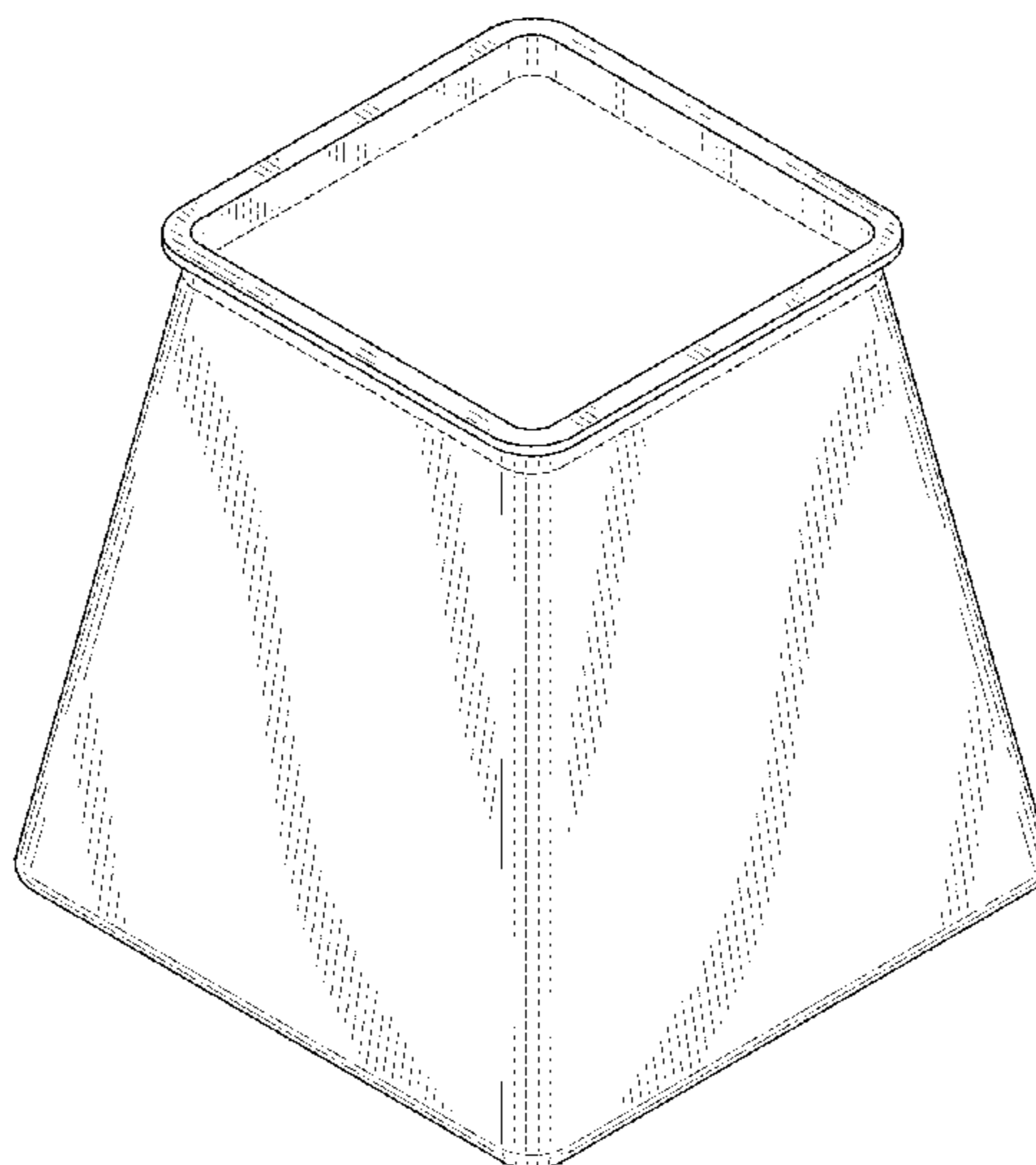
FIG. 1 is a perspective view of a storage container illustrating my new design;
FIG. 2 is a front view of the design of FIG. 1;
FIG. 3 is a top view of the design of FIG. 1; and,
FIG. 4 is bottom view of the design of FIG. 1.
The broken lines in the drawings represent portions of the design that form no part of the claim.

1 Claim, 3 Drawing Sheets

(56) **References Cited**

U.S. PATENT DOCUMENTS

- 35,866 A * 7/1862 Blake F21V 3/00
362/315
- 152,758 A * 7/1874 Mills A01G 9/104
47/86
- D33,787 S * 12/1900 Meiners D23/249
- D120,555 S * 5/1940 Pope D9/416
- 2,276,220 A * 3/1942 Le Veille, Sr. A01G 13/06
126/59.5



(56)

References Cited

U.S. PATENT DOCUMENTS

D625,649 S * 10/2010 Rooney D11/146
D632,619 S * 2/2011 Noble D12/160
D653,088 S * 1/2012 Hansen D7/624.1
D682,677 S * 5/2013 Dennin D9/431
D750,178 S * 2/2016 Seydoux D14/217
2006/0026896 A1 * 2/2006 Flanagan A47G 7/063
47/41.01
2007/0089361 A1 * 4/2007 Weder A47G 7/063
47/41.01

OTHER PUBLICATIONS

“Truncated Pyramid Speakers.” Found online Feb. 9, 2017 at www.deviantart.com. Page dated Jun. 11, 2012. Retrieved from <URL:<http://funkvibes.deviantart.com/art/truncated-pyramid-speakers-307714867>>.*

“Home-It Black Bed Risers.” Found online Feb. 10, 2017 at www.amazon.com. Page dated Sep. 21, 2013. Retrieved from <URL:https://www.amazon.com/Home-6-inch-QUALITY-risers-storage/dp/B00DQVR6WA/ref=pd_sim_201_9?encoding=UTF8&pd_rd_i=B00DQVR6WA&pd_rd_r=S7GYZYPNARK3T1BSZ7NF&pd_rd_w=DQOtS&pd_rd_wg=NmZC9&psc=1&refRID=S7GYZYPNARK3T1BSZ7NF>.*

“Whitefriars Tangerine Pyramid.” Found online Feb. 9, 2017 at www.the-saleroom.com. Page dated May 28, 2014. Retrieved from <URL:<https://www.the-saleroom.com/en-gb/auction-catalogues/reeman-dansie/catalogue-id-srree10009/lot-b400e2a3-44c4-492c-ad01-a42300f99c58>>.*

* cited by examiner

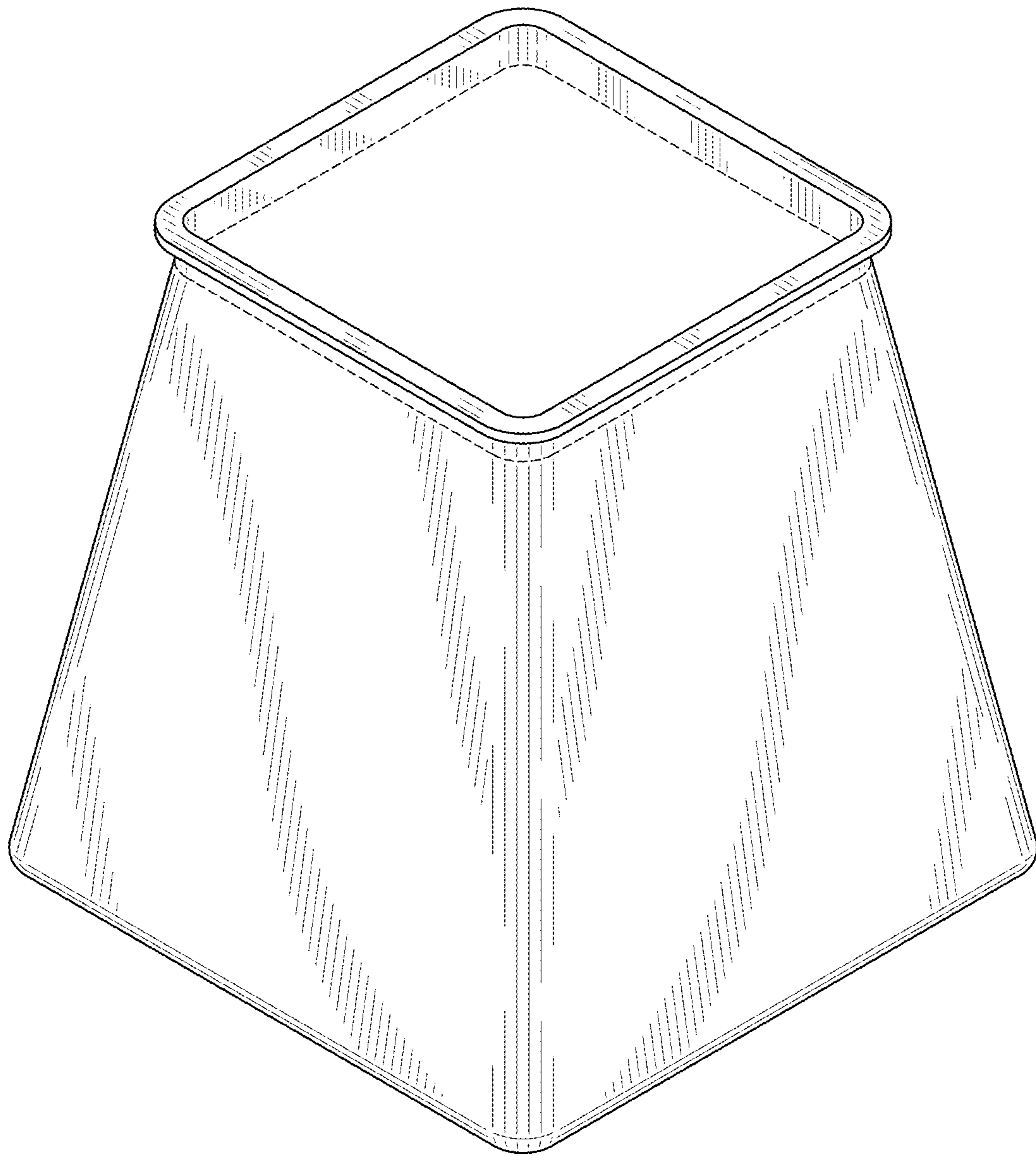


FIG. 1

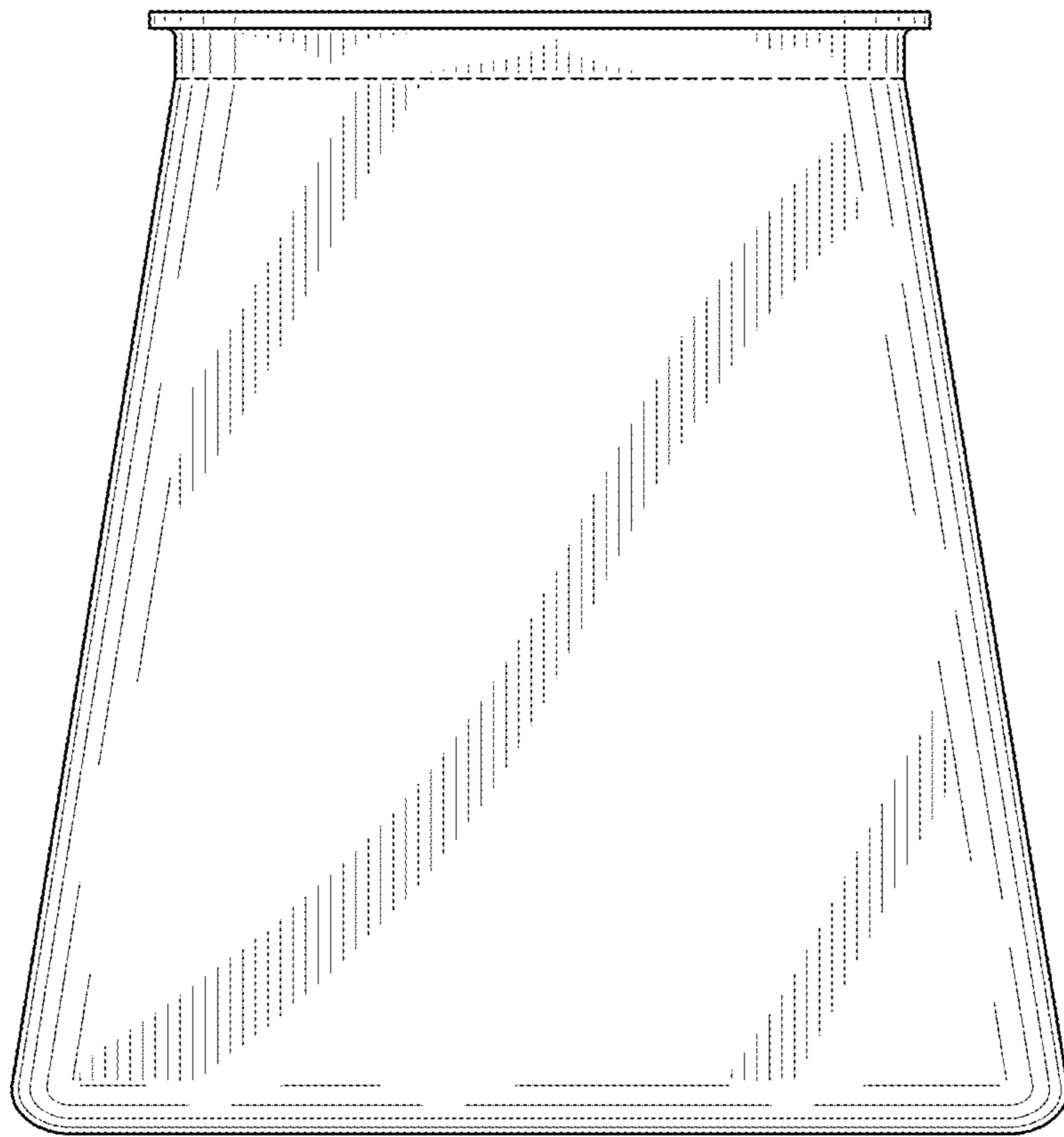


FIG. 2

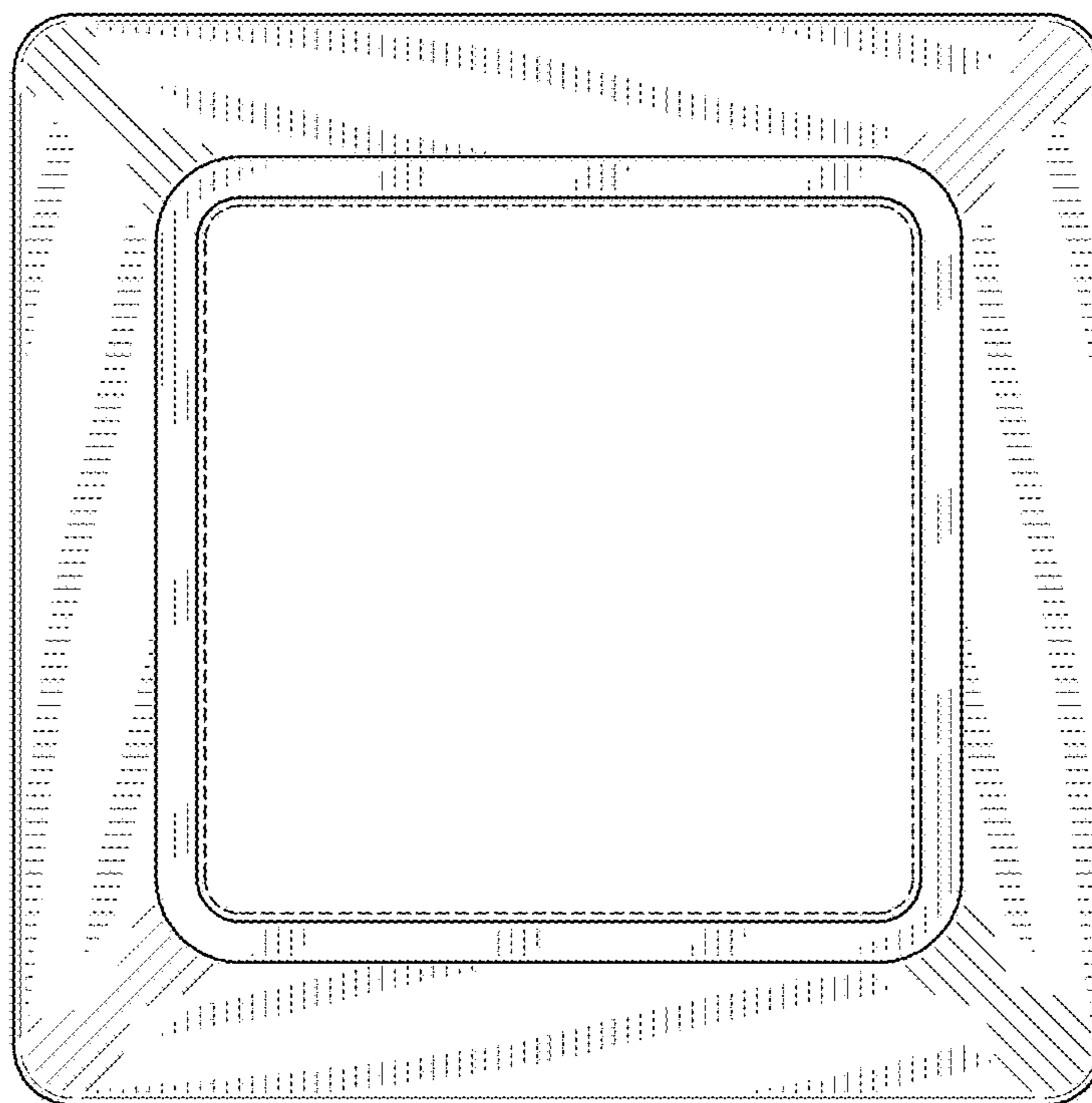


FIG. 3

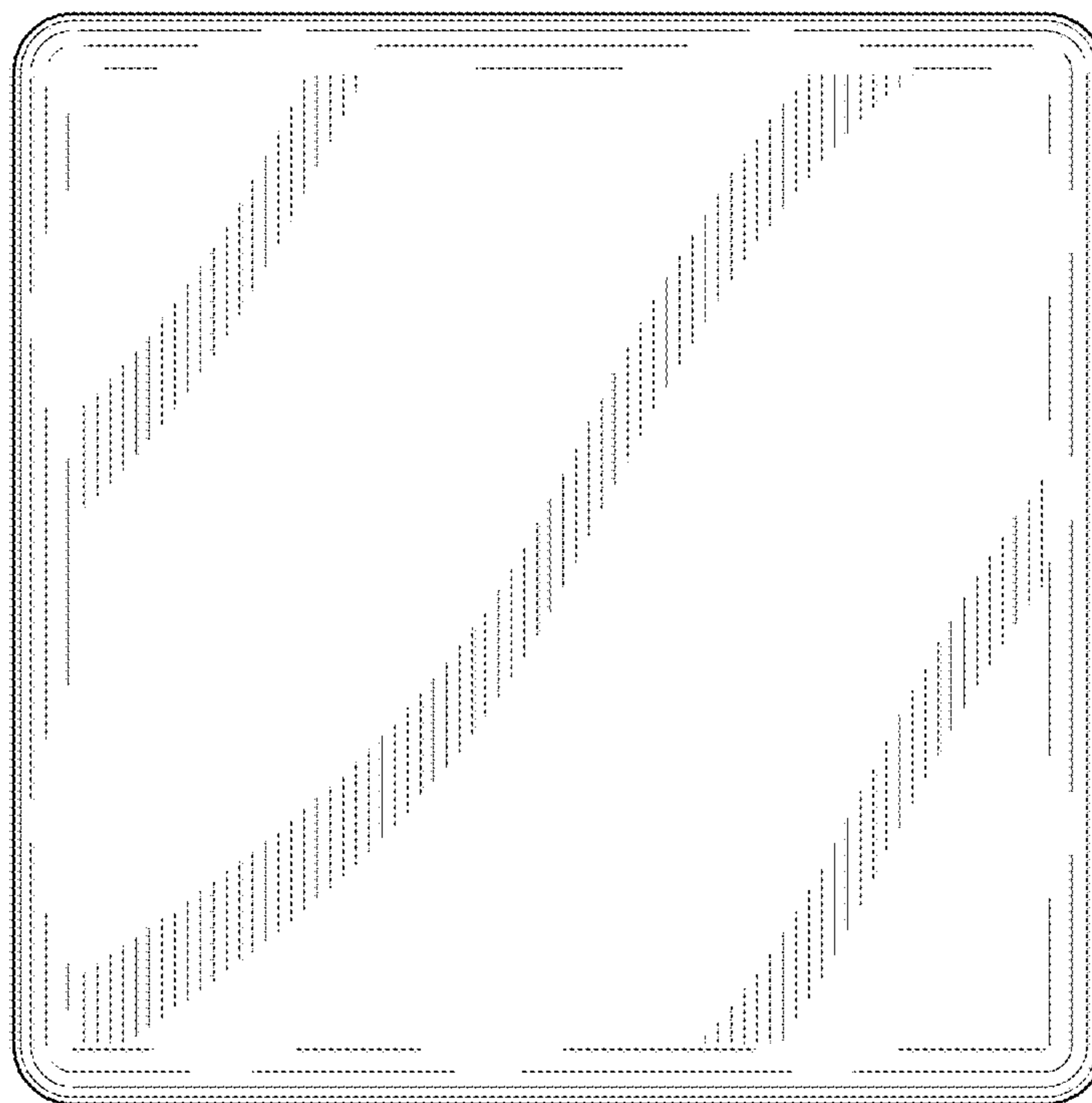


FIG. 4