



US00D801804S

(12) **United States Design Patent** (10) **Patent No.:** **US D801,804 S**
McCune (45) **Date of Patent:** **** Nov. 7, 2017**

(54) **UTILITY STORAGE BASE OR TOP**

(71) Applicant: **Plano Molding Company**, Plano, IL (US)

(72) Inventor: **Clark McCune**, Roanoke, TX (US)

(73) Assignee: **PLANO MOLDING COMPANY**, Plano, IL (US)

(**) Term: **15 Years**

(21) Appl. No.: **29/568,756**

(22) Filed: **Jun. 21, 2016**

(51) **LOC (10) Cl.** **09-03**

(52) **U.S. Cl.**
USPC **D9/424; D3/273**

(58) **Field of Classification Search**
USPC D9/414-434, 442-445, 456, 457, 542, D9/563, 600, 614-624, 655, 657, 658, D9/661, 685, 695, 697-699, 707, 708, D9/711, 754, 759, 772-776; D7/601, D7/602, 709; D19/75, 90; D3/260, 273, D3/276, 304, 305, 307, 309-313, 318, D3/321, 328, 905
CPC B65D 5/00; B65D 5/001; B65D 5/0015; B65D 5/0227-5/0254; B65D 5/18; B65D 5/6605; B65D 5/48024; B65D 81/3261; B65D 81/3294; B65D 51/24; B65B 5/06
See application file for complete search history.

(56) **References Cited**

U.S. PATENT DOCUMENTS

763,018 A	6/1904	Paver
1,470,199 A	10/1923	Small
1,606,811 A	11/1926	Schilke
2,628,738 A	2/1953	Hilldale
2,870,932 A	1/1959	Davis
3,751,845 A	8/1973	Van Leeuwen
4,759,148 A	7/1988	Love
D297,875 S	9/1988	Carville
4,911,295 A	3/1990	Venegoni

5,109,625 A	5/1992	Skrede	
5,337,892 A	8/1994	Zaffina	
5,386,922 A	2/1995	Jordan	
D360,015 S *	7/1995	Cosby	D22/134
D363,879 S *	11/1995	Krupa	D9/423

(Continued)

FOREIGN PATENT DOCUMENTS

JP	2005-319437	12/1993
JP	2002-1044420	4/2002
KR	20-0405562	1/2006

OTHER PUBLICATIONS

465030 Guide Series™ Tackle Bag 3500 Series. [online] published date unknown. Retrieved on May 10, 2017 from <URL: <http://www.planomolding.com/fishing/2017-new-products/guide-series-tackle-bag-3500-series>>.*

(Continued)

Primary Examiner — Vy N Koenig
Assistant Examiner — Omeed Agilee
(74) *Attorney, Agent, or Firm* — McGuireWoods LLP

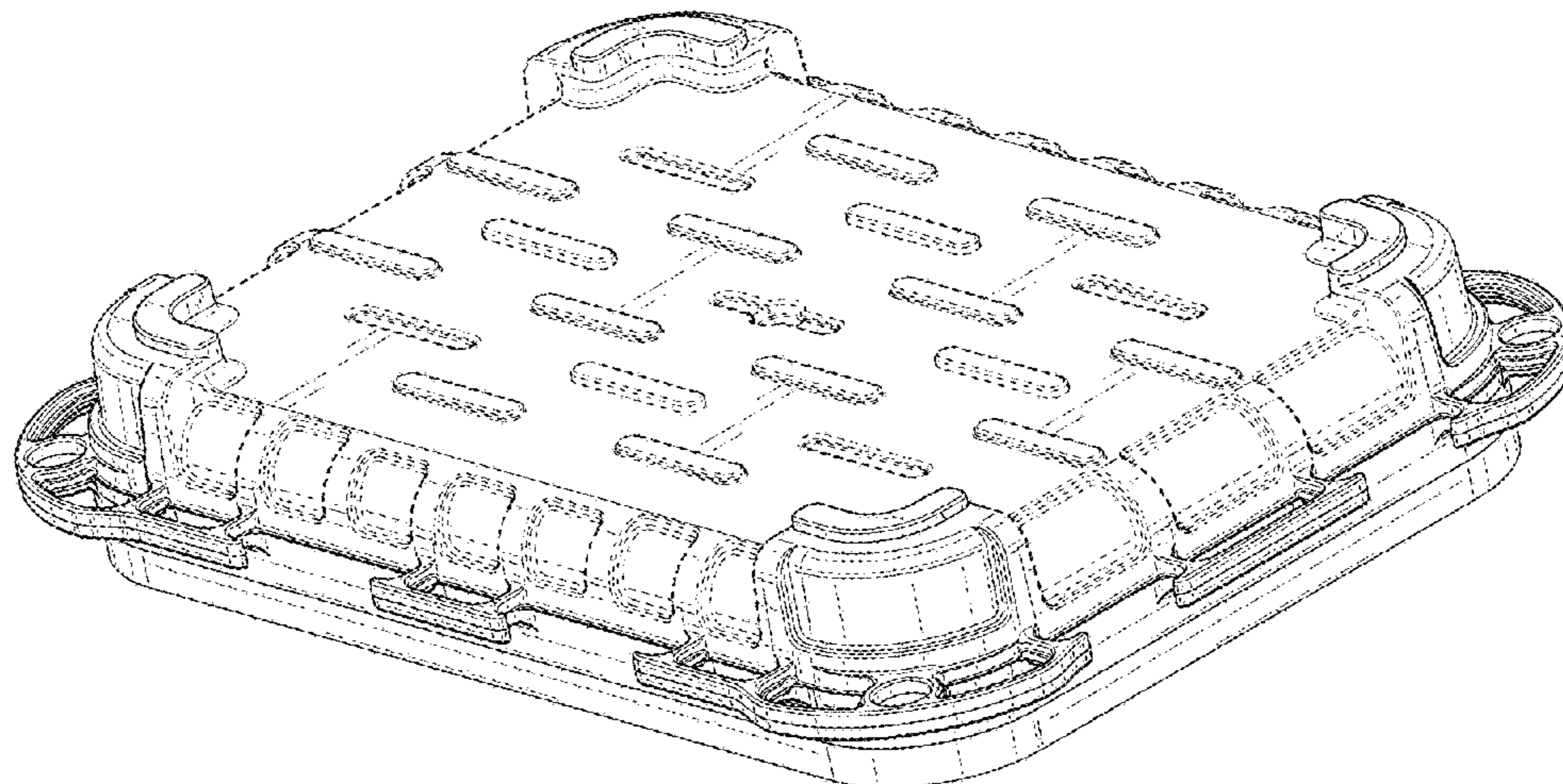
(57) **CLAIM**

I claim the ornamental design for a utility storage base or top, as shown and described.

DESCRIPTION

FIG. 1 is a front, top, right side perspective view of the utility storage base or top, showing my new design; FIG. 2 is a front elevational view thereof; FIG. 3 is a rear elevational view thereof; FIG. 4 is a left elevational side view thereof; FIG. 5 is a right elevational side view thereof; FIG. 6 is a top plan view thereof; and, FIG. 7 is a bottom plan view thereof. The broken lines in the drawings depict portions of the utility storage base or top that form no part of the claimed design.

1 Claim, 5 Drawing Sheets



(56)

References Cited

U.S. PATENT DOCUMENTS

5,547,098 A 8/1996 Jordan
 D374,771 S * 10/1996 Guegan D3/276
 5,659,995 A 8/1997 Hoffman
 5,755,057 A 5/1998 Dancer
 5,802,760 A 9/1998 Campbell
 D409,485 S * 5/1999 Christy, Jr. D9/425
 D448,288 S * 9/2001 Zettle D9/423
 6,460,287 B1 10/2002 Louie
 6,644,494 B2 * 11/2003 Hayes B65D 21/0219
 206/508
 D530,914 S * 10/2006 Jansson D3/282
 D551,975 S * 10/2007 Gomoll D9/435
 D567,656 S 4/2008 Neias
 D573,015 S * 7/2008 Chen D9/425
 D604,604 S * 11/2009 Strange D9/424
 D625,180 S * 10/2010 Enriquez D9/425
 D648,226 S * 11/2011 Golota D9/424
 D668,536 S * 10/2012 Sanfilippo D9/423

D694,619 S * 12/2013 Pham D9/426
 D711,105 S * 8/2014 Brunner D3/281
 D749,412 S * 2/2016 Hu D9/426
 D752,430 S * 3/2016 Stevenson D9/425
 9,511,901 B2 * 12/2016 Lam B65D 25/04
 D780,450 S * 3/2017 Aoki D3/276
 D780,572 S * 3/2017 Zhang D9/425
 D785,938 S * 5/2017 Ou D3/282
 2009/0114646 A1 * 5/2009 Whalen A45C 13/00
 220/4.21
 2011/0000919 A1 1/2011 Whalen

OTHER PUBLICATIONS

International Search Report mailed on related PCT application
 PCT/US10/39172 dated Jan. 12, 2011.
 Translation of KR 20-0405562 abstract provided by Wonsuck Choi
 who is fluent in both the English and Korean languages.

* cited by examiner

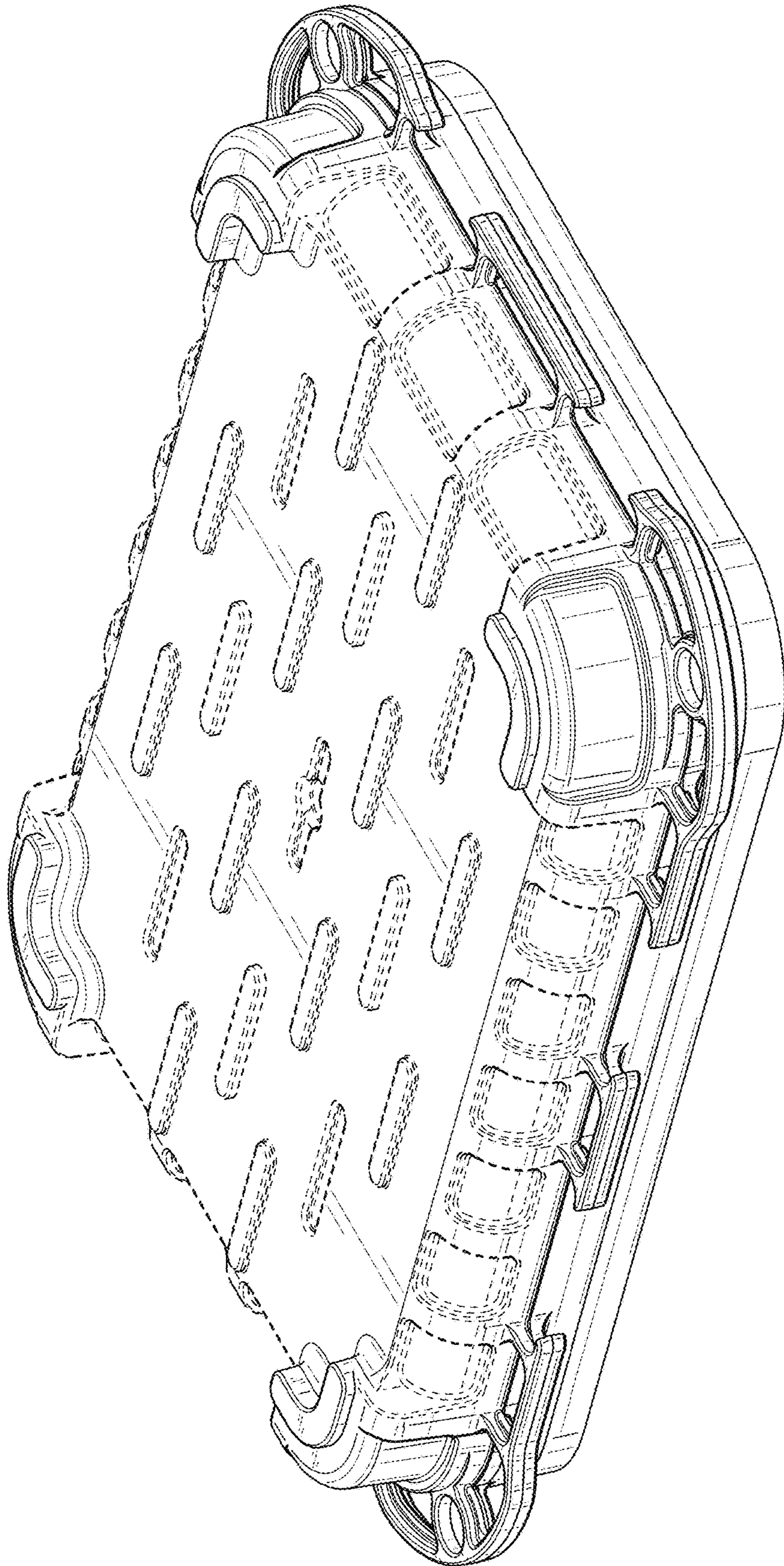


FIG. 1

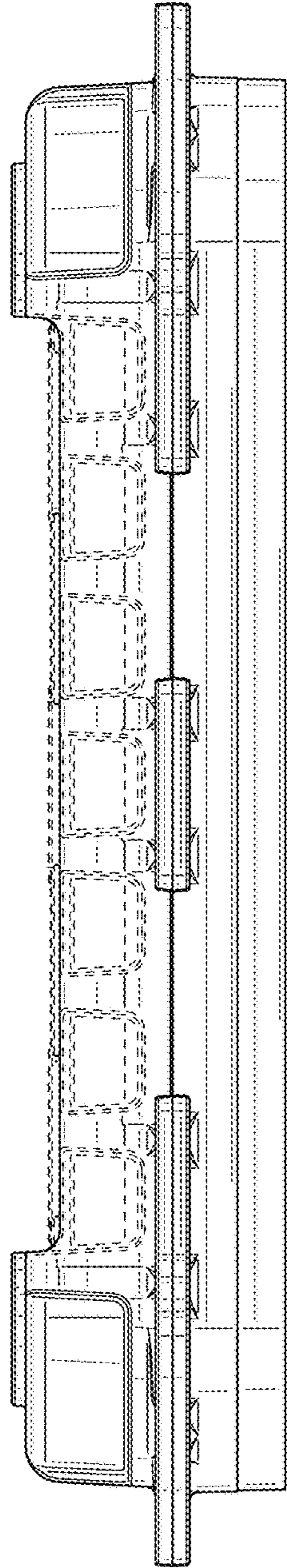


FIG. 2

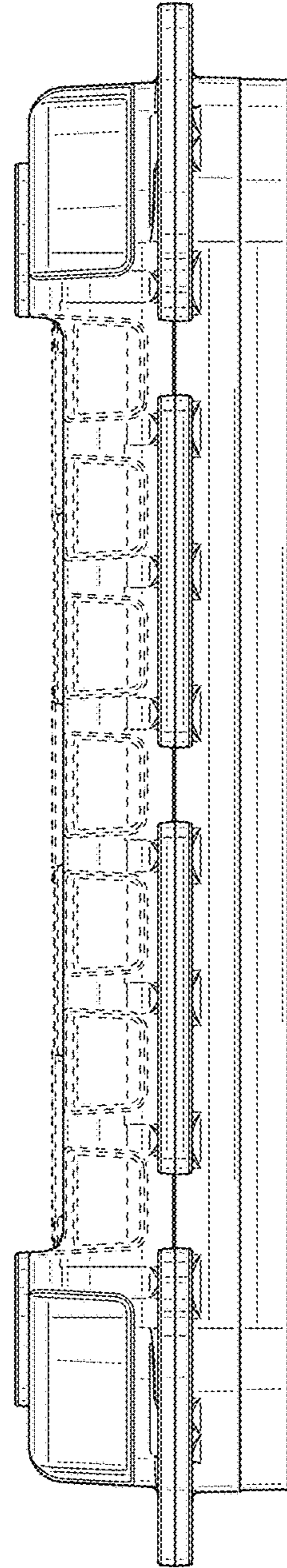


FIG. 3

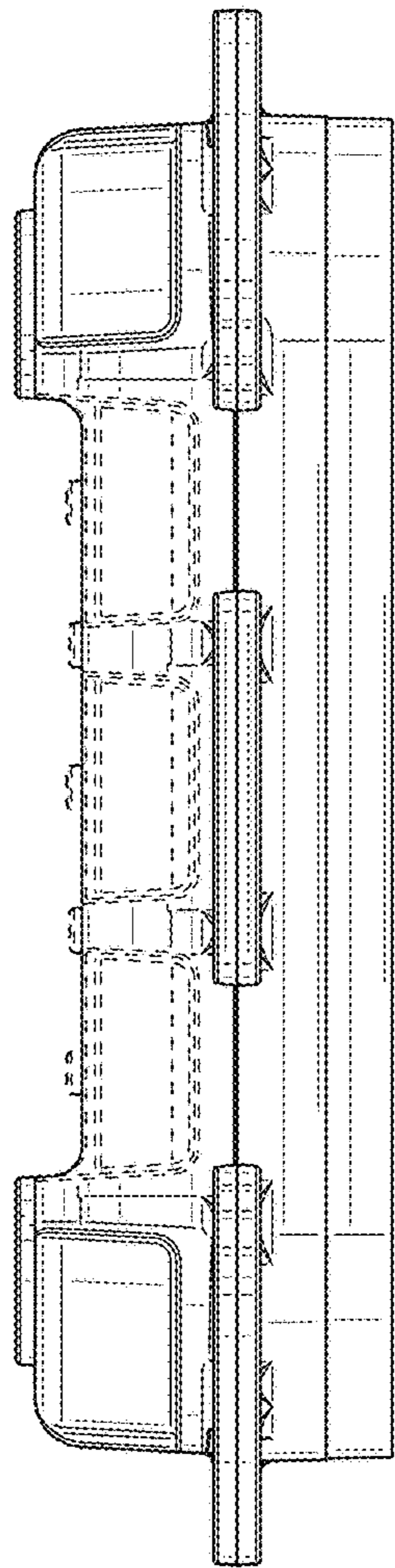


FIG. 4

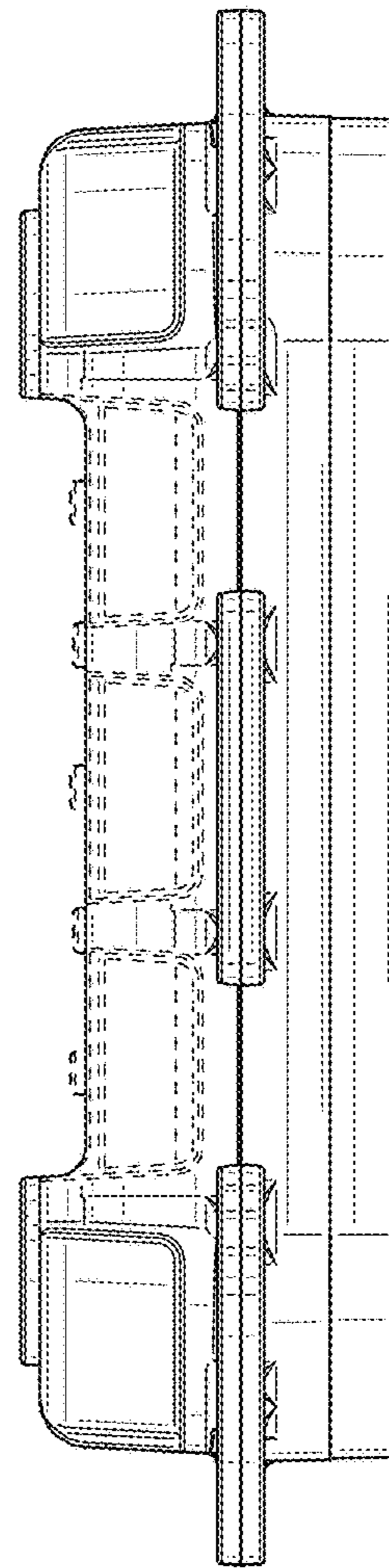


FIG. 5

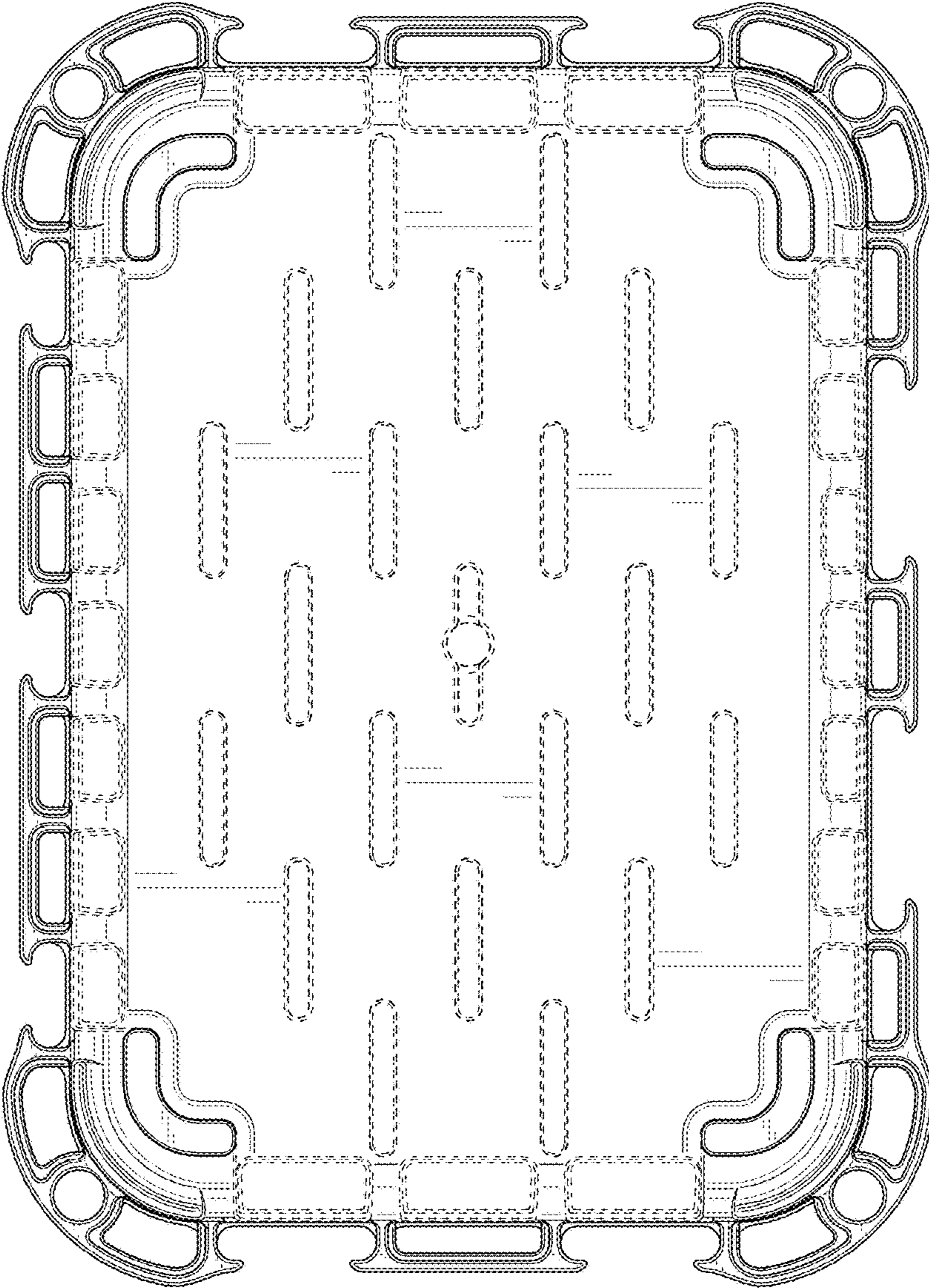


FIG. 6

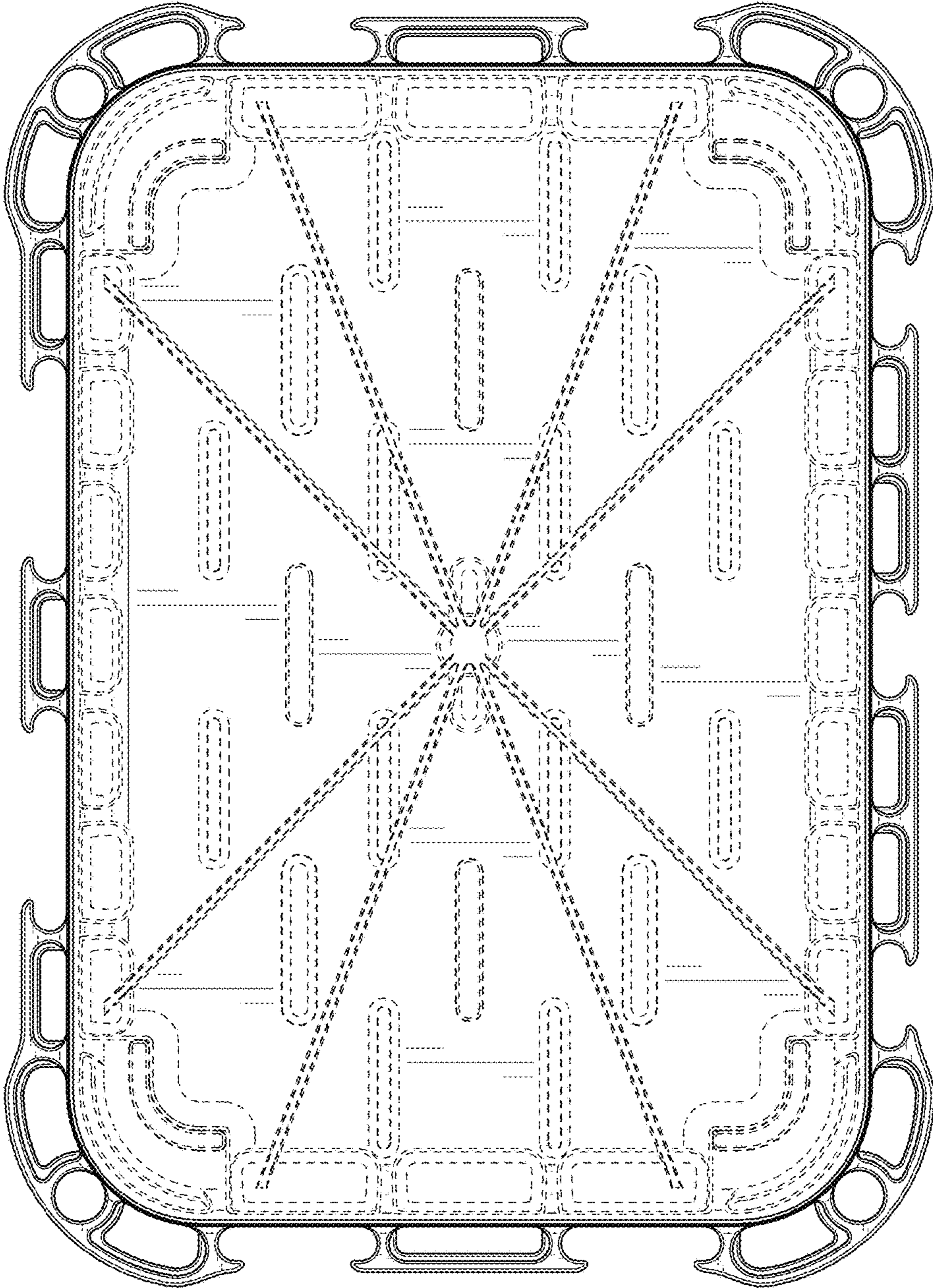


FIG. 7