



US00D801802S

(12) **United States Design Patent** (10) **Patent No.:** **US D801,802 S**  
**Loritz** (45) **Date of Patent:** **\*\* Nov. 7, 2017**

(54) **SQUEEZE-TOP CONTAINER**  
(71) Applicant: **Ken Loritz**, Irvine, CA (US)  
(72) Inventor: **Ken Loritz**, Irvine, CA (US)  
(\*\*) Term: **15 Years**  
(21) Appl. No.: **29/563,144**  
(22) Filed: **May 2, 2016**  
(51) **LOC (10) Cl.** ..... **09-03**  
(52) **U.S. Cl.**  
USPC ..... **D9/415**  
(58) **Field of Classification Search**  
USPC ..... D9/414, 415, 418, 420, 425, 723, 730,  
D9/733; D3/200, 264, 294, 901;  
D28/82; D24/227  
CPC ..... B65D 51/1611; B65D 43/162; B65D  
21/0234; B25H 3/00; B25H 3/003  
See application file for complete search history.

(56) **References Cited**  
U.S. PATENT DOCUMENTS  
D248,543 S \* 7/1978 Stelcheck ..... D9/415  
D261,988 S \* 11/1981 Nichols ..... D9/415  
4,562,937 A \* 1/1986 Iyengar ..... B65D 43/021  
220/791  
D357,115 S \* 4/1995 Abrams ..... D3/264  
5,605,231 A \* 2/1997 Borsboom ..... A47J 47/145  
206/204  
D406,396 S \* 3/1999 Granwehr ..... D28/76  
D414,107 S \* 9/1999 Luh ..... D24/227  
D423,723 S \* 4/2000 Metcalf ..... D28/77  
D466,405 S \* 12/2002 Lee ..... D9/415  
D469,010 S \* 1/2003 Valdez ..... D9/415  
D498,024 S \* 11/2004 Leppla ..... D28/82  
D503,831 S \* 4/2005 Ames ..... D28/78  
D504,064 S \* 4/2005 Lee ..... D9/415

D521,860 S \* 5/2006 Lee ..... D9/415  
D521,861 S \* 5/2006 Lee ..... D9/415  
D524,643 S \* 7/2006 Legrand ..... D9/415  
D531,892 S \* 11/2006 Eberts ..... D9/415  
D544,342 S \* 6/2007 Liebe ..... D28/78  
D544,343 S \* 6/2007 Liebe ..... D28/78  
D560,488 S \* 1/2008 Rust ..... D9/414  
D576,030 S \* 9/2008 Lee ..... D9/415  
D609,085 S \* 2/2010 Brachman ..... D9/415  
D611,805 S \* 3/2010 Barniquel ..... D9/415  
D645,339 S \* 9/2011 Oakes ..... D9/420  
D646,561 S \* 10/2011 Pugh ..... D9/415  
D718,901 S \* 12/2014 Parker ..... D28/82  
D719,703 S \* 12/2014 Parker ..... D28/82  
D726,377 S \* 4/2015 Koo ..... D28/82  
D774,900 S \* 12/2016 Longoni ..... B65D 51/1611  
D9/420

\* cited by examiner

*Primary Examiner* — Wan Laymon  
*Assistant Examiner* — Clint A Samuel  
(74) *Attorney, Agent, or Firm* — Kafantaris Law Offices;  
Theo Kafantaris

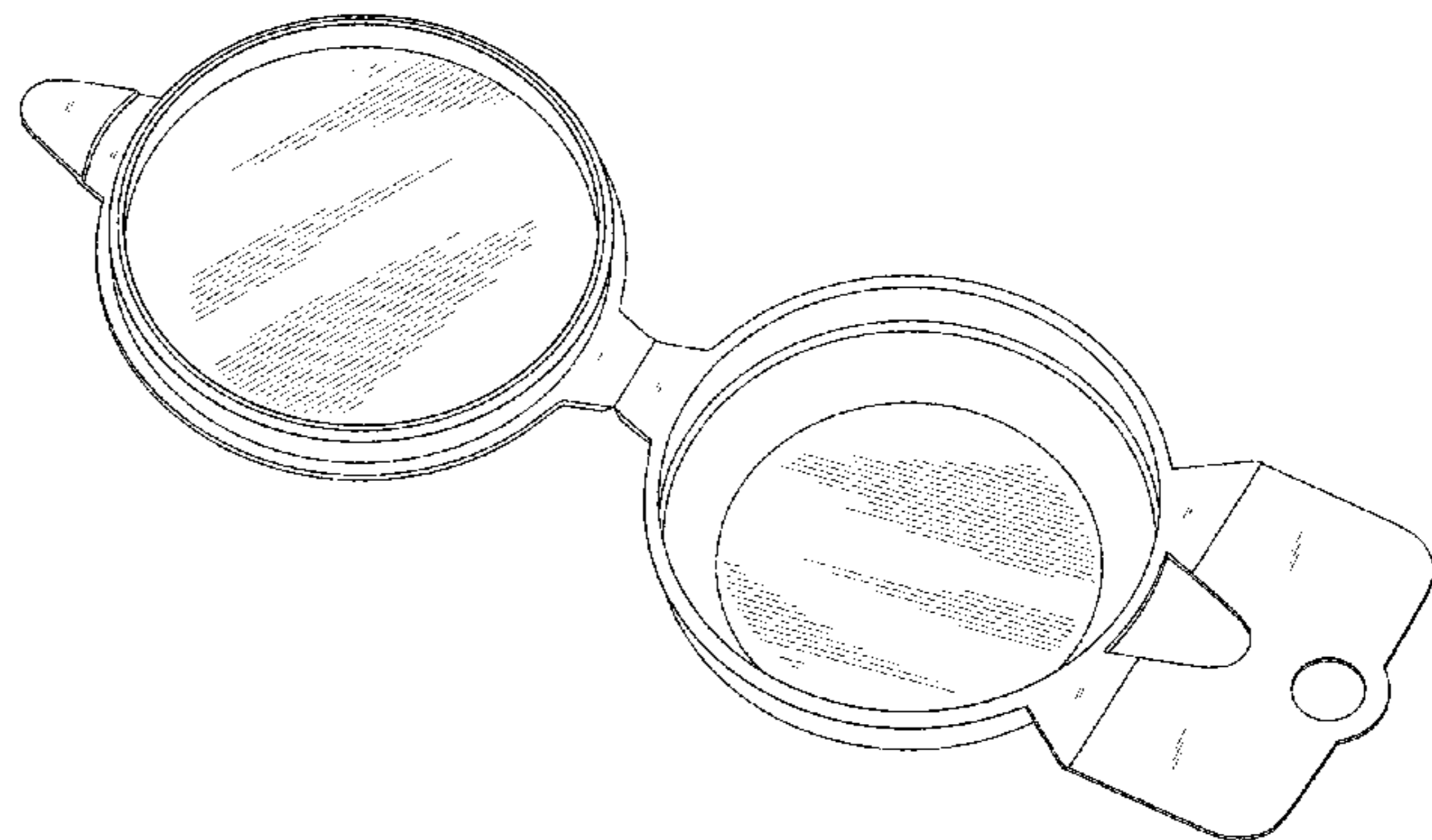
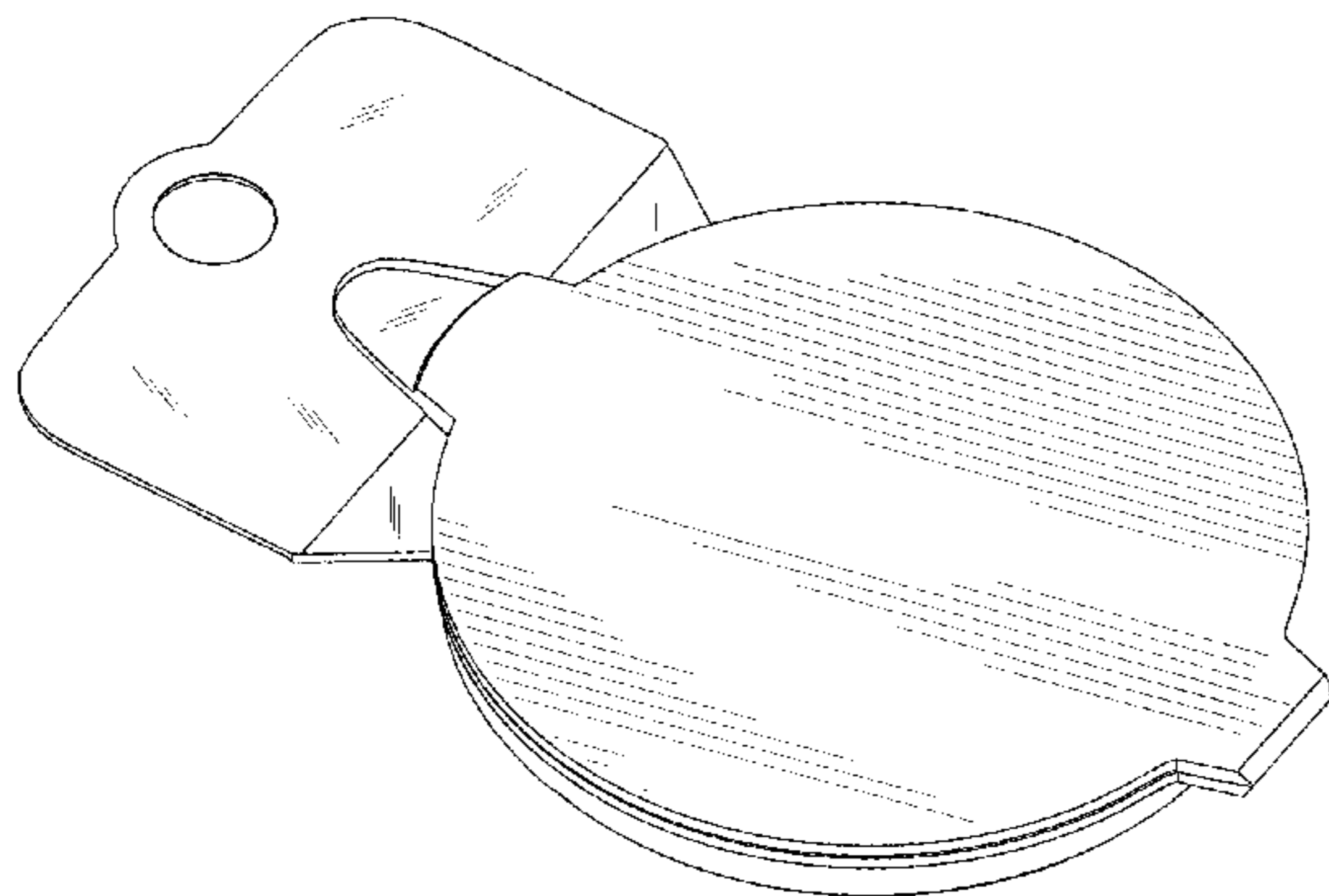
(57) **CLAIM**

The ornamental design for a squeeze-top container, as shown and described.

**DESCRIPTION**

FIG. 1 is a front perspective view of the squeeze-top container showing my new design;  
FIG. 2 is a rear perspective view with cap open;  
FIG. 3 is a top plan view with cap closed;  
FIG. 4 is a bottom plan view with cap open;  
FIG. 5 is a bottom plan view with cap closed;  
FIG. 6 is a rear elevational view thereof;  
FIG. 7 is a side elevational view thereof; and,  
FIG. 8 is a side elevational view with cap open.

**1 Claim, 5 Drawing Sheets**



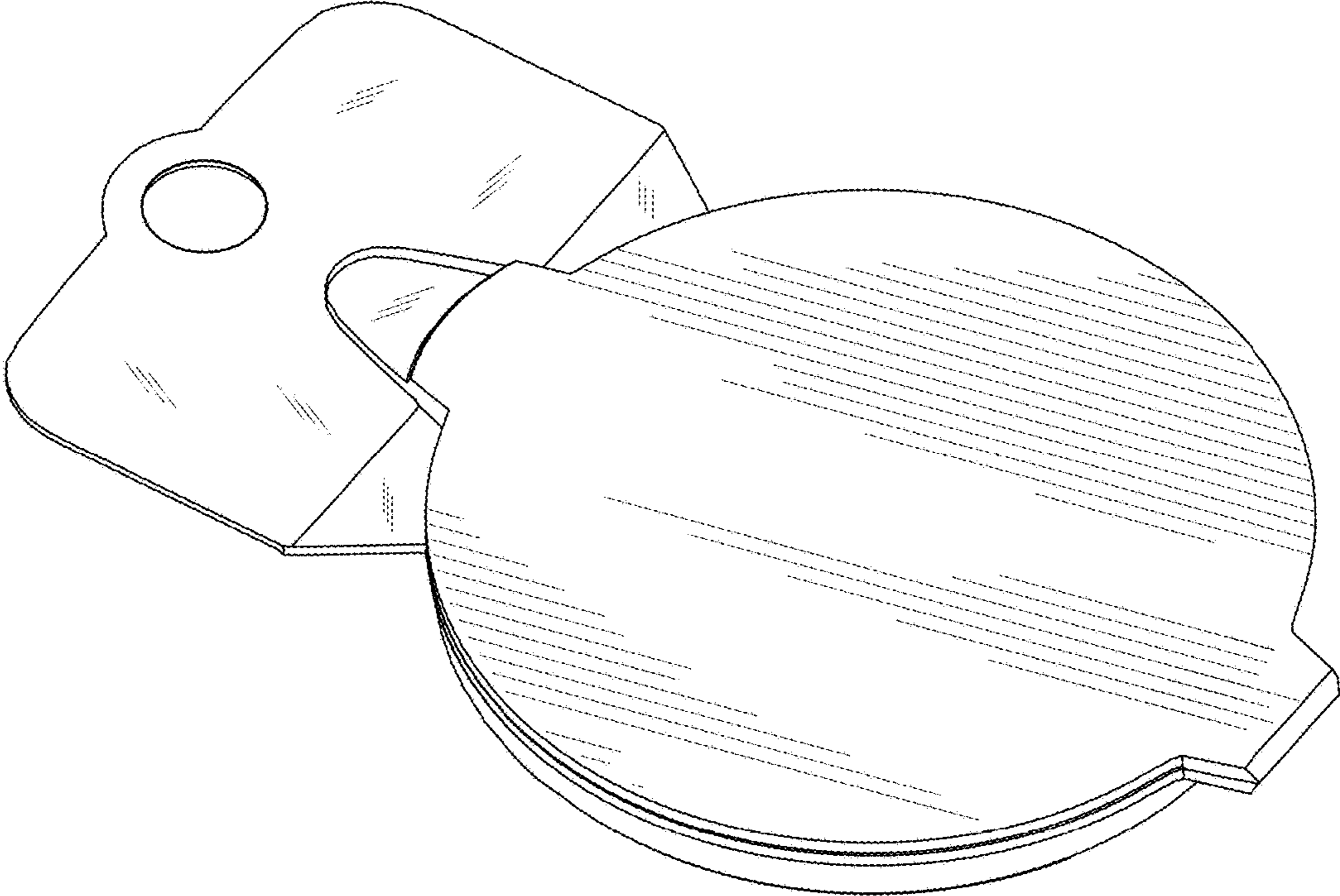


FIG. 1

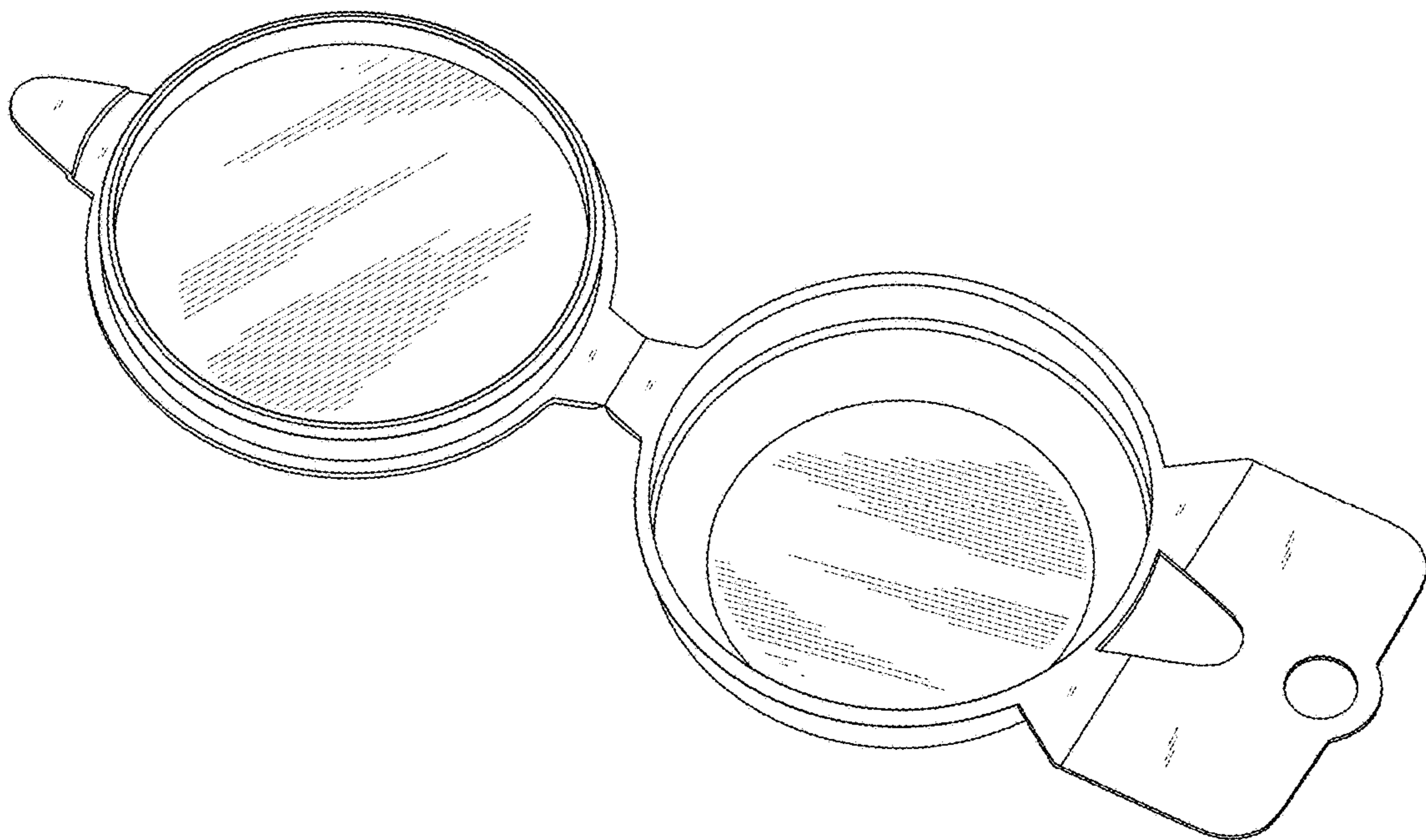


FIG. 2

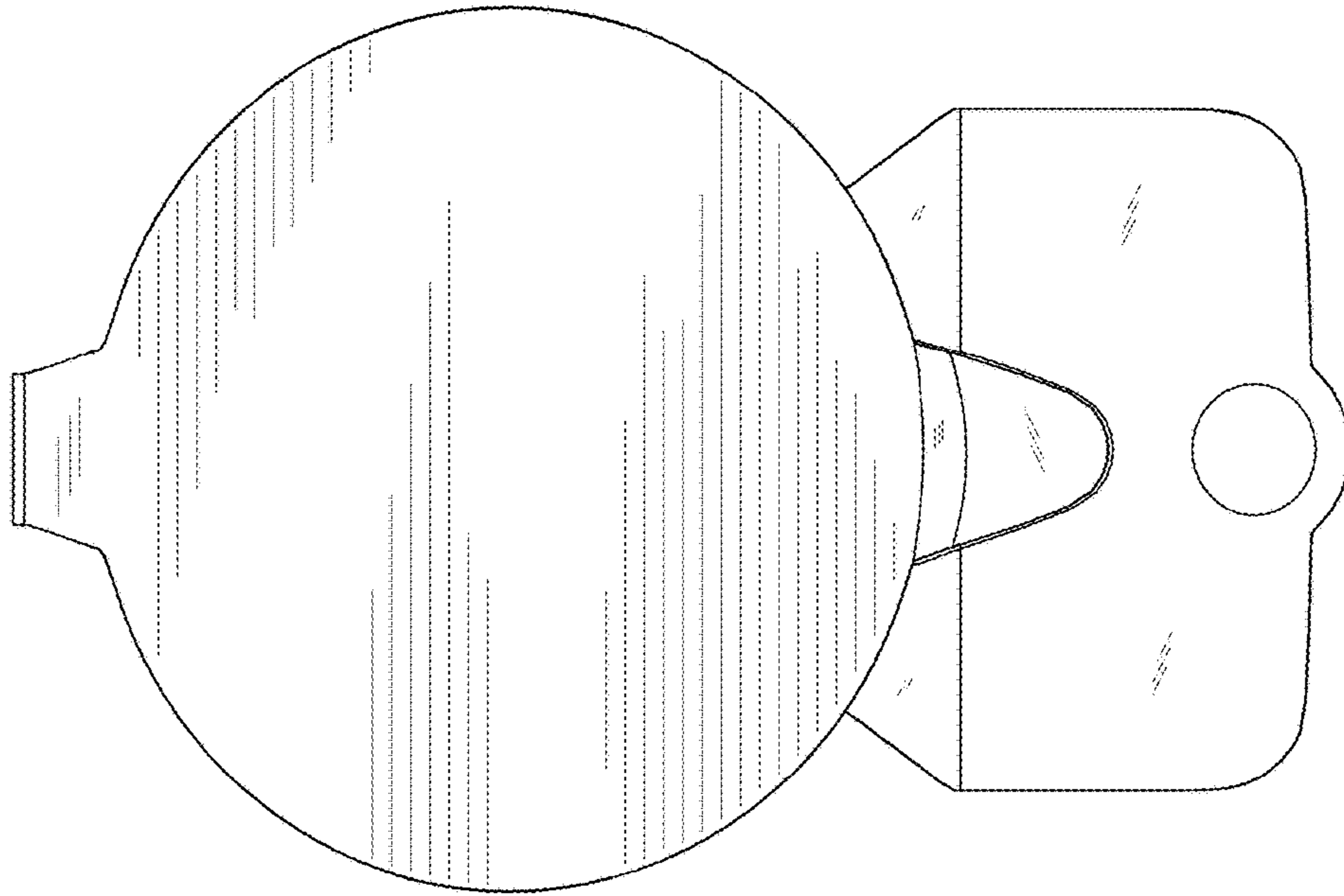


FIG. 3

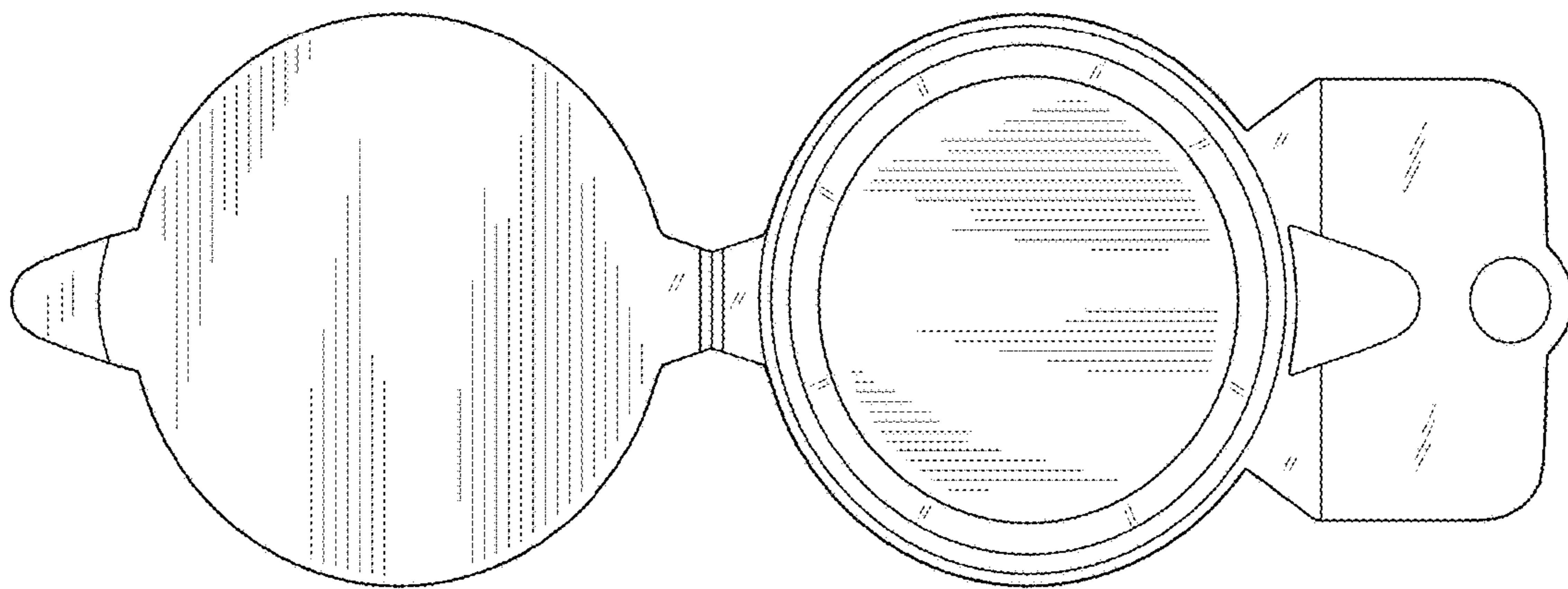


FIG. 4



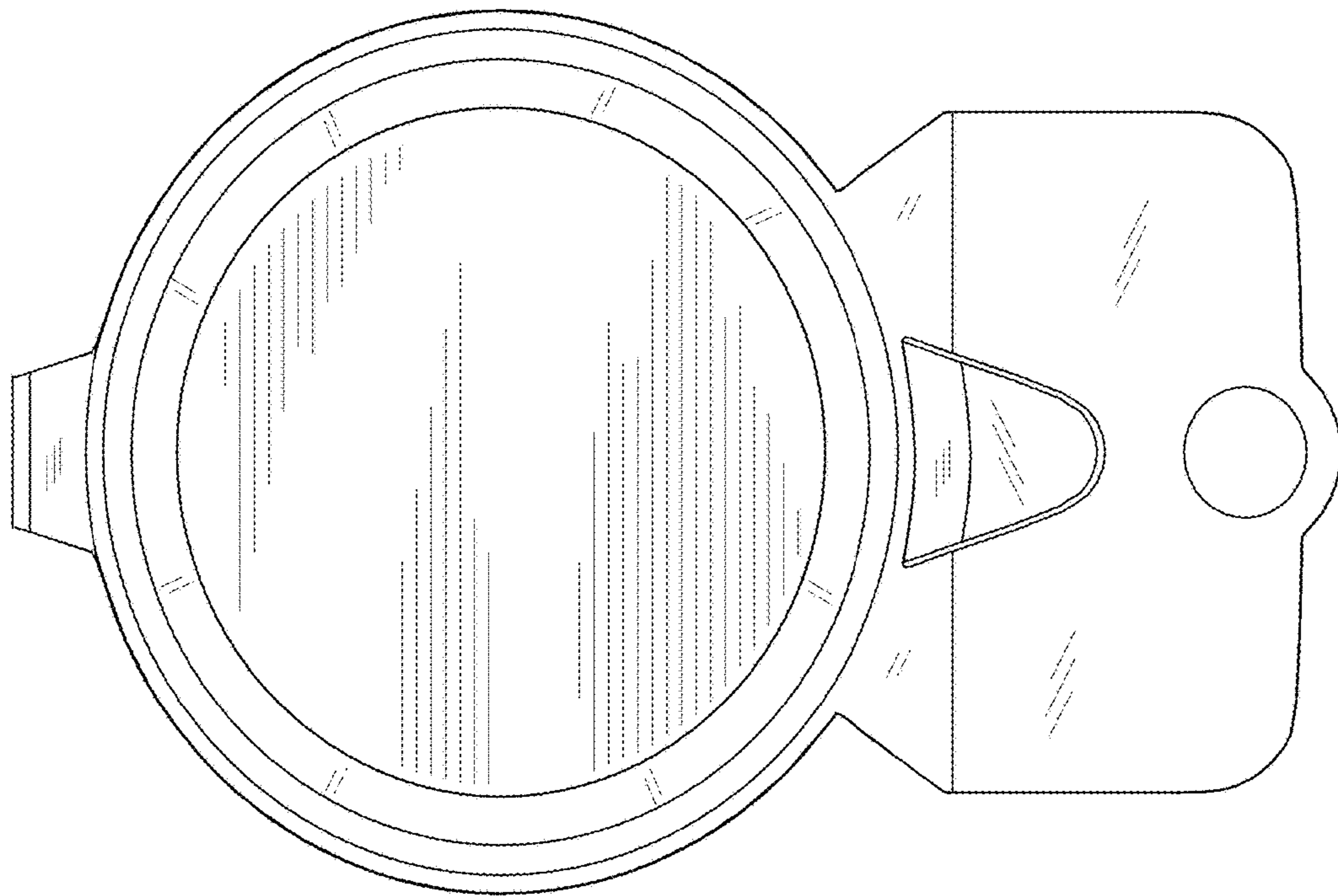


FIG. 5

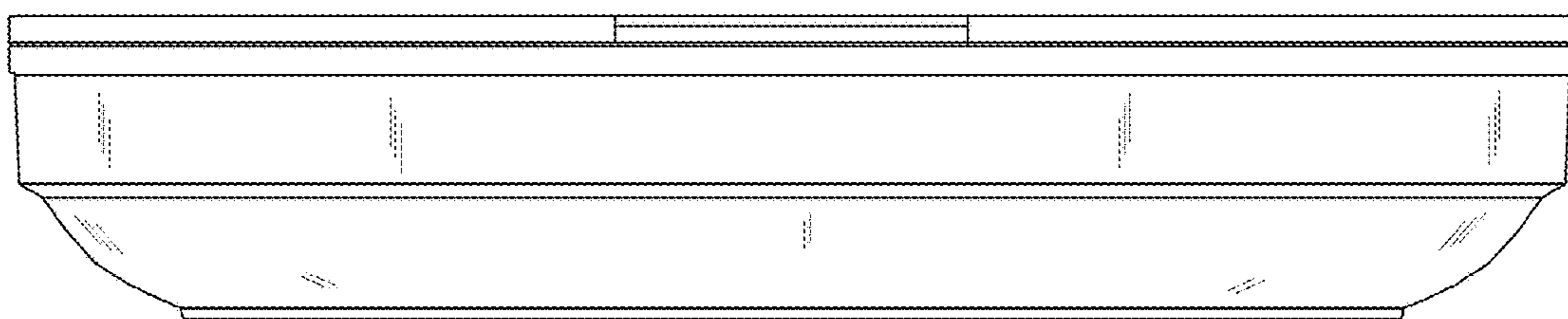


FIG. 6

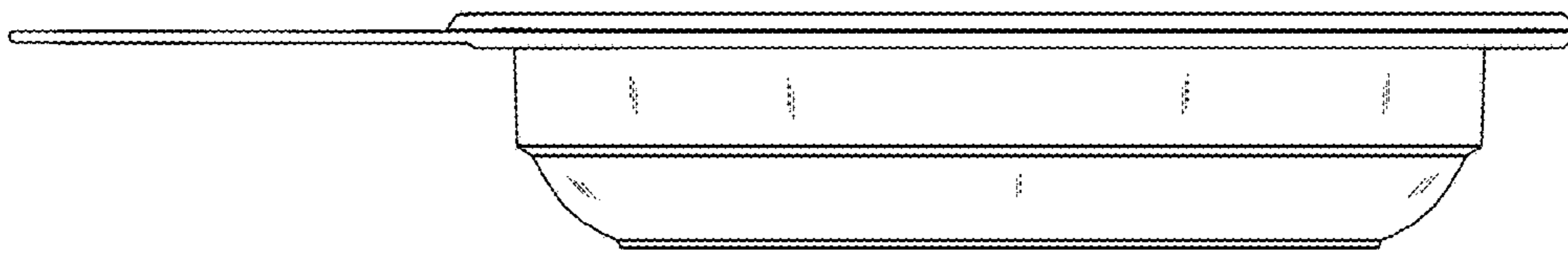


FIG. 7

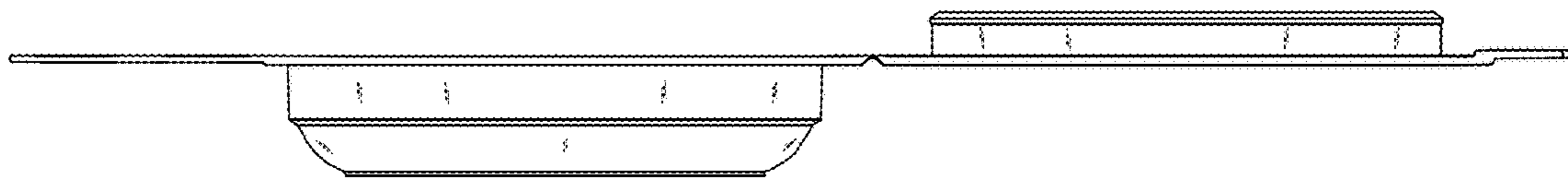


FIG. 8