



US00D801798S

(12) **United States Design Patent**  
**Teng et al.**

(10) **Patent No.:** **US D801,798 S**

(45) **Date of Patent:** **\*\* Nov. 7, 2017**

(54) **CUSHION DEVICE**

(71) Applicant: **Acer Incorporated**, New Taipei (TW)

(72) Inventors: **Fu-Sheng Teng**, New Taipei (TW);  
**I-Huei Huang**, New Taipei (TW)

(73) Assignee: **ACER INCORPORATED**, New Taipei (TW)

(\*\*) Term: **15 Years**

(21) Appl. No.: **29/530,641**

(22) Filed: **Jun. 18, 2015**

(30) **Foreign Application Priority Data**

Dec. 18, 2014 (TW) ..... 103307456

(51) **LOC (10) Cl.** ..... **08-09**

(52) **U.S. Cl.**  
USPC ..... **D8/403**

(58) **Field of Classification Search**  
USPC ..... D21/824, 837, 838, 811, 814; D25/17,  
D25/18, 56

CPC . E04H 15/20; E04H 15/324; E04H 2015/201;  
E04H 2015/204; E04H 2015/206; A45B  
19/02

See application file for complete search history.

(56) **References Cited**

**U.S. PATENT DOCUMENTS**

D81,032 S \* 4/1930 Todd ..... D8/403  
D201,008 S \* 5/1965 Gray ..... D8/403  
D246,625 S \* 12/1977 Becker, III ..... D8/403  
D394,802 S \* 6/1998 Brandes ..... D8/403  
D411,739 S \* 6/1999 Havens ..... D8/403

D412,436 S \* 8/1999 Tsui ..... D8/403  
D431,772 S \* 10/2000 Tsui ..... D8/403  
D530,193 S \* 10/2006 Goldenberg ..... D8/400  
D625,595 S \* 10/2010 Park ..... D8/402  
D625,596 S \* 10/2010 Park ..... D8/402

**OTHER PUBLICATIONS**

4 pcs Baby Furniture Corner Safety Bumper Security Table Desk Corner Edge U type Protector Guard Cushion Softener (Black) posted by sphtoeo on Feb. 16, 2014 found on Jun. 20, 2017 at [https://www.amazon.com/Furniture-Security-Protector-Cushion-Softener/dp/B00EMZ37CC/ref=cm\\_cr\\_ar\\_p\\_d\\_pdt\\_img\\_top?ie=UTF8&th=1](https://www.amazon.com/Furniture-Security-Protector-Cushion-Softener/dp/B00EMZ37CC/ref=cm_cr_ar_p_d_pdt_img_top?ie=UTF8&th=1).\*

\* cited by examiner

*Primary Examiner* — Robert M Spear

*Assistant Examiner* — Eliza Bennett-Hattan

(74) *Attorney, Agent, or Firm* — McClure, Qualey & Rodack, LLP

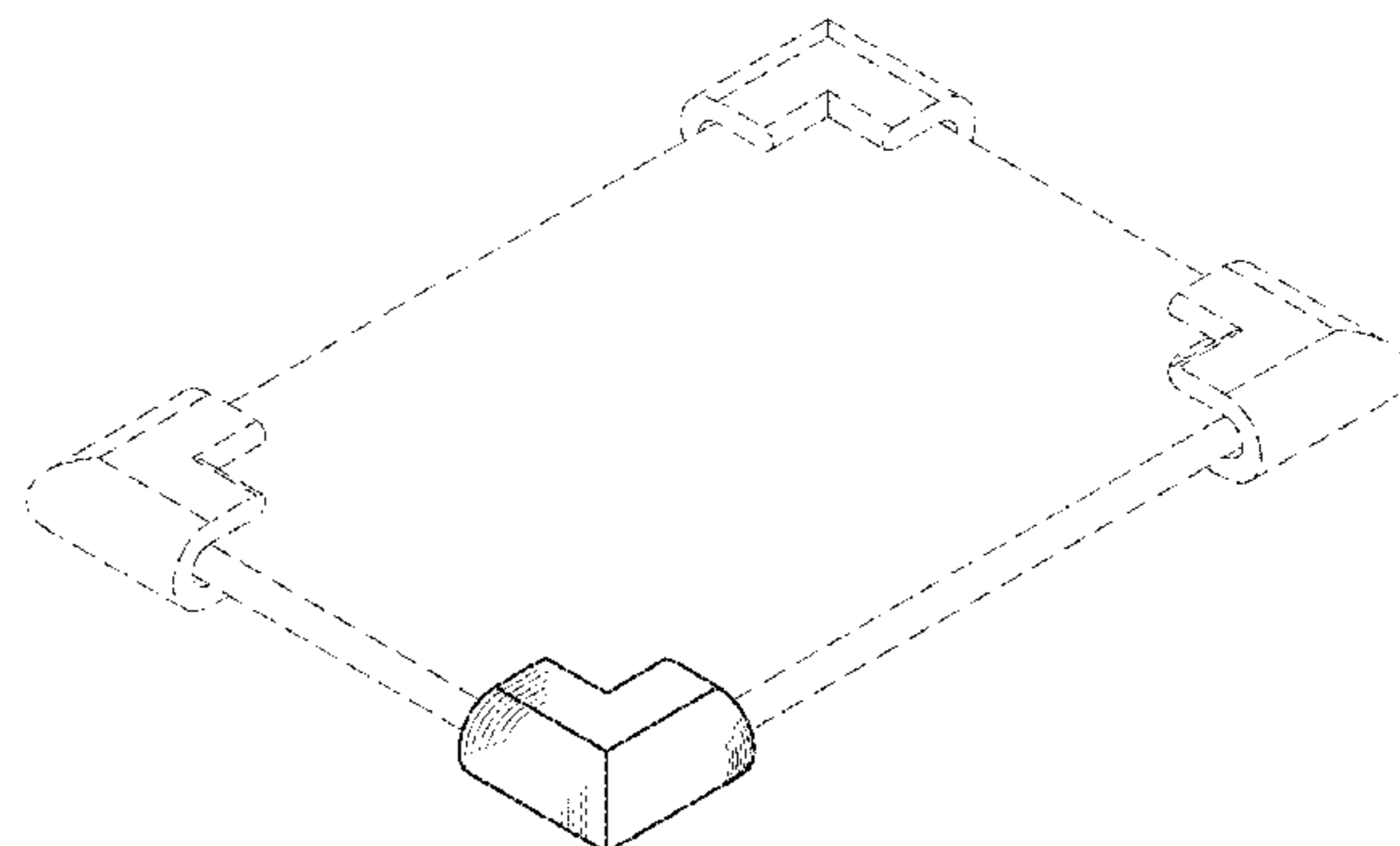
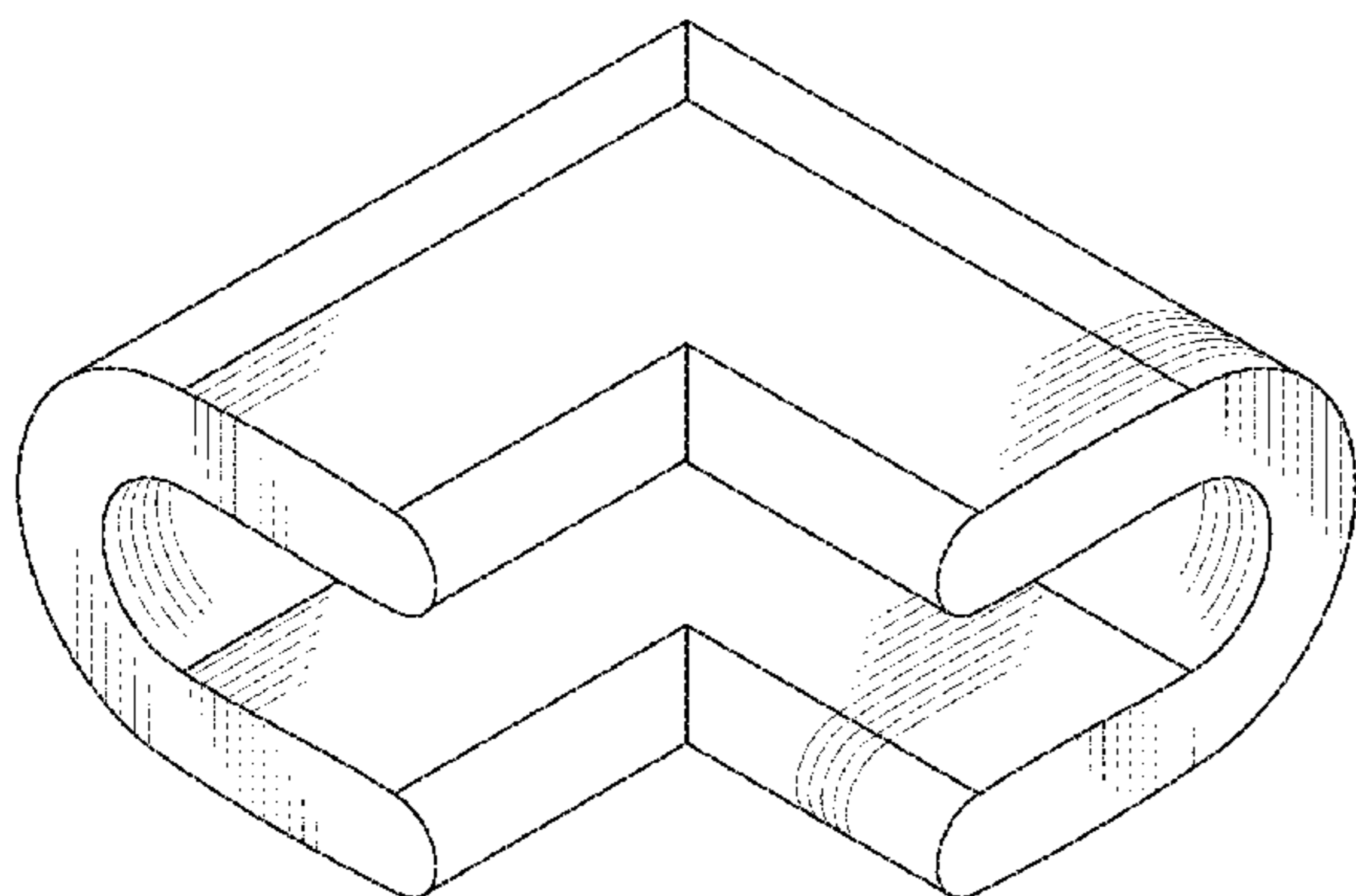
(57) **CLAIM**

The ornamental design for a cushion device, as shown and described.

**DESCRIPTION**

FIG. 1 is a perspective view thereof;  
FIG. 2 is a front view thereof;  
FIG. 3 is a rear view thereof;  
FIG. 4 is a left side view thereof;  
FIG. 5 is a right side view thereof;  
FIG. 6 is a top view thereof;  
FIG. 7 is a bottom view thereof; and,  
FIG. 8 is an exemplary diagram of the use of the cushion device thereof, the broken lines depict environmental subject matter only and form no part of the claimed design.

**1 Claim, 8 Drawing Sheets**



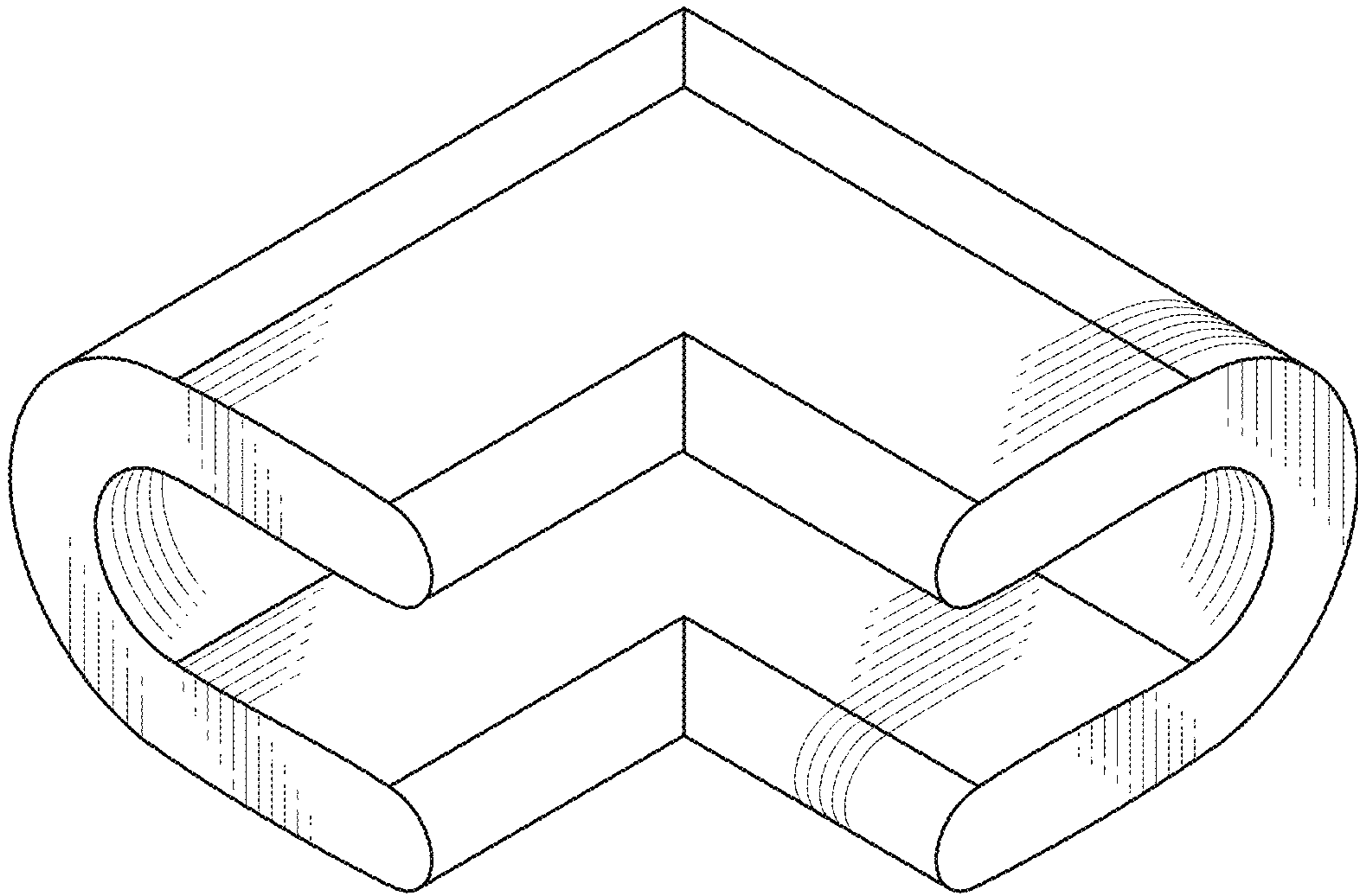


FIG. 1

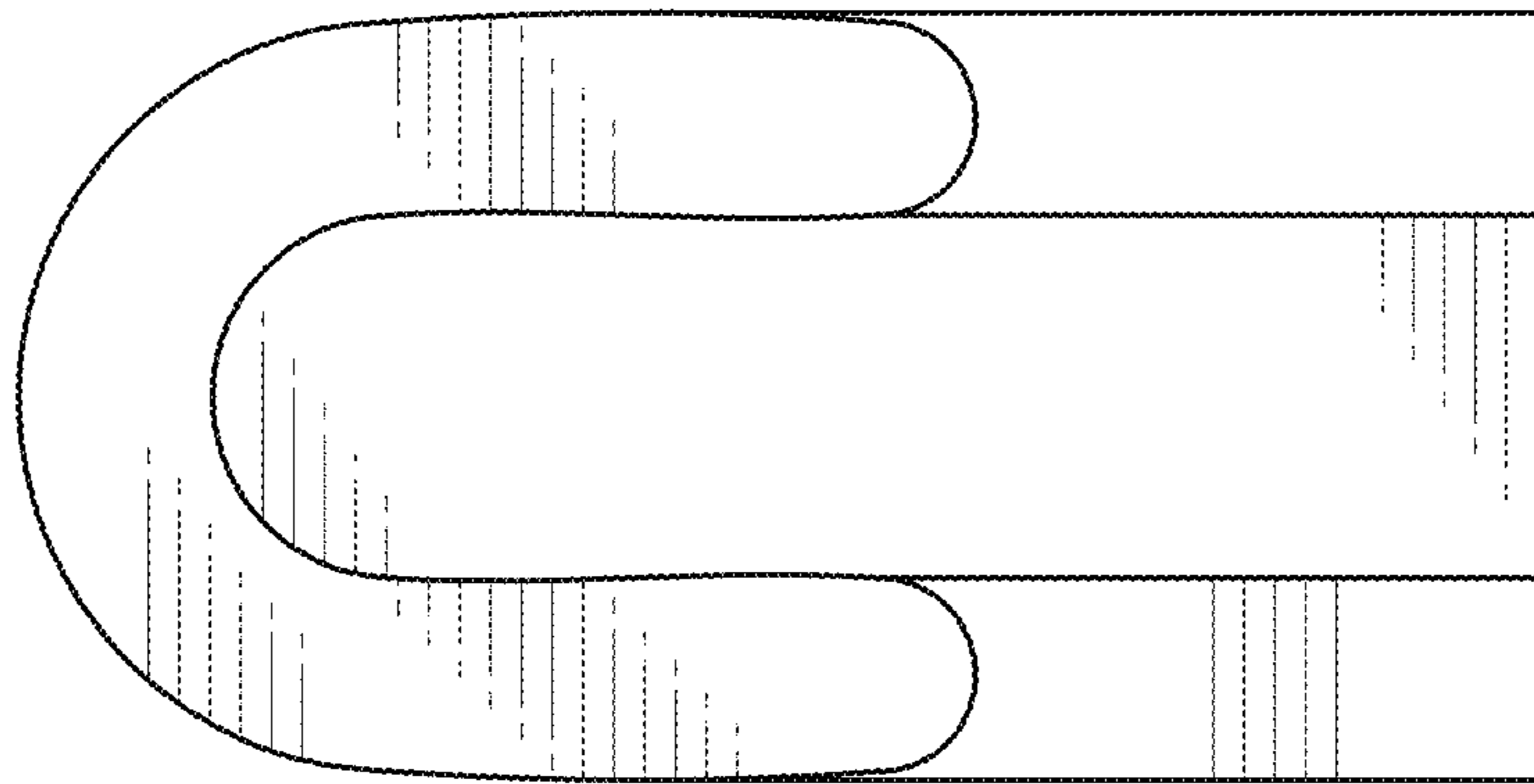


FIG. 2

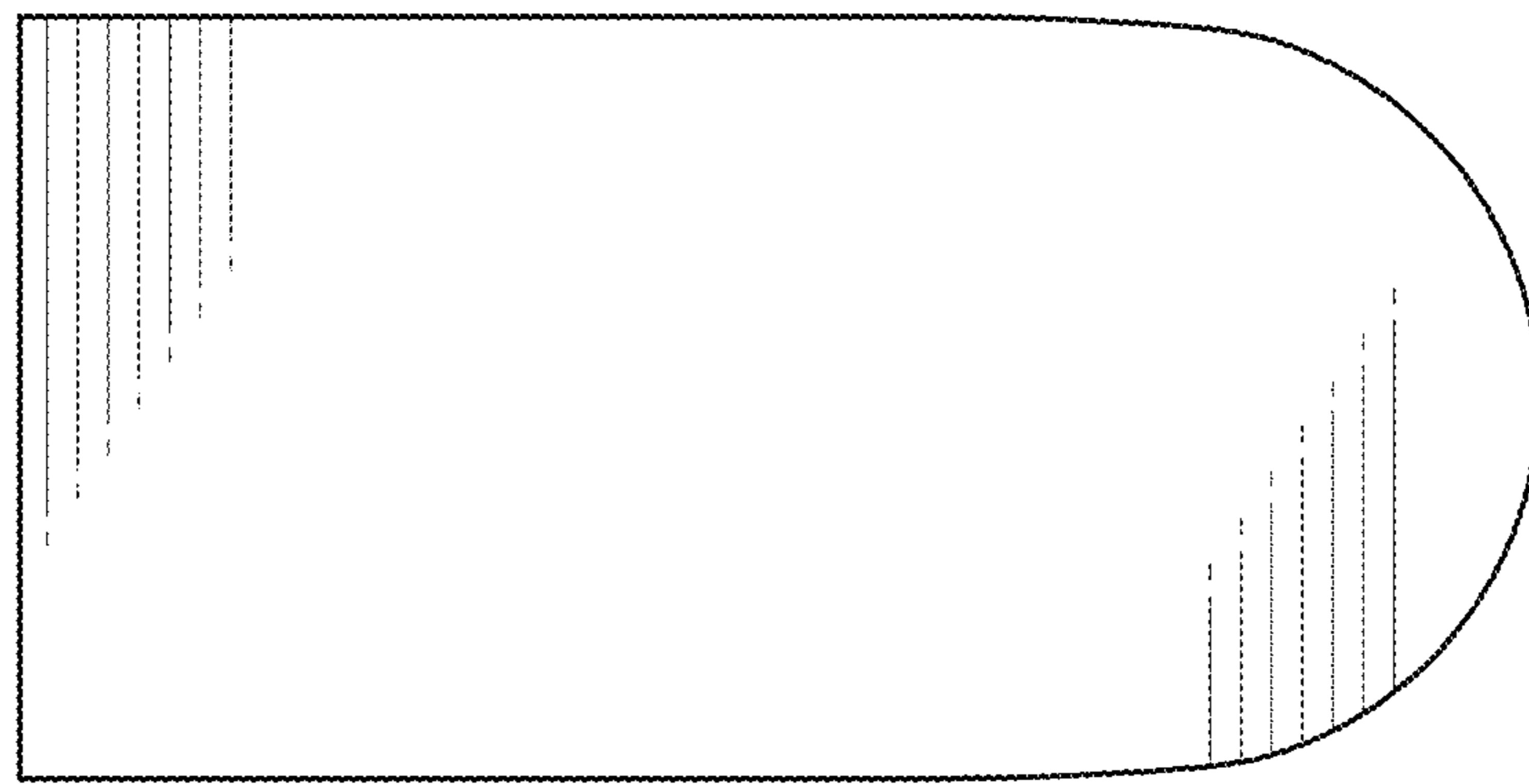


FIG. 3

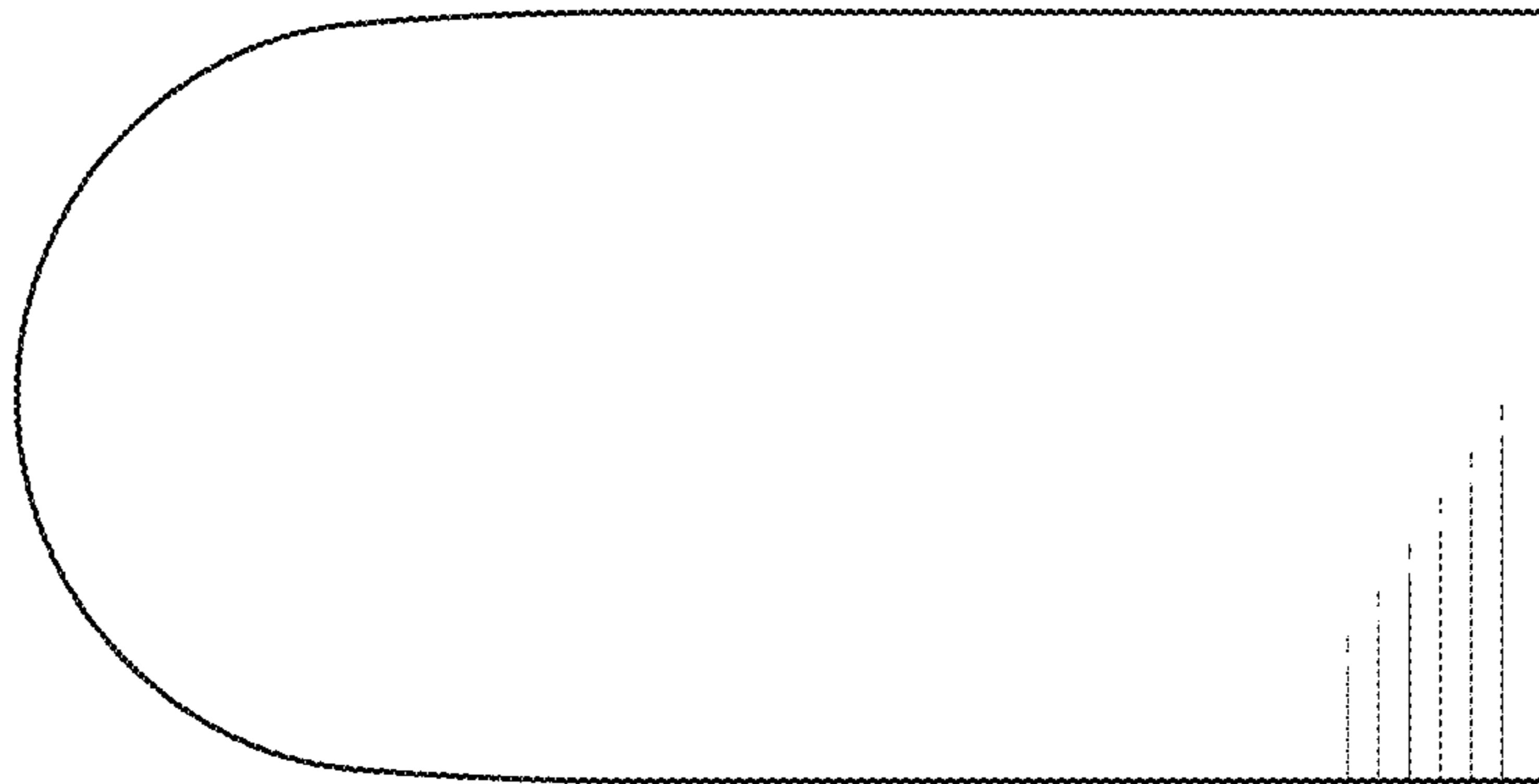


FIG. 4

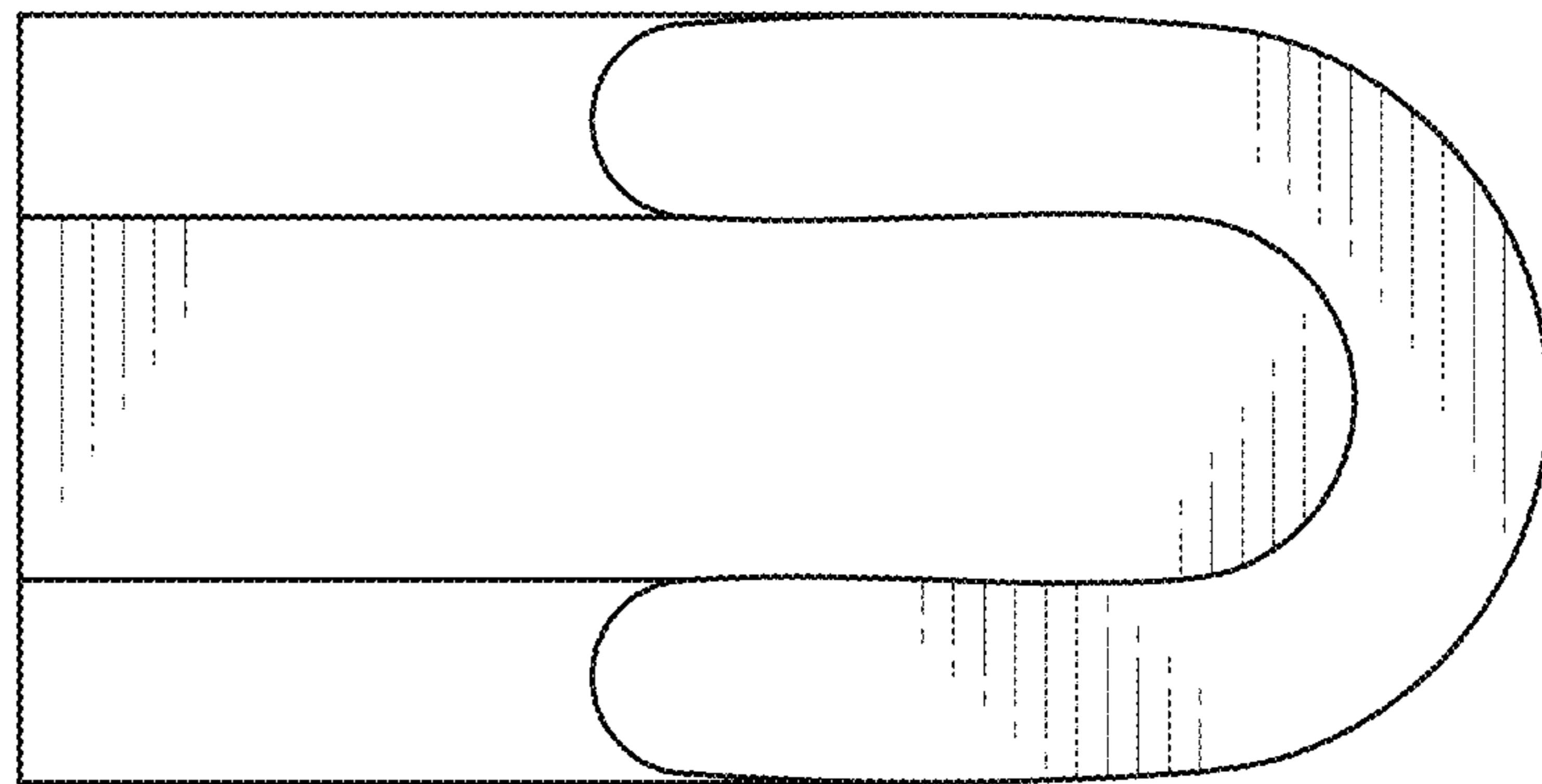


FIG. 5

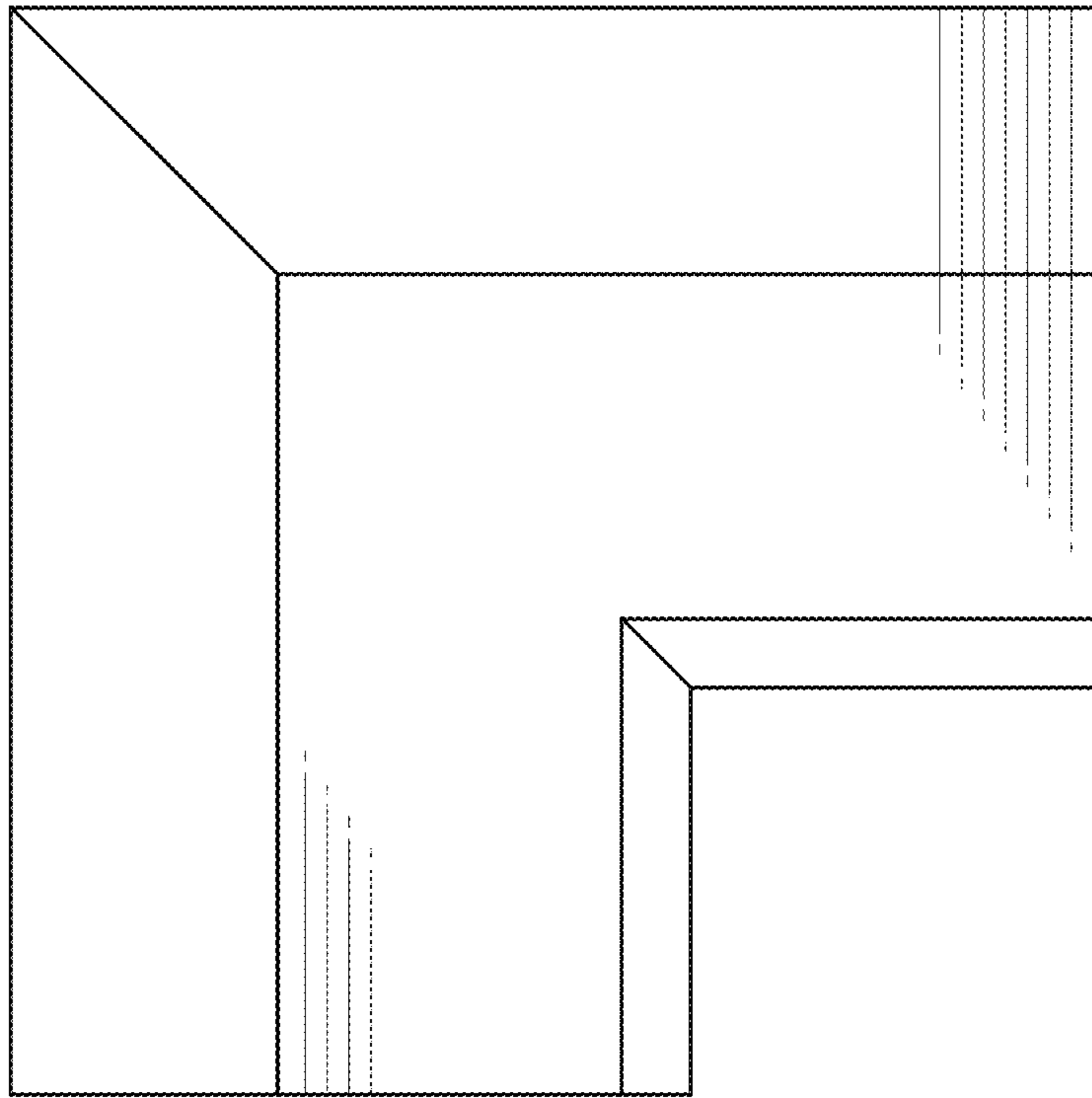


FIG. 6

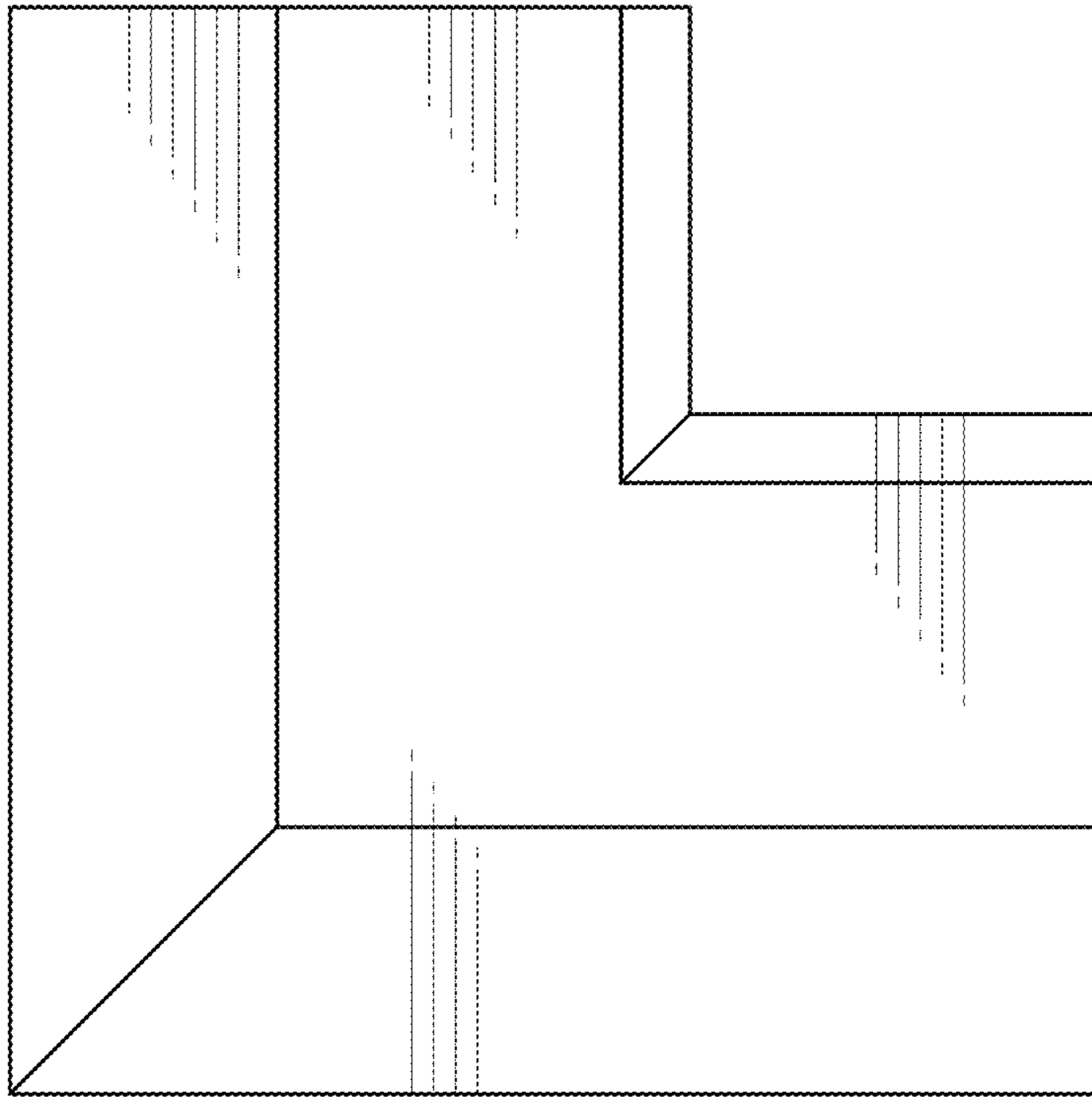


FIG. 7



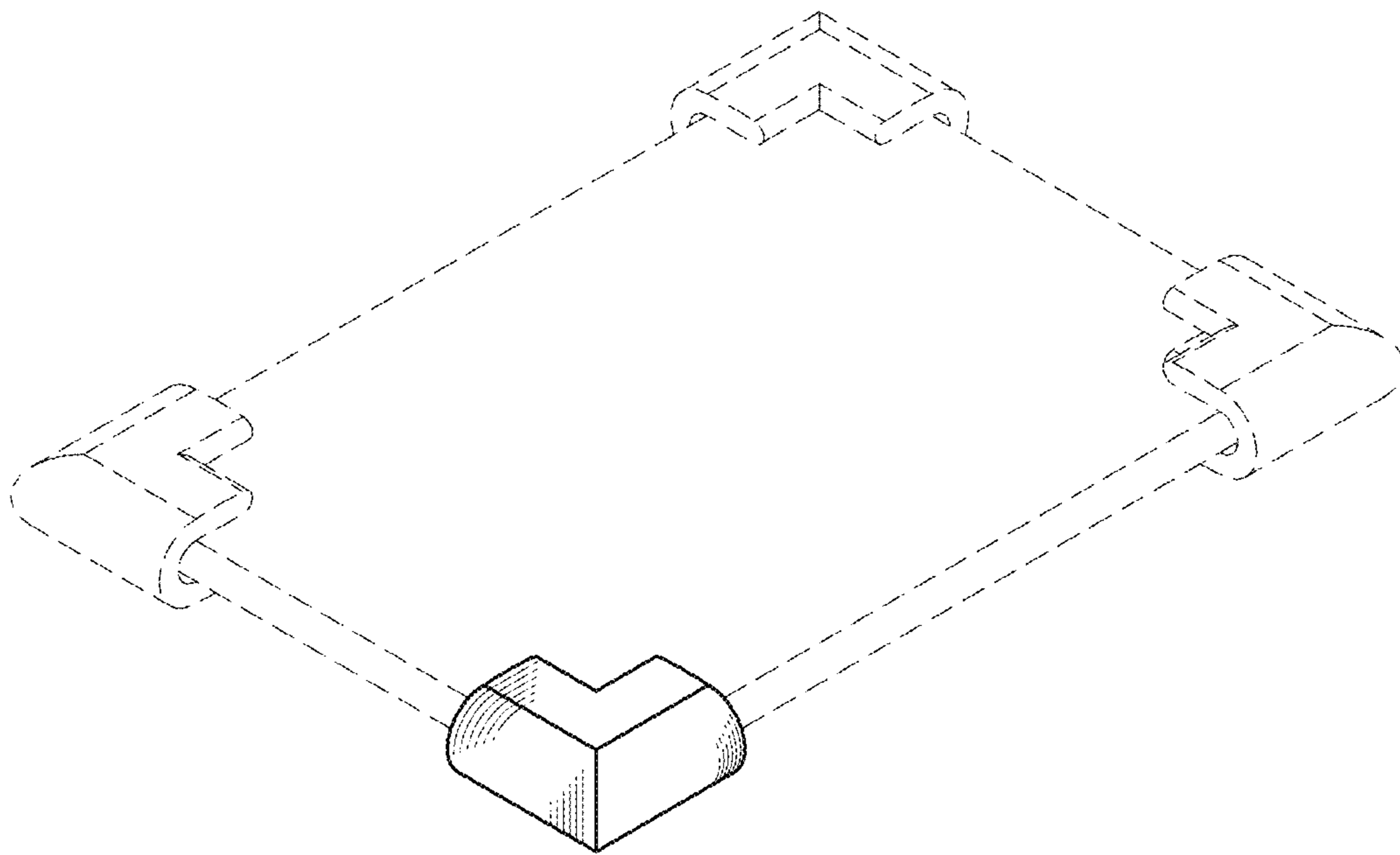


FIG. 8