



US00D801795S

(12) **United States Design Patent**  
**Huang et al.**

(10) **Patent No.:** **US D801,795 S**  
(45) **Date of Patent:** **\*\* Nov. 7, 2017**

(54) **CONNECTOR**  
(71) Applicants: **Sz-Lung Huang**, Taichung (TW);  
**Bo-Tsangi Huang**, Taichung (TW)  
(72) Inventors: **Sz-Lung Huang**, Taichung (TW);  
**Bo-Tsangi Huang**, Taichung (TW)  
(\*\*) Term: **15 Years**

6,874,971 B2 \* 4/2005 Albaugh ..... F16B 2/04  
403/297  
D553,968 S \* 10/2007 Skinner ..... D8/382  
D625,984 S \* 10/2010 McGrath ..... D8/355  
D634,816 S \* 3/2011 Qian ..... D23/259  
D720,608 S \* 1/2015 Yamaguchi ..... D8/382  
D742,720 S \* 11/2015 Perry ..... D8/349  
D762,463 S \* 8/2016 Espinosa, Jr. .... D8/382  
D763,067 S \* 8/2016 Monsees ..... D8/382  
D783,390 S \* 4/2017 Nelson ..... D8/349  
D784,122 S \* 4/2017 Grangruth ..... D8/382

(Continued)

(21) Appl. No.: **29/583,942**  
(22) Filed: **Nov. 10, 2016**

*Primary Examiner* — Sandra Snapp  
*Assistant Examiner* — Ieisha Price

(30) **Foreign Application Priority Data**

(74) *Attorney, Agent, or Firm* — Muncy, Geissler, Olds & Lowe, P.C.

May 12, 2016 (TW) ..... 105302643

(51) **LOC (10) Cl.** ..... **08-08**  
(52) **U.S. Cl.**  
USPC ..... **D8/382**

(57) **CLAIM**

We claim the ornamental design for a connector, as shown and described.

(58) **Field of Classification Search**  
USPC ..... D8/349, 354, 373, 380, 381, 382, 499;  
D6/328, 702, 512, 513, 572, 573, 681;  
D23/259, 262, 263, 499  
CPC ..... A47B 47/0008; A47B 47/0016; A47B  
47/0058; A47B 47/0033; A47B 47/0041;  
A47B 47/005; A47B 47/028; F16B 12/40;  
F16B 12/44; F16B 2012/403; F16B  
2012/406; F16B 7/0486; F16B 7/0426;  
Y10T 403/42; Y10T 403/4602  
See application file for complete search history.

**DESCRIPTION**

FIG. 1 is a right, front, top perspective view of a connector showing our new design;  
FIG. 2 is a front elevational view thereof  
FIG. 3 is a rear elevational view thereof;  
FIG. 4 is a left side view thereof;  
FIG. 5 is a right side view thereof;  
FIG. 6 is a top plan view thereof;  
FIG. 7 is a bottom plan view thereof;  
FIG. 8 is a right, rear, top perspective view of the connector thereof;  
FIG. 9 is a cross-sectional view of the connector, taken along line 9-9 in FIG. 6; and,  
FIG. 10 is an environmental perspective view of the connector.

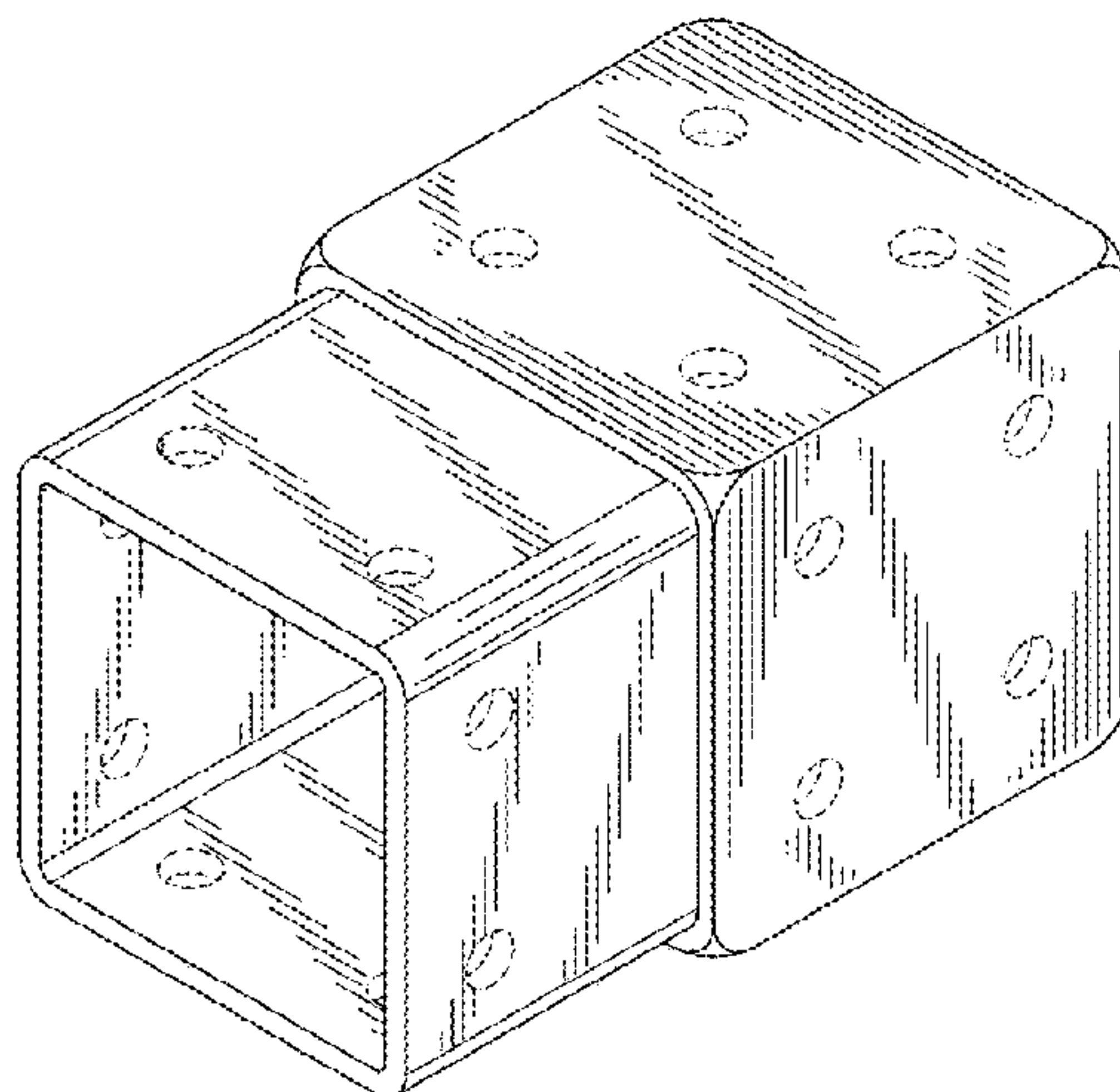
(56) **References Cited**

**U.S. PATENT DOCUMENTS**

4,082,470 A \* 4/1978 Alberts ..... A47B 47/0016  
403/172  
D264,046 S \* 4/1982 Magner ..... D8/382  
D400,428 S \* 11/1998 Sabounjian ..... D8/382  
D418,396 S \* 1/2000 Hirano ..... D8/382  
6,247,869 B1 \* 6/2001 Lichvar ..... F16L 47/00  
285/179.1

The broken lines in the drawings illustrate portions of the connector and depict environmental structure in FIG. 10. These broken lines form no part of the claimed design.

**1 Claim, 7 Drawing Sheets**



(56)

**References Cited**

U.S. PATENT DOCUMENTS

2012/0009013 A1\* 1/2012 Evitt ..... A47B 47/005  
403/349

\* cited by examiner

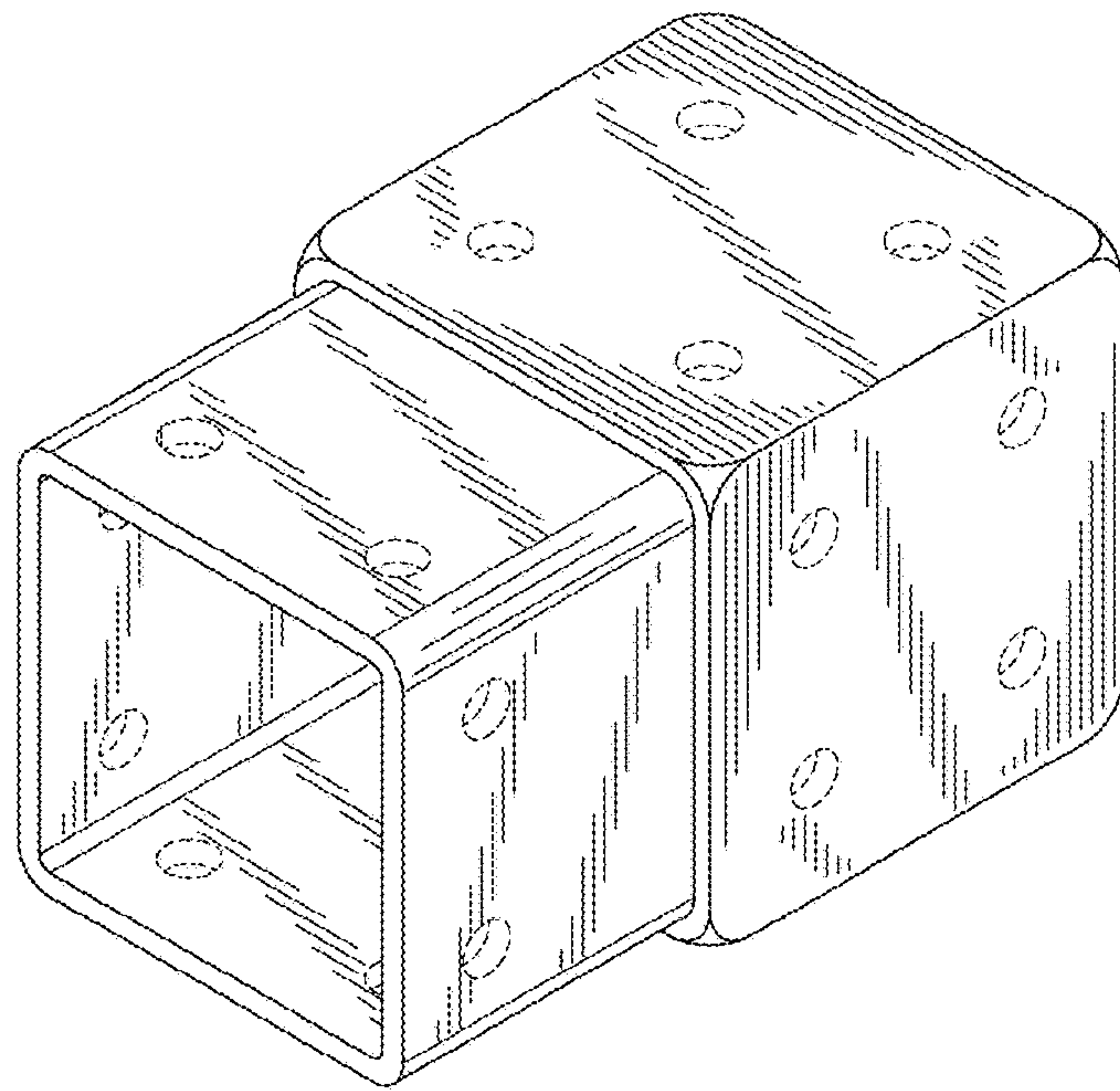


FIG. 1

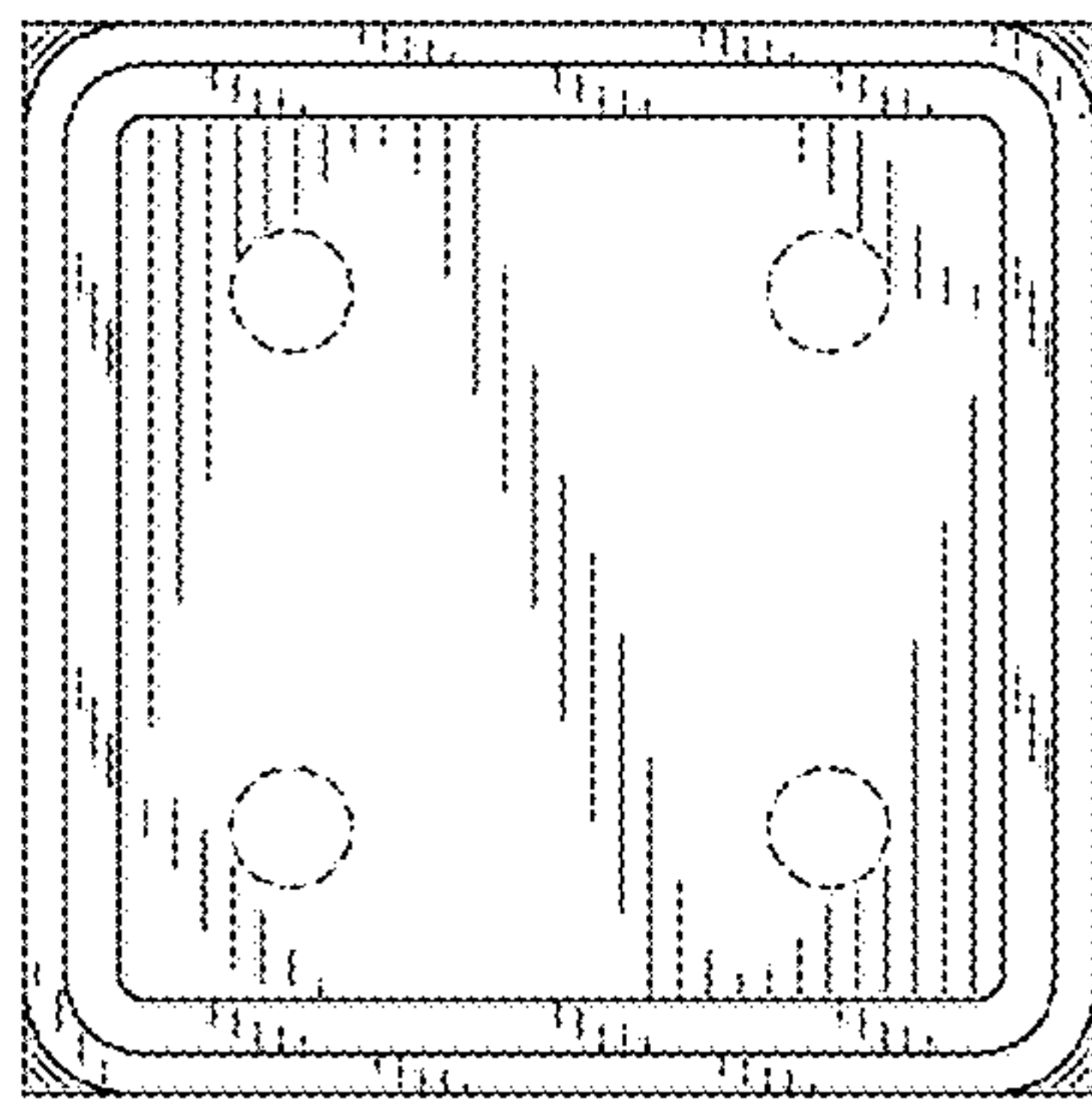


FIG. 2

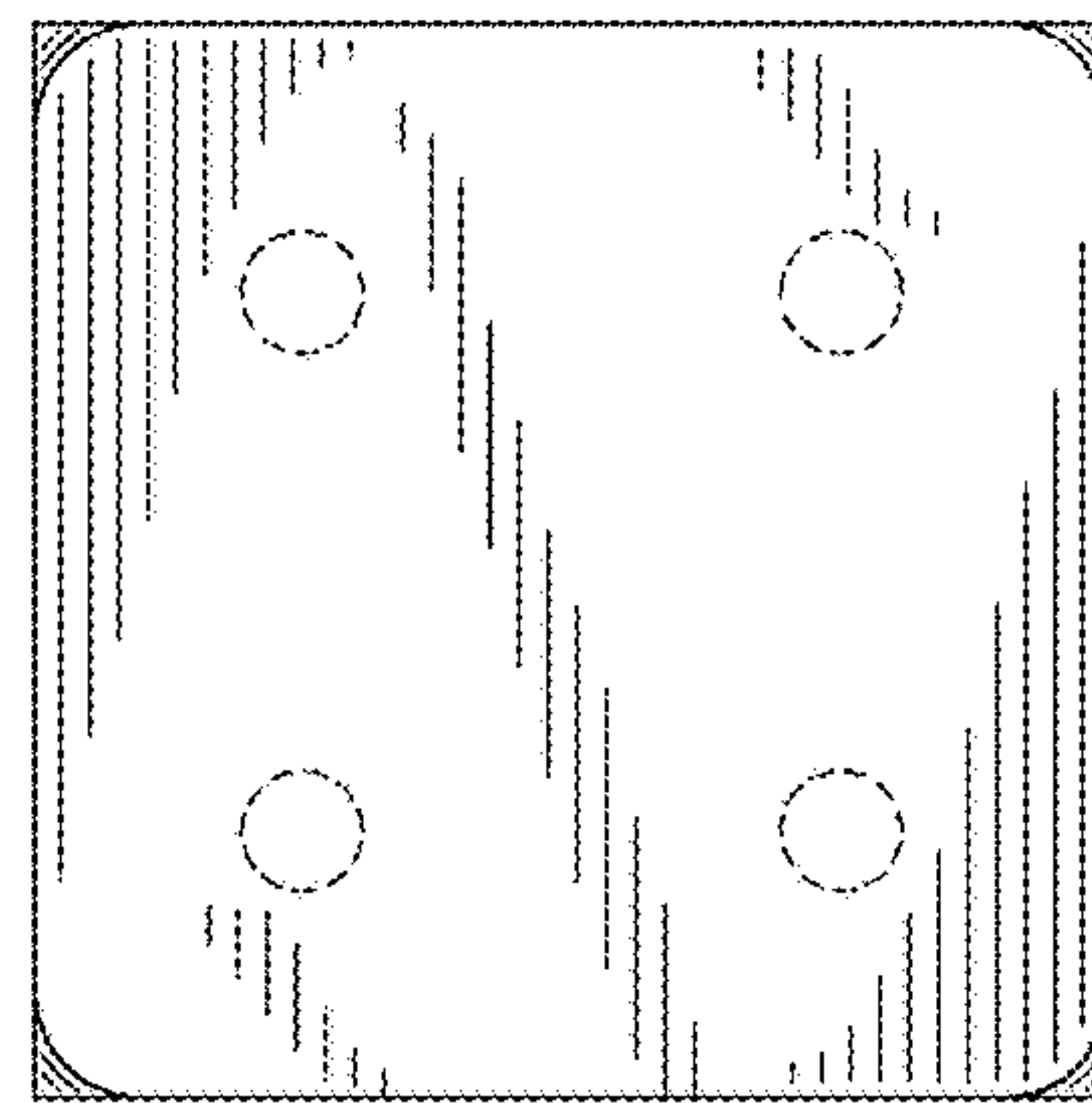


FIG. 3

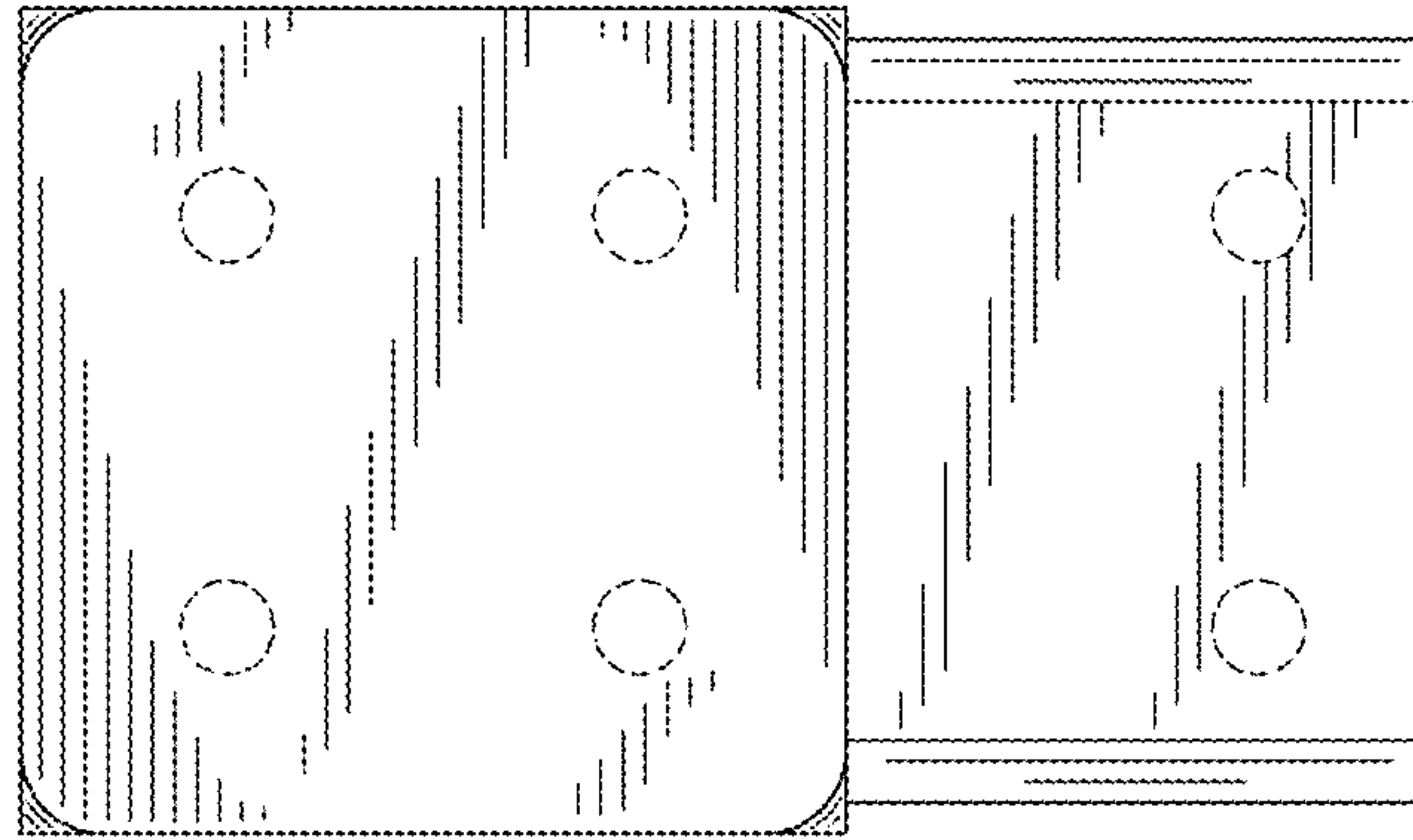


FIG. 4

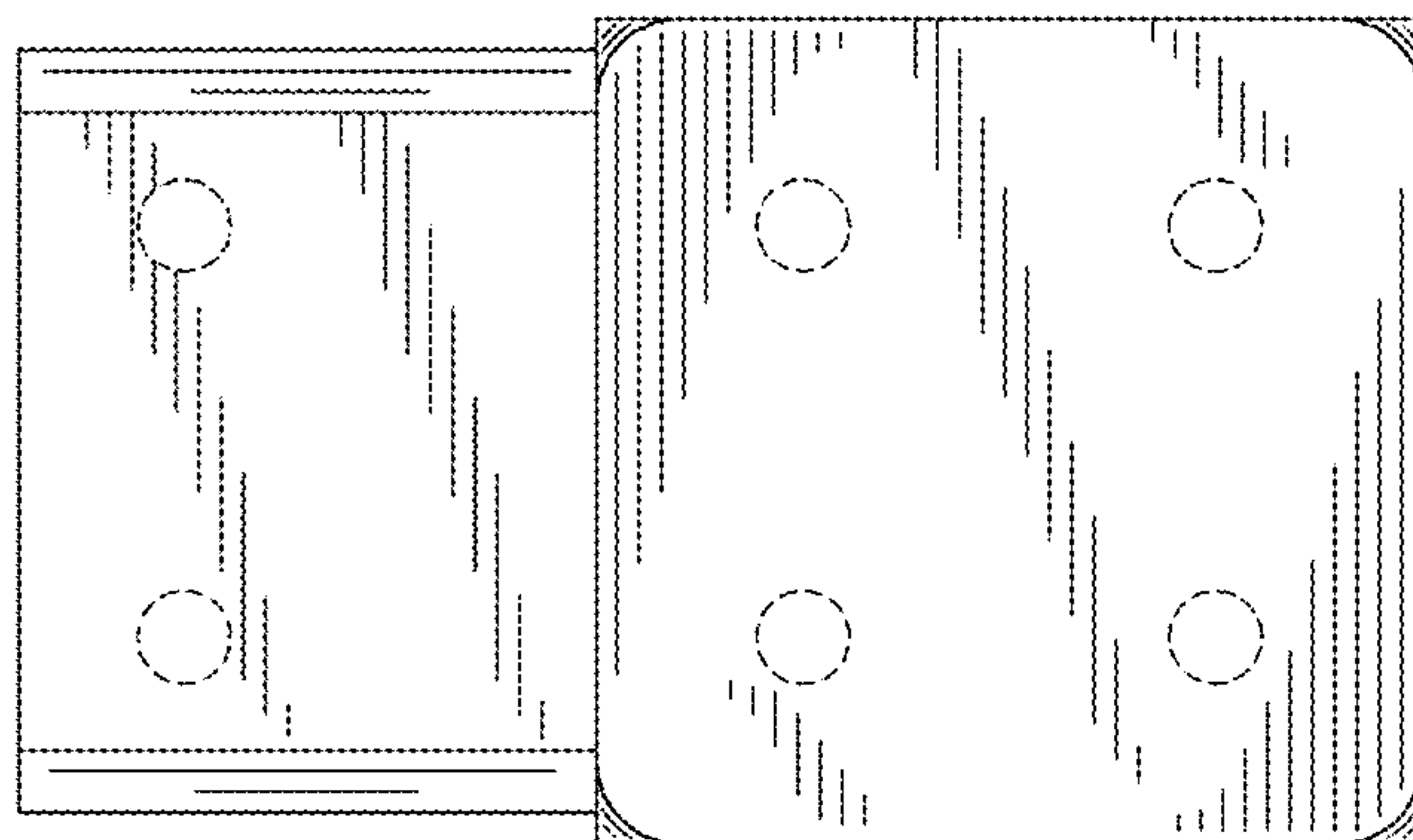


FIG. 5

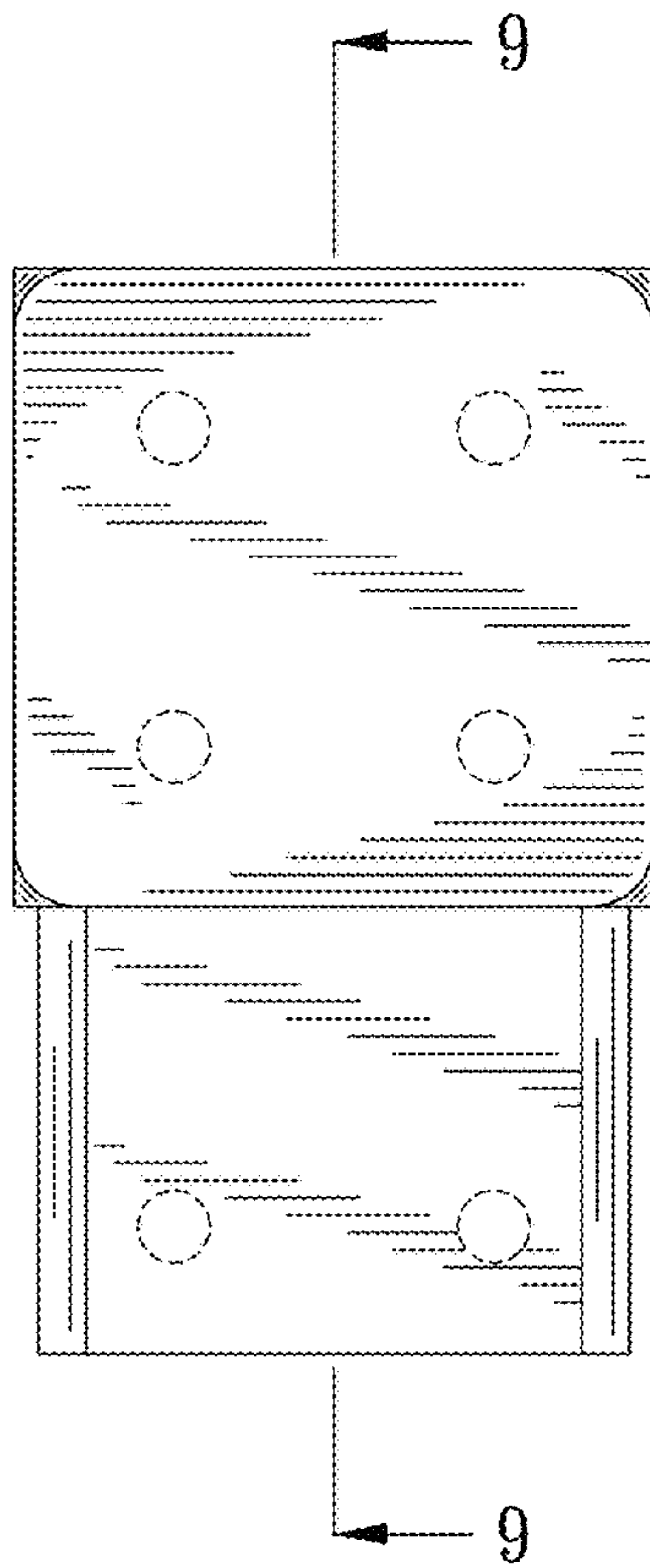


FIG. 6

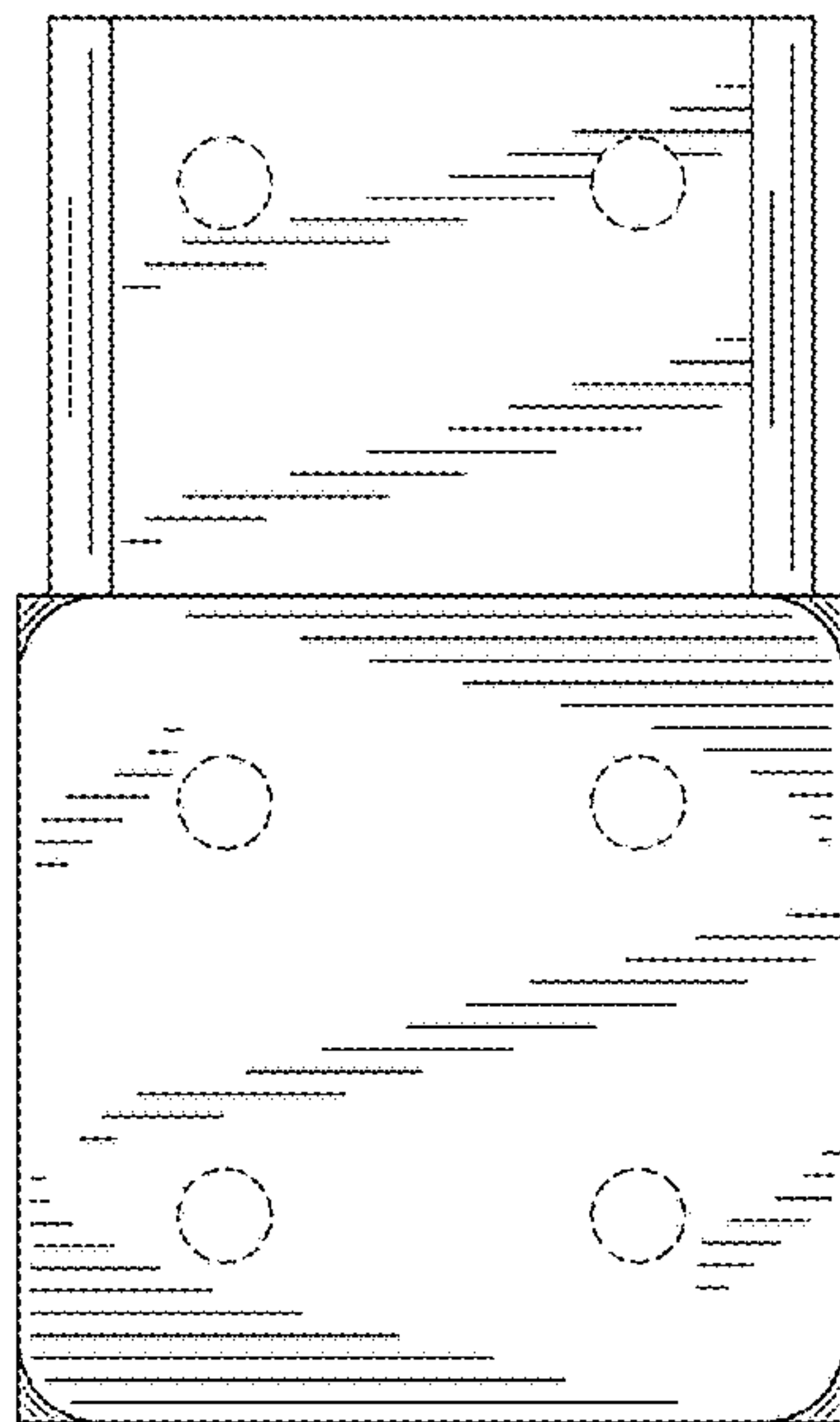


FIG. 7



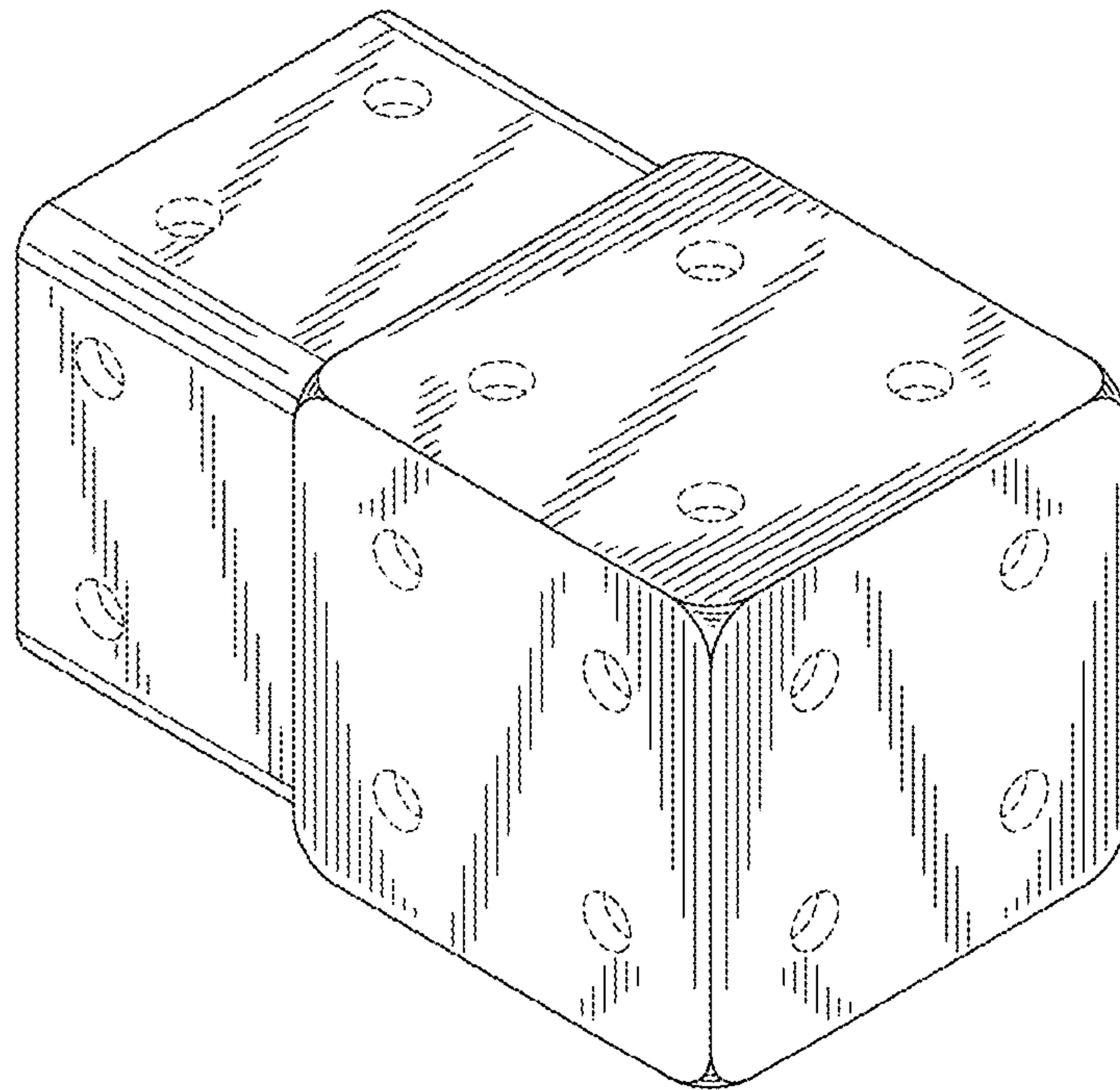


FIG. 8

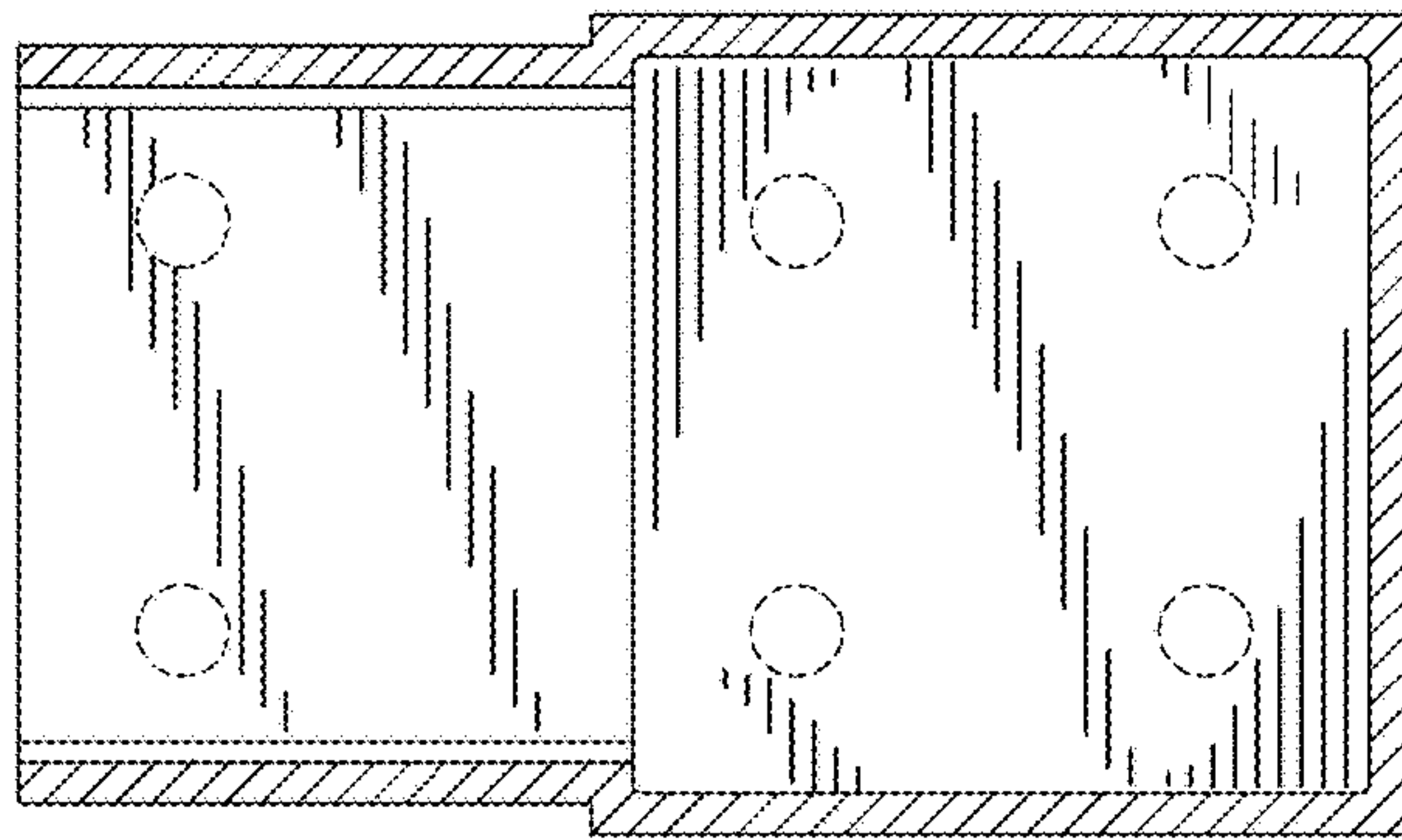


FIG. 9



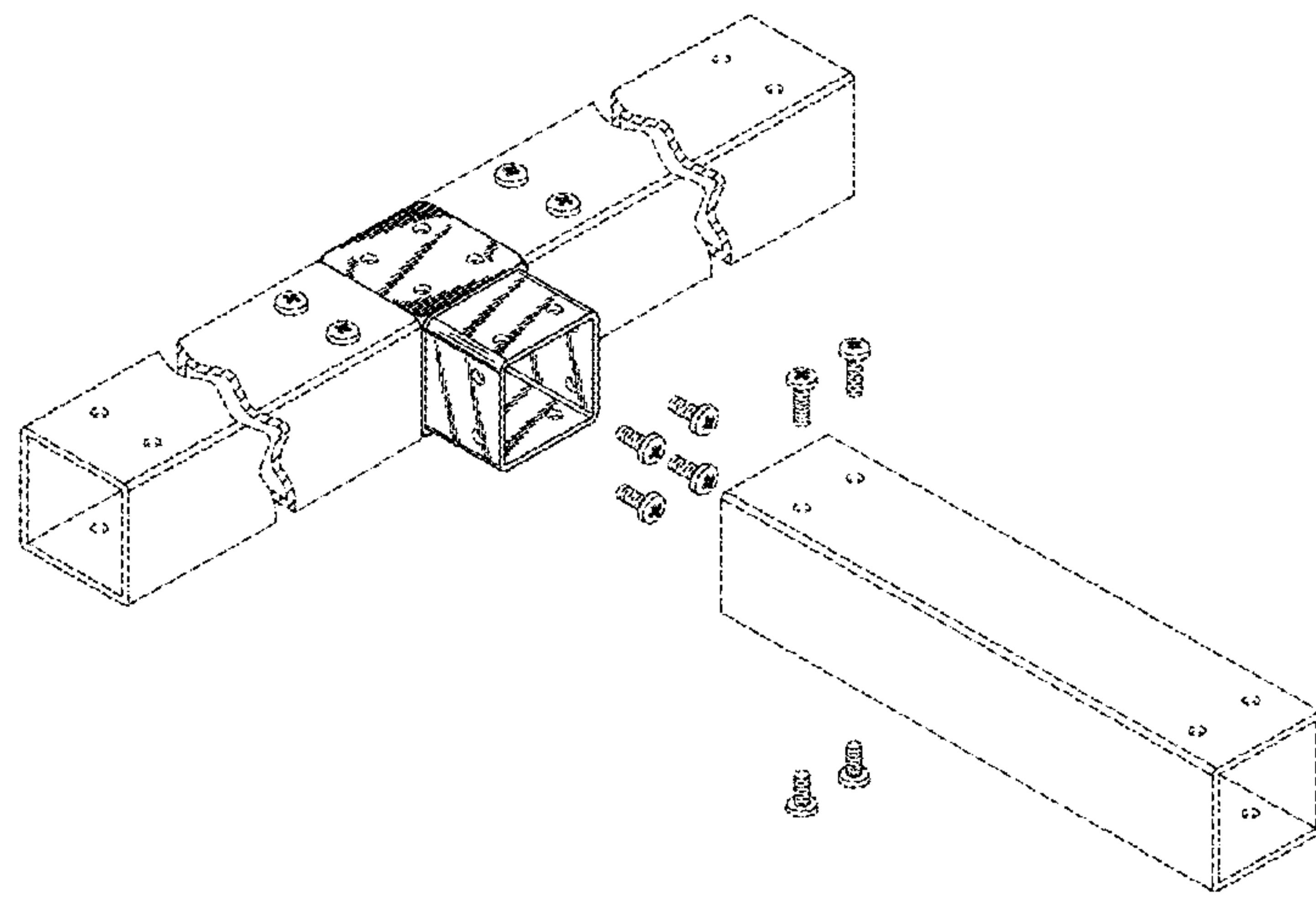


FIG. 10