



US00D801793S

(12) **United States Design Patent**
Johnson et al.

(10) **Patent No.:** **US D801,793 S**

(45) **Date of Patent:** **** Nov. 7, 2017**

(54) **INVISIBLE SPORTS MEMORABILIA WALL MOUNT**

(71) Applicant: **JP Products Inc.**, Montclair, VA (US)

(72) Inventors: **Maurice J. Johnson**, Stafford, VA (US); **Stephen Wayne Mask**, Lenoir, NC (US); **Codie Joanna Mask**, Lenoir, NC (US)

(**) Term: **15 Years**

(21) Appl. No.: **29/580,975**

(22) Filed: **Oct. 14, 2016**

(51) **LOC (10) Cl.** **08-05**

(52) **U.S. Cl.**
USPC **D8/381**

(58) **Field of Classification Search**
USPC D8/71, 330, 349, 358, 363, 364, D8/373-373, 380-382, 366; D13/102, D13/133; D14/251, 447; 248/309.1, 312
CPC E04B 12/2612; E04B 1/5818; E04H 7/22; E06C 7/083; F16B 12/44; H02G 3/32
See application file for complete search history.

(56) **References Cited**

U.S. PATENT DOCUMENTS

D296,520 S *	7/1988	Spinetta	248/312
D323,435 S *	1/1992	Palacios	D2/861
D361,070 S *	8/1995	Wall	D14/251
D369,957 S *	5/1996	Blanton	D26/138
D598,272 S *	8/2009	Tejszerski	D8/349
8,082,701 B1 *	12/2011	Wendel	E04C 3/145 52/100
D696,572 S *	12/2013	Petrucelli	D8/373
8,959,846 B2 *	2/2015	Polzin	E04H 7/22 52/506.05
D733,539 S *	7/2015	Wu	D23/304
D736,071 S *	8/2015	Wu	D8/373
D737,124 S *	8/2015	Sasanecki	D8/366

9,200,459 B2 *	12/2015	White	E04F 13/0805
D747,177 S *	1/2016	McGinty	D8/349
D774,874 S *	12/2016	Wentzel	D8/349
D778,916 S *	2/2017	Li	D14/447
D779,739 S *	2/2017	Gunnarshaug	D29/108
D794,420 S *	8/2017	Emmons	D8/349
2009/0173844 A1 *	7/2009	Huo	H02G 3/32 248/65

(Continued)

Primary Examiner — Derrick Holland

Assistant Examiner — Yolanda Robinson

(74) *Attorney, Agent, or Firm* — ATLawip LLC; Jeffrey T. Breloski

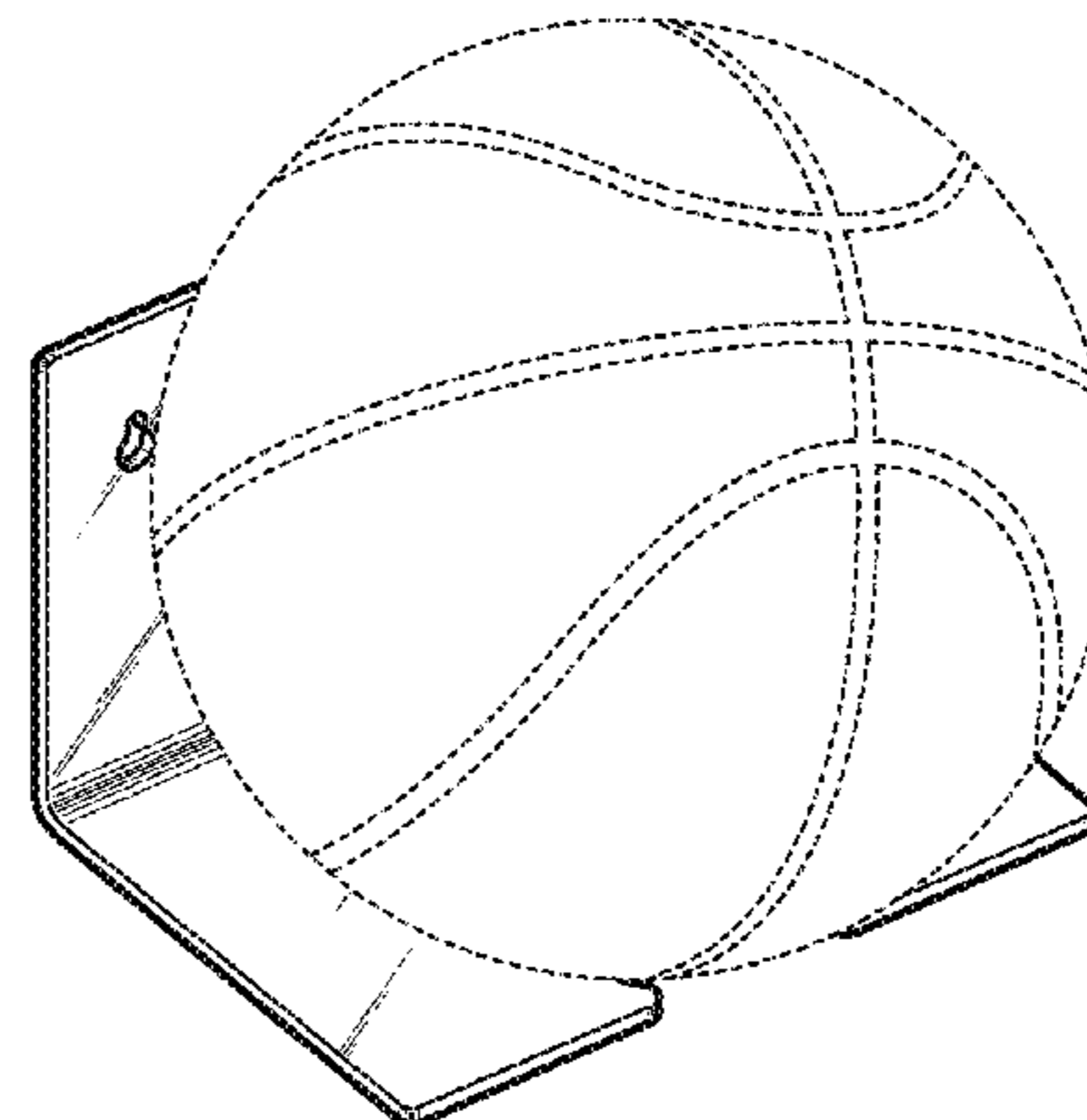
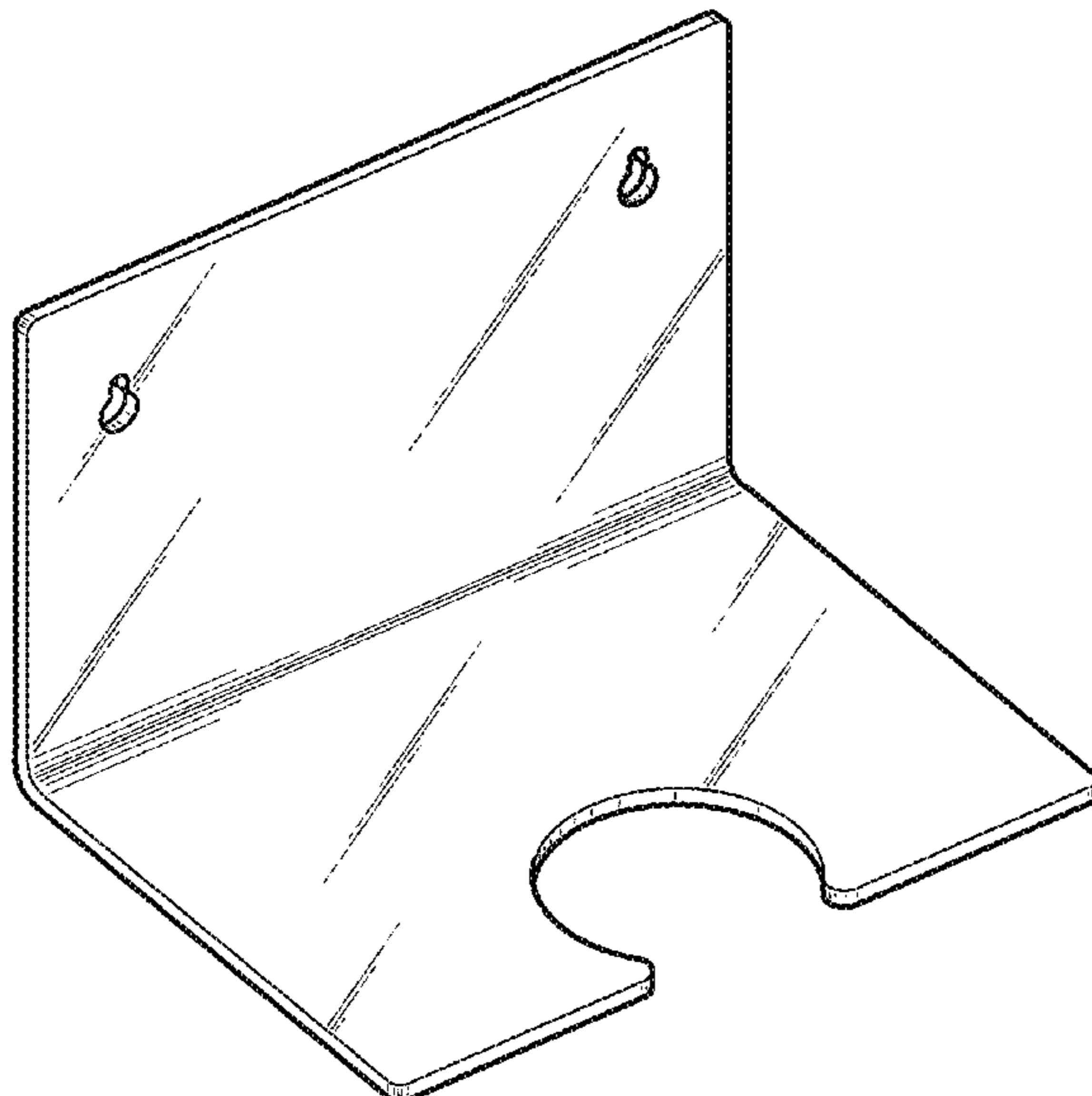
(57) **CLAIM**

The ornamental design for an invisible sports memorabilia wall mount, as shown and described.

DESCRIPTION

FIG. 1 is a perspective view of an invisible sports memorabilia wall mount according to our design; FIG. 2 is a left side elevational view thereof; FIG. 3 is a right side elevational view thereof; FIG. 4 is a front elevational view thereof; FIG. 5 is a back elevational view thereof; FIG. 6 is a top plan view thereof; FIG. 7 is a bottom plan view thereof; FIG. 8 is a perspective view of an invisible sports memorabilia wall mount in environmental use thereof; FIG. 9 is another perspective view of an invisible sports memorabilia wall mount in alternate environmental use thereof; and, FIG. 10 is a third perspective view of an invisible sports memorabilia wall mount in another alternate environmental use thereof. The broken lines shown in FIGS. 8 and 10 represent unclaimed subject matter and form no part of the claimed design.

1 Claim, 4 Drawing Sheets



(56)

References Cited

U.S. PATENT DOCUMENTS

2014/0331598 A1* 11/2014 White E04F 13/0805
52/775
2014/0346302 A1* 11/2014 Vignali B64D 13/02
248/309.1

* cited by examiner

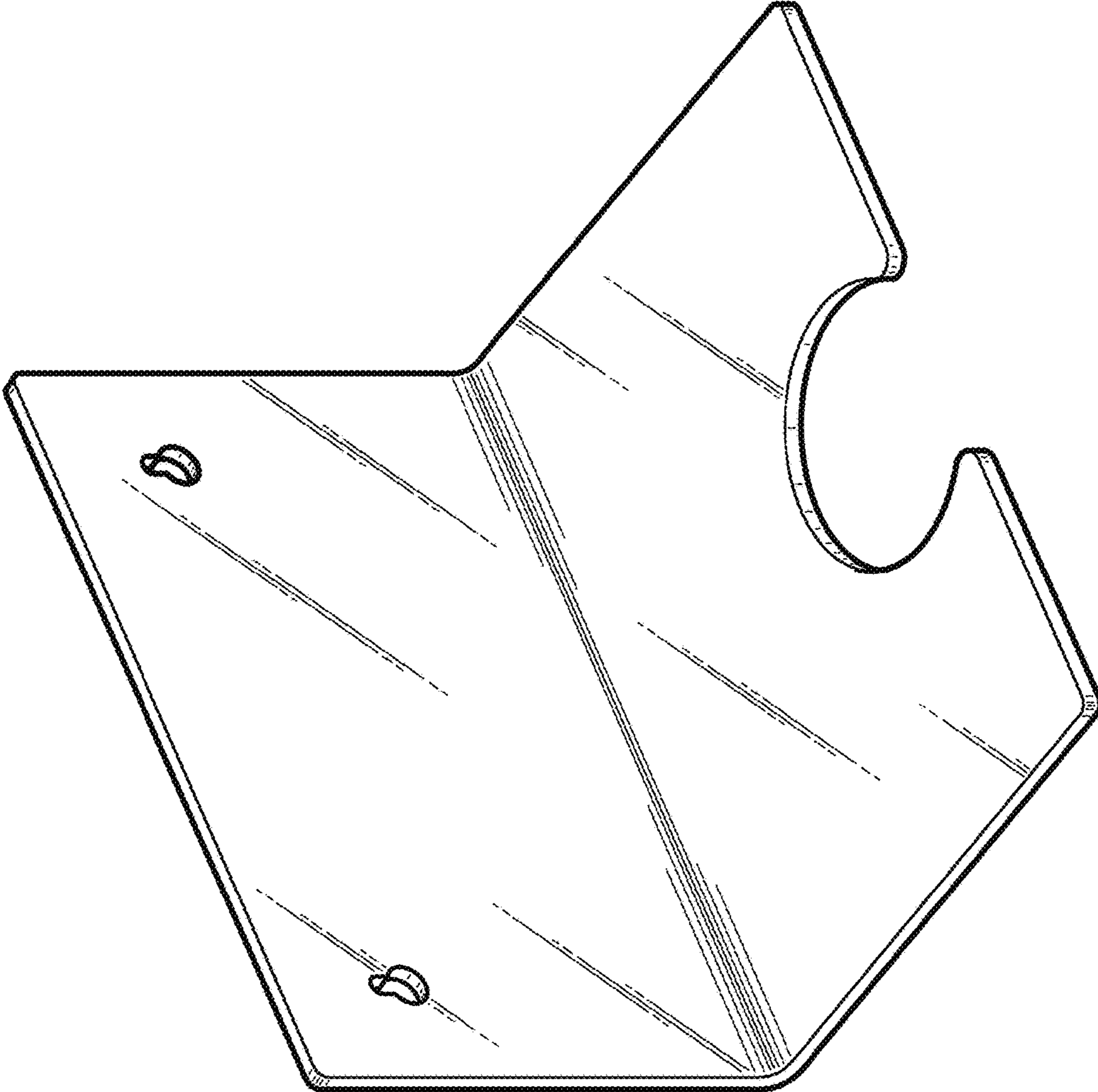


FIG. 1

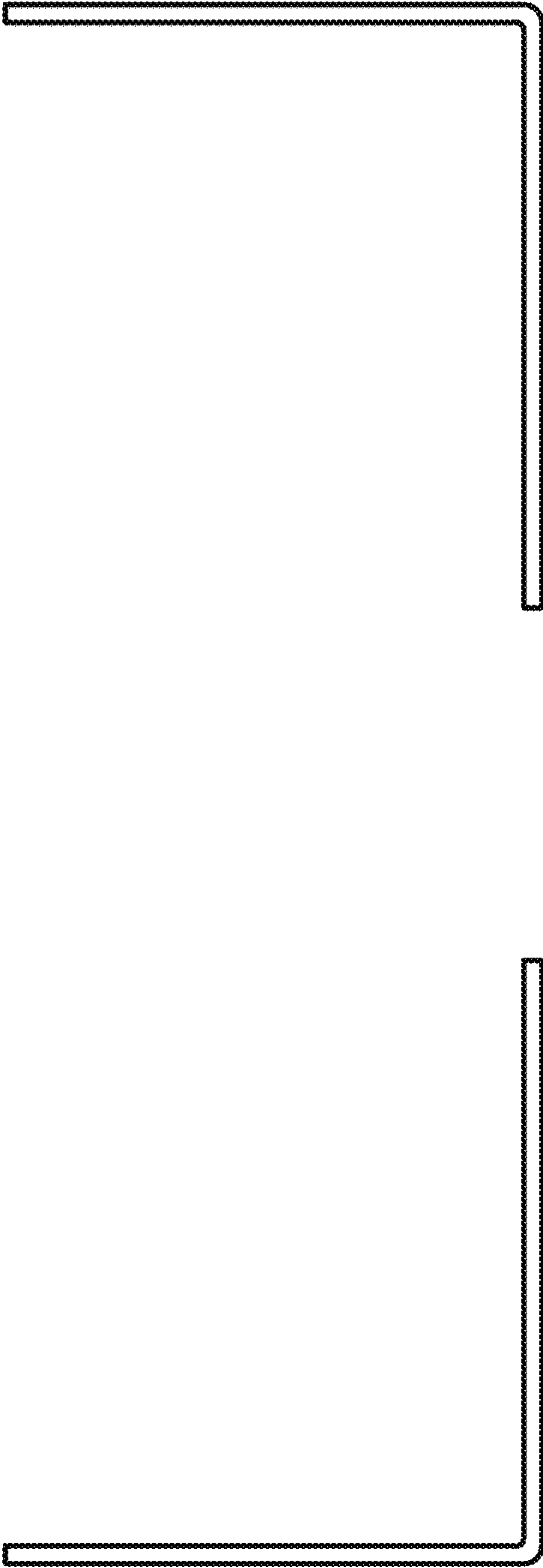


FIG. 3

FIG. 2

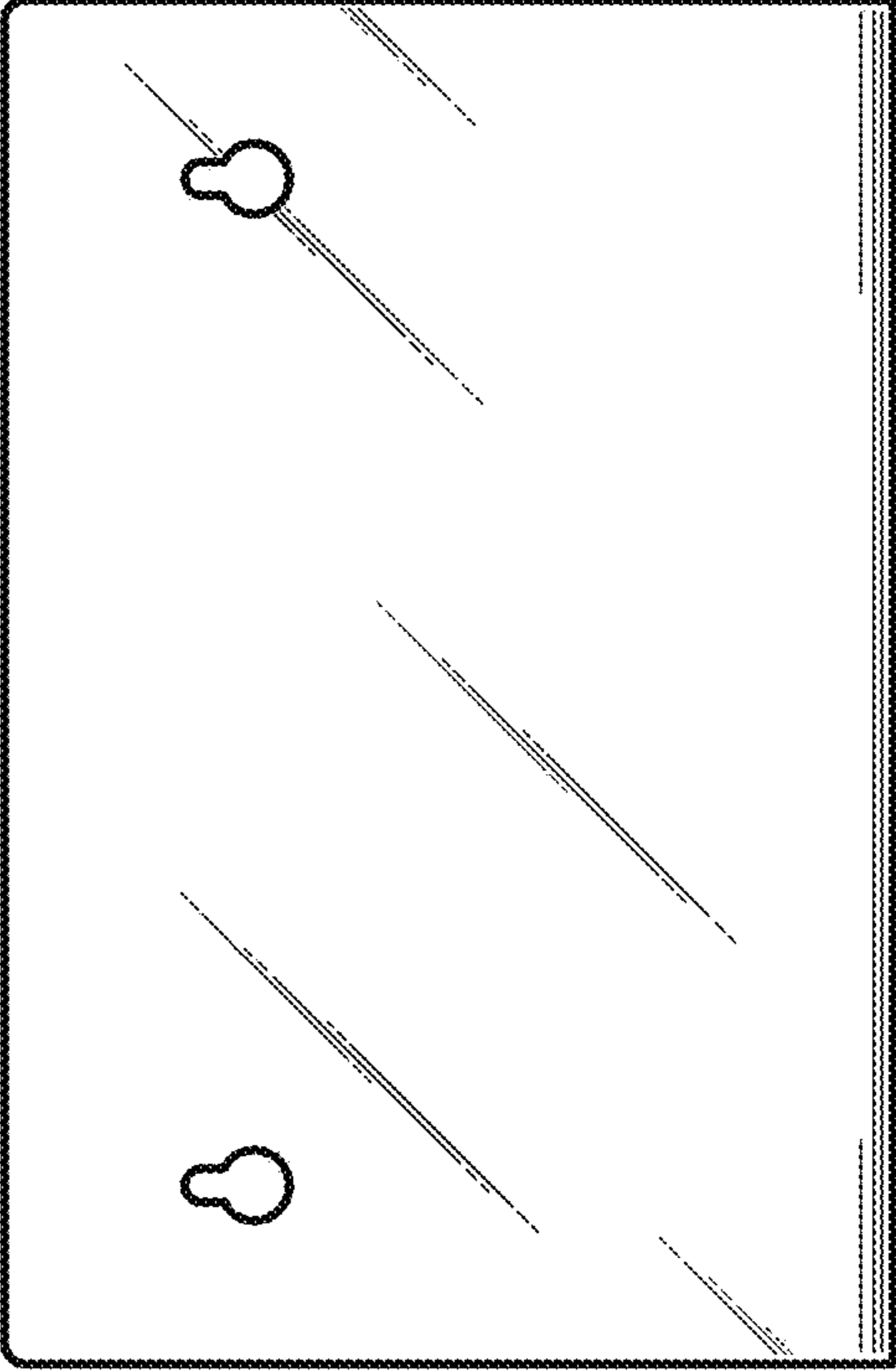


FIG. 5

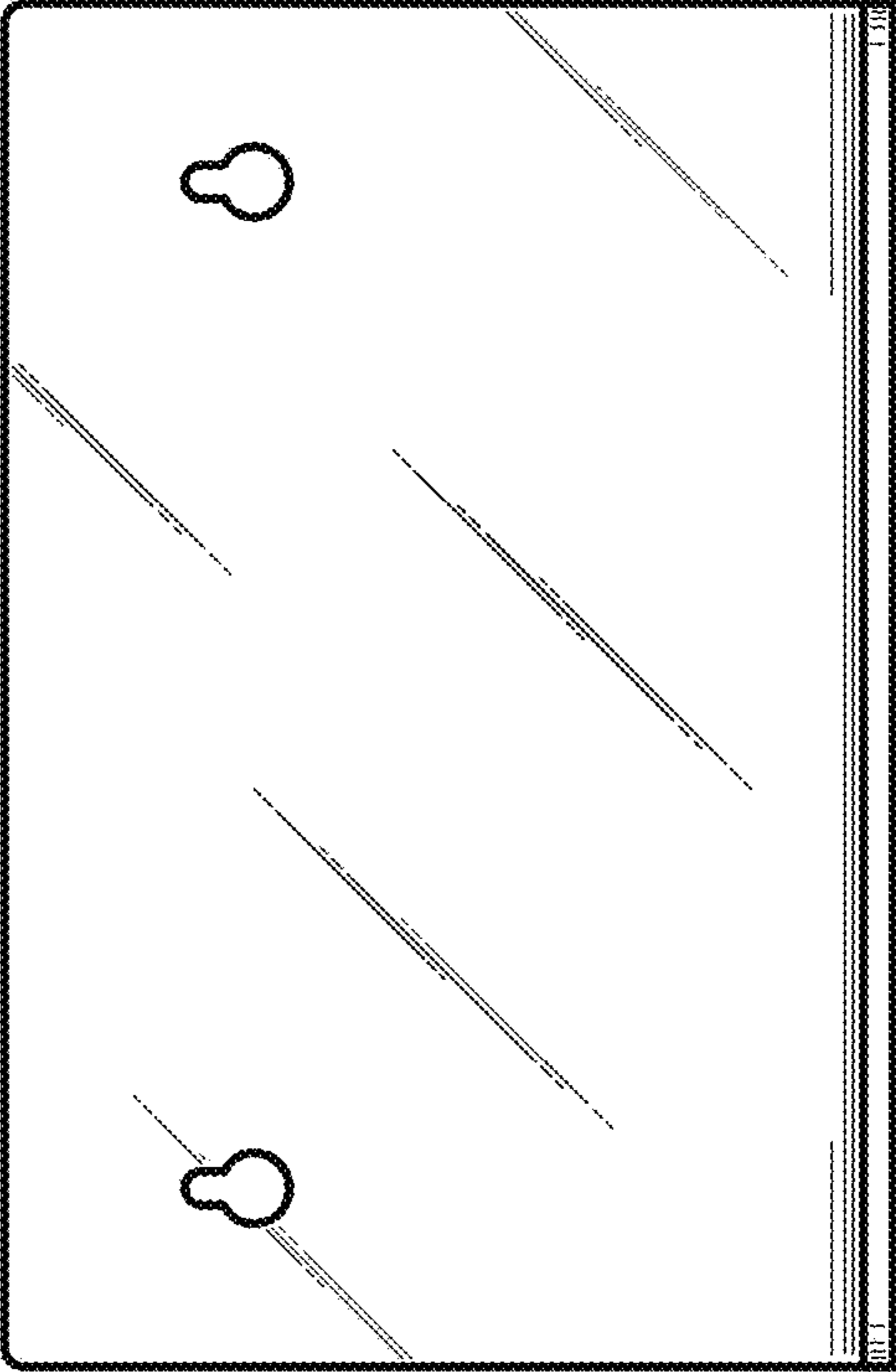


FIG. 4

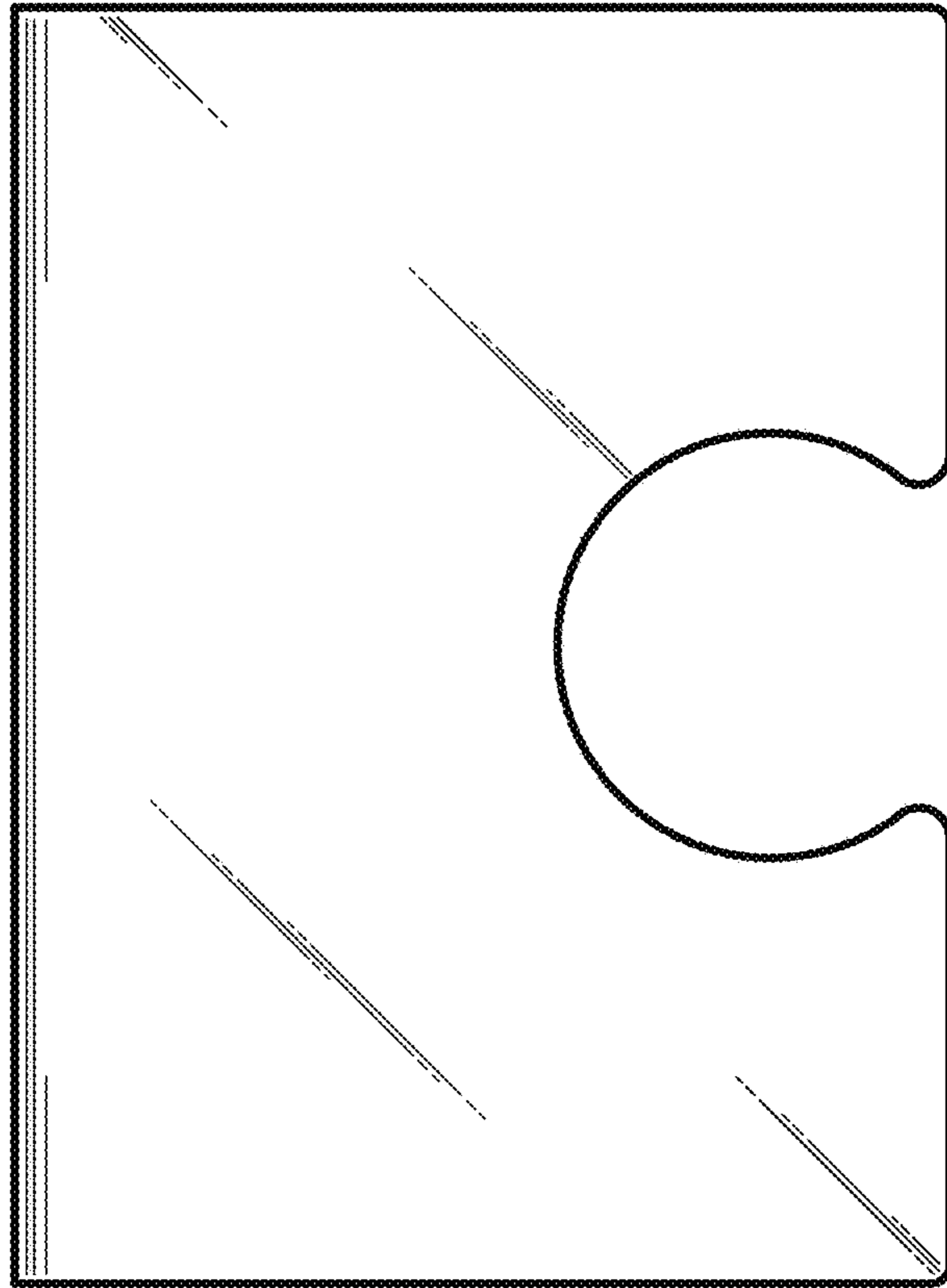


FIG. 6

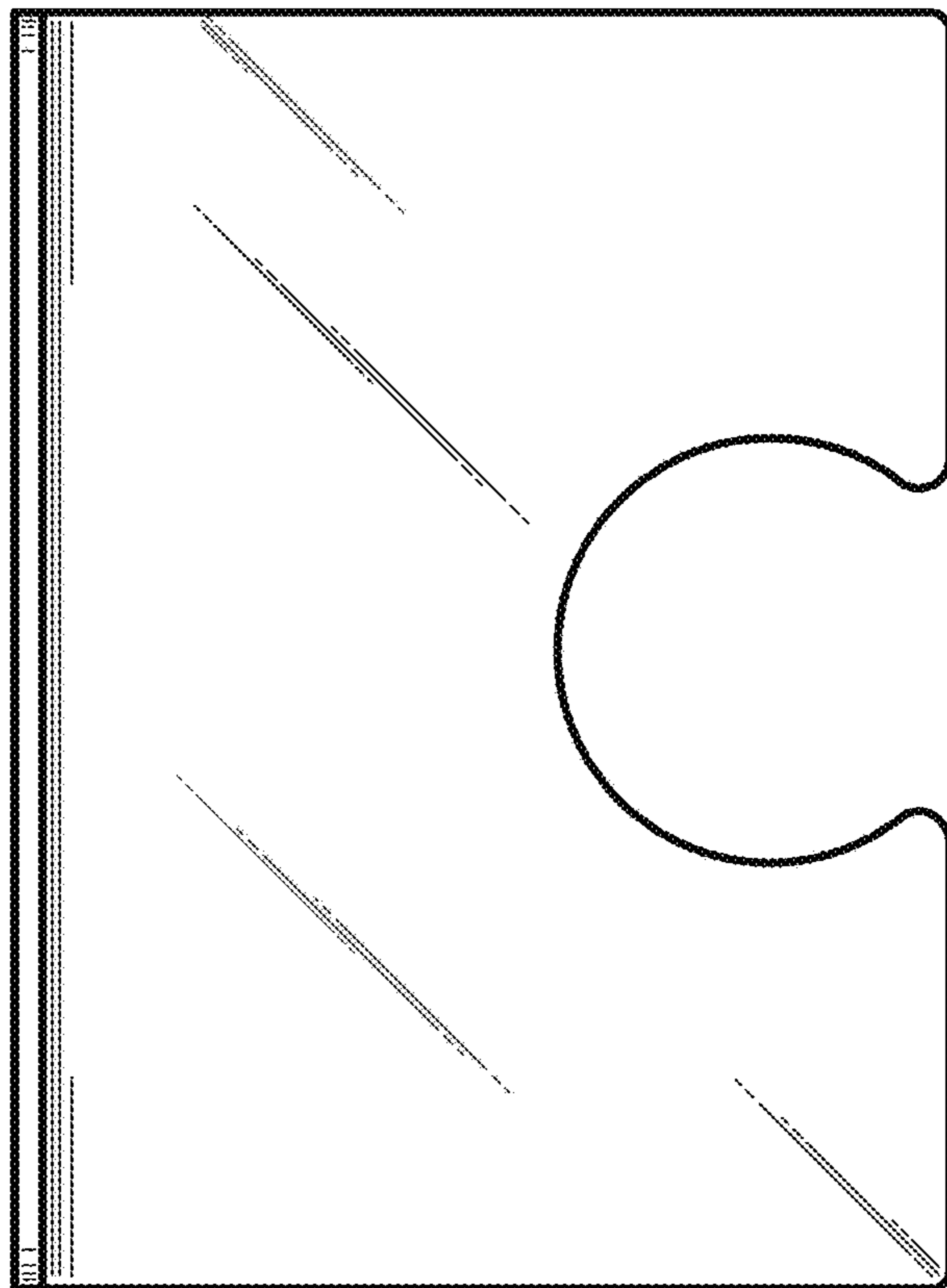


FIG. 7

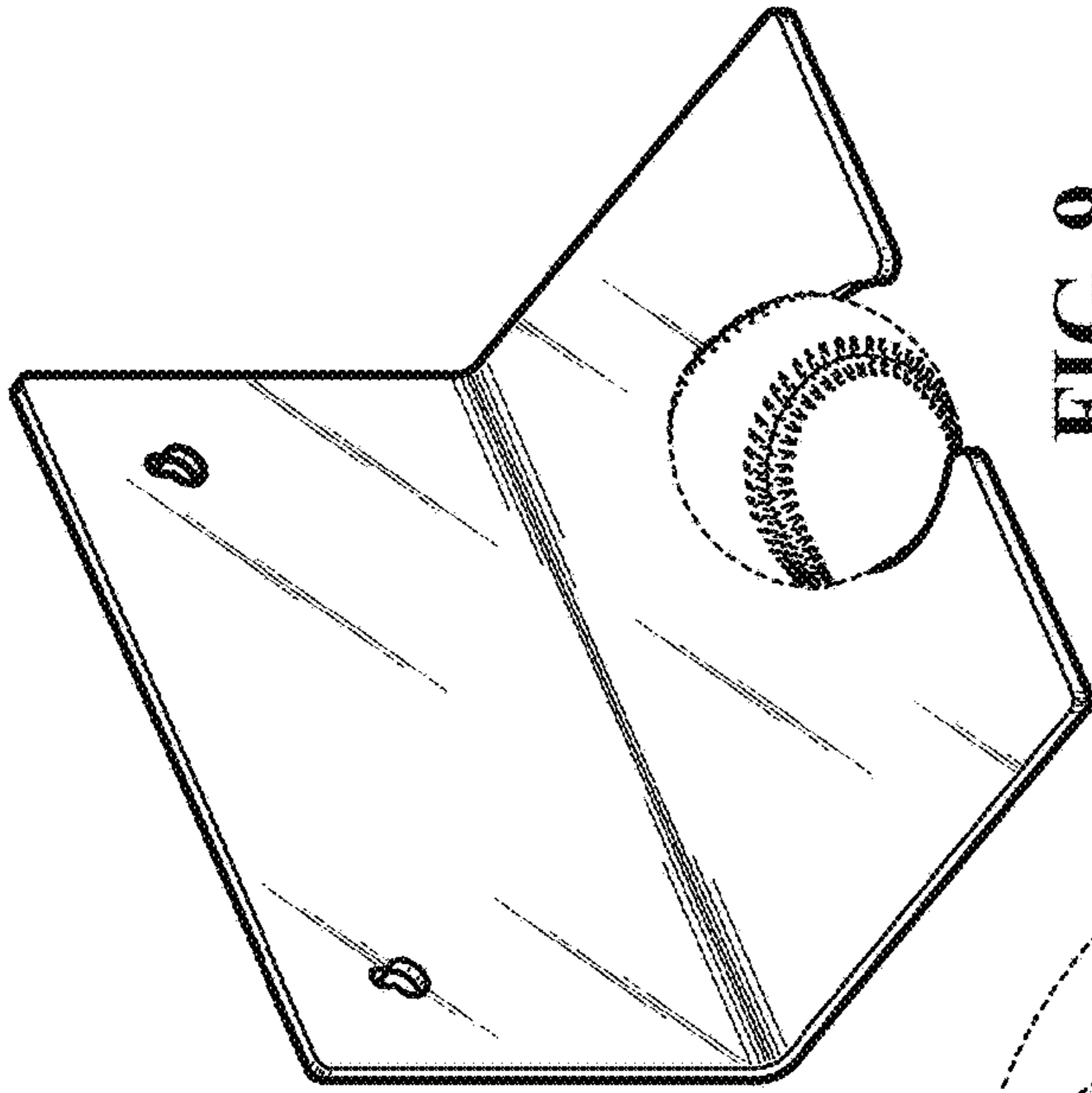


FIG. 9

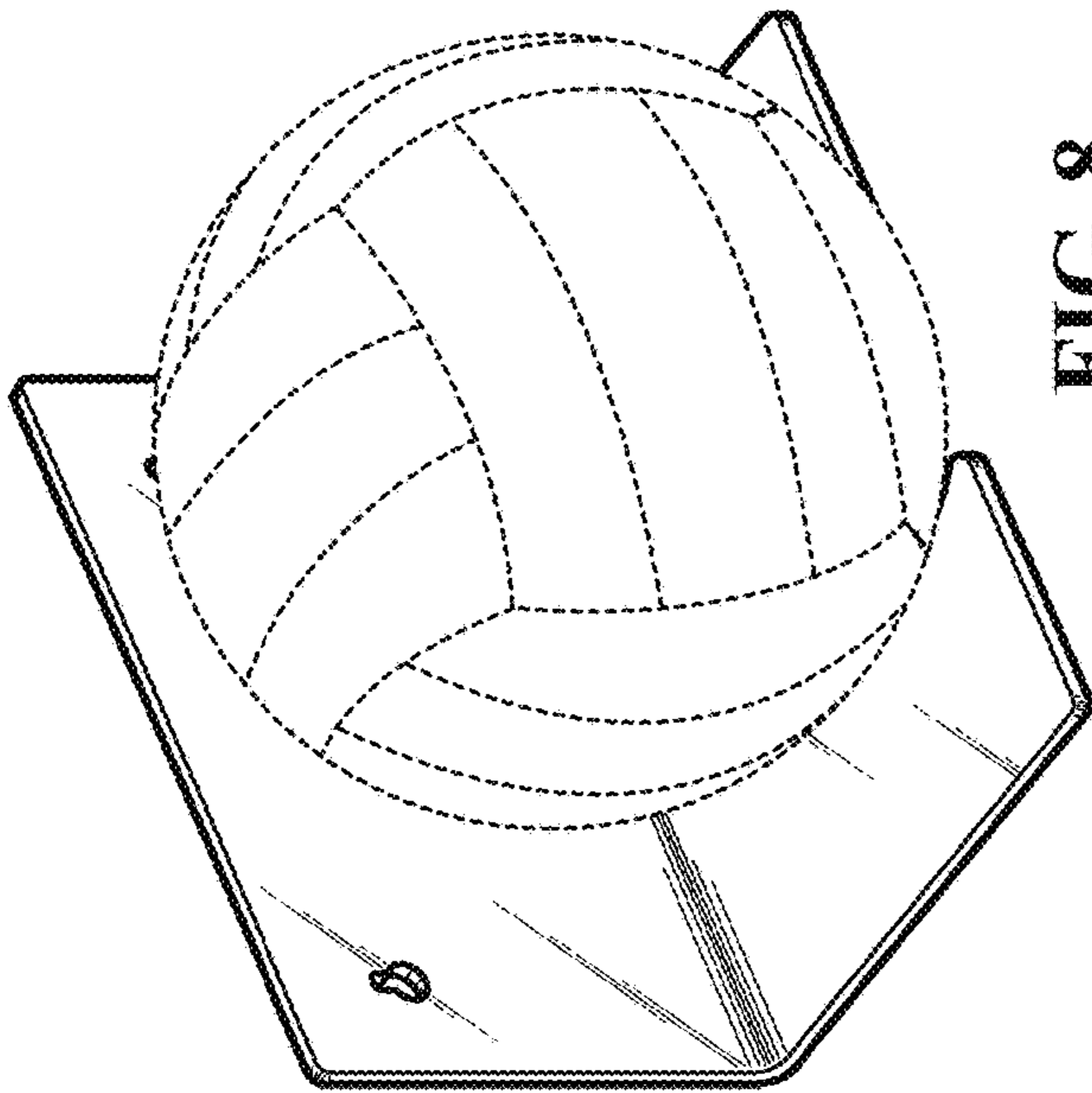


FIG. 8

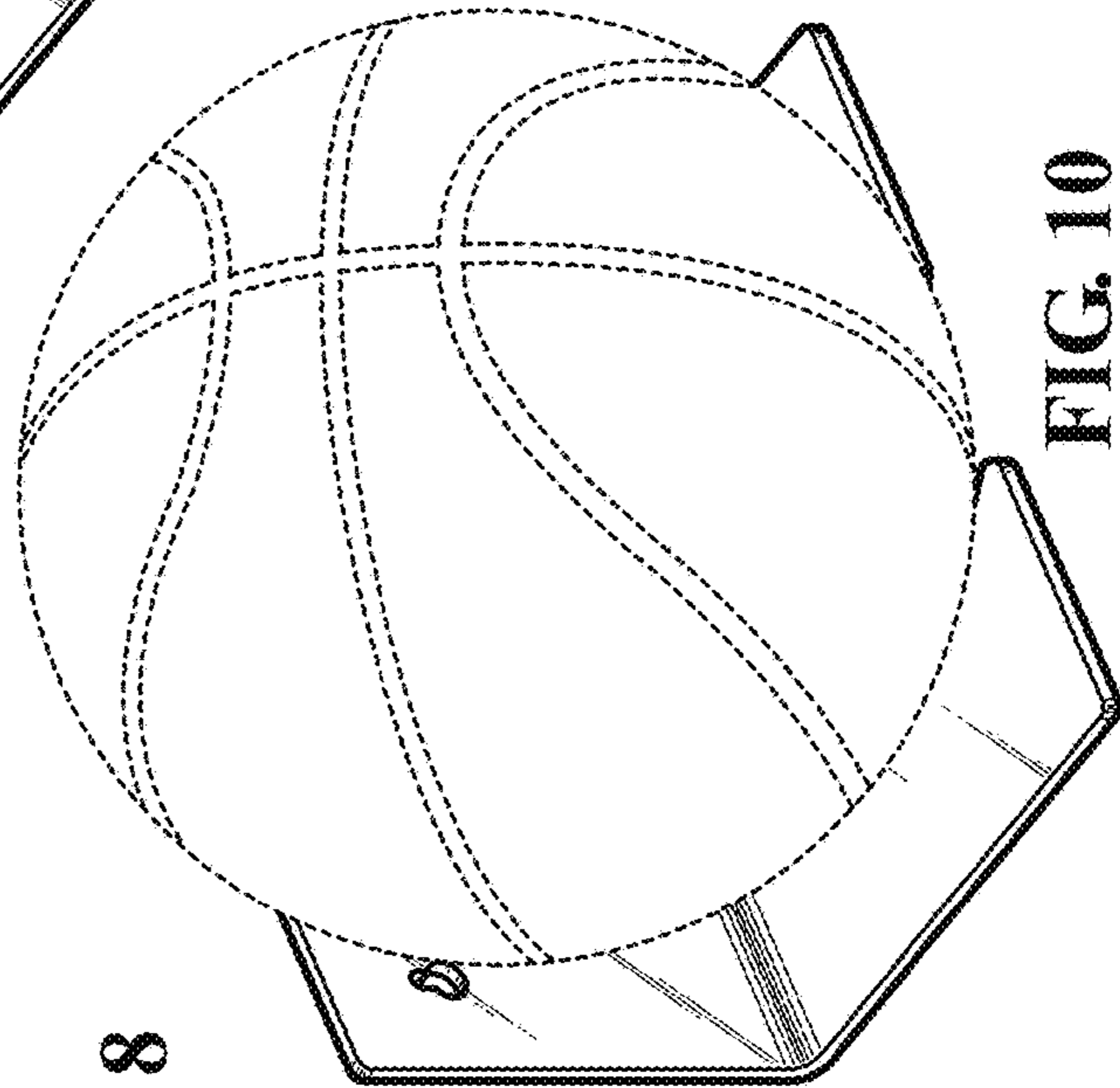


FIG. 10