



US00D801791S

(12) **United States Design Patent**
DePietro

(10) **Patent No.:** **US D801,791 S**

(45) **Date of Patent:** **** Nov. 7, 2017**

(54) **IMPLEMENT HANDLE CONNECTOR BRACKET**

(71) Applicant: **Cequent Consumer Products, Inc.**,
Solon, OH (US)

(72) Inventor: **Thomas DePietro**, Lakewood, OH (US)

(73) Assignee: **HORIZON GLOBAL AMERICAS INC.**, Plymouth, MI (US)

(**) Term: **15 Years**

(21) Appl. No.: **29/555,134**

(22) Filed: **Feb. 18, 2016**

Related U.S. Application Data

(63) Continuation-in-part of application No. 29/490,439,
filed on May 9, 2014, now Pat. No. Des. 752,305.

(51) **LOC (10) Cl.** **08-05**

(52) **U.S. Cl.**
USPC **D8/376; D32/50**

(58) **Field of Classification Search**
USPC D8/16, 18, 19, 20, 105, 356, 363, 366,
D8/370-377, 380-382; D6/406.2;
D12/106, 48; D32/40, 25, 50
CPC B25F 1/00; B25F 1/02; A45F 2200/0575;
G01B 5/18

See application file for complete search history.

(56) **References Cited**

U.S. PATENT DOCUMENTS

D195,818 S	8/1963	Herman	
D199,023 S	9/1964	Auwarter	
D206,571 S	1/1967	Herman	
D211,197 S	5/1968	Malmo	
D282,112 S	1/1986	Maust	
D349,340 S *	8/1994	Snoke D24/137
D412,433 S	8/1999	Bredemeier	
D417,605 S	12/1999	Sartini	

D421,710 S	3/2000	Hajek	
D481,123 S *	10/2003	Hayamizu D24/107
D537,993 S	3/2007	Deleo	
D552,455 S	10/2007	Moore	
D564,094 S *	3/2008	Hayashi D24/107
D564,661 S *	3/2008	Hayashi D24/107
D572,123 S	7/2008	Huang	
D572,574 S	7/2008	Lee	
D633,780 S	3/2011	Barrese	

(Continued)

Primary Examiner — Robert M Spear

Assistant Examiner — Eliza Bennett-Hattan

(74) *Attorney, Agent, or Firm* — McDonald Hopkins LLC

(57) **CLAIM**

The ornamental design of an implement handle connector bracket, as shown and described.

DESCRIPTION

FIG. 1 is a perspective view of an implement handle connector bracket showing my new design;

FIG. 2 is a rear view thereof;

FIG. 3 is a front view thereof;

FIG. 4 is a first side view thereof;

FIG. 5 is a second side view thereof;

FIG. 6 is a top plan view thereof;

FIG. 7 is a bottom plan view thereof;

FIG. 8 is a perspective view of a second embodiment of an implement handle connector bracket showing my new design;

FIG. 9 is a rear view thereof;

FIG. 10 is a front view thereof;

FIG. 11 is a first side view thereof;

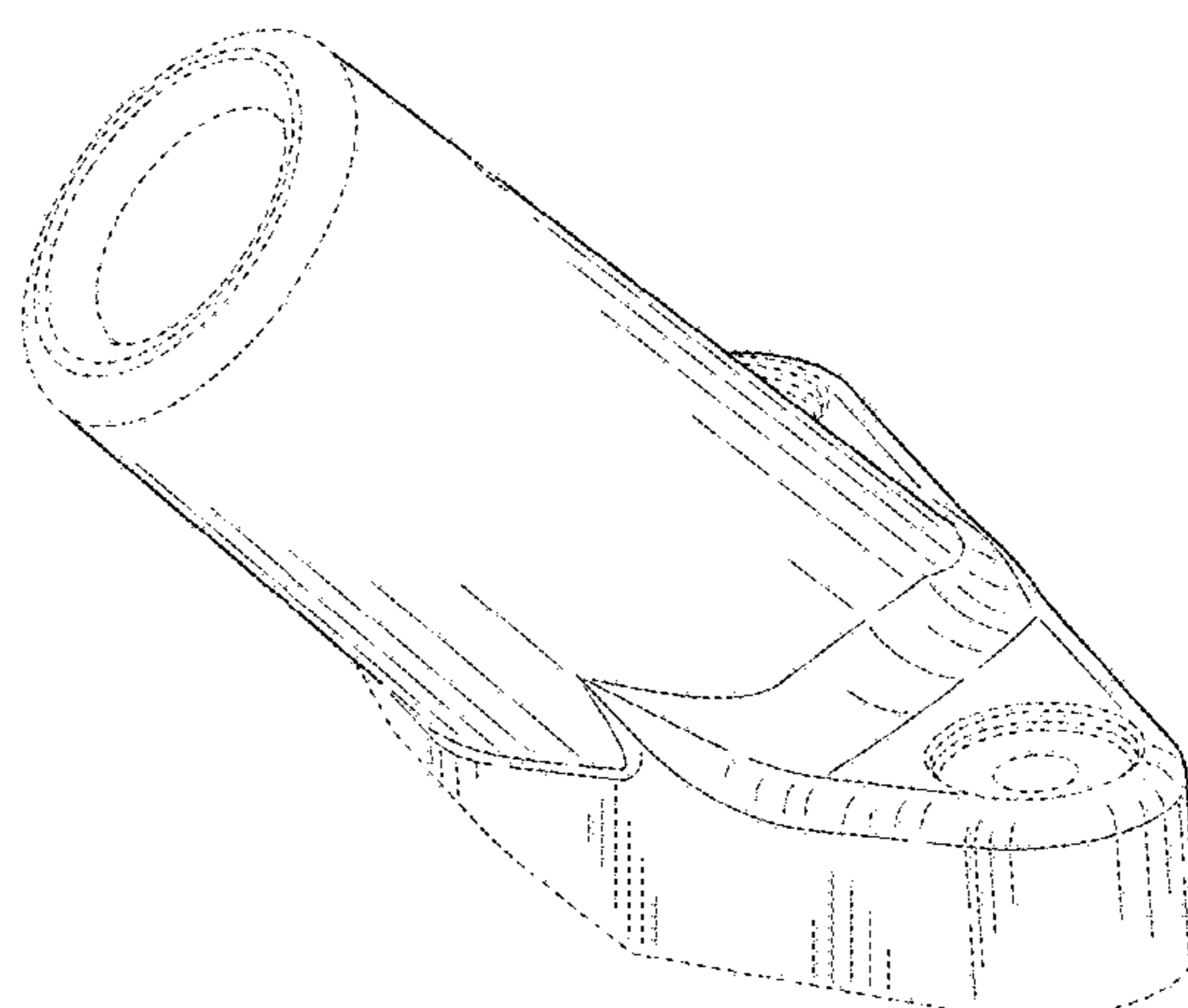
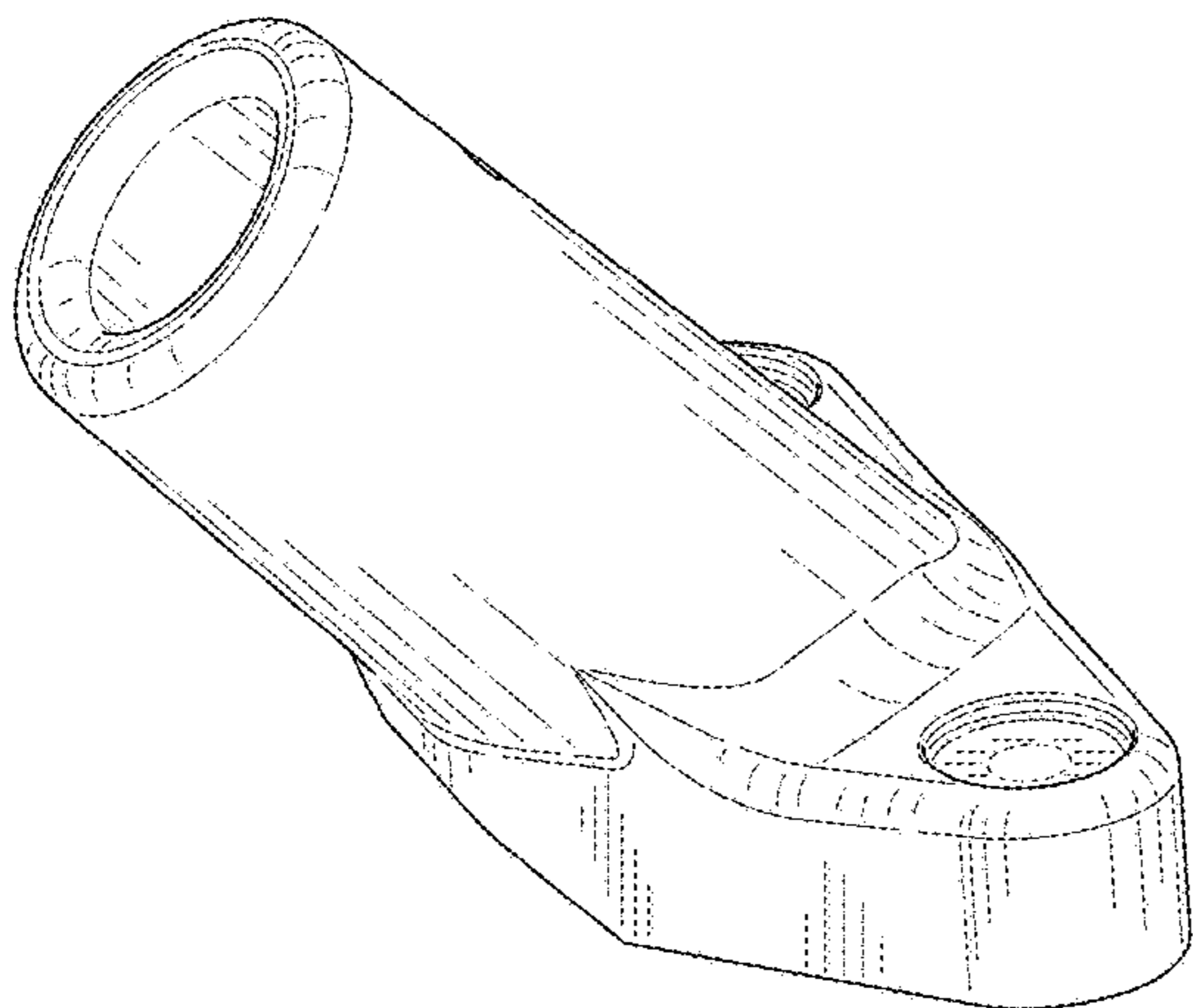
FIG. 12 is a second side view thereof;

FIG. 13 is a top plan view thereof; and,

FIG. 14 is a bottom plan view thereof.

The features shown in broken lines in the drawing figures depict environmental subject matter only and form no part of the claimed design.

1 Claim, 8 Drawing Sheets



(56)

References Cited

U.S. PATENT DOCUMENTS

D641,081 S * 7/2011 Onuma D24/138
D641,082 S * 7/2011 Onuma D24/138
D643,117 S * 8/2011 Onuma D24/138
2016/0220097 A1* 8/2016 Ohno A61B 1/00006

* cited by examiner

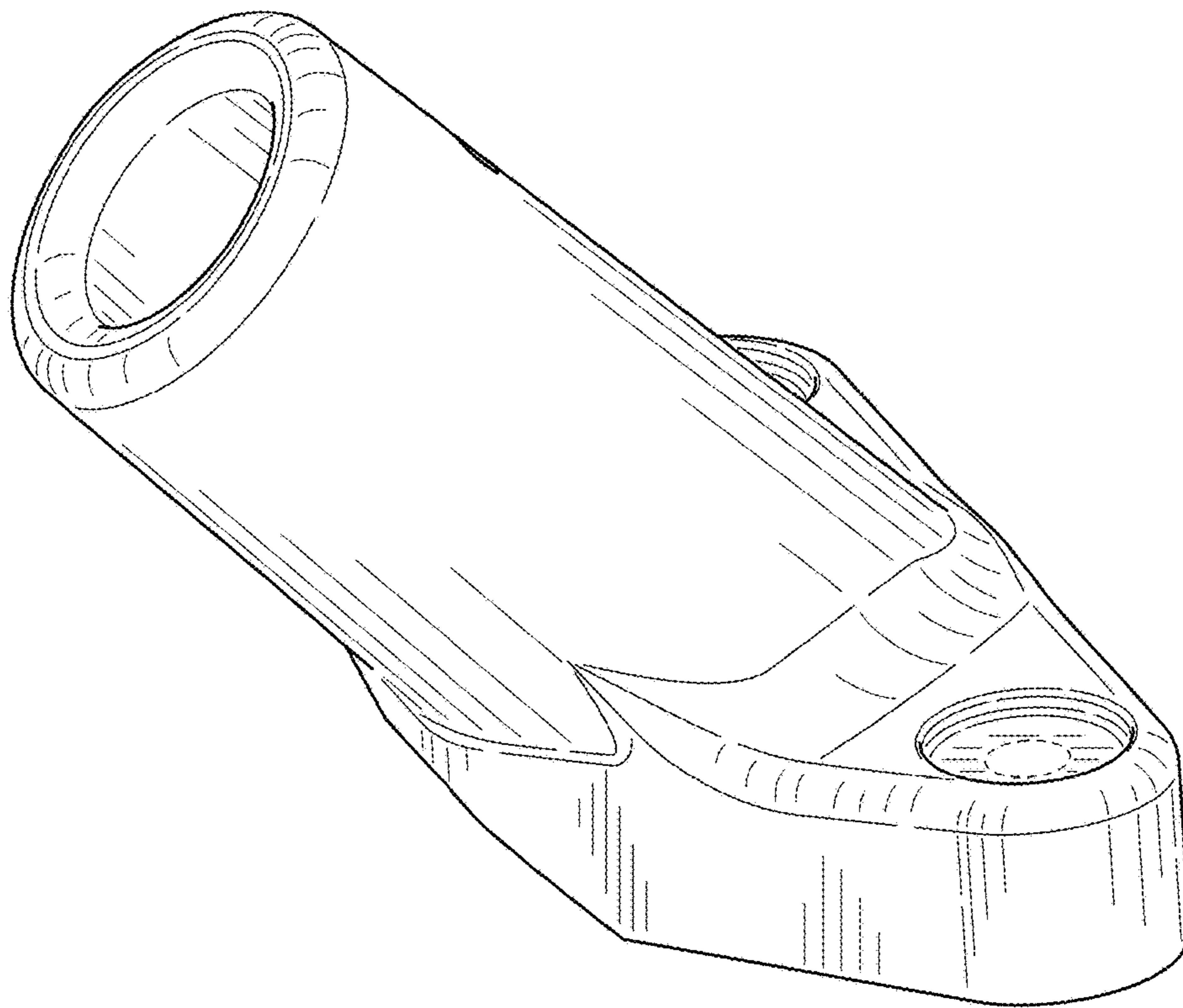


FIG. 1

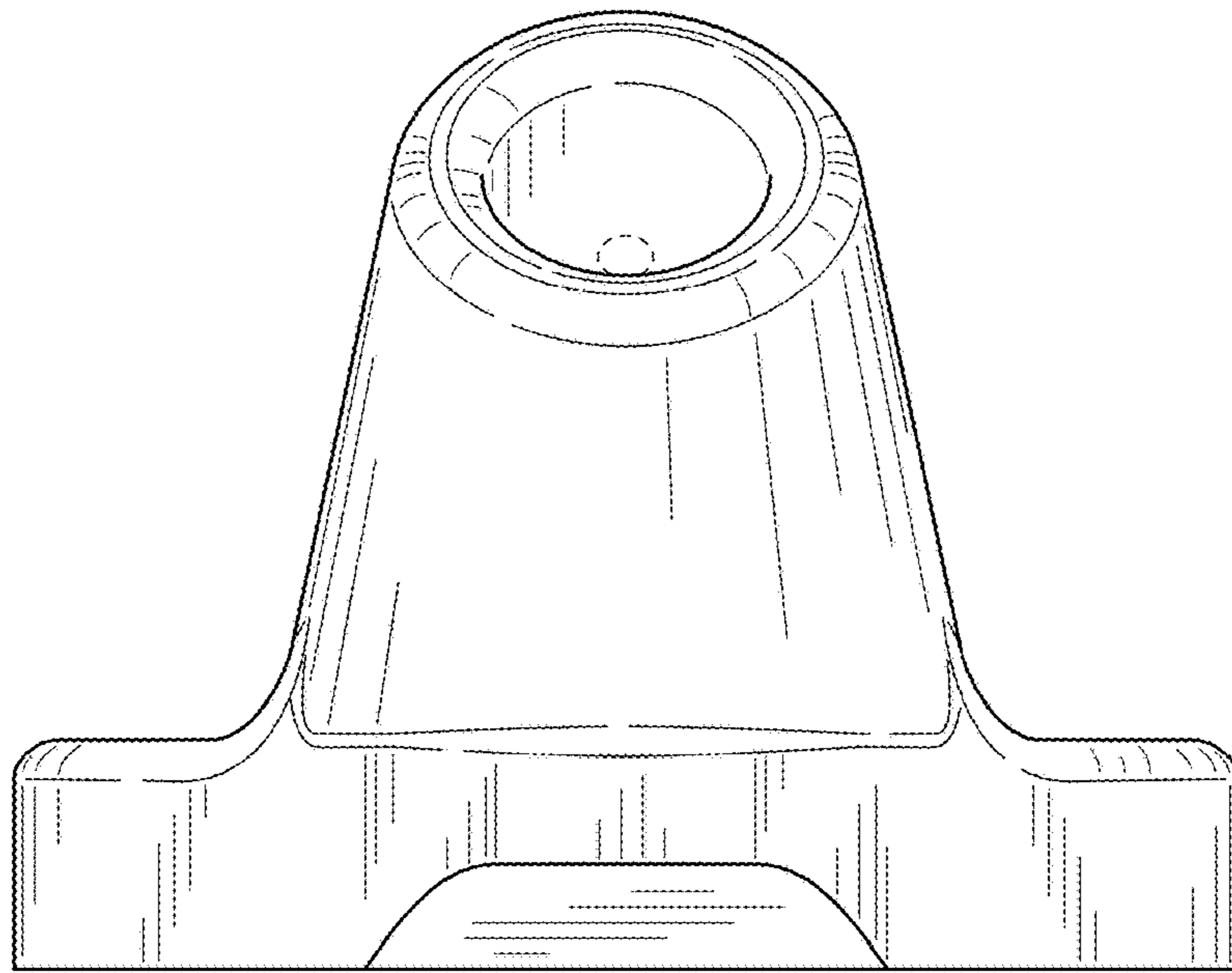


FIG. 2

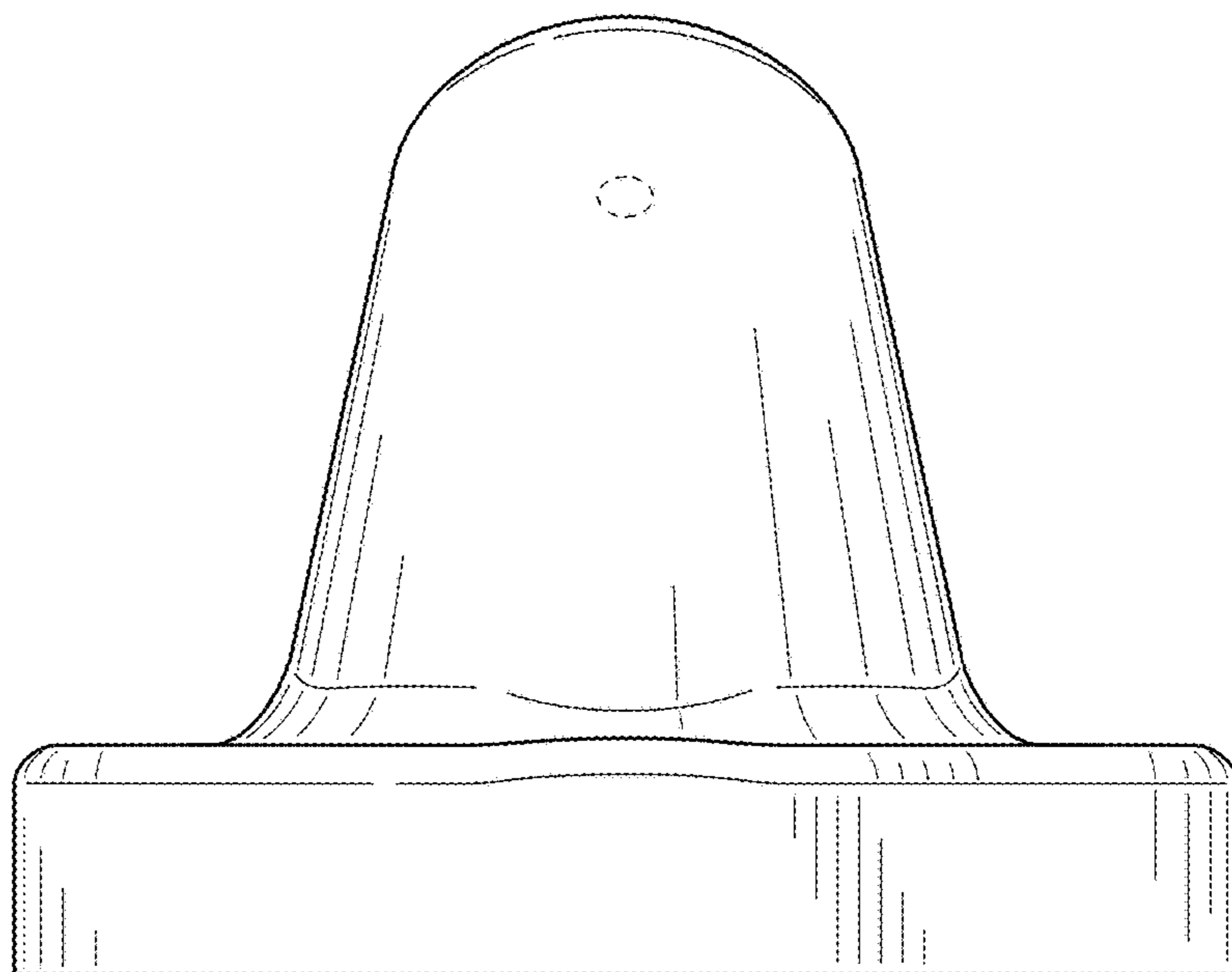


FIG. 3

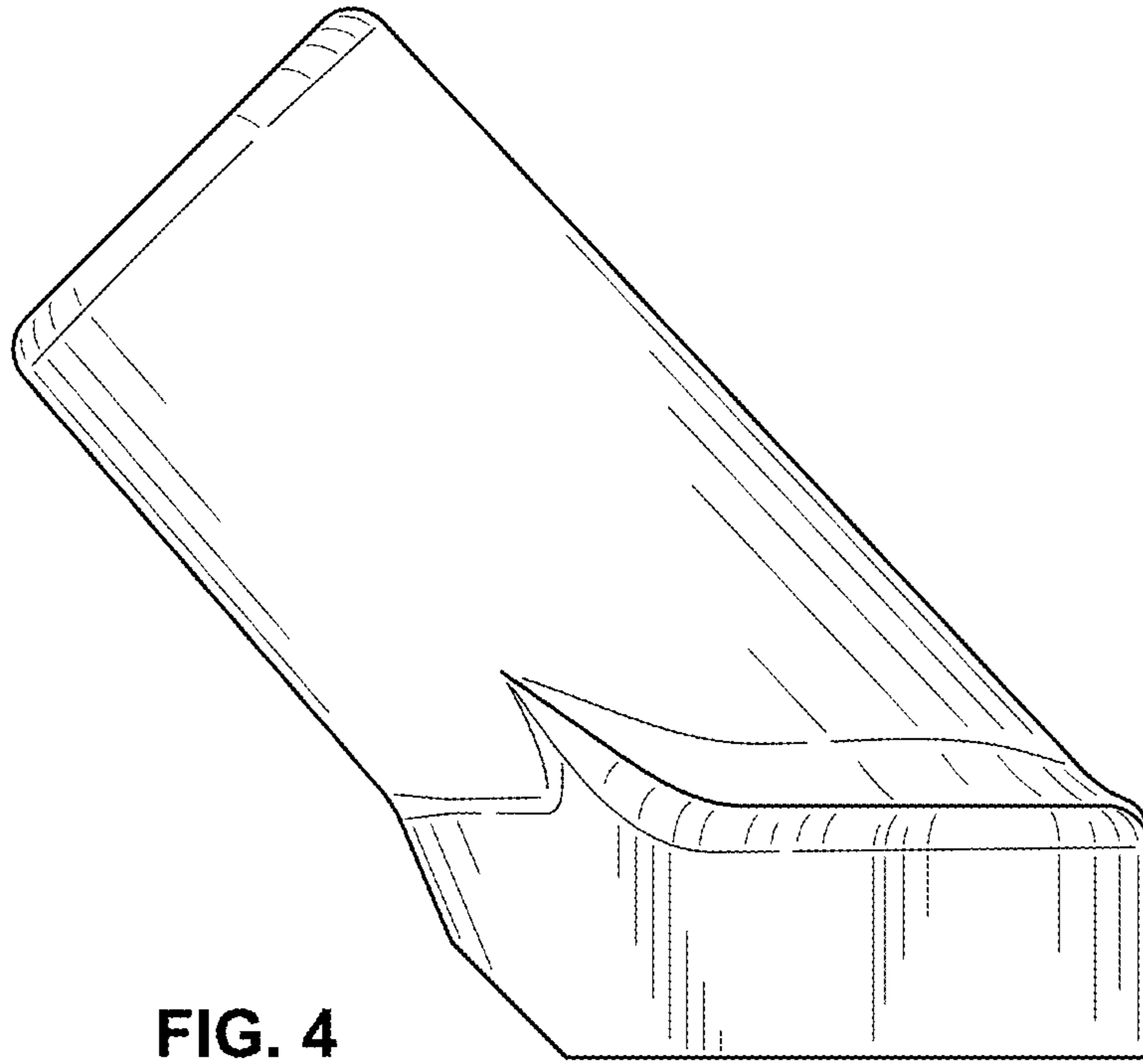


FIG. 4

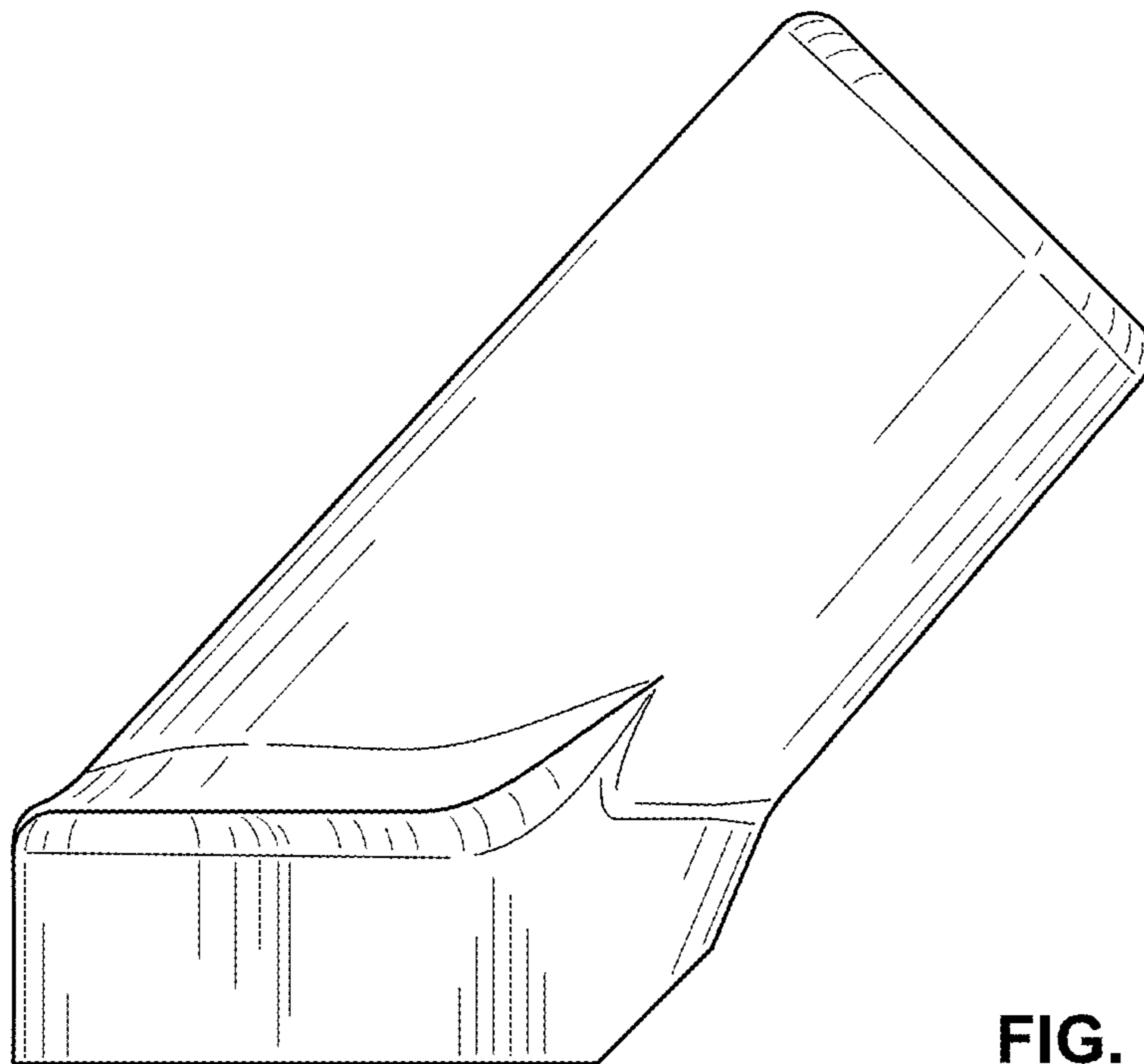


FIG. 5

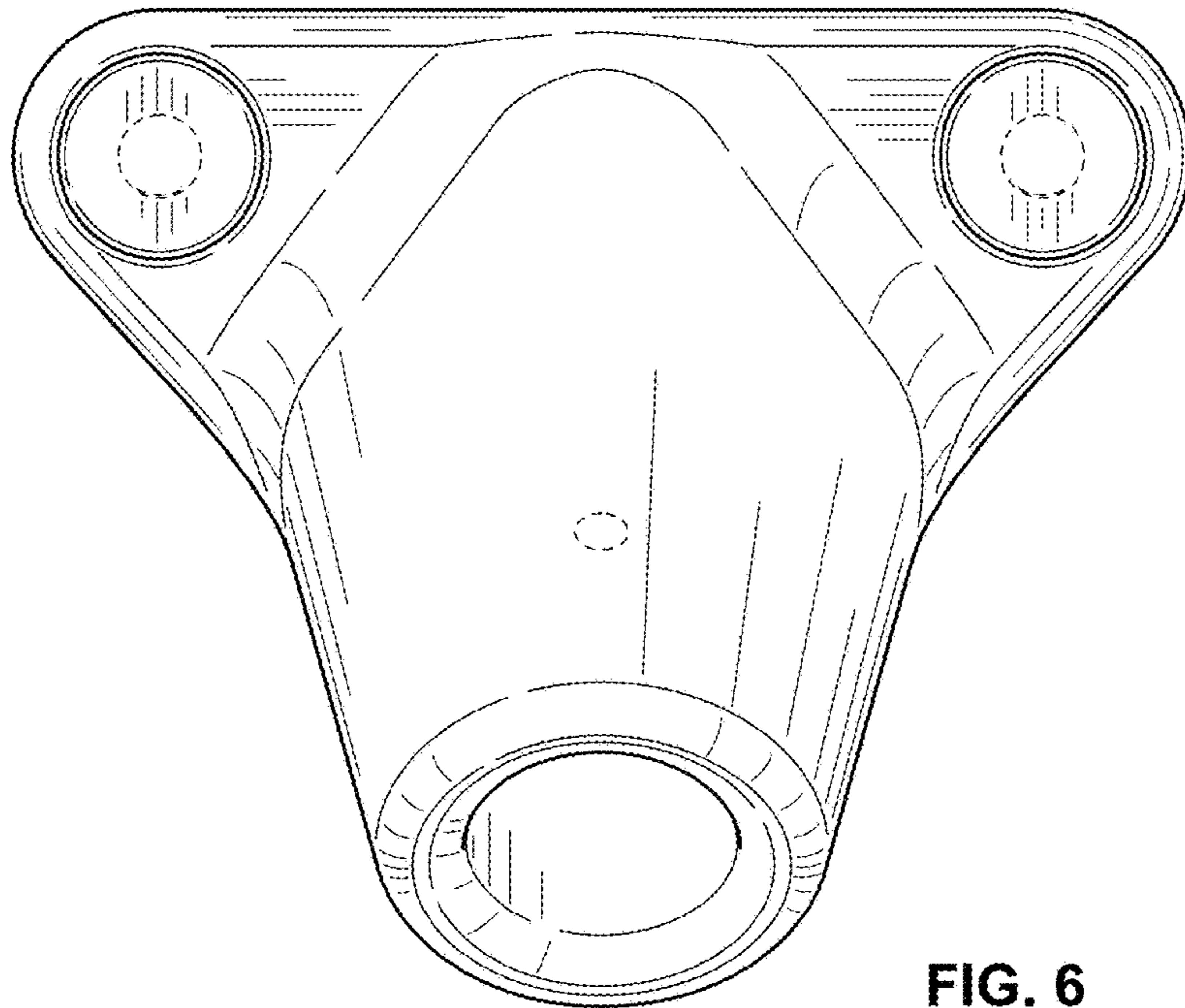


FIG. 6

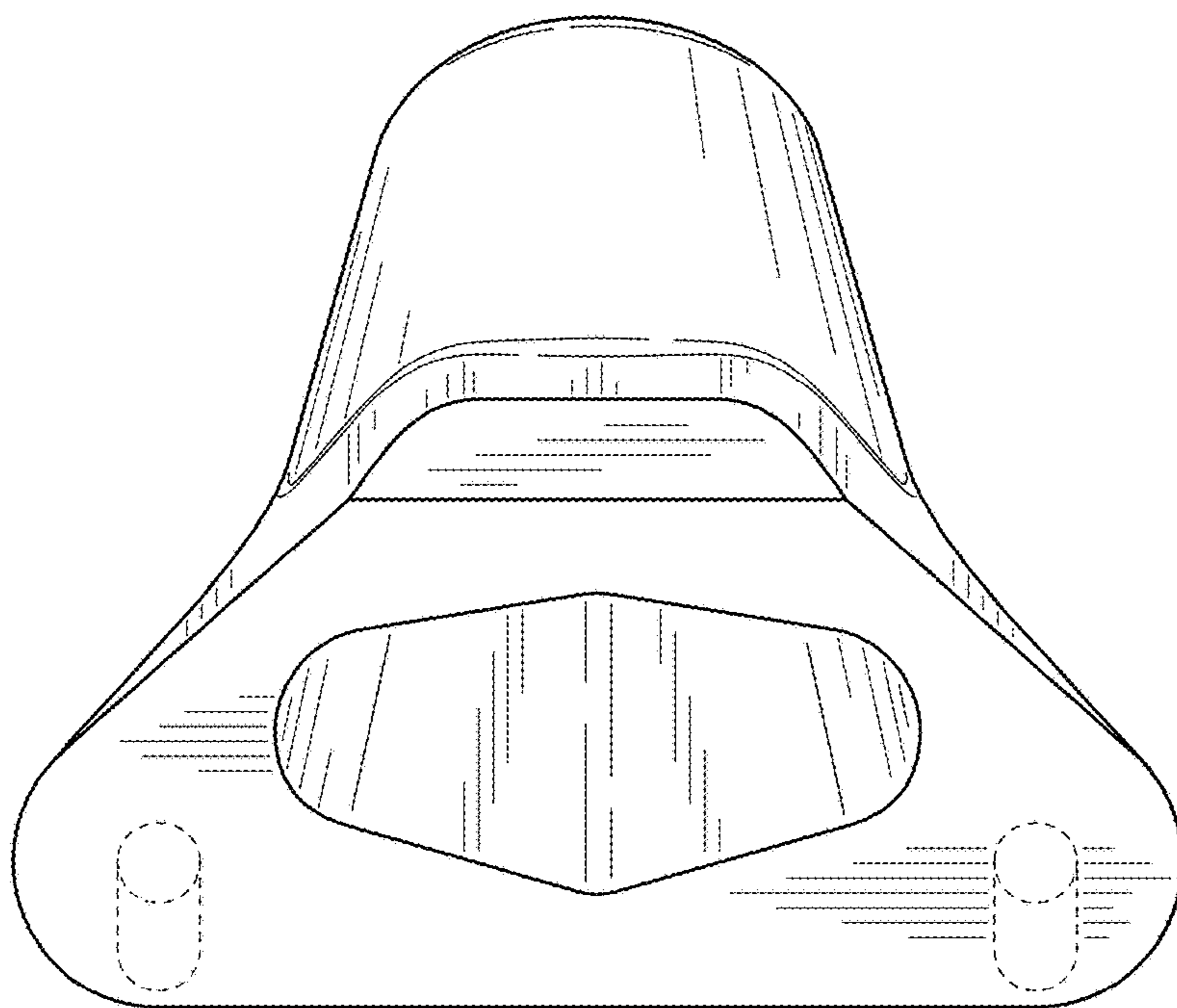


FIG. 7

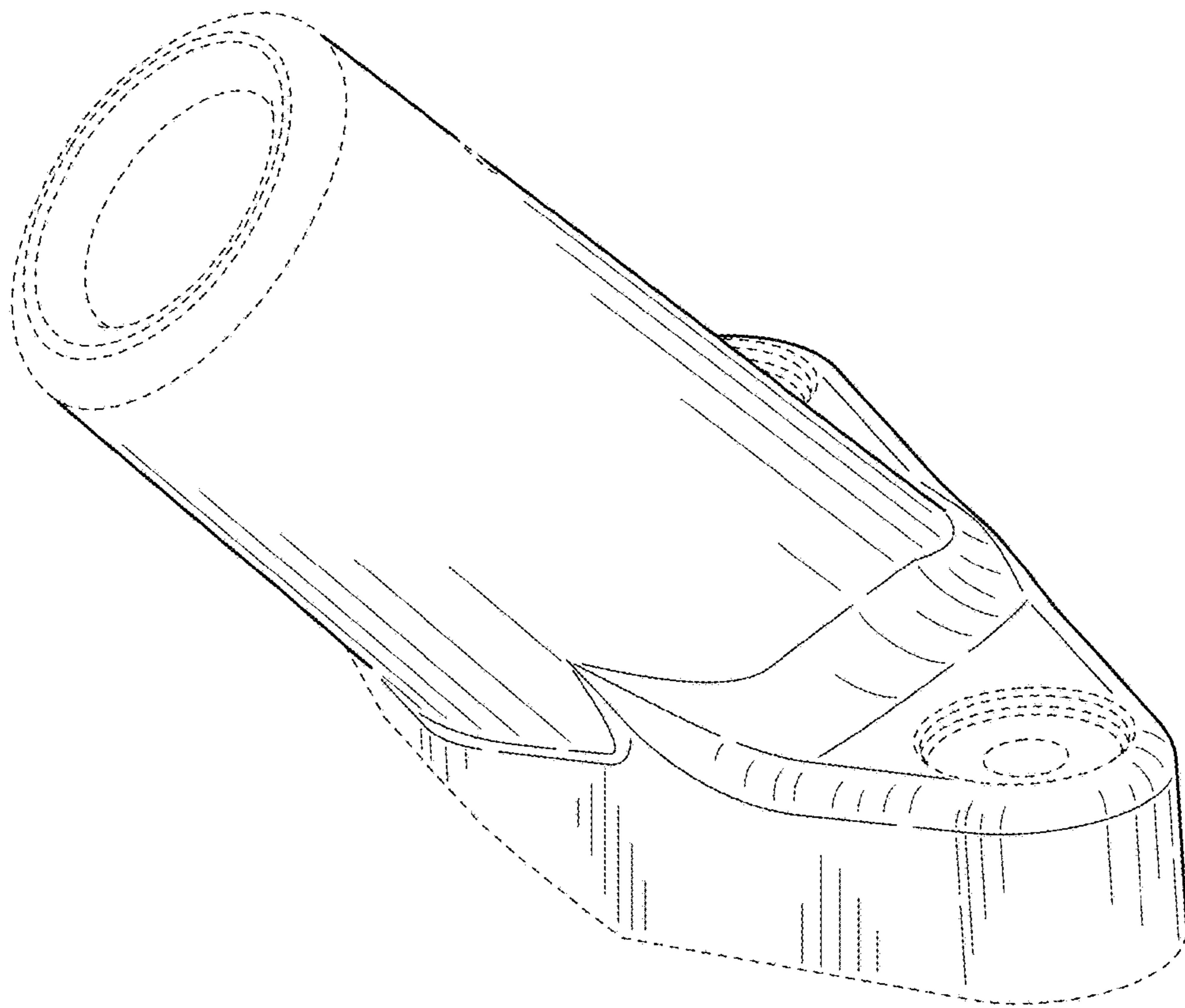


FIG. 8

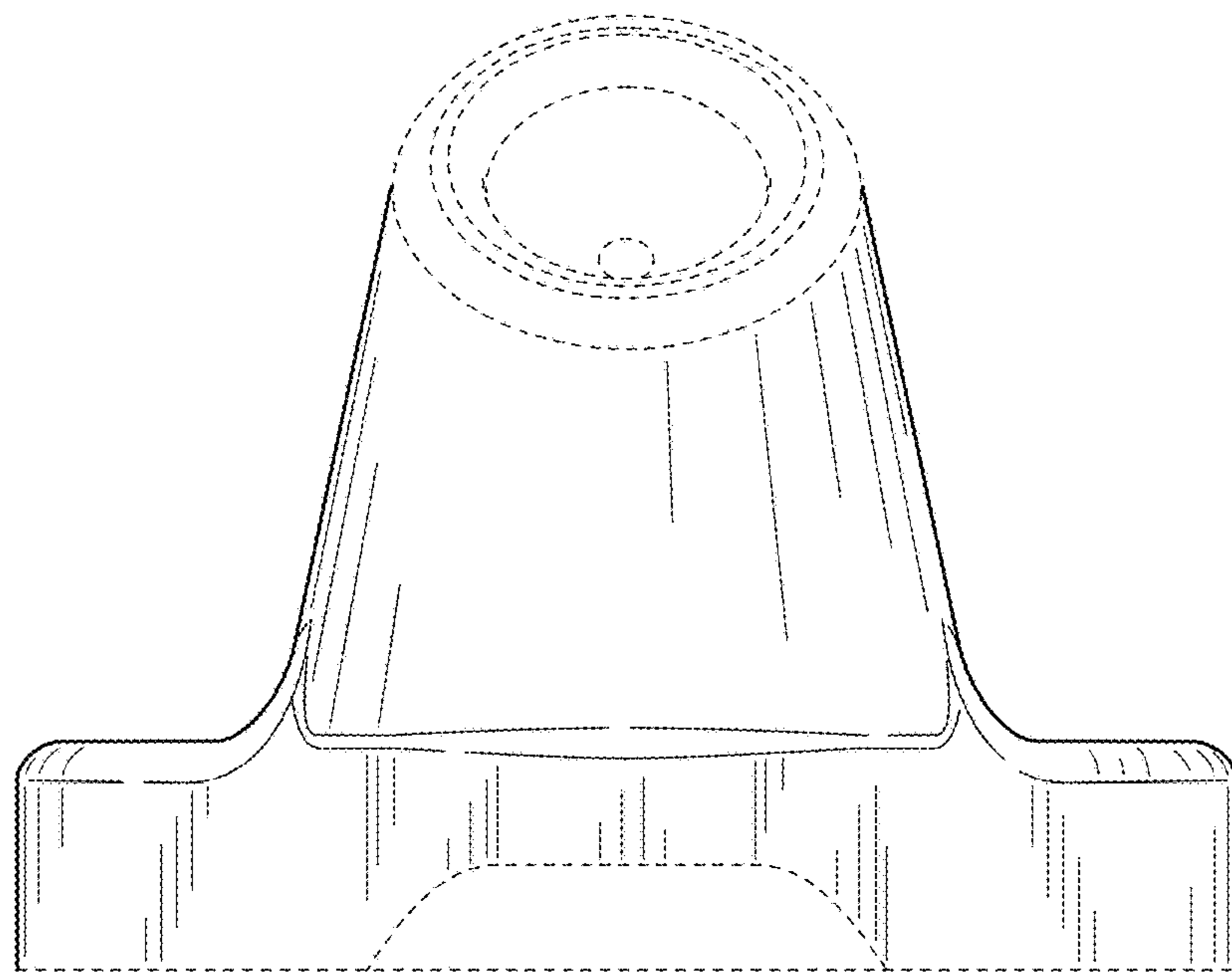


FIG. 9

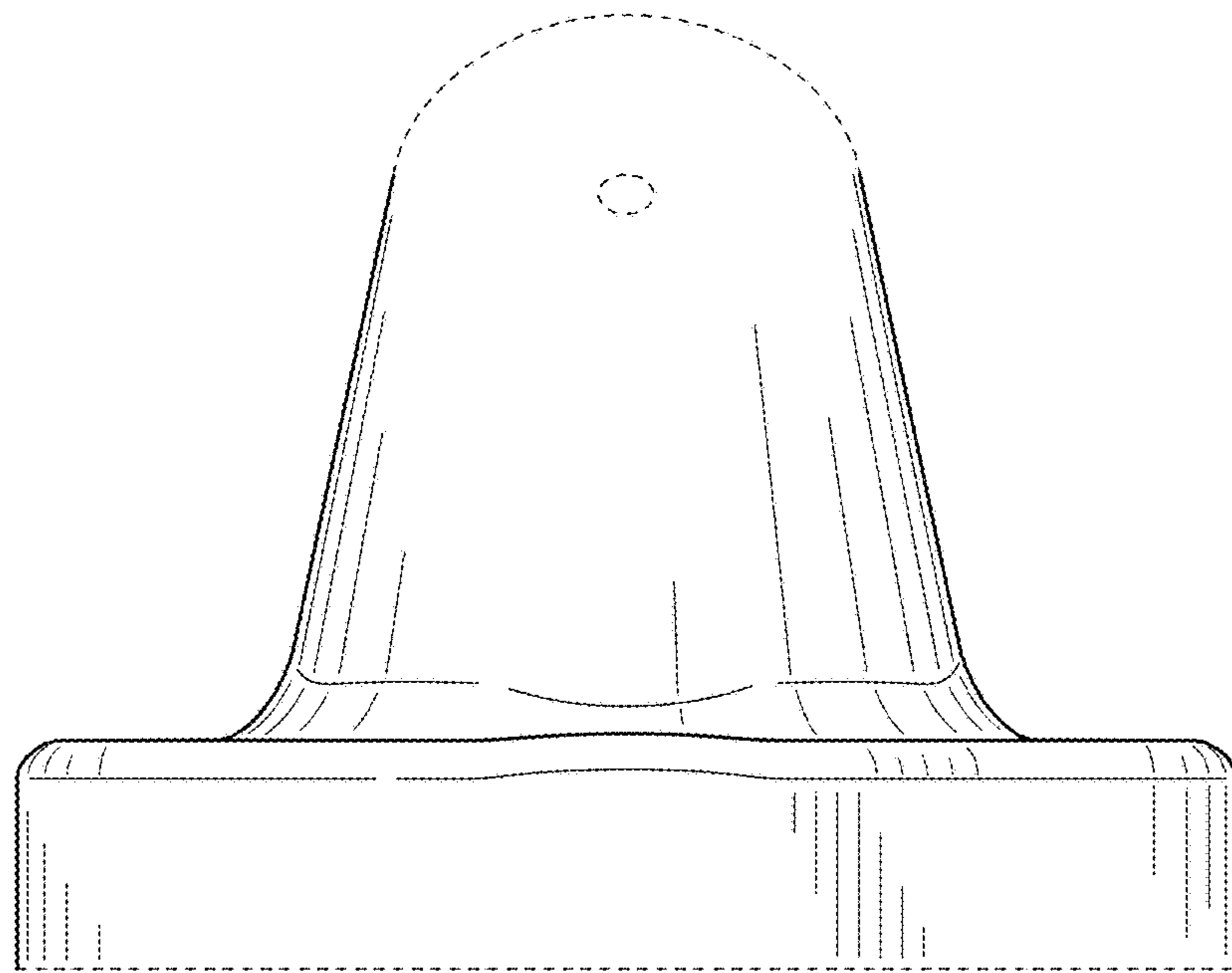


FIG. 10

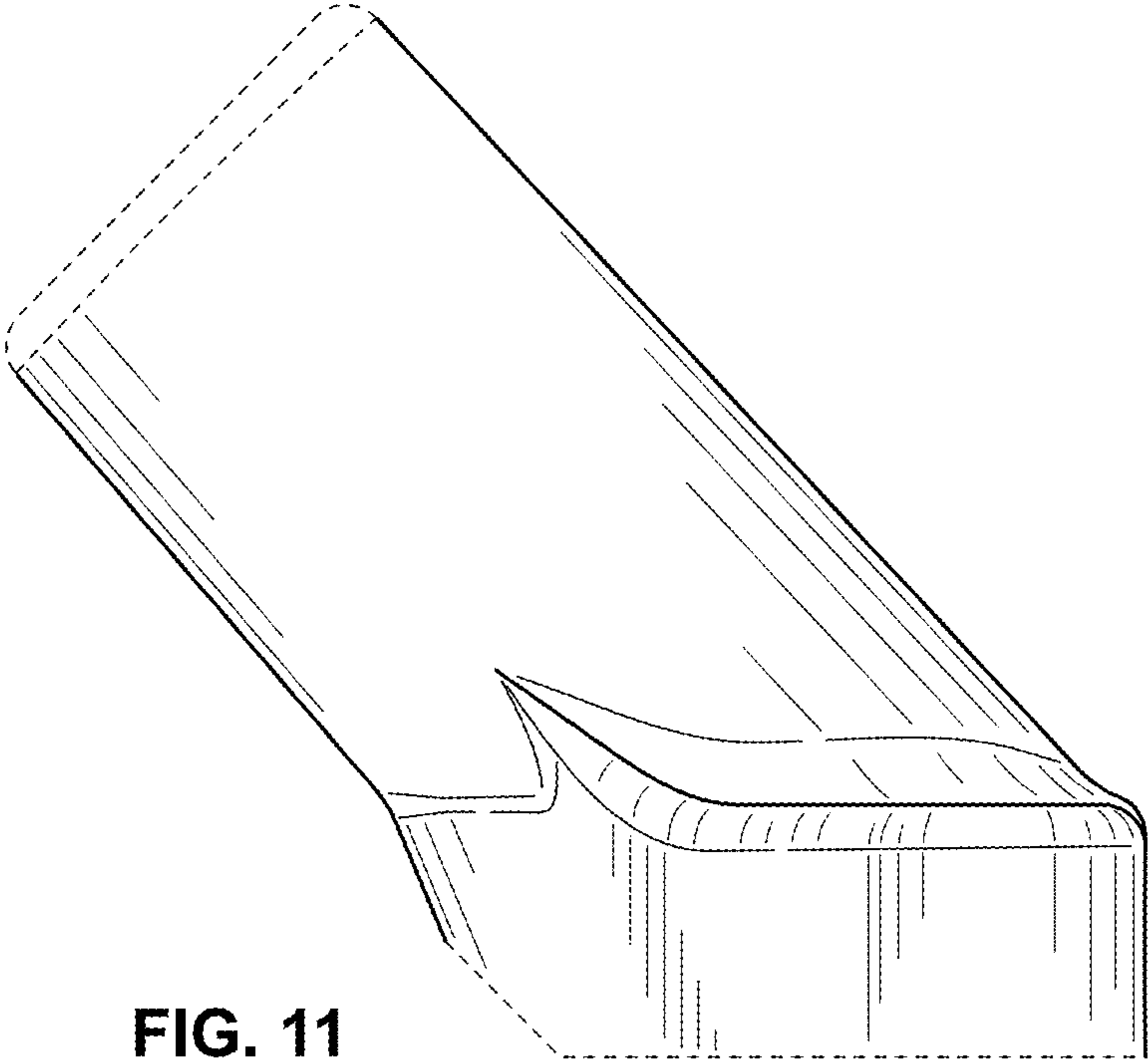


FIG. 11

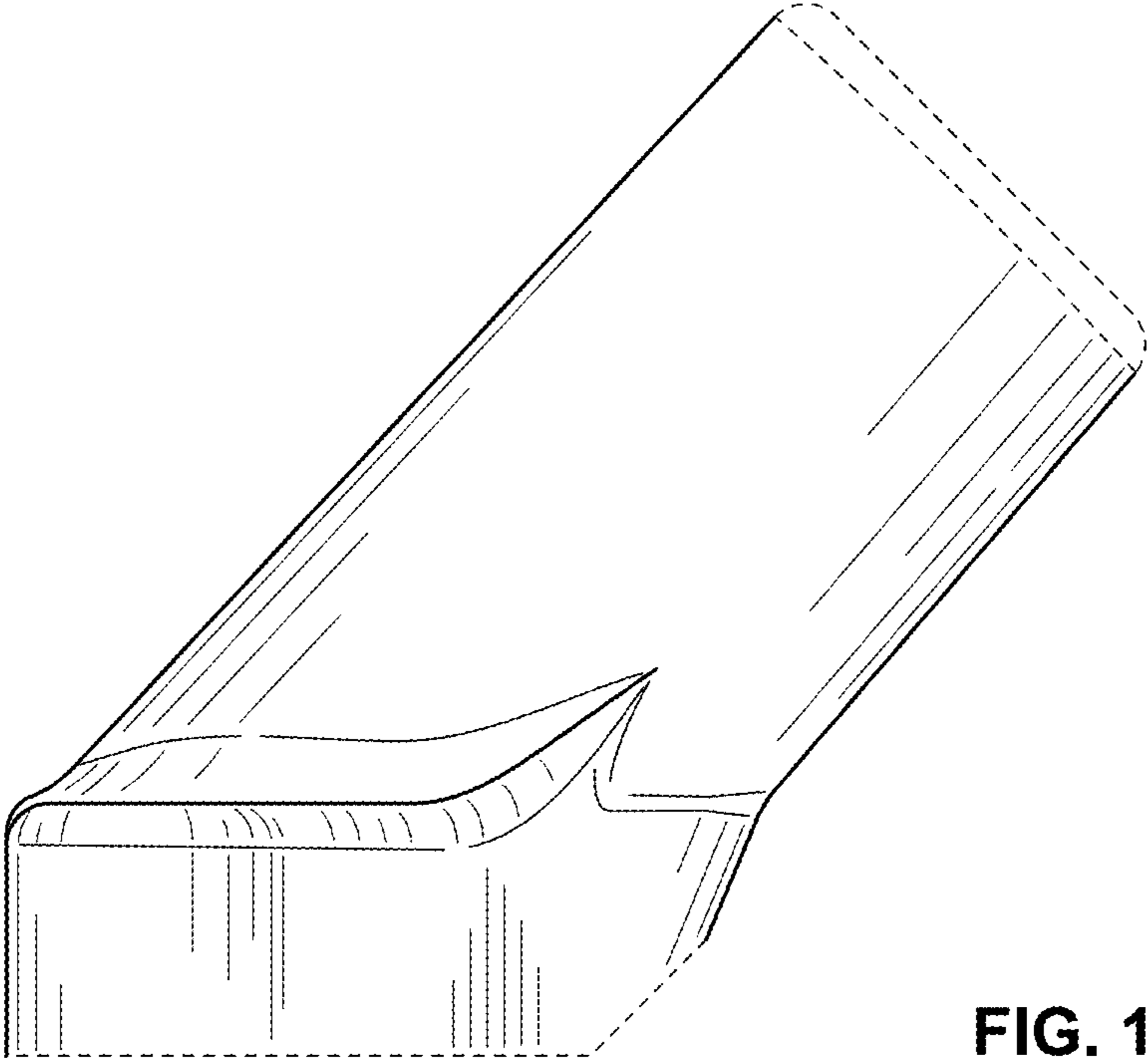


FIG. 12

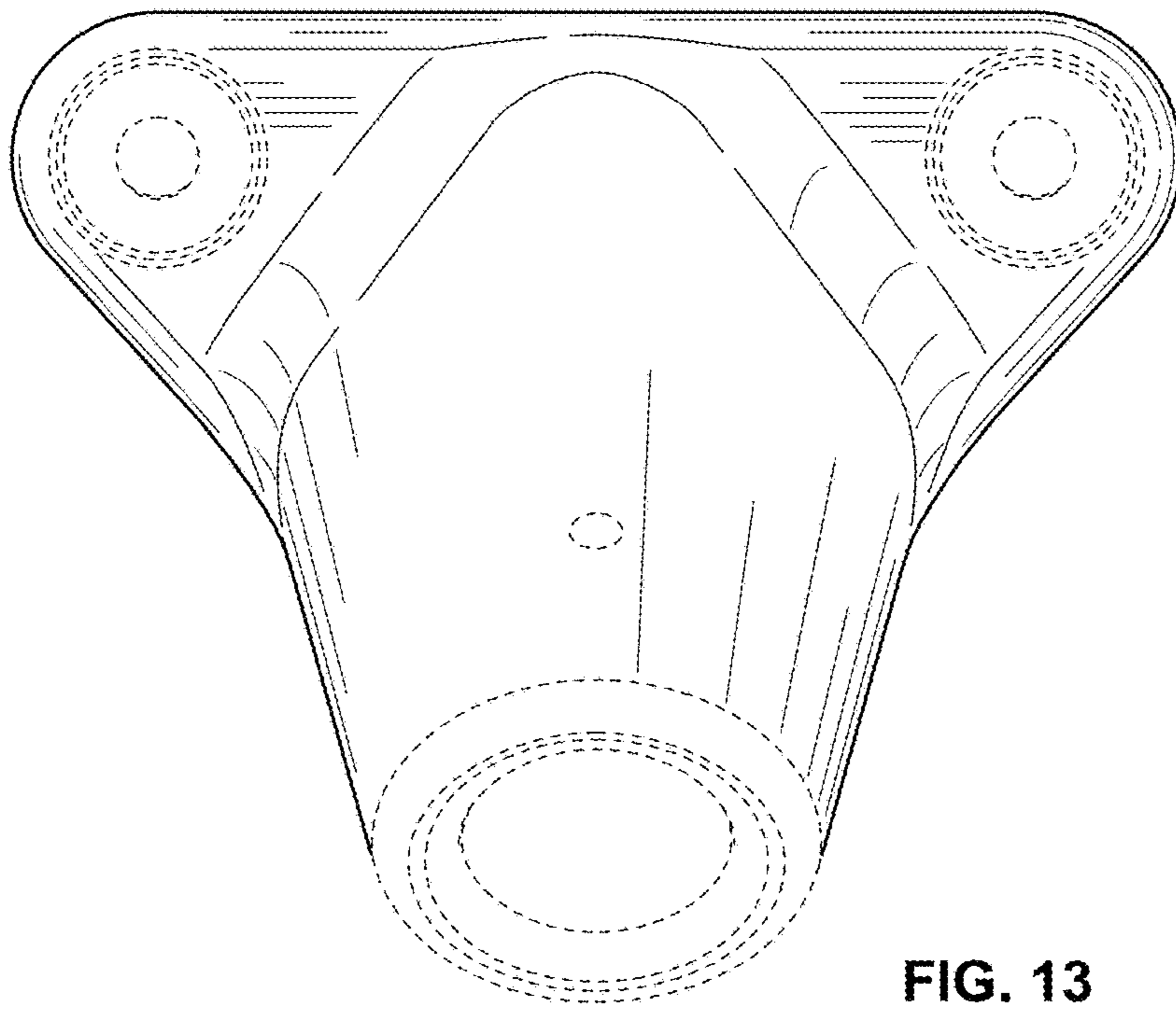


FIG. 13

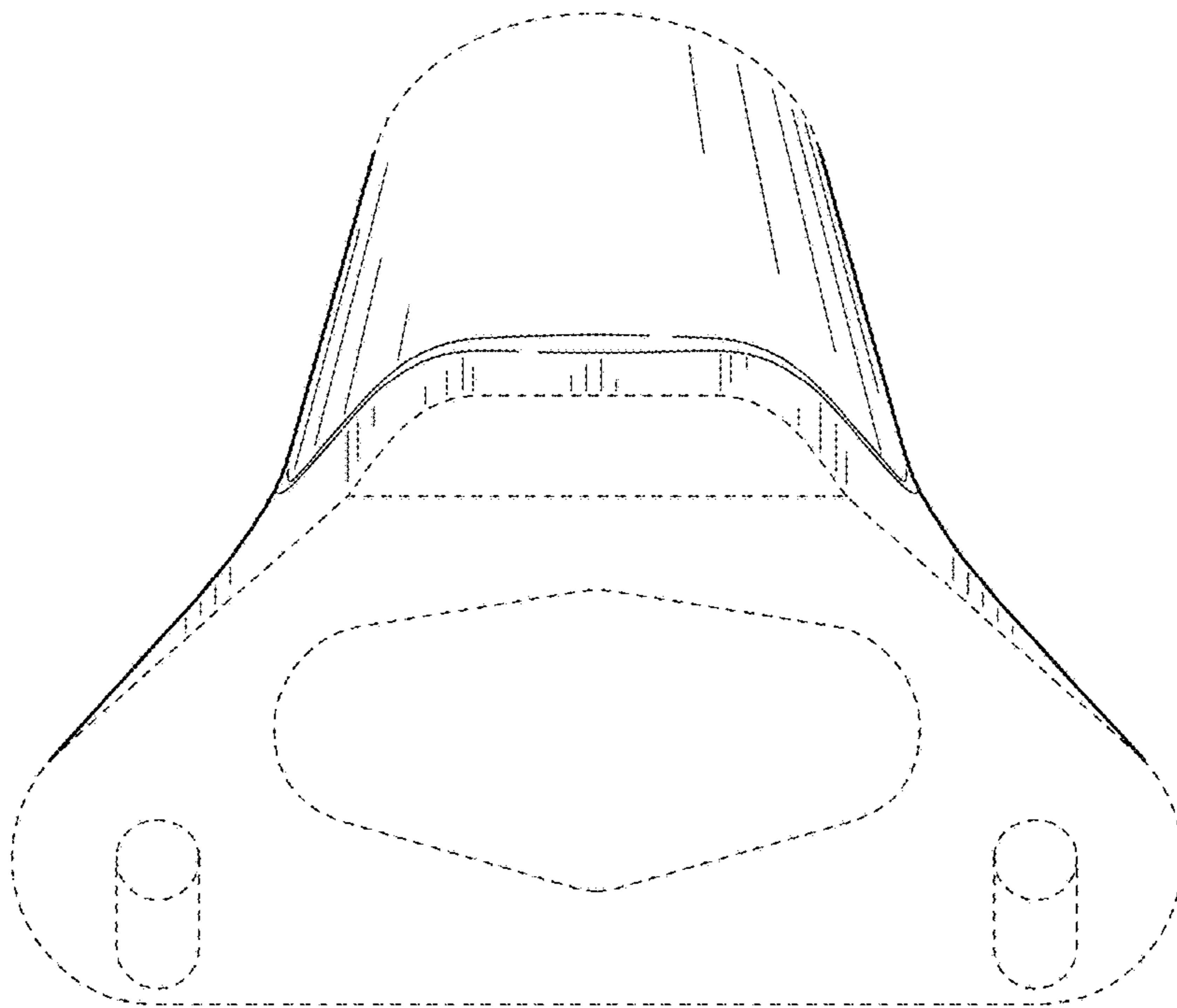


FIG. 14