

US00D801789S

(12) **United States Design Patent** (10) **Patent No.:** **US D801,789 S**
Angay (45) **Date of Patent:** **** Nov. 7, 2017**

(54) **HOOK** D630,498 S * 1/2011 Kim D8/367
D734,133 S * 7/2015 Spindler F21V 21/0808
(71) Applicant: **EGEMEN HEDIYELIK ESYA,** D8/367
Isikkent, Izmir (TR) D752,418 S * 3/2016 Stacey D8/367
D767,977 S * 10/2016 Man D8/367
(72) Inventor: **Esat Angay,** Izmir (TR) 2007/0050904 A1 * 3/2007 Harwanko A47K 3/38
4/558

(73) Assignee: **EGEMEN HEDIYELIK ESYA,**
Isikkent (TR)

(**) Term: **15 Years**

(21) Appl. No.: **29/580,013**

(22) Filed: **Oct. 5, 2016**

(30) **Foreign Application Priority Data**

Aug. 8, 2016 (TR) 2016/05447

(51) **LOC (10) Cl.** **08-05**

(52) **U.S. Cl.**
USPC **D8/367**

(58) **Field of Classification Search**
USPC D8/367, 354, 349
CPC A47G 25/0607; A47K 10/04; G09F 17/00
See application file for complete search history.

(56) **References Cited**

U.S. PATENT DOCUMENTS

D337,935 S * 8/1993 Hawley D8/367
D527,246 S * 8/2006 Clucas D8/370

* cited by examiner

Primary Examiner — Cynthia Underwood

(74) *Attorney, Agent, or Firm* — Notaro, Michalos & Zaccaria P.C.

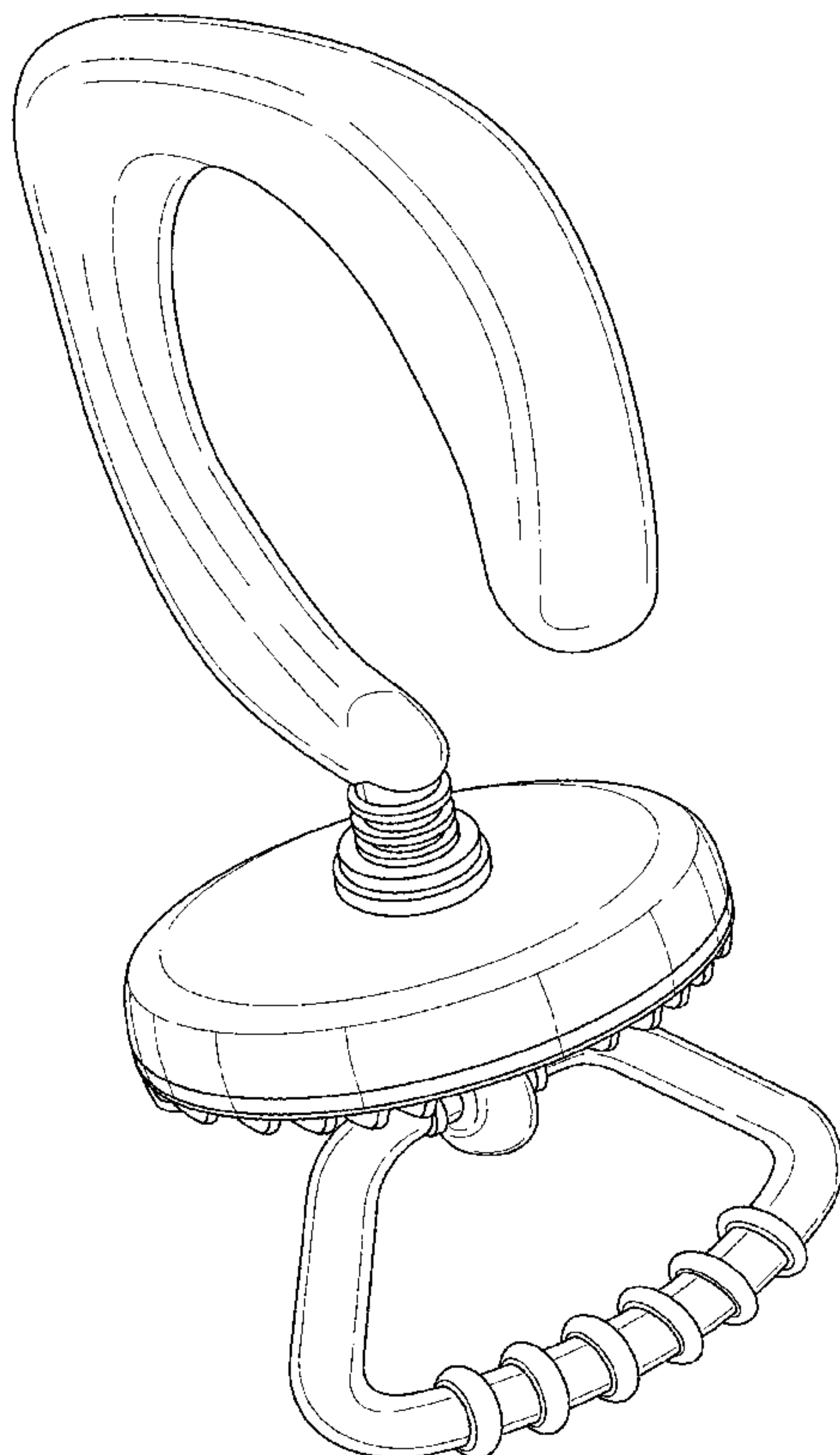
(57) **CLAIM**

The ornamental design for a hook, as shown and described.

DESCRIPTION

FIG. 1 is a front, left, top perspective view of a hook showing my new design therefor;
FIG. 2 is a front elevational view thereof;
FIG. 3 is a right side elevational view thereof;
FIG. 4 is a left side elevational view thereof;
FIG. 5 is a top plan view thereof; and,
FIG. 6 is a bottom plan view thereof.

1 Claim, 5 Drawing Sheets



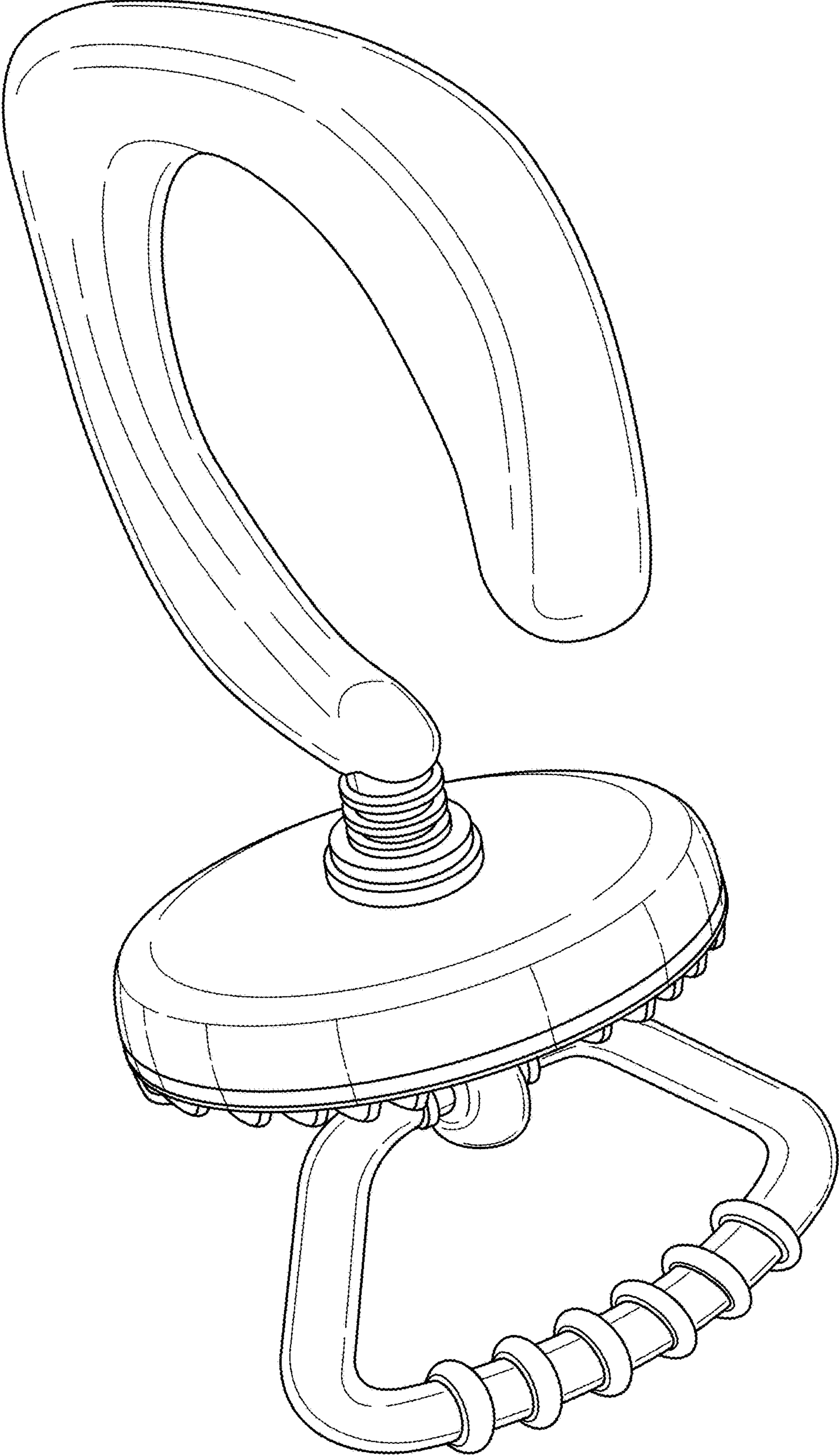


FIG. 1

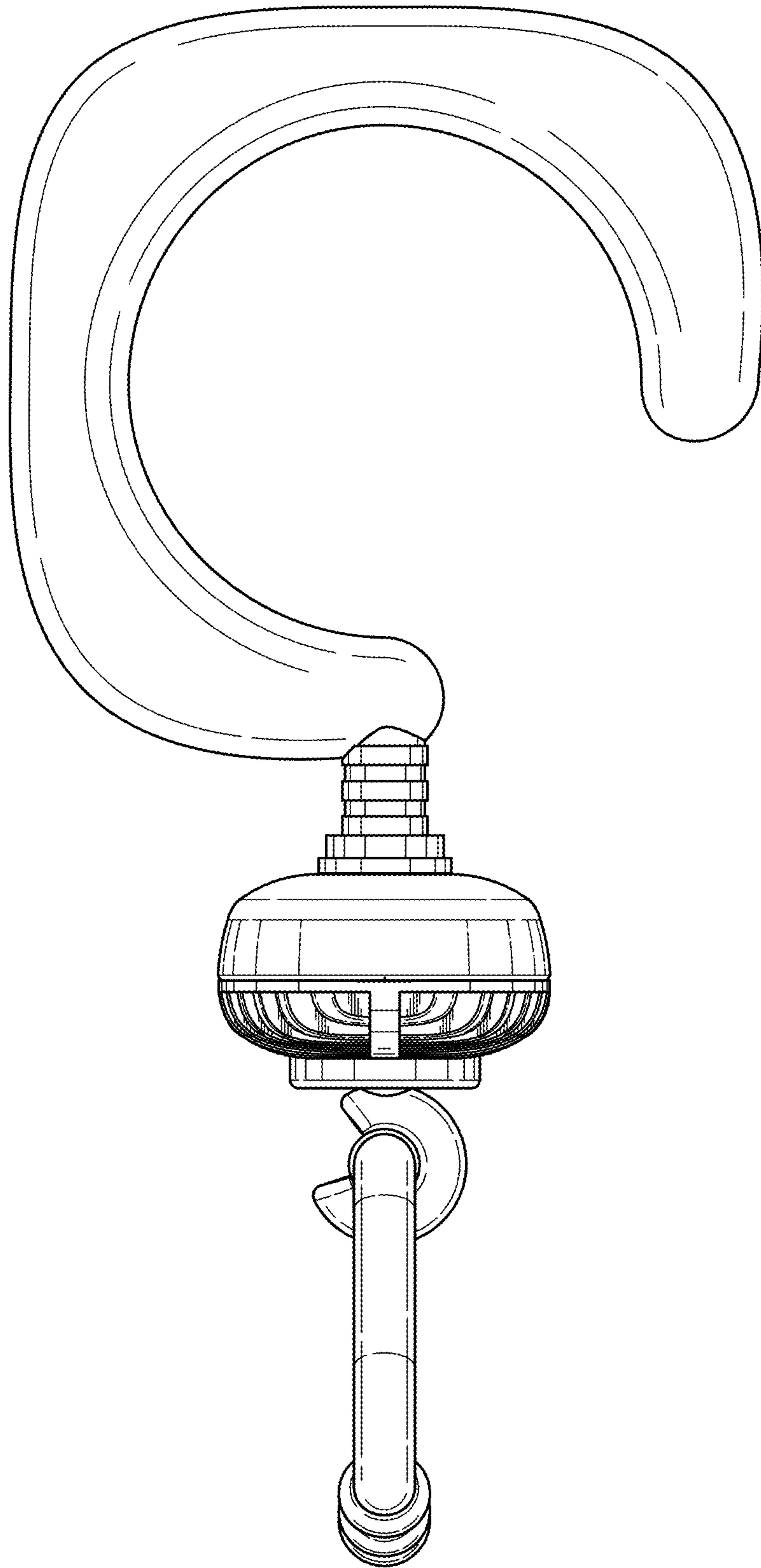


FIG. 2

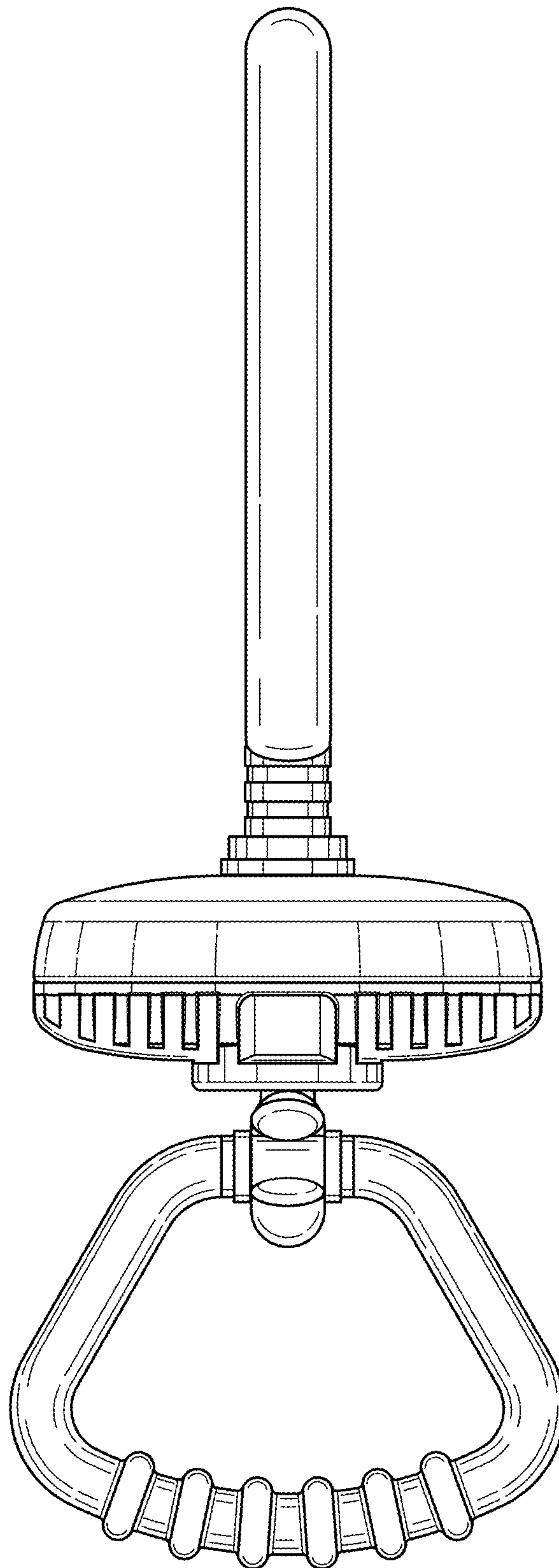


FIG. 3

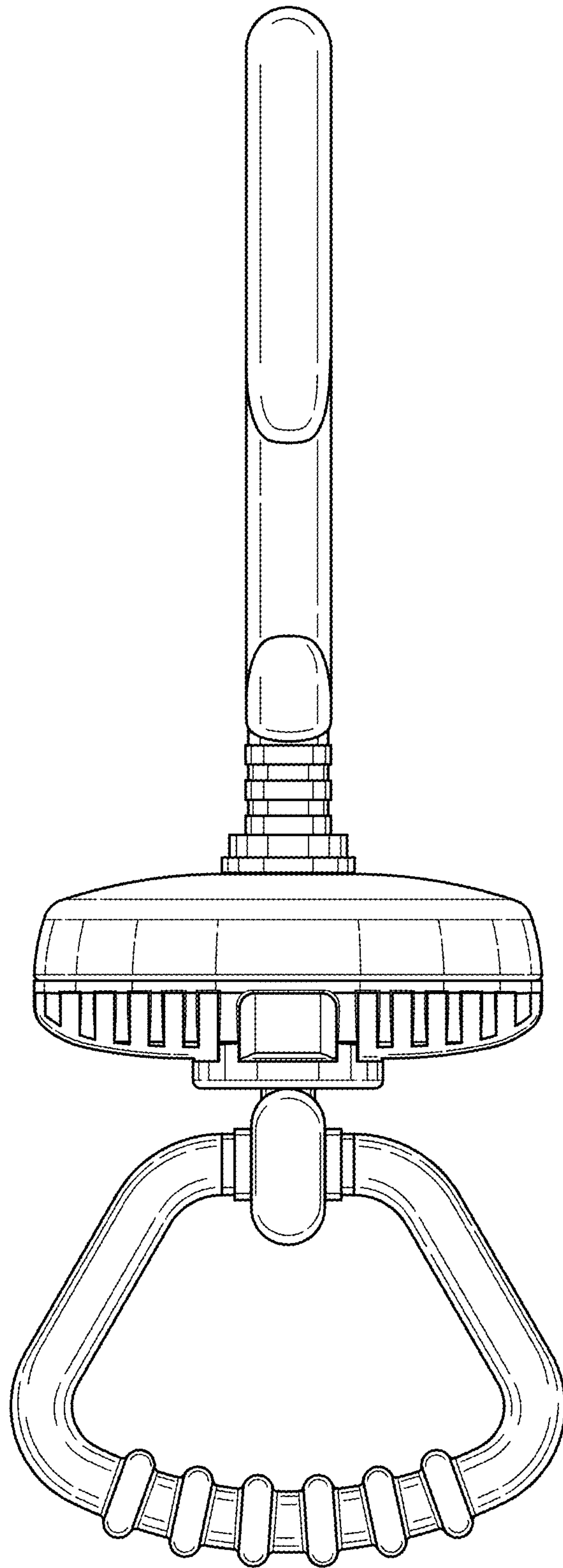


FIG. 4

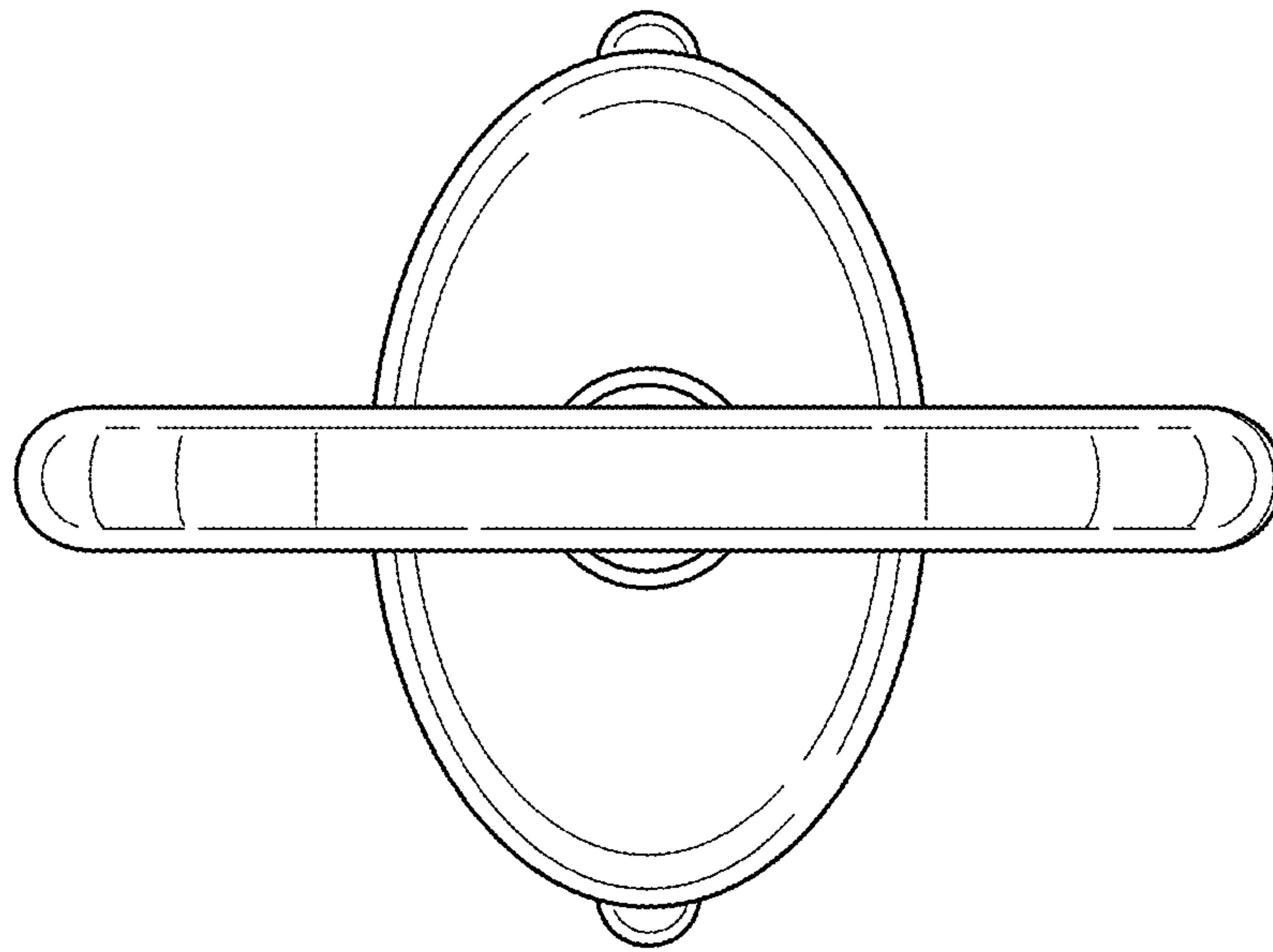


FIG. 5

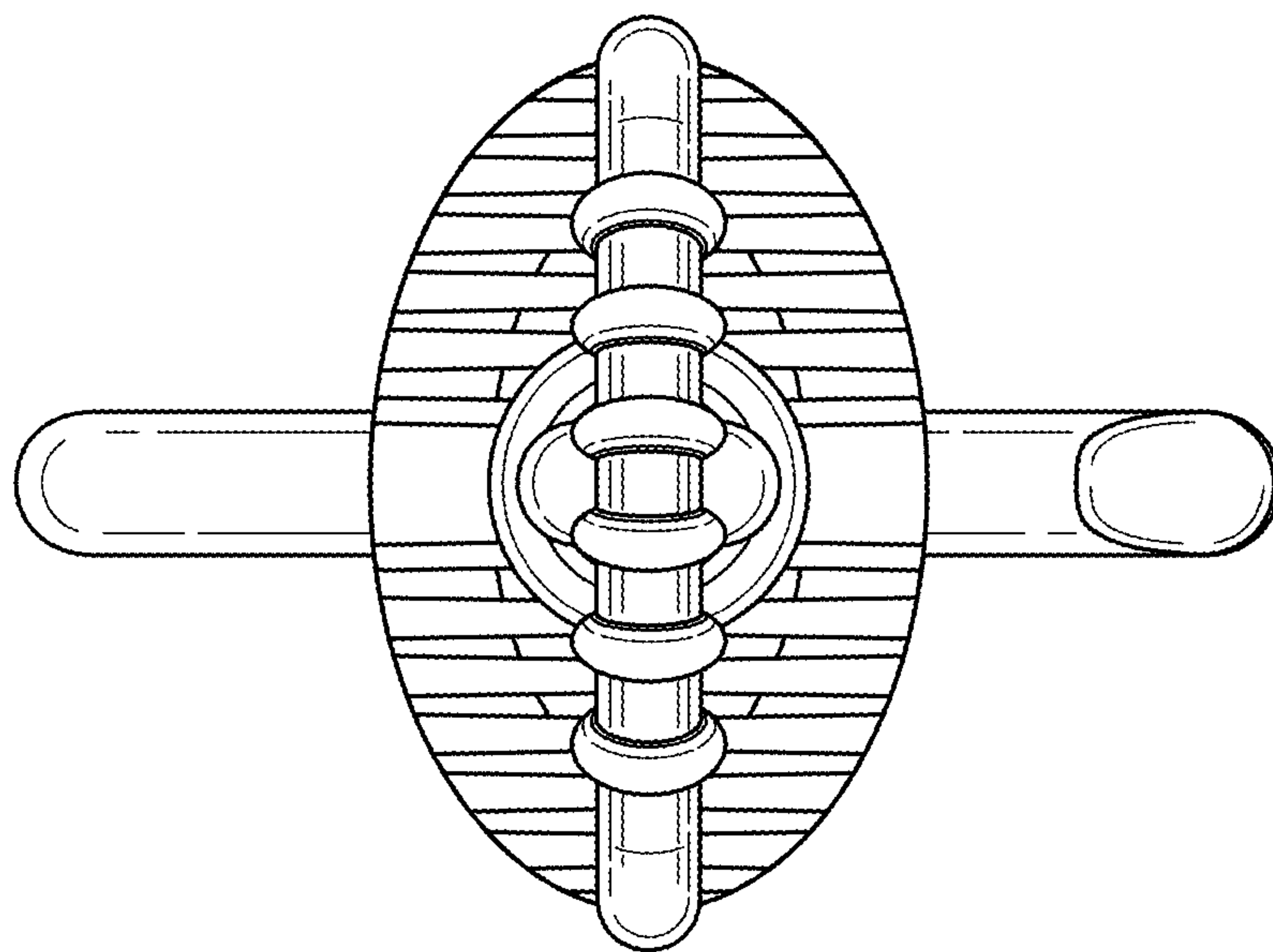


FIG. 6