



US00D801787S

(12) **United States Design Patent** (10) **Patent No.:** **US D801,787 S**
Pan et al. (45) **Date of Patent:** **** Nov. 7, 2017**

(54) **HOOK**

(71) Applicant: **3M INNOVATIVE PROPERTIES COMPANY**, St. Paul, MN (US)

(72) Inventors: **Angela L. Pan**, Arden Hills, MN (US);
Craig D. Thompson, Inver Grove Heights, MN (US)

(73) Assignee: **3M INNOVATIVE PROPERTIES COMPANY**, St. Paul, MN (US)

(**) Term: **15 Years**

(21) Appl. No.: **29/547,502**

(22) Filed: **Dec. 4, 2015**

(51) **LOC (10) Cl.** **08-05**

(52) **U.S. Cl.**
USPC **D8/367**

(58) **Field of Classification Search**
USPC D8/367, 354, 349, 394
CPC F16L 3/13; F16L 3/26; A47G 23/0225;
A47G 25/06; A47G 1/16; A47F 5/0846;
A47F 5/02; H02G 11/003; D06F 55/00;
E04H 17/10

See application file for complete search history.

(56) **References Cited**

U.S. PATENT DOCUMENTS

D241,206 S * 8/1976 Halsted et al. D6/323
D289,139 S * 4/1987 Chasen D6/323
D289,255 S * 4/1987 Chasen D6/323
D307,539 S * 5/1990 Goodman D8/367
D312,384 S * 11/1990 Hamann 248/301
D312,385 S * 11/1990 Hamann D8/367
D312,959 S * 12/1990 Hamann 248/220.43
D339,058 S * 9/1993 Greenhut D8/367
D353,492 S * 12/1994 Goodman D6/323

5,372,346 A * 12/1994 Upchurch F16B 21/04
248/222.52

D361,930 S * 9/1995 Fillipp D8/367
D390,014 S * 2/1998 Ho D6/323
D393,412 S * 4/1998 Bries D8/367
D417,385 S * 12/1999 Bries D8/367
D428,802 S * 8/2000 Villano D20/43
D431,451 S * 10/2000 Kuo D8/367
D480,292 S * 10/2003 Johansson D8/367
D494,452 S * 8/2004 Sheldon D8/367
D505,545 S * 5/2005 Kay D3/228
D543,837 S * 6/2007 Newbould D8/367
D554,481 S * 11/2007 Newbould D8/367
D554,482 S * 11/2007 Hager D8/367
D558,034 S * 12/2007 Ernst D8/372
D565,939 S * 4/2008 Newbould D8/367
D579,322 S * 10/2008 Newbould D8/367
D583,653 S * 12/2008 Thompson D8/367
D591,143 S * 4/2009 Ernst D8/370
D603,688 S * 11/2009 Chiu D8/367
D609,995 S * 2/2010 Hager D8/367

(Continued)

Primary Examiner — Cynthia Underwood
(74) *Attorney, Agent, or Firm* — Irina Hass

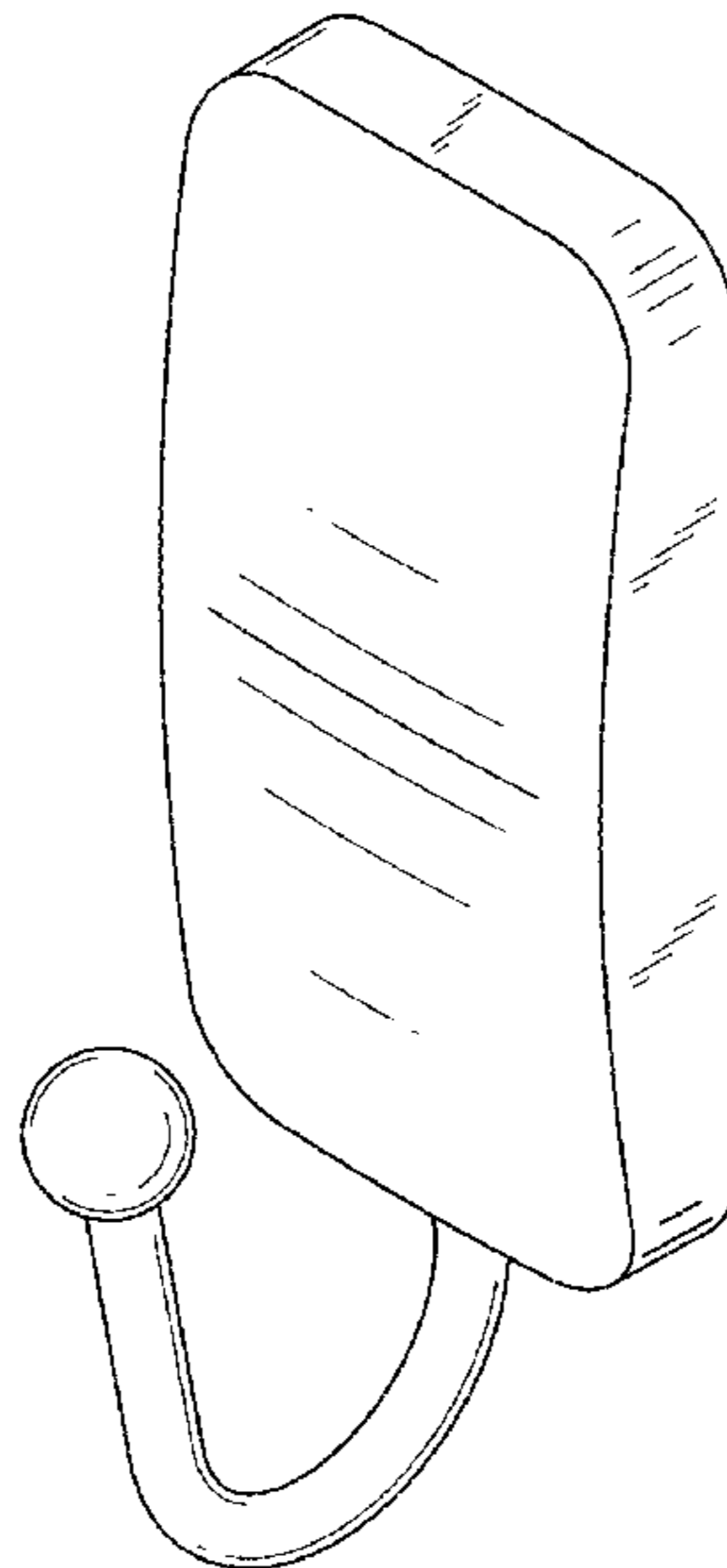
(57) **CLAIM**

The ornamental design for a hook, as shown and described.

DESCRIPTION

FIG. 1 is a perspective view showing a new design for a hook;
FIG. 2 is a front view thereof;
FIG. 3 is a right side view thereof, a left side view being a mirror image thereof;
FIG. 4 is a rear view thereof;
FIG. 5 is a top view thereof; and,
FIG. 6 is a bottom view thereof.
The portions of the hook in FIGS. 3-6 shown in broken lines are included to show features that form no part of the claimed design.

1 Claim, 2 Drawing Sheets



(56)

References Cited

U.S. PATENT DOCUMENTS

7,789,248 B1 *	9/2010	Salerno	A47G 25/08	211/106.01	D697,389 S *	1/2014	Pan	D8/367
D627,995 S *	11/2010	Osterle	D6/716		D715,133 S *	10/2014	Pan	D8/367
D632,951 S *	2/2011	McGreevy	D8/367		D715,625 S	10/2014	Pan		
D641,228 S *	7/2011	Qiblawi	D8/367		D715,626 S *	10/2014	Pan	D8/367
D641,229 S *	7/2011	Qiblawi	D8/367		D734,133 S *	7/2015	Spindler	F21V 21/0808
7,972,100 B2 *	7/2011	Horvath	F16B 13/002	248/304	D746,664 S *	1/2016	Najieb	D23/411
8,002,225 B1 *	8/2011	Malone	A47B 81/00	211/118	D751,371 S *	3/2016	Pan	D8/372
D665,653 S *	8/2012	Thompson	D8/367		D751,372 S *	3/2016	Thompson	D8/372
D670,997 S *	11/2012	Thompson	D8/367		D756,205 S *	5/2016	New	D8/367
D678,041 S *	3/2013	Pan	D8/367		D756,755 S *	5/2016	Kuehn	D8/367
D680,804 S *	4/2013	Gilboe	D7/367		D756,756 S *	5/2016	Kuehn	D8/367
D697,387 S *	1/2014	Starck	D8/367		D759,469 S *	6/2016	Garland	D8/367
D697,388 S *	1/2014	Pan	D8/367		D760,068 S *	6/2016	Sehl	D8/367
						D762,108 S *	7/2016	Knight	D8/372
						D764,901 S *	8/2016	Esparza	D8/367
						D781,683 S *	3/2017	Yi	D8/354
						2006/0022105 A1 *	2/2006	MacKay	F16B 45/00
										248/304

* cited by examiner

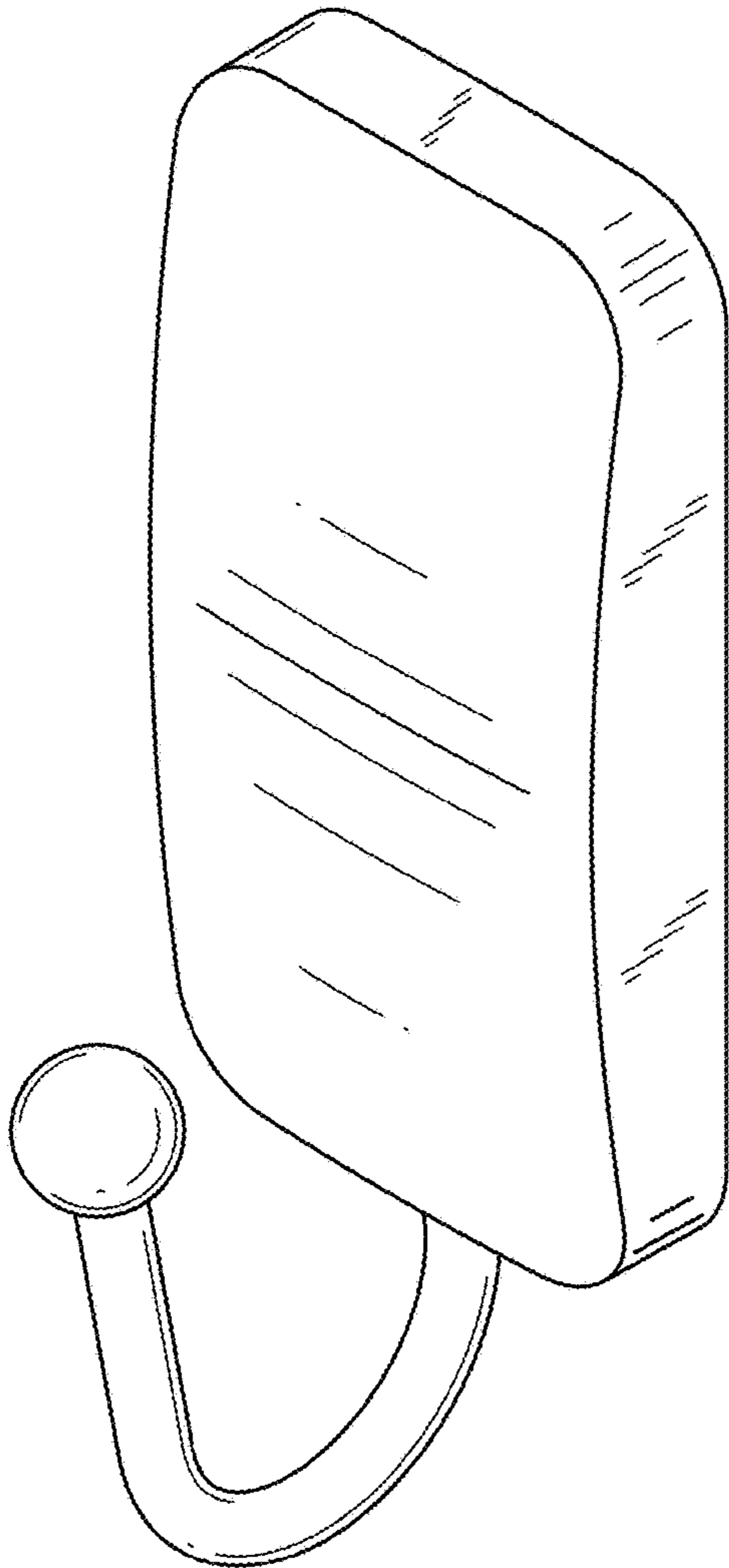


FIG. 1

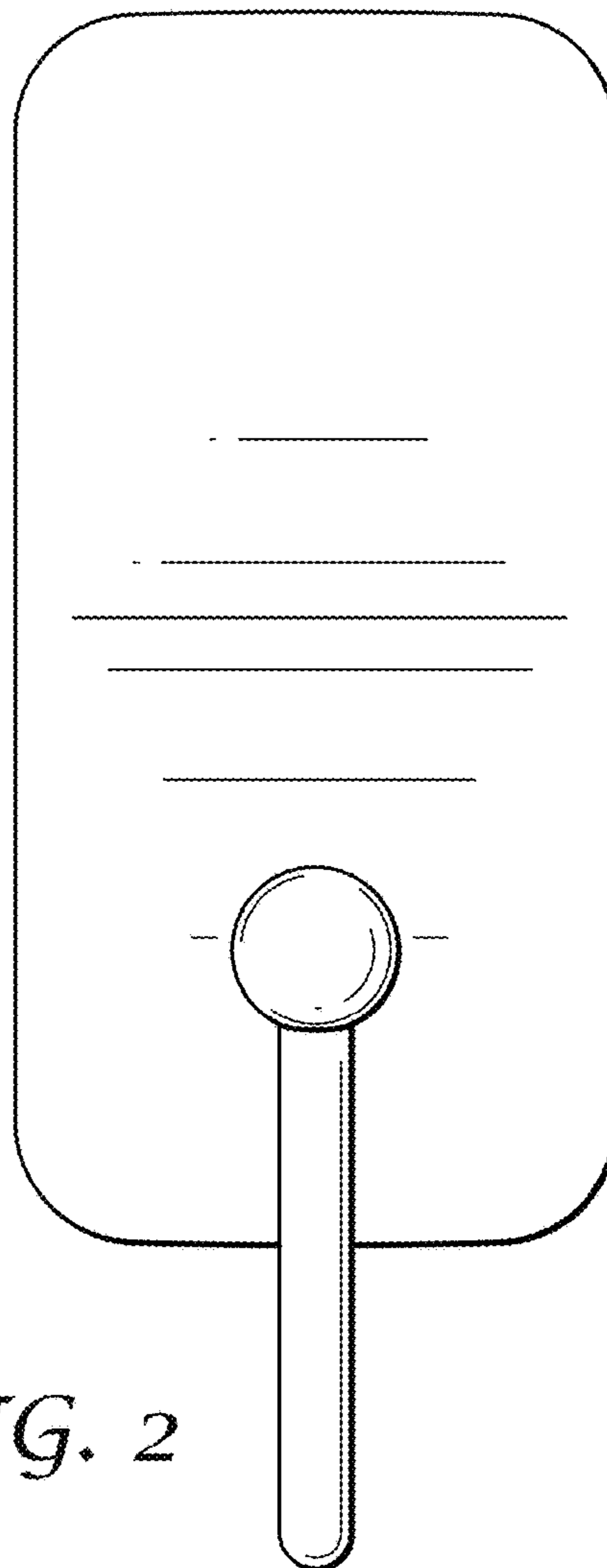


FIG. 2

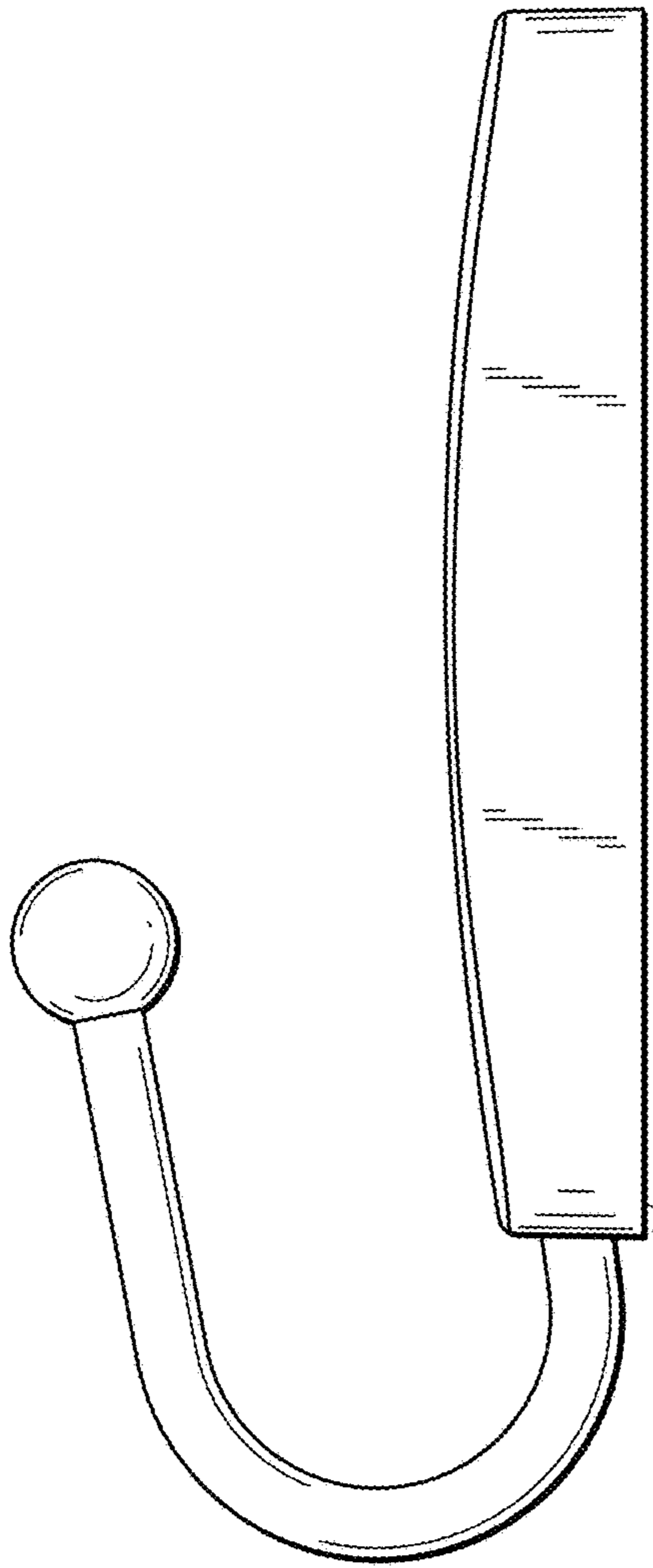


FIG. 3

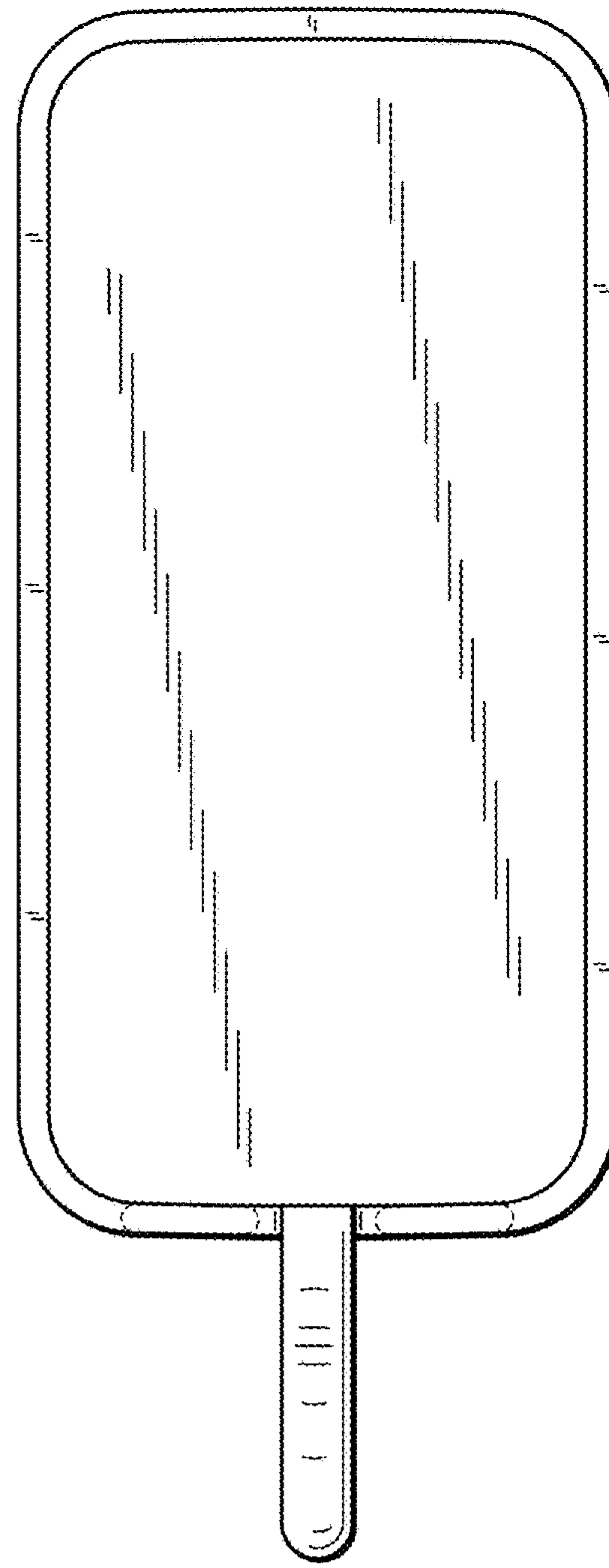


FIG. 4

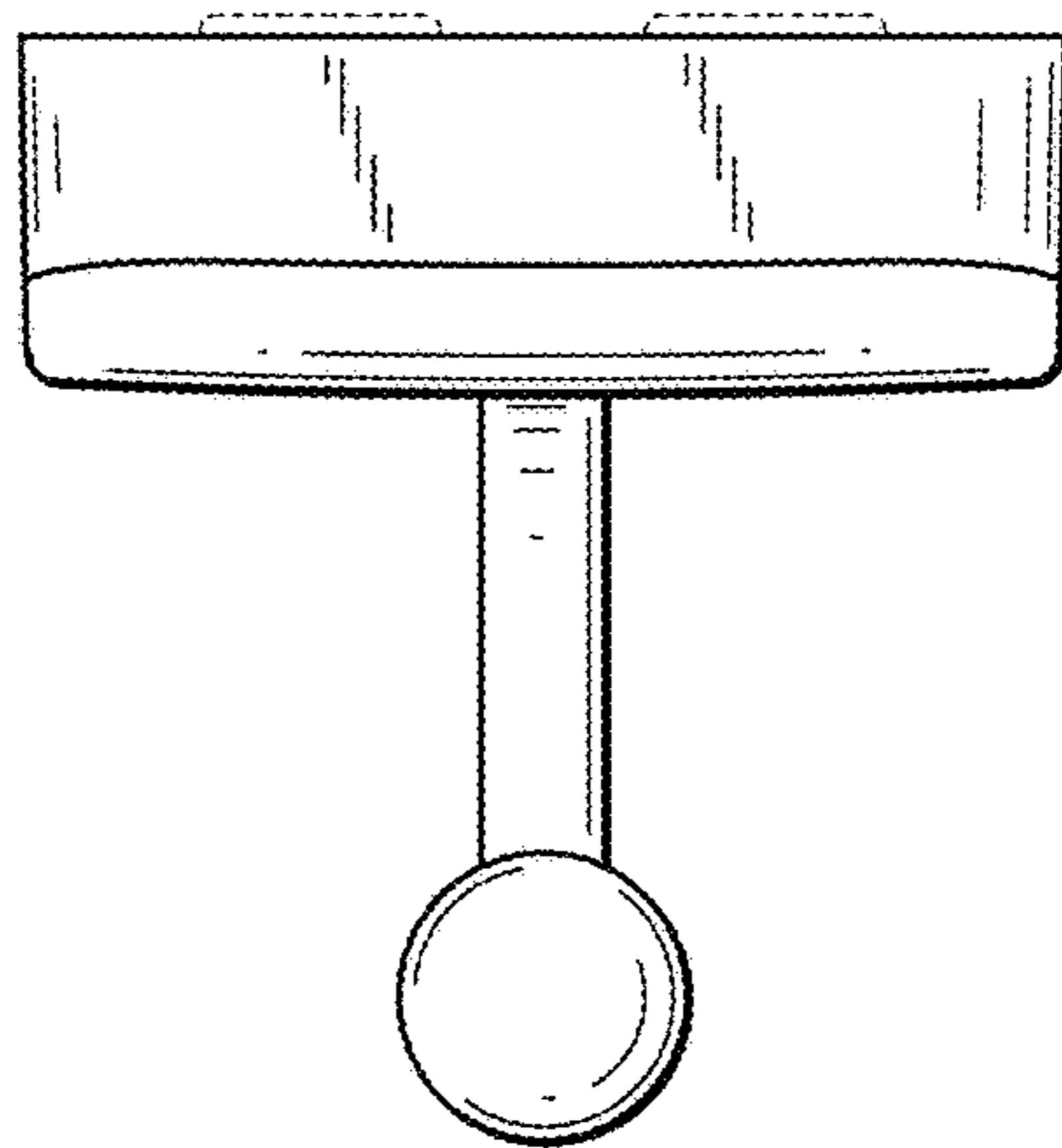


FIG. 5

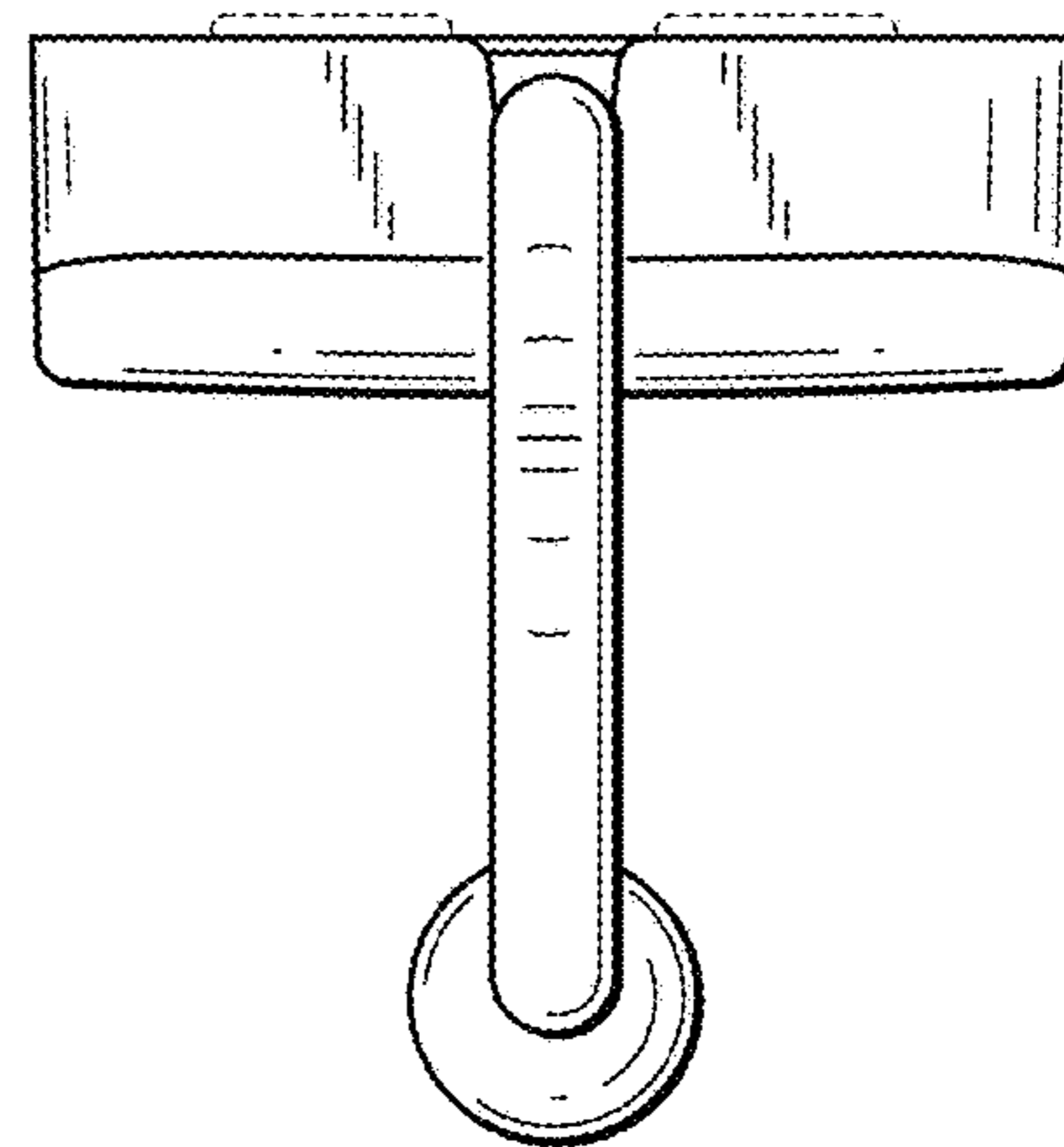


FIG. 6