



US00D801786S

(12) **United States Design Patent** (10) **Patent No.:** **US D801,786 S**
Pan et al. (45) **Date of Patent:** **** Nov. 7, 2017**

(54) **HOOK**
(71) Applicant: **3M INNOVATIVE PROPERTIES COMPANY**, St. Paul, MN (US)
(72) Inventors: **Angela L. Pan**, Arden Hills, MN (US); **Craig D. Thompson**, Inver Grove Heights, MN (US)
(73) Assignee: **3M INNOVATIVE PROPERTIES COMPANY**, St. Paul, MN (US)
(**) Term: **15 Years**
(21) Appl. No.: **29/547,497**
(22) Filed: **Dec. 4, 2015**
(51) **LOC (10) Cl.** **08-05**
(52) **U.S. Cl.**
USPC **D8/367**
(58) **Field of Classification Search**
USPC D8/367, 354, 349, 394
CPC F16L 3/13; F16L 3/26; A47G 23/0225;
A47G 25/06; A47G 1/16; A47F 5/0846;
A47F 5/02; H02G 11/003; D06F 55/00;
E04H 17/10
See application file for complete search history.

(56) **References Cited**

U.S. PATENT DOCUMENTS

D241,206 S * 8/1976 Halsted et al. D6/323
D289,139 S * 4/1987 Chasen D6/323
D289,255 S * 4/1987 Chasen D6/323
D307,539 S * 5/1990 Goodman D8/367
D312,384 S * 11/1990 Hamann 248/301
D312,385 S * 11/1990 Hamann D8/367
D312,959 S * 12/1990 Hamann 248/220.43
D339,058 S * 9/1993 Greenhut D8/367
D353,492 S * 12/1994 Goodman D6/323

5,372,346 A * 12/1994 Upchurch F16B 21/04
248/222.52
D361,930 S * 9/1995 Fillipp D8/367
D390,014 S * 2/1998 Ho D6/323
D393,412 S * 4/1998 Bries D8/367
D417,385 S * 12/1999 Bries D8/367
D428,802 S * 8/2000 Villano D20/43
D431,451 S * 10/2000 Kuo D8/367
D480,292 S * 10/2003 Johansson D8/367
D494,452 S * 8/2004 Sheldon D8/367
D505,545 S * 5/2005 Kay D3/228
D543,837 S * 6/2007 Newbould D8/367
D554,481 S * 11/2007 Newbould D8/367
D554,482 S * 11/2007 Hager D8/367
D558,034 S * 12/2007 Ernst D8/372
D565,939 S * 4/2008 Newbould D8/367
D579,322 S * 10/2008 Newbould D8/367
D583,653 S * 12/2008 Thompson D8/367
D591,143 S * 4/2009 Ernst D8/370
D603,688 S * 11/2009 Chiu D8/367
D609,995 S * 2/2010 Hager D8/367

(Continued)

Primary Examiner — Cynthia Underwood

(74) *Attorney, Agent, or Firm* — Irina Hass

(57) **CLAIM**

The ornamental design for a hook, as shown and described.

DESCRIPTION

FIG. 1 is a perspective view showing a new design for a hook;

FIG. 2 is a front view thereof;

FIG. 3 is a rear view thereof;

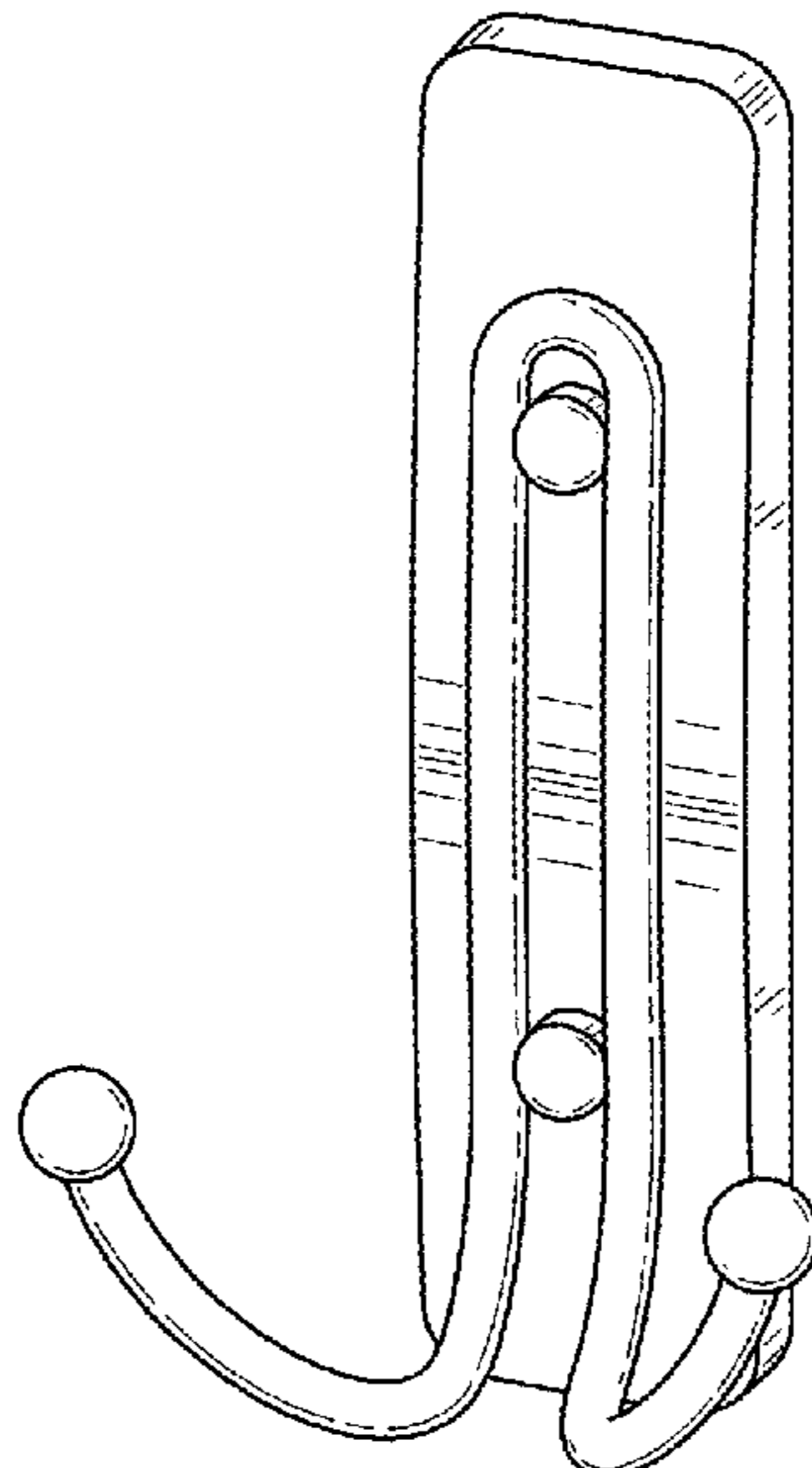
FIG. 4 is a right side view thereof, a left side view being a mirror image thereof;

FIG. 5 is a top view thereof; and,

FIG. 6 is a bottom view thereof.

The portions of the hook in FIG. 3 shown in broken lines are included to show features that form no part of the claimed design.

1 Claim, 2 Drawing Sheets



(56)

References Cited

U.S. PATENT DOCUMENTS

7,789,248 B1 * 9/2010 Salerno A47G 25/08
 211/106.01
 D627,995 S * 11/2010 Osterle D6/716
 D632,951 S * 2/2011 McGreevy D8/367
 D641,228 S * 7/2011 Qiblawi D8/367
 D641,229 S * 7/2011 Qiblawi D8/367
 7,972,100 B2 * 7/2011 Horvath F16B 13/002
 248/304
 8,002,225 B1 * 8/2011 Malone A47B 81/00
 211/118
 D665,653 S * 8/2012 Thompson D8/367
 D670,997 S * 11/2012 Thompson D8/367
 D678,041 S * 3/2013 Pan D8/367
 D680,804 S * 4/2013 Gilboe D7/367
 D697,387 S * 1/2014 Starck D8/367
 D697,388 S * 1/2014 Pan D8/367

D697,389 S * 1/2014 Pan D8/367
 D715,133 S * 10/2014 Pan D8/367
 D715,625 S * 10/2014 Pan D8/367
 D715,626 S * 10/2014 Pan D8/367
 D734,133 S * 7/2015 Spindler F21V 21/0808
 D8/367
 D746,664 S * 1/2016 Najieb D23/411
 D751,371 S * 3/2016 Pan D8/372
 D751,372 S * 3/2016 Thompson D8/372
 D756,205 S * 5/2016 New D8/367
 D756,755 S * 5/2016 Kuehn D8/367
 D756,756 S * 5/2016 Kuehn D8/367
 D759,469 S * 6/2016 Garland D8/367
 D760,068 S * 6/2016 Sehl D8/367
 D762,108 S * 7/2016 Knight D8/372
 D764,901 S * 8/2016 Esparza D8/367
 D781,683 S * 3/2017 Yi D8/354
 2006/0022105 A1 * 2/2006 MacKay F16B 45/00
 248/304

* cited by examiner

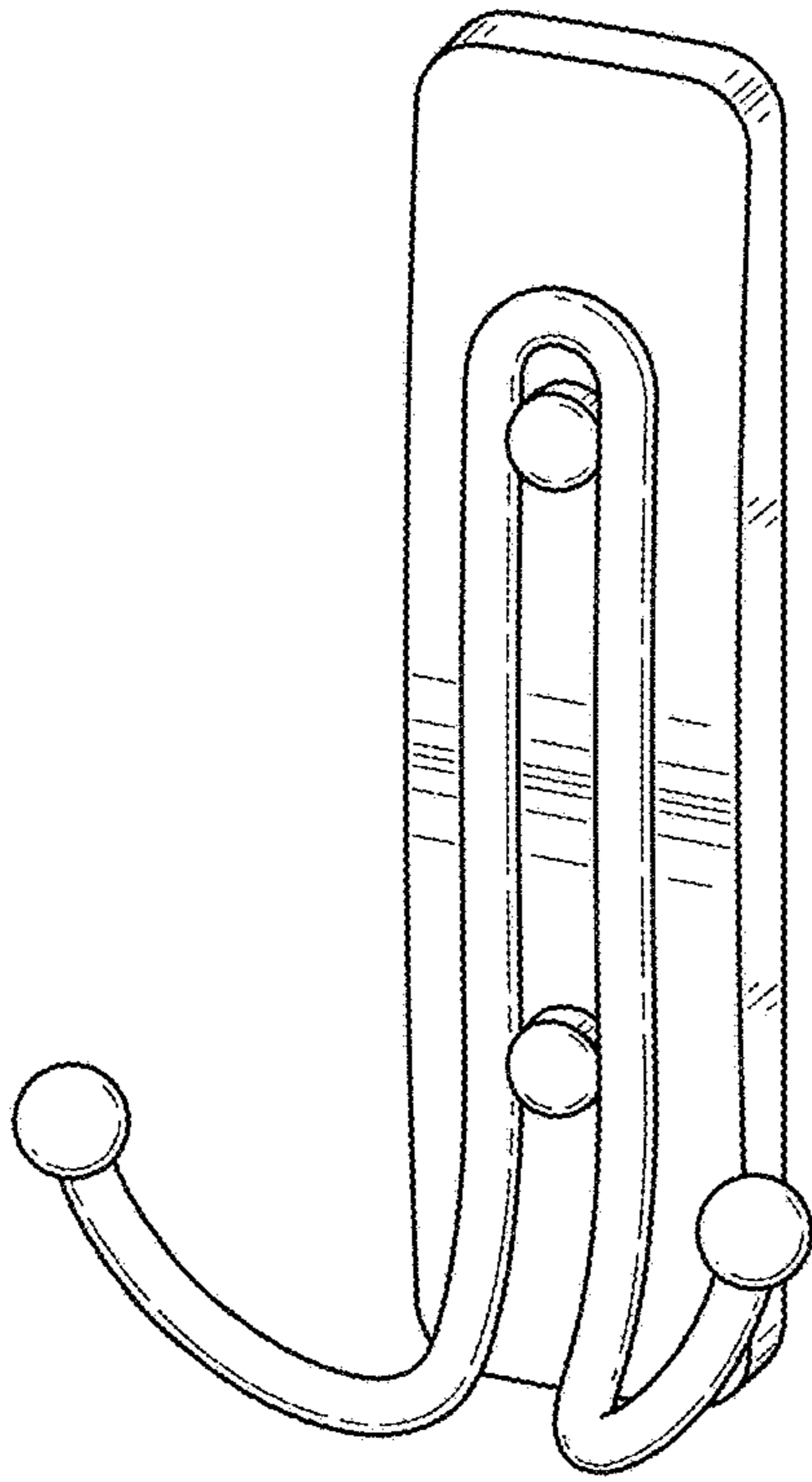


Fig. 1

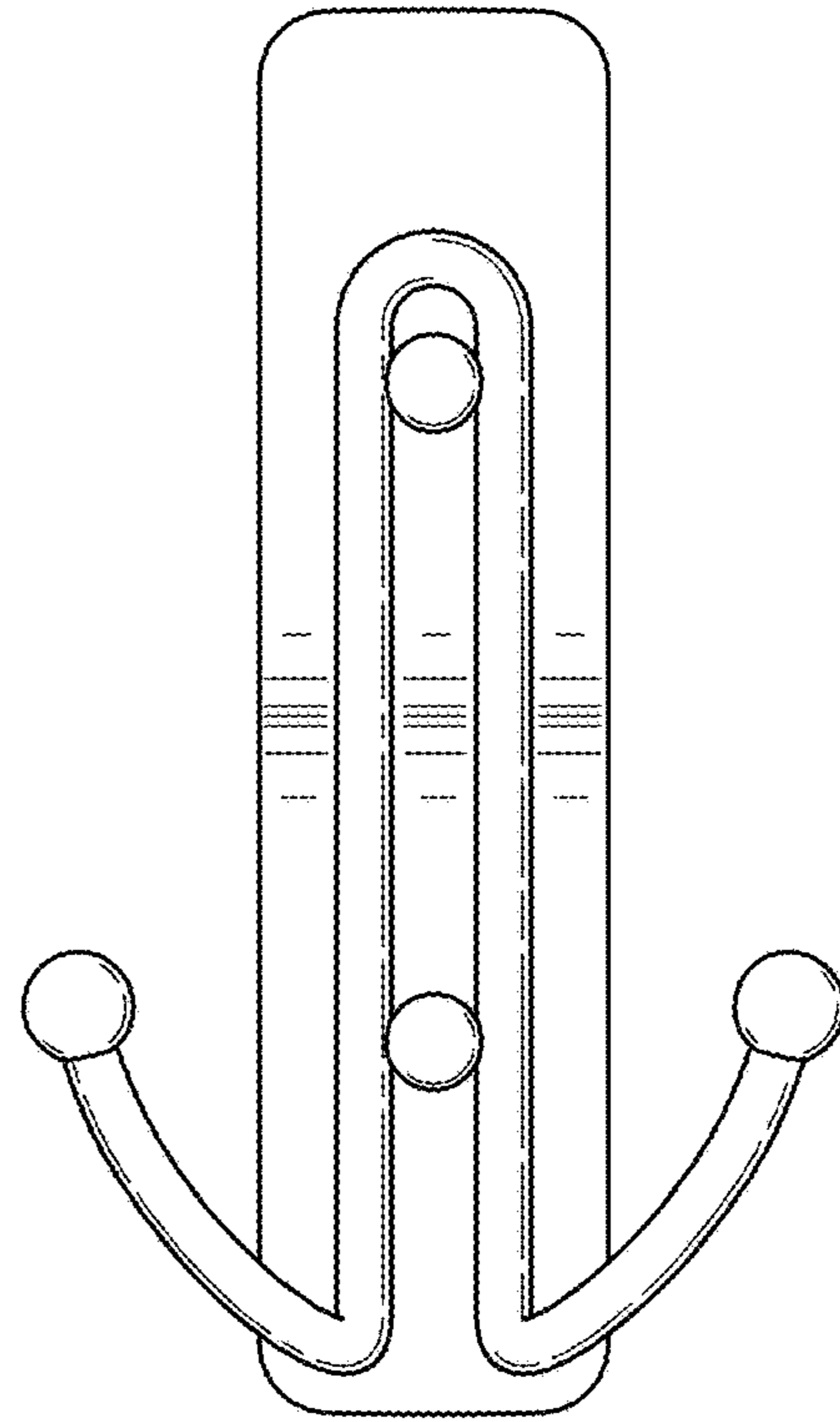


Fig. 2

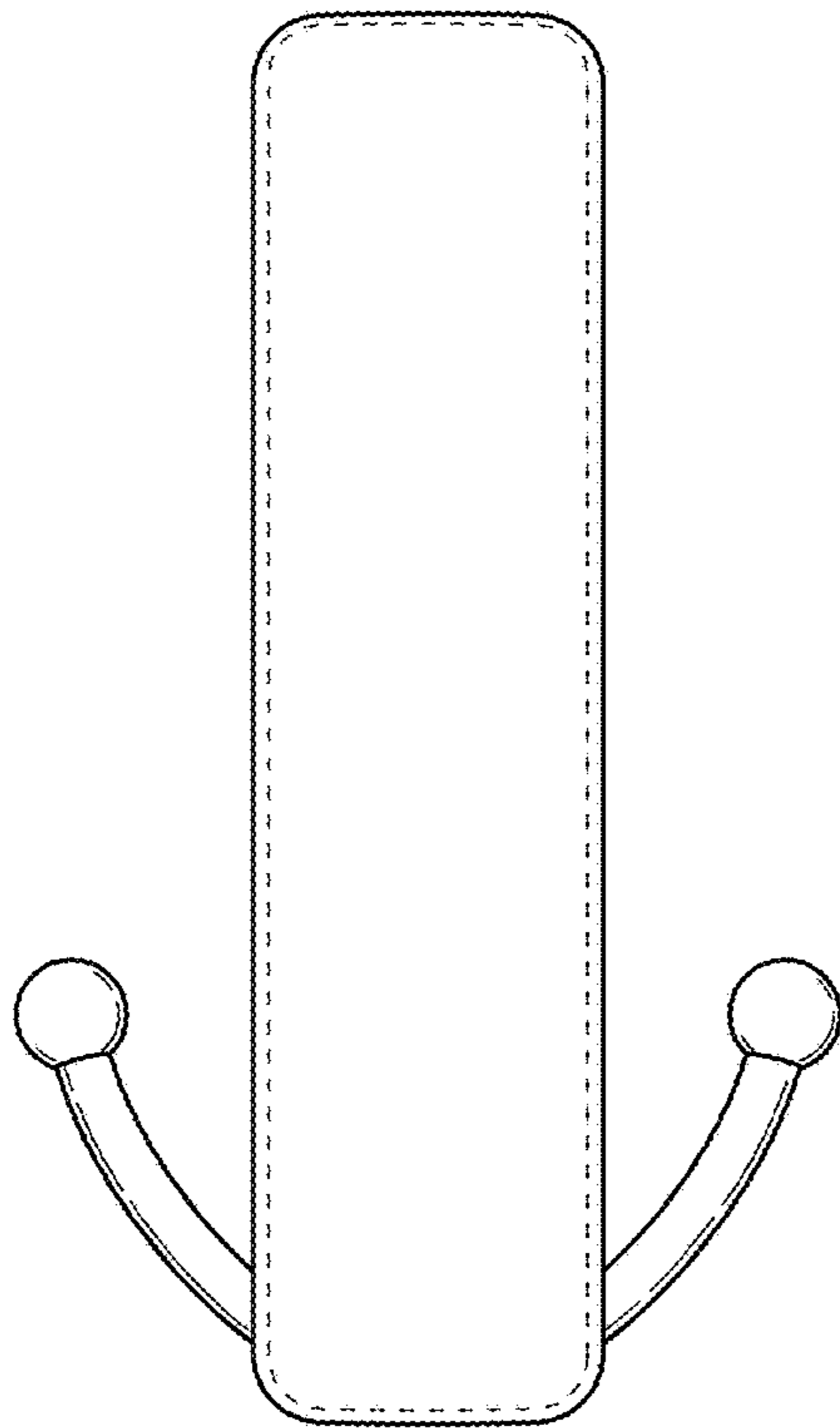


Fig. 3

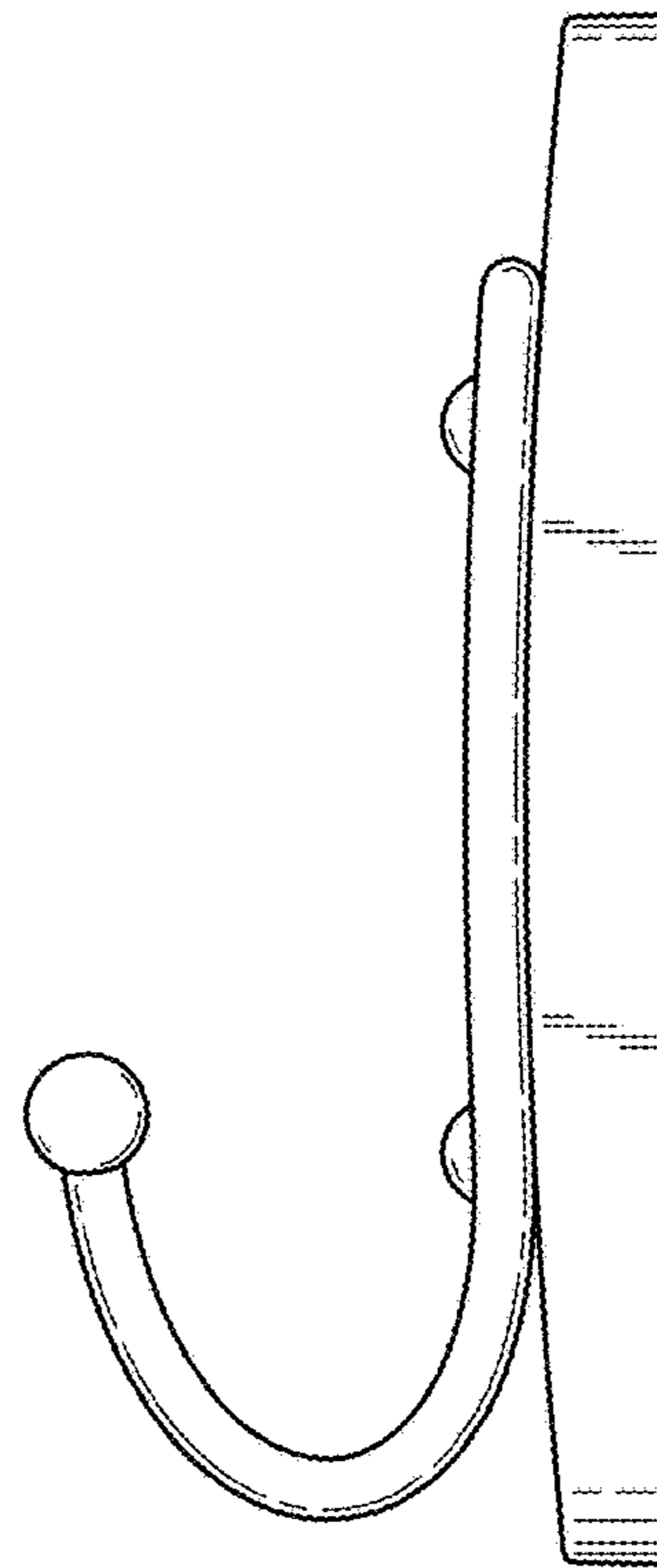


Fig. 4

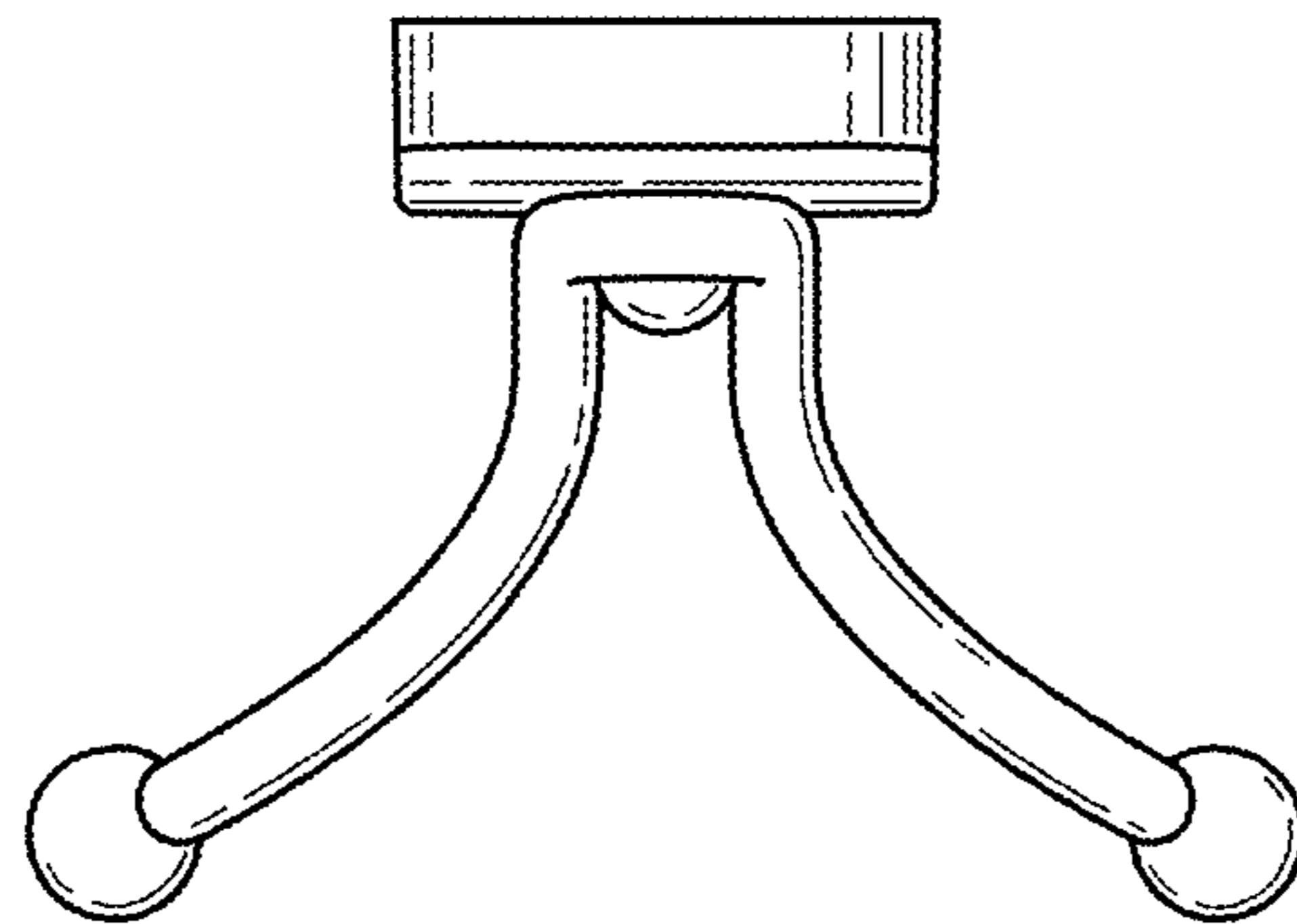


Fig. 5

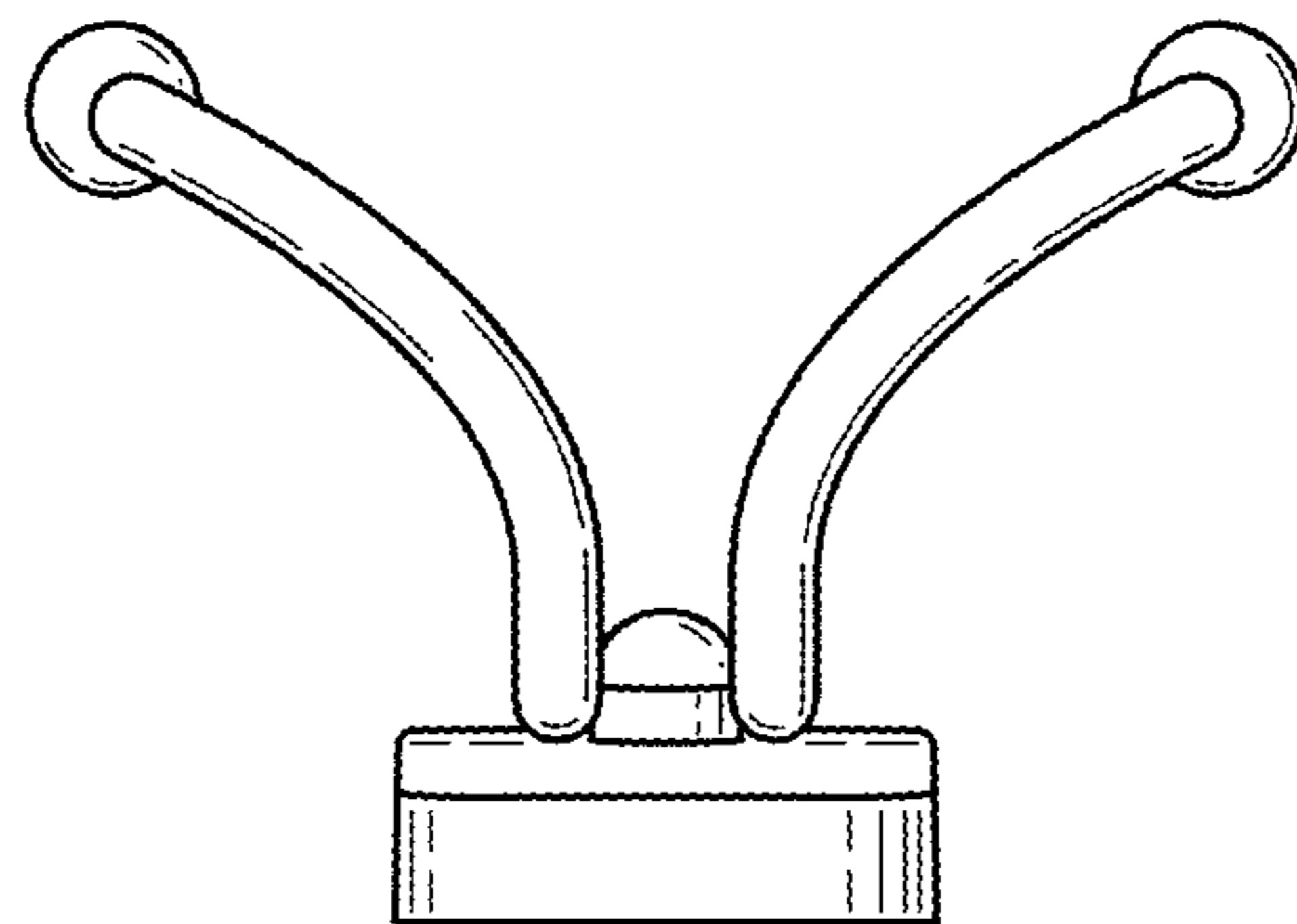


Fig. 6