

US00D801785S

(12) **United States Design Patent**
Thuma et al.

(10) **Patent No.:** **US D801,785 S**

(45) **Date of Patent:** **** Nov. 7, 2017**

- (54) **WALL MOUNTING HOSE REEL**
- (71) Applicant: **Suncast Technologies, LLC**, Palm Beach Gardens, FL (US)
- (72) Inventors: **Michael Thuma**, La Grange, IL (US); **Torrence Anderson**, Overland Park, KS (US); **Michael R. Vogler**, Oswego, IL (US)
- (73) Assignee: **Suncast Technologies, LLC**, Palm Beach Gardens, FL (US)

D200,723 S *	3/1965	Van Lew	D8/358
D315,492 S *	3/1991	Prihoda	D8/358
D437,545 S *	2/2001	Bohrer	D8/359
D447,405 S *	9/2001	Diener	D8/358
D626,818 S *	11/2010	Tracey	D8/358
D664,026 S *	7/2012	Zalzalah	D8/359

* cited by examiner

Primary Examiner — Robert M Spear

Assistant Examiner — Eliza Bennett-Hattan

(74) *Attorney, Agent, or Firm* — McHale & Slavin, P.A.

(**) Term: **15 Years**

(21) Appl. No.: **29/566,790**

(22) Filed: **Jun. 2, 2016**

(51) **LOC (10) Cl.** **08-05**

(52) **U.S. Cl.**
USPC **D8/358**

(58) **Field of Classification Search**
USPC D8/74, 347, 373, 375, 380, 381, 396,
D8/356, 359, 358, 360.1; D6/306, 309,
D6/677
CPC . B65H 75/40; B65H 75/4407; B65H 75/4471
See application file for complete search history.

(56) **References Cited**

U.S. PATENT DOCUMENTS

D32,337 S *	3/1900	Cliff	D8/358
D200,329 S *	2/1965	Busch	D8/358

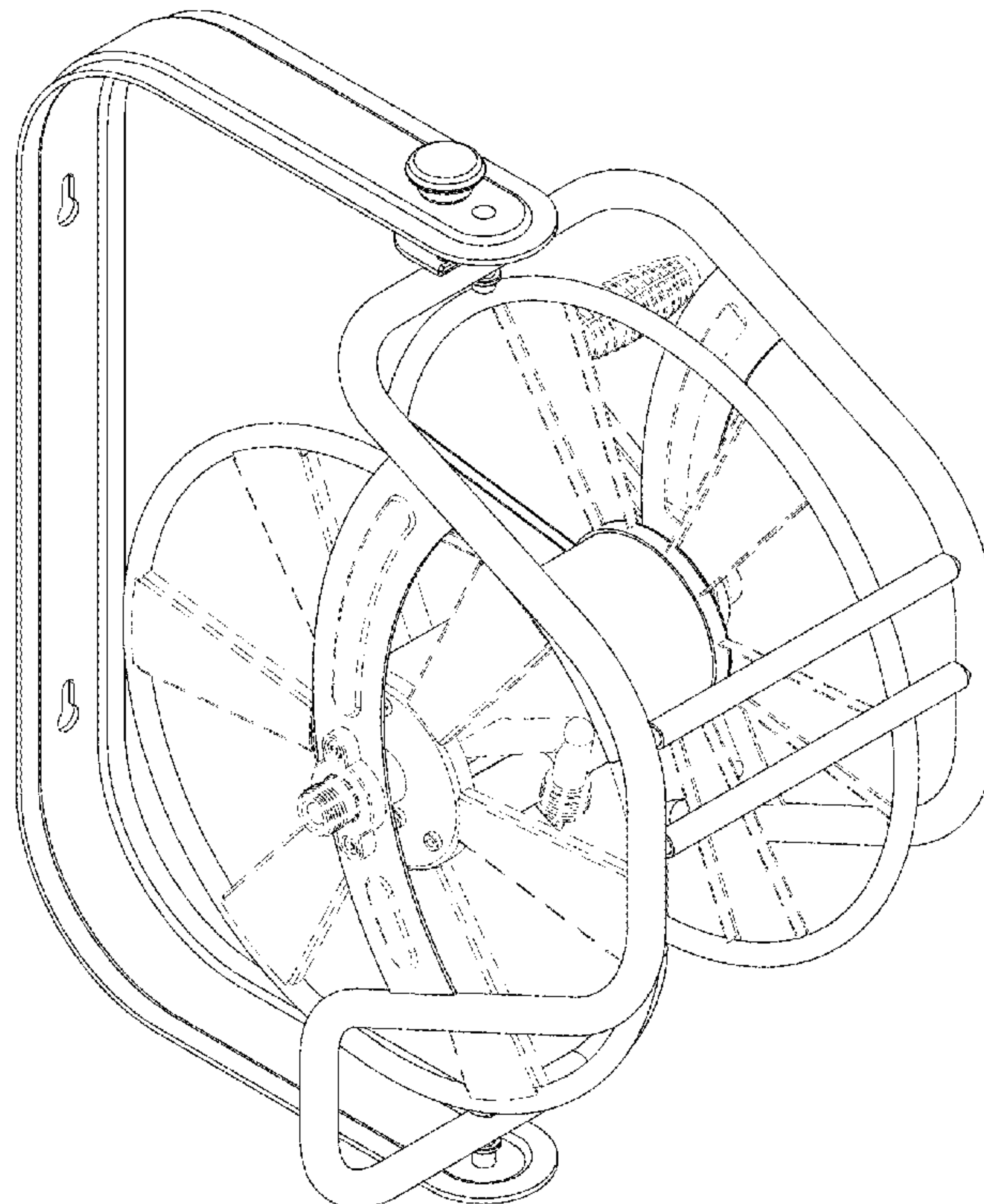
(57) **CLAIM**

The ornamental design for a wall mounting hose reel, as shown and described.

DESCRIPTION

FIG. 1 is a top left perspective view of the wall mounting hose reel of the present invention; FIG. 2 is a left side view thereof; FIG. 3 is a right side view thereof; FIG. 4 is a front view thereof; FIG. 5 is a top view thereof; FIG. 6 is a rear view thereof; FIG. 7 is a top right perspective view thereof; and, FIG. 8 is a rear left perspective view thereof. The portions of the wall mounting hose reel illustrated in broken lines form no part of the claimed subject matter.

1 Claim, 8 Drawing Sheets



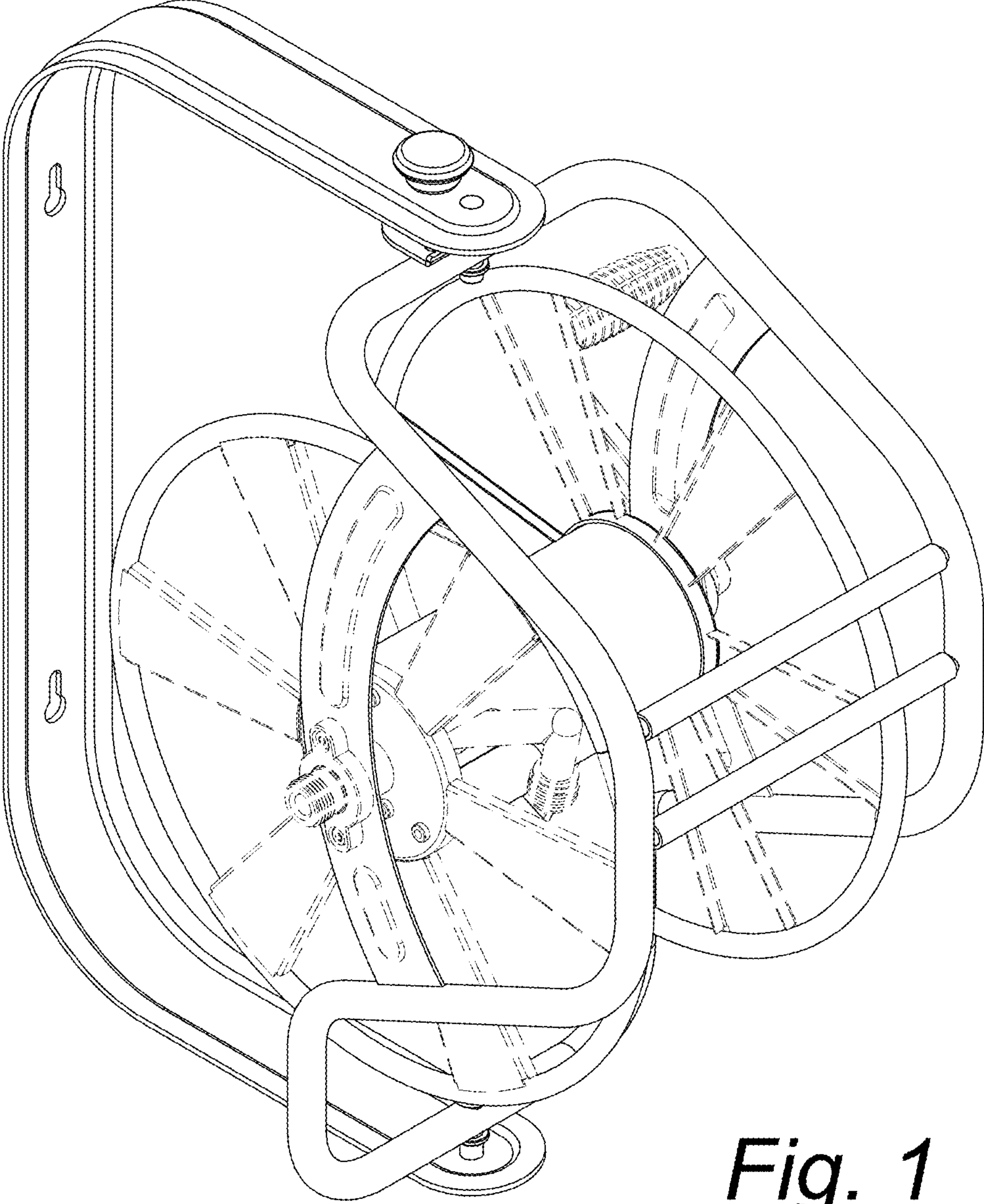


Fig. 1

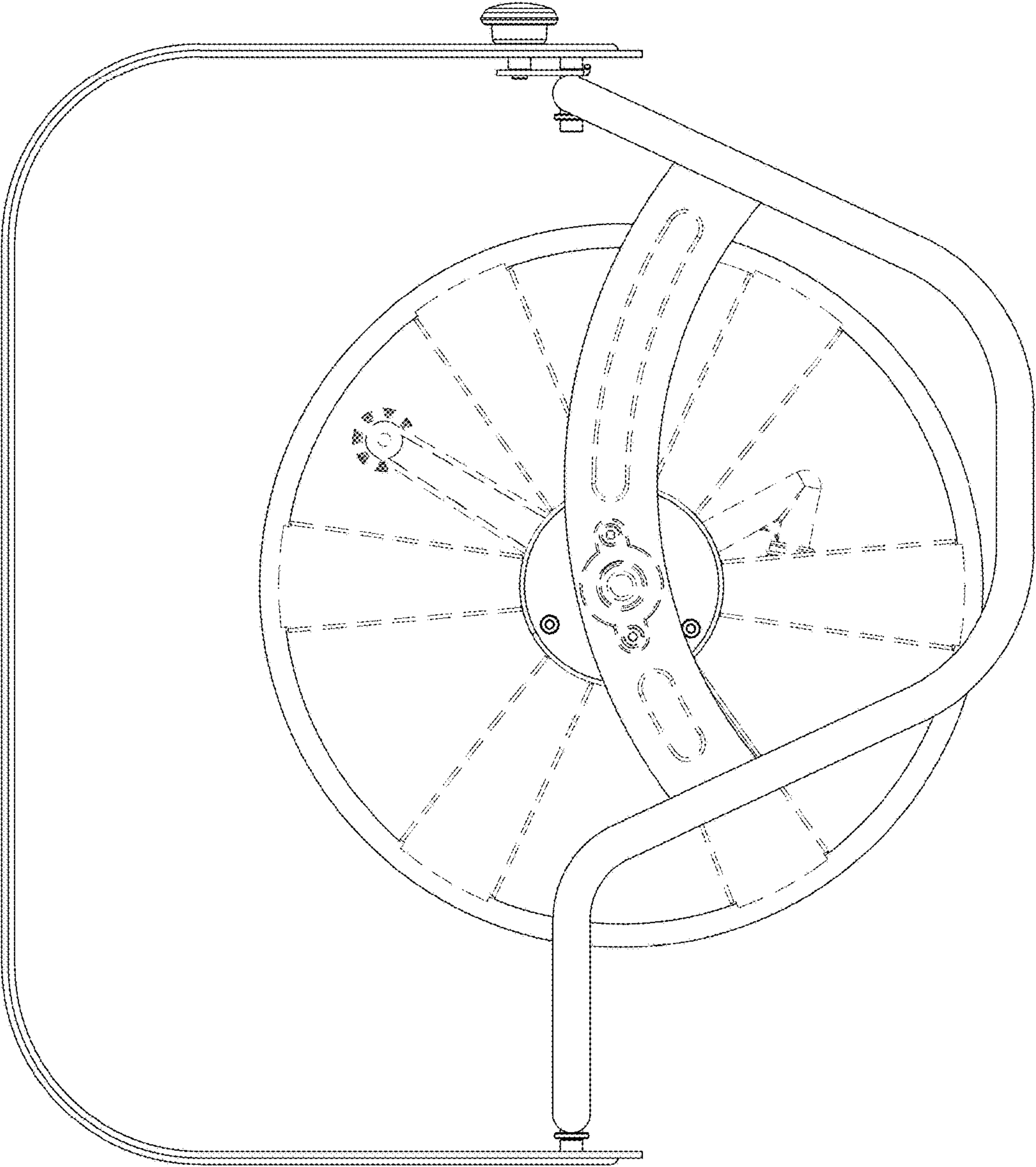


Fig. 2

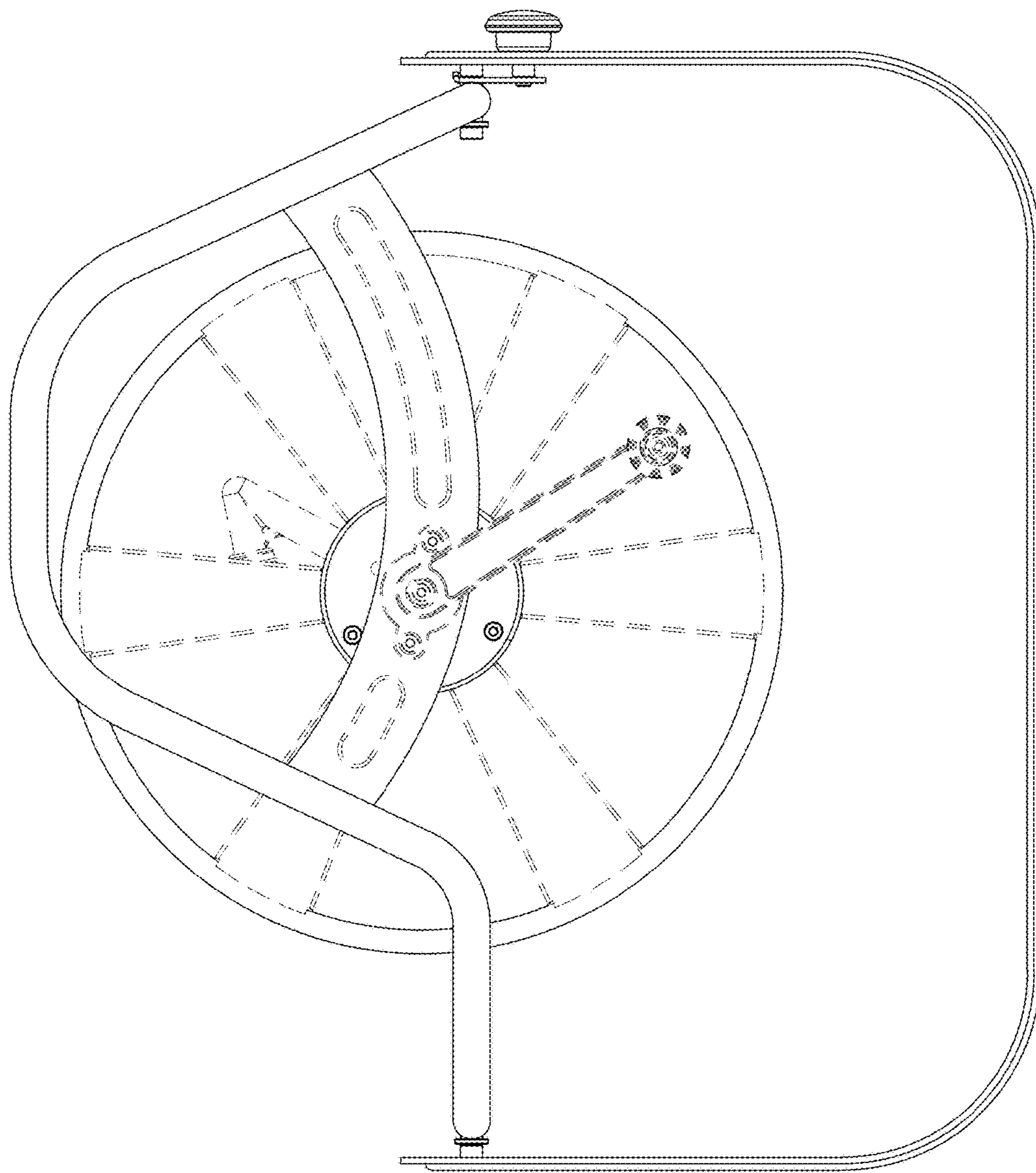


Fig. 3

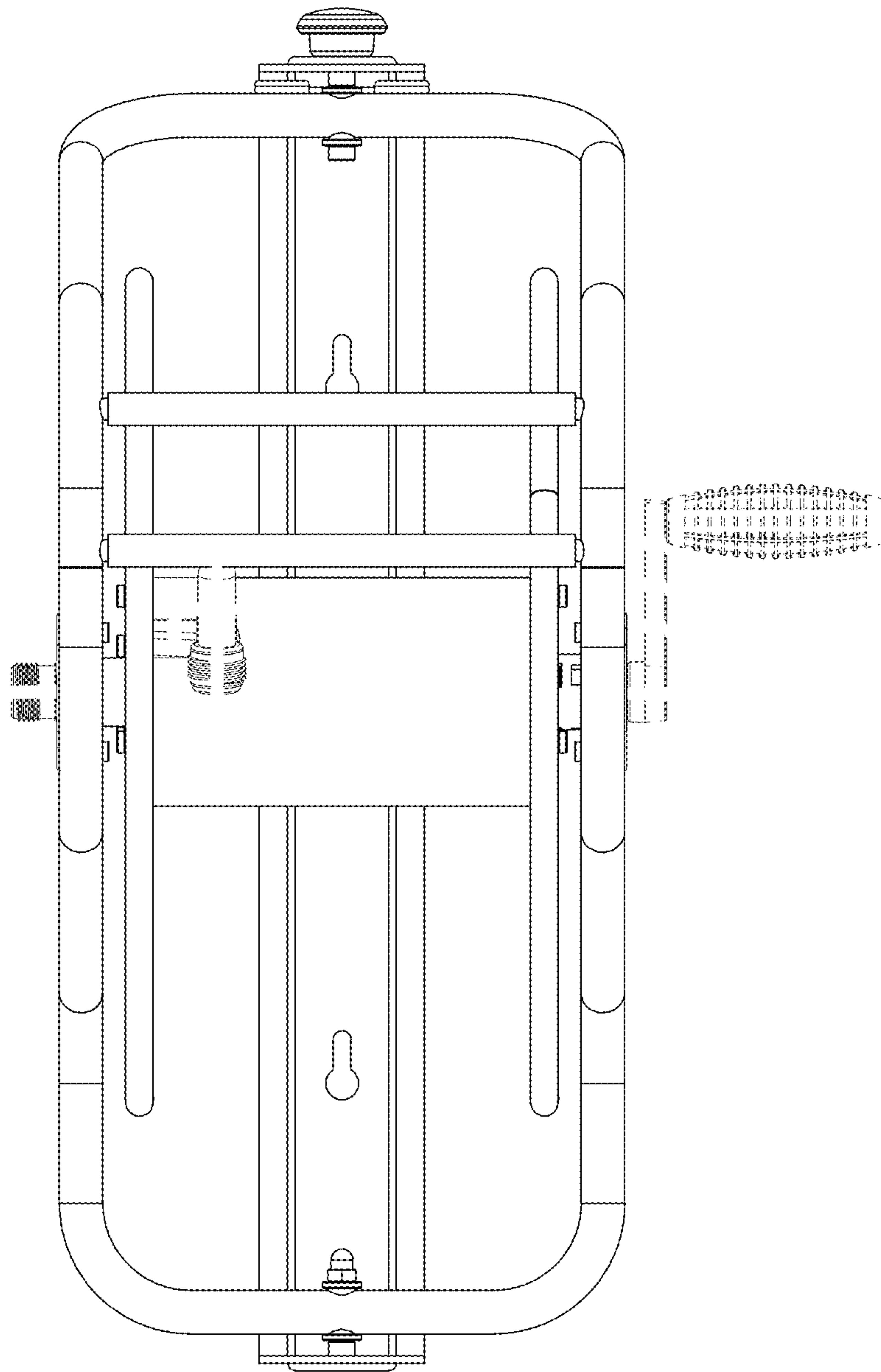


Fig. 4

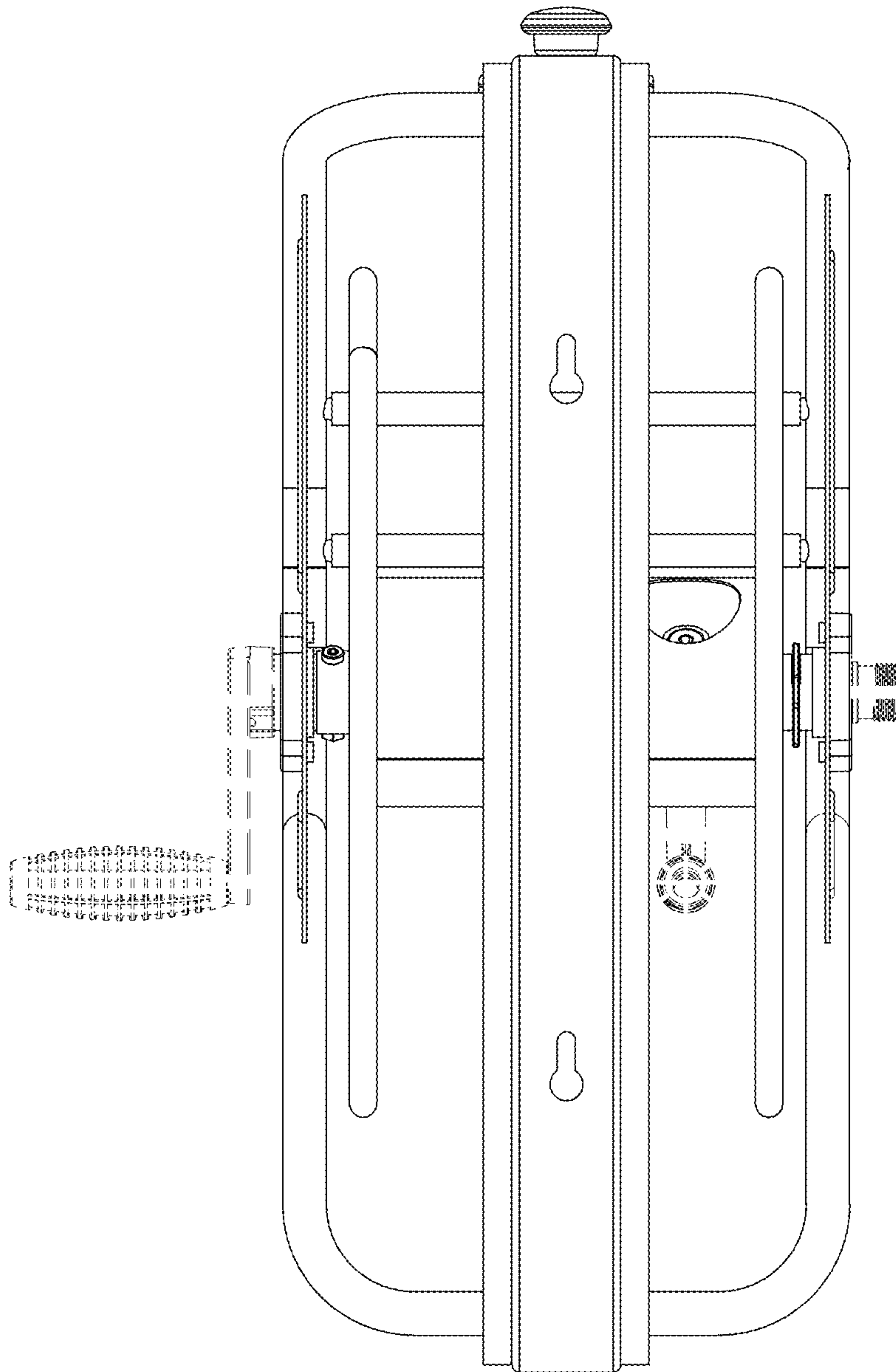


Fig. 5

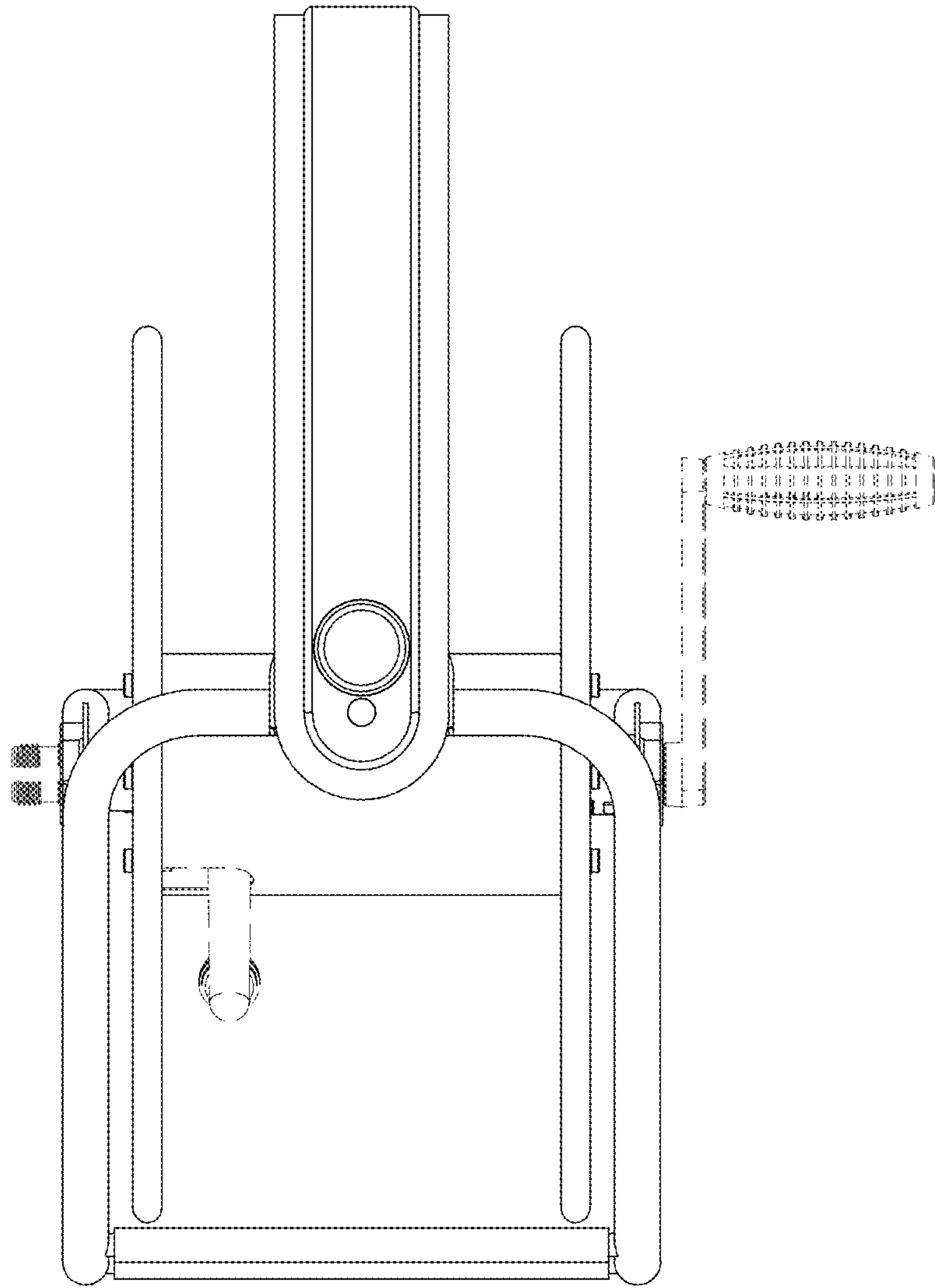


Fig. 6

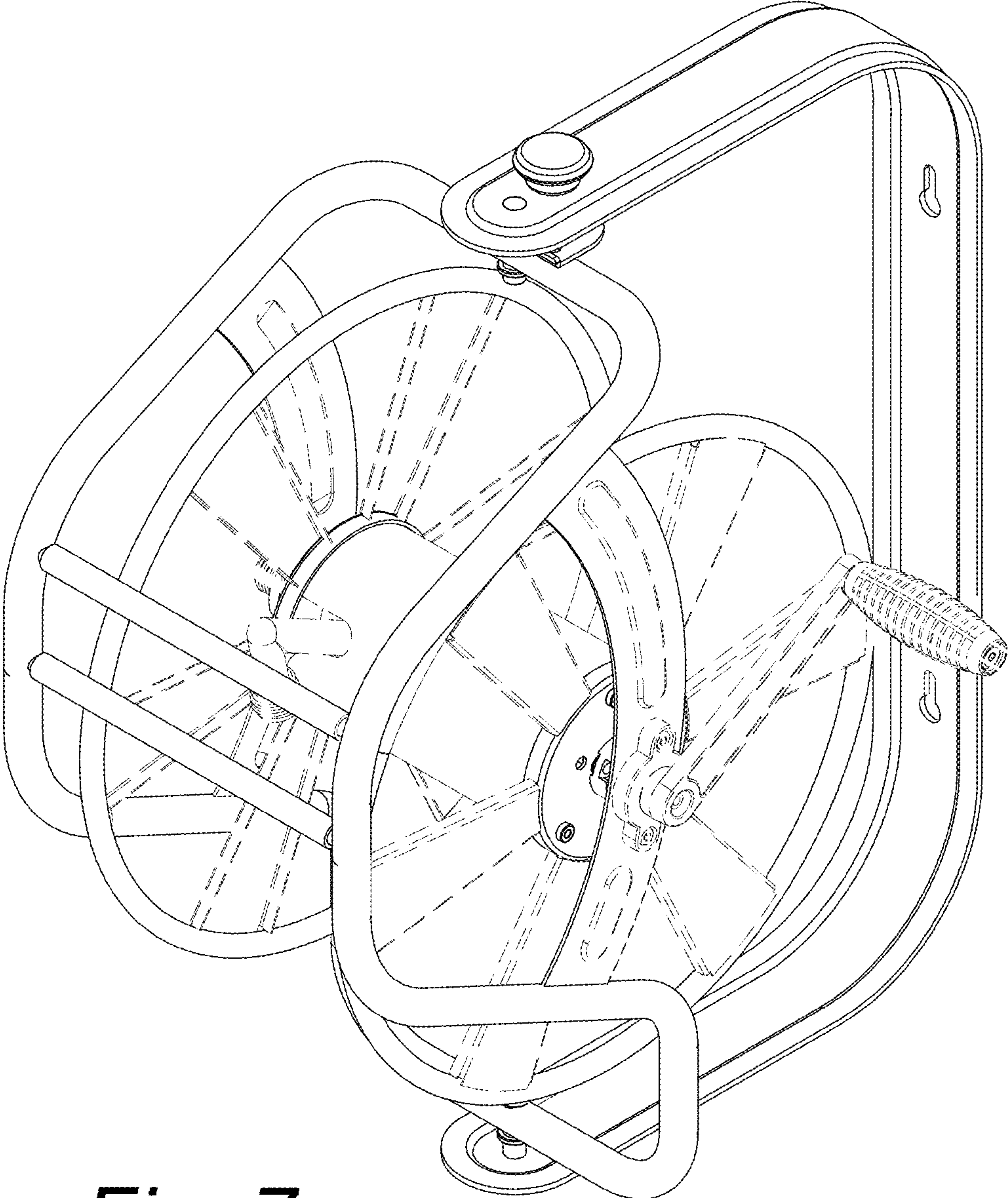


Fig. 7

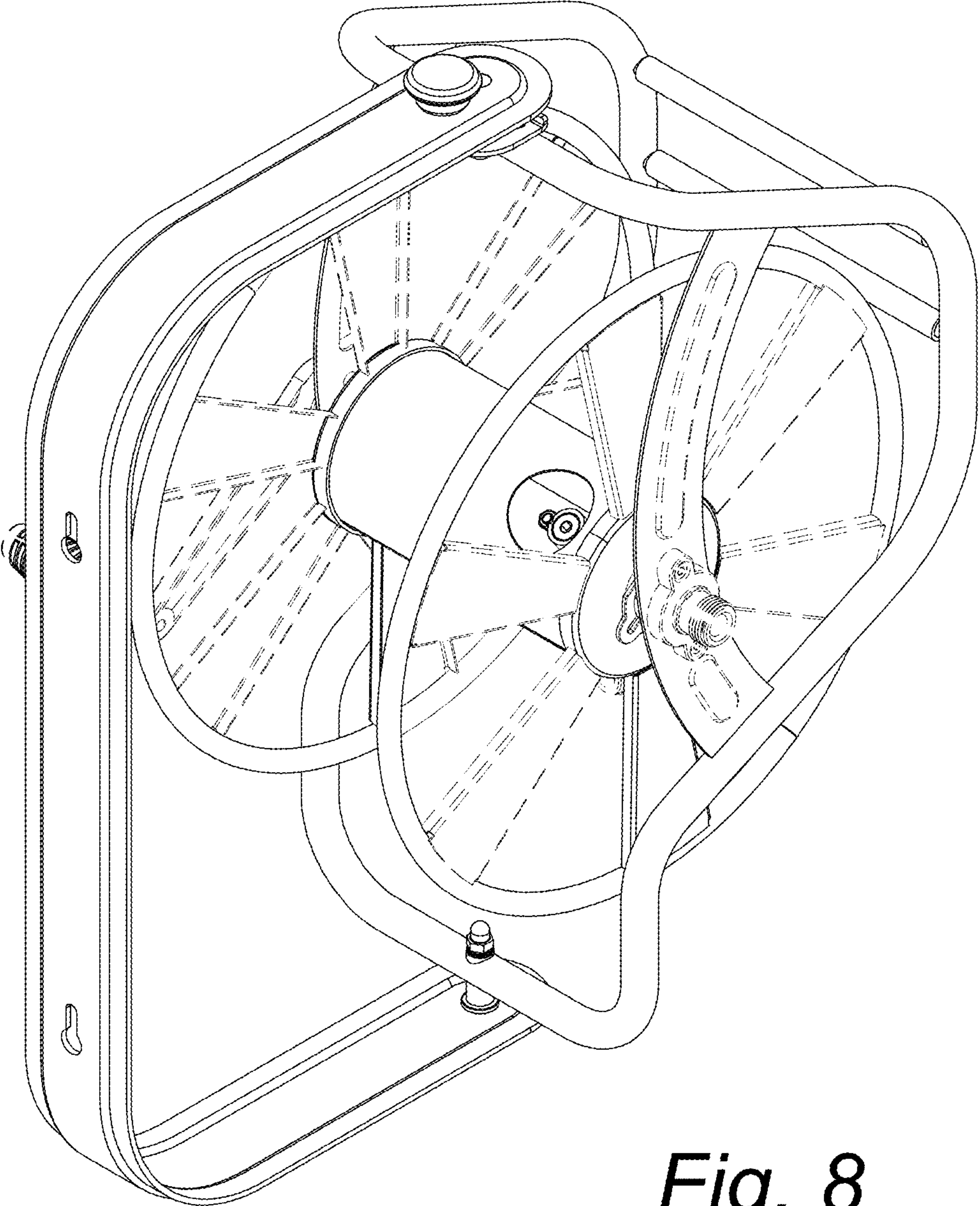


Fig. 8