



US00D801783S

(12) **United States Design Patent** (10) **Patent No.:** **US D801,783 S**  
**Riner** (45) **Date of Patent:** **\*\* Nov. 7, 2017**

(54) **CABLE HARNESS BRACKET**  
(71) Applicant: **Group Dekko Inc.**, Garrett, IN (US)  
(72) Inventor: **Raymond H. Riner**, Fort Wayne, IN (US)  
(73) Assignee: **Group Dekko Inc.**, Garrett, IN (US)  
(\*\*) Term: **15 Years**  
(21) Appl. No.: **29/584,999**  
(22) Filed: **Nov. 18, 2016**  
(51) **LOC (10) Cl.** ..... **09-06**  
(52) **U.S. Cl.**  
USPC ..... **D8/356**  
(58) **Field of Classification Search**  
USPC ..... D8/356, 354, 349  
CPC ..... B65H 57/16; E02D 5/803; B63B 21/045;  
B63B 59/02; B60D 1/18; B60P 1/103;  
Y10T 24/3918; A62B 35/0081  
See application file for complete search history.

D688,976 S \* 9/2013 Dunn ..... D11/184  
D737,665 S \* 9/2015 Kwakkel ..... D8/356  
D757,522 S \* 5/2016 Kim ..... D8/356  
D766,705 S \* 9/2016 Duarte ..... D8/356  
D784,117 S \* 4/2017 Ferber ..... D8/356  
D788,254 S \* 5/2017 Baehler ..... D11/200  
2017/0250762 A1 \* 8/2017 Kumar ..... H04B 17/16

\* cited by examiner

*Primary Examiner* — Cynthia Underwood  
(74) *Attorney, Agent, or Firm* — Taylor IP, P.C.

(57) **CLAIM**

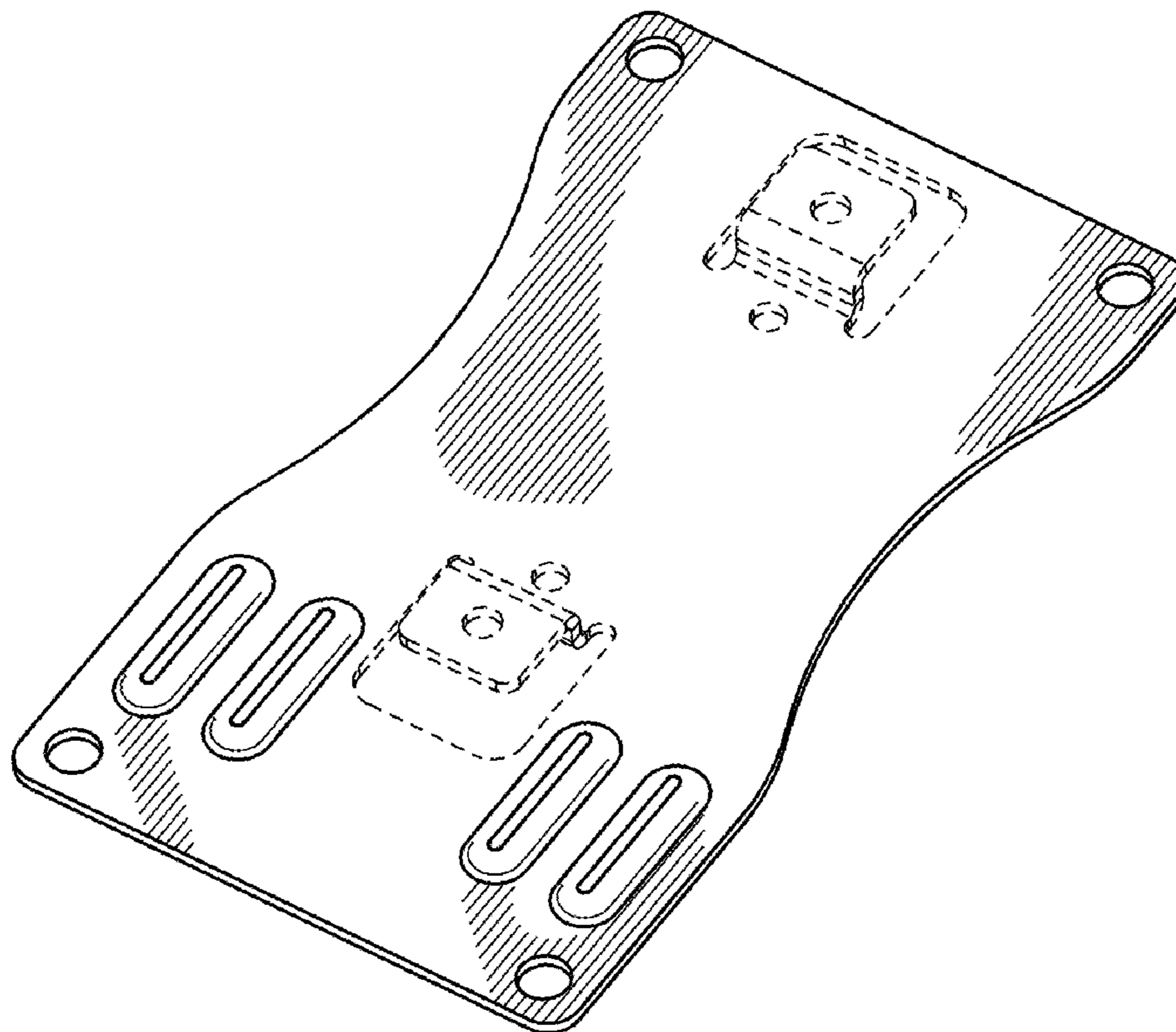
The ornamental design for a cable harness bracket, as shown and described.

**DESCRIPTION**

FIG. 1 is a perspective view of a cable harness bracket showing my new design; FIG. 2 is a top view thereof; FIG. 3 is a side view thereof; FIG. 4 is a front view thereof; and, FIG. 5 is a bottom view thereof. In the drawings, the broken lines are for the purpose of illustrating environment only and form no part of the claimed design.

**1 Claim, 2 Drawing Sheets**

(56) **References Cited**  
U.S. PATENT DOCUMENTS  
D625,581 S \* 10/2010 Crostic, Jr. .... D8/356  
D670,598 S \* 11/2012 Dunn ..... D11/184



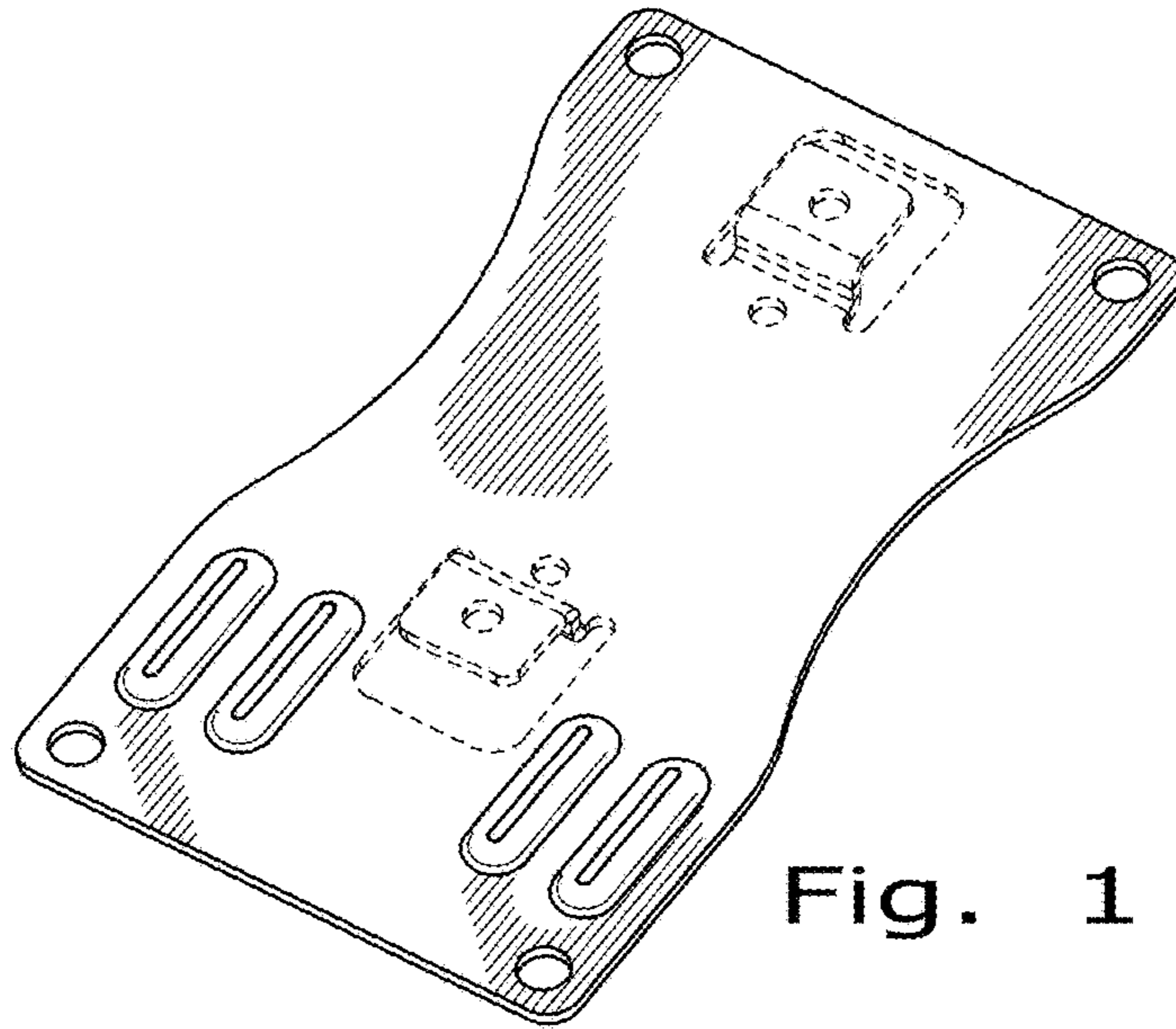


Fig. 1

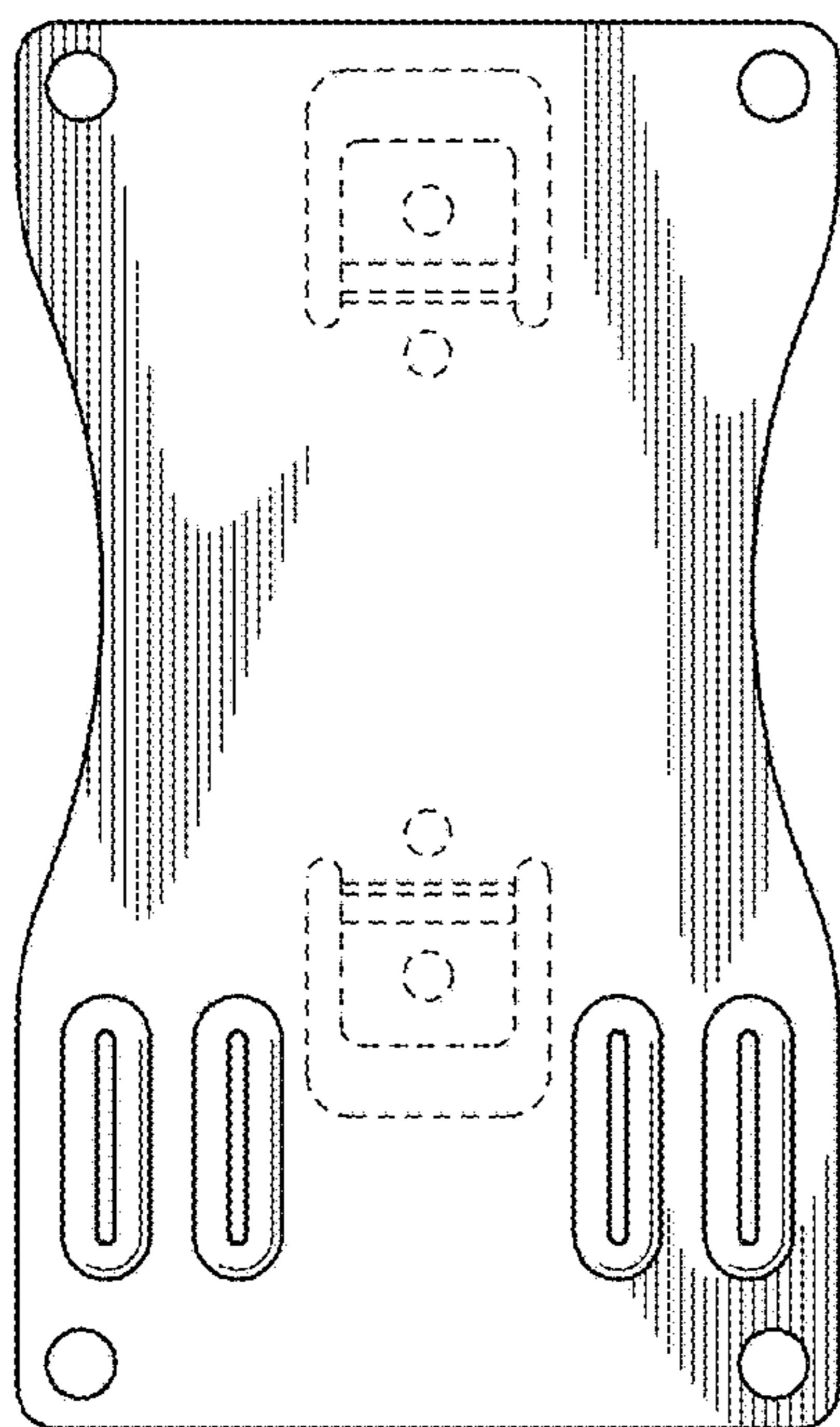


Fig. 2



Fig. 3

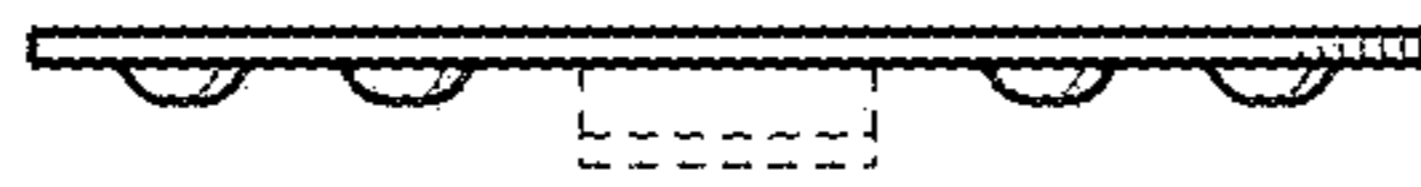


Fig. 4

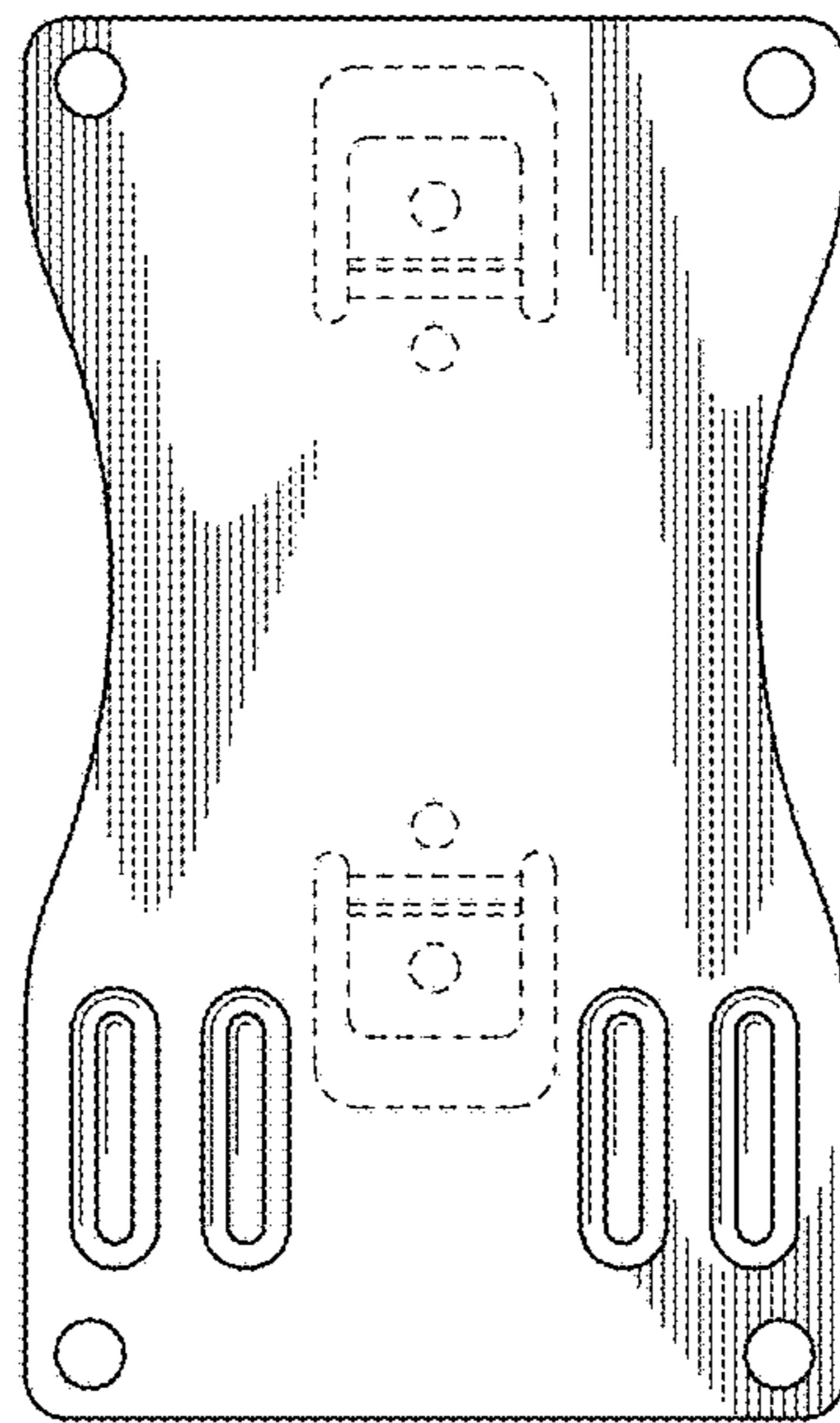


Fig. 5