



US00D801781S

(12) **United States Design Patent** (10) **Patent No.:** **US D801,781 S**
Schuit et al. (45) **Date of Patent:** **** Nov. 7, 2017**

- (54) **MODULE-LEVEL POWER ELECTRONICS MOUNTING PLATE**
- (71) Applicant: **Unirac Inc.**, Albuquerque, NM (US)
- (72) Inventors: **Nathan Schuit**, Edgewood, NM (US);
Jason Mayfield, Albuquerque, NM (US)
- (73) Assignee: **Unirac Inc.**, Albuquerque, NM (US)
- (**) Term: **15 Years**
- (21) Appl. No.: **29/571,274**
- (22) Filed: **Jul. 15, 2016**
- (51) **LOC (10) Cl.** **08-05**
- (52) **U.S. Cl.**
USPC **D8/354**
- (58) **Field of Classification Search**
USPC D8/323, 325, 349, 354, 366, 373, 400;
248/205.1, 207, 213.1, 247, 248, 309.1;
D12/223
CPC F16M 13/02
See application file for complete search history.

D608,183 S *	1/2010	Meyer	D8/354
D649,863 S *	12/2011	Meyer	D8/354
D653,524 S *	2/2012	Meyer	D6/567
D673,114 S	12/2012	Schnakenberg, III et al.		
8,371,543 B2 *	2/2013	Schneider	F16M 13/02 248/224.8
8,929,094 B2	1/2015	Marroquin et al.		
9,068,764 B2	6/2015	Moore et al.		
D734,653 S	7/2015	Martin et al.		
D736,595 S	8/2015	Moore et al.		
2003/0038222 A1 *	2/2003	Holmes	A47G 1/1606 248/475.1

* cited by examiner

Primary Examiner — Lakiya Rogers
Assistant Examiner — Harold E Blackwell, II
(74) *Attorney, Agent, or Firm* — Crowell & Moring LLP

(57) **CLAIM**

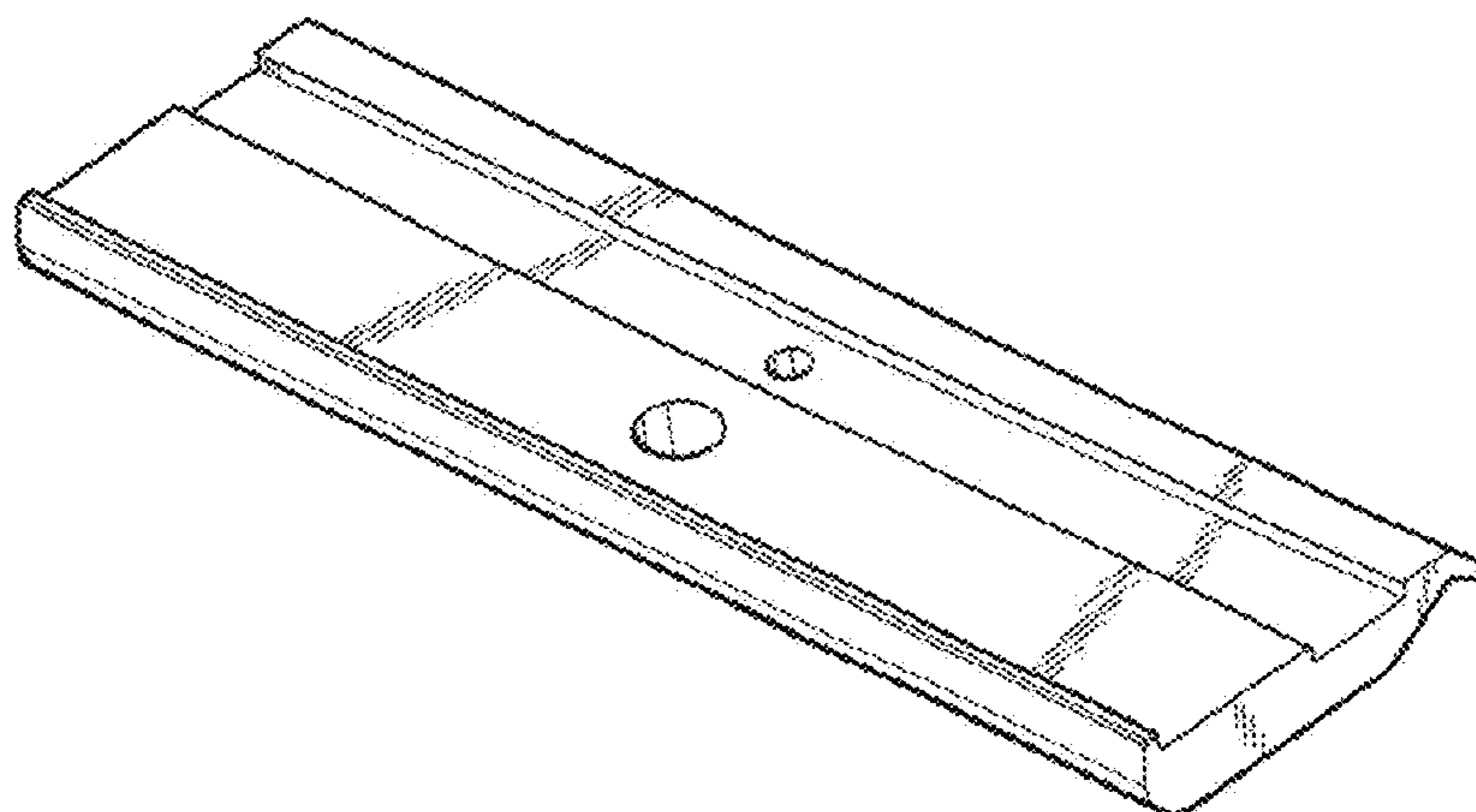
The ornamental design for a module-level power electronics mounting plate, as shown and described.

DESCRIPTION

FIG. 1 is a top perspective view of a module-level power electronics mounting plate according to the design; FIG. 2 is a bottom perspective view thereof; FIG. 3 is a top plan view thereof; FIG. 4 is a bottom plan view thereof; FIG. 5 is a front elevational view thereof; FIG. 6 is a rear elevational view thereof; FIG. 7 is a side elevational view thereof, the opposite side elevational view being a mirror image; and, FIG. 8 is a side elevational view thereof, showing a possible environment of the design. The broken lines in the drawings illustrate the environment of the module-level power electronics mounting plate which form no part of the claimed design.

1 Claim, 5 Drawing Sheets

- (56) **References Cited**
U.S. PATENT DOCUMENTS
- 2,745,175 A * 5/1956 Purdy B26B 21/42
30/31
- 2,837,820 A * 6/1958 Ostrowski B26B 21/16
30/34.2
- 3,071,857 A * 1/1963 Preis B26B 21/24
30/346.61
- D235,308 S * 6/1975 Clarke 248/494
- 4,679,324 A * 7/1987 Kirk B26B 21/4068
30/346.58
- D306,133 S * 2/1990 Zupancic D8/354
- D398,835 S * 9/1998 Coll D8/354
- 6,047,936 A * 4/2000 Favotto H01F 27/06
248/309.1
- D541,623 S * 5/2007 Hord D8/323
- D583,221 S * 12/2008 Johnsen D8/354



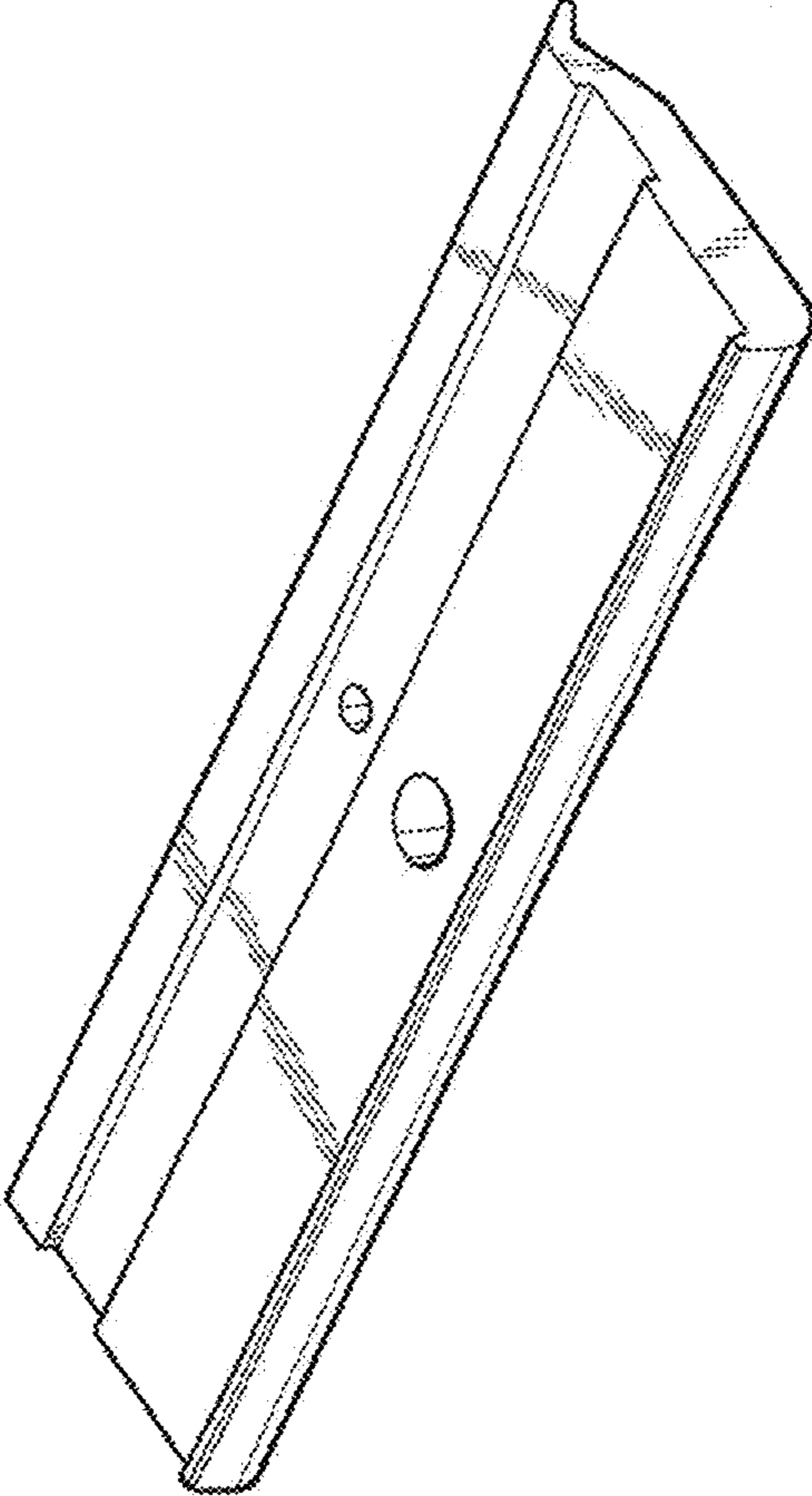


FIG. 1

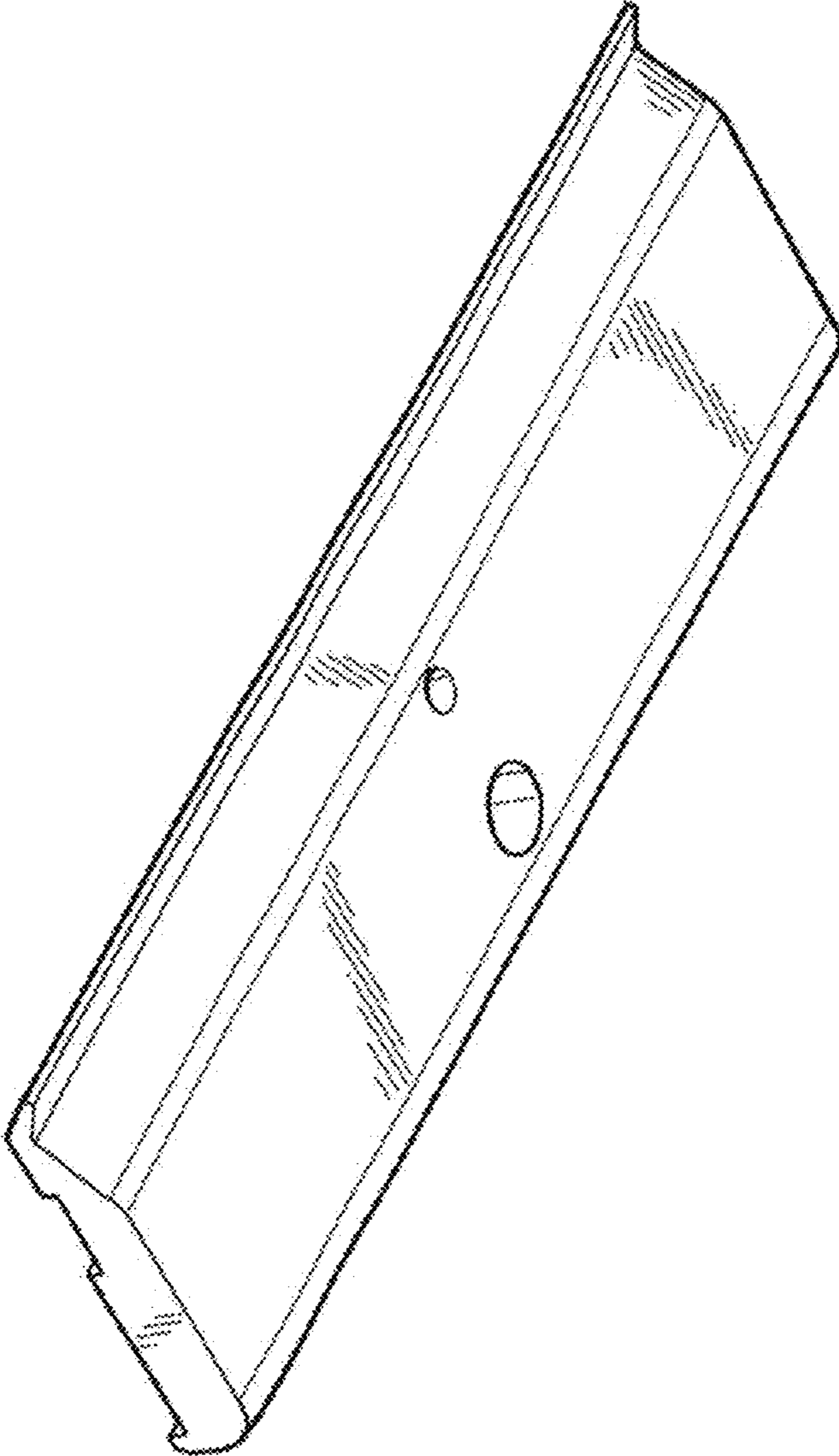


FIG. 2

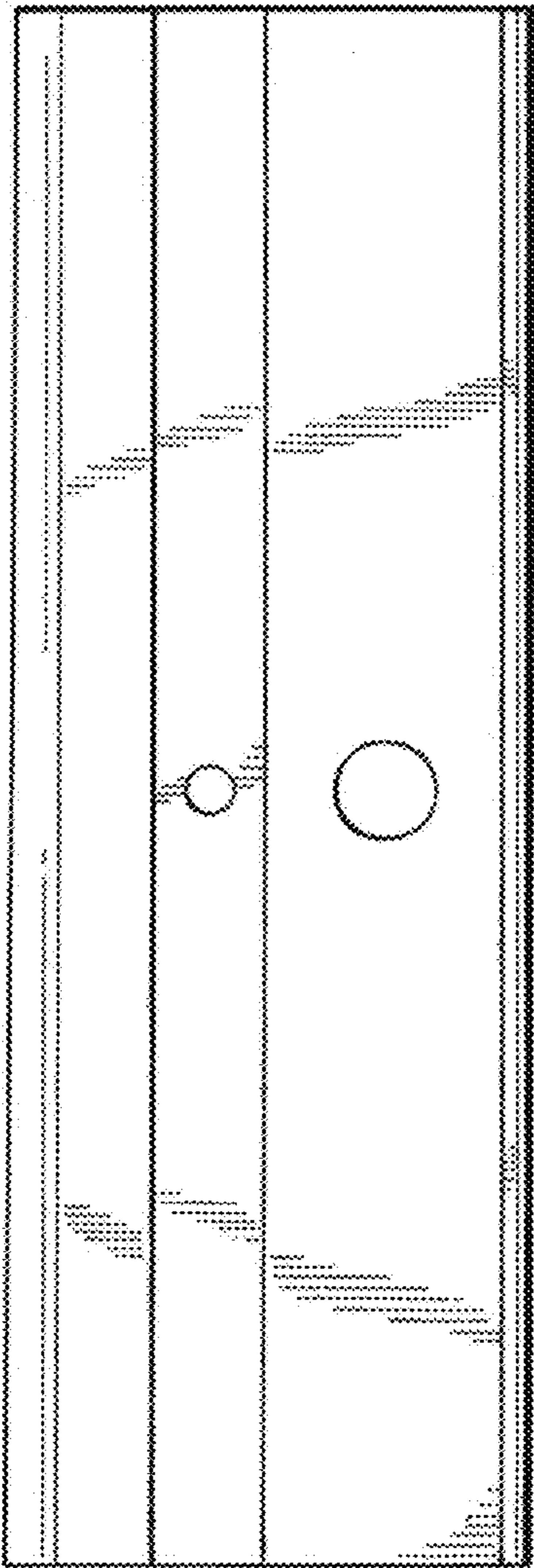


FIG. 3

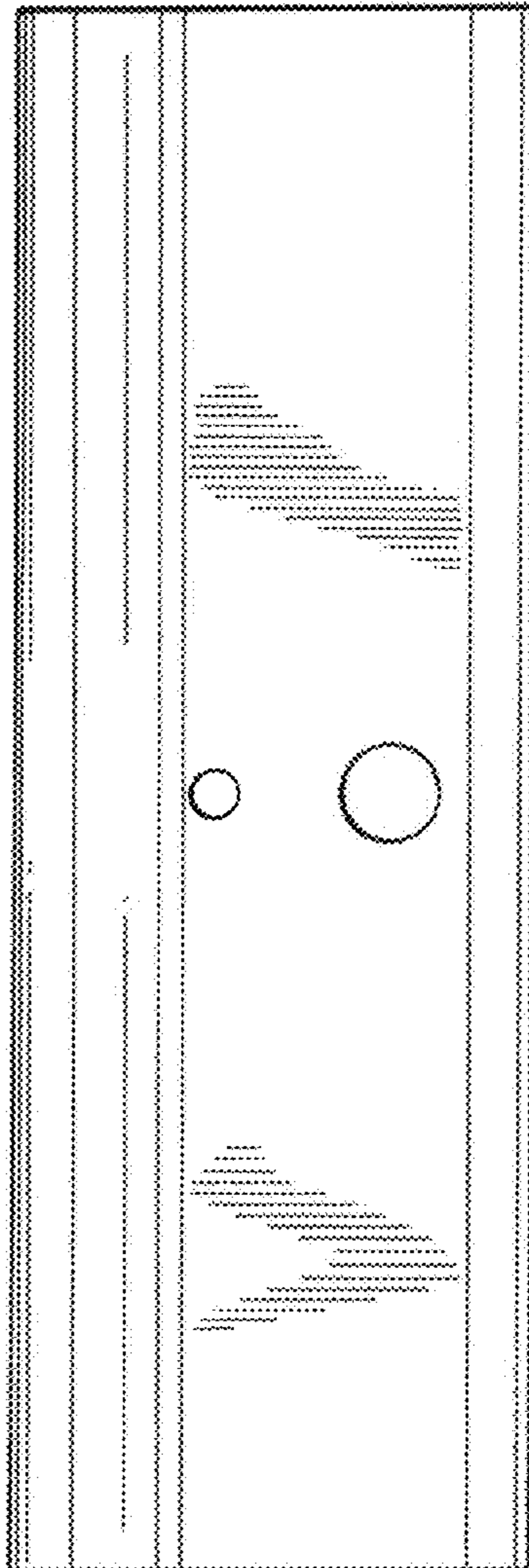


FIG. 4

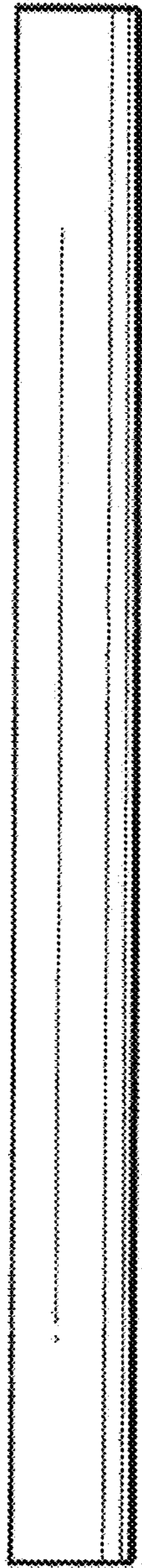


FIG. 5

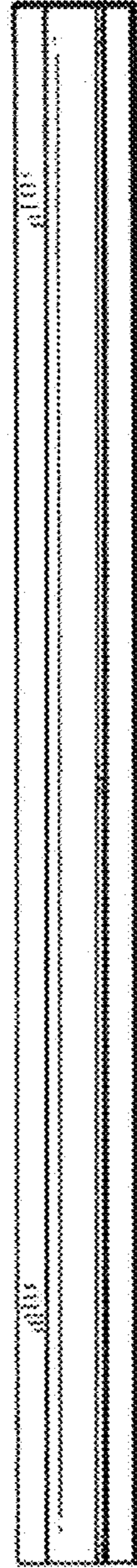


FIG. 6

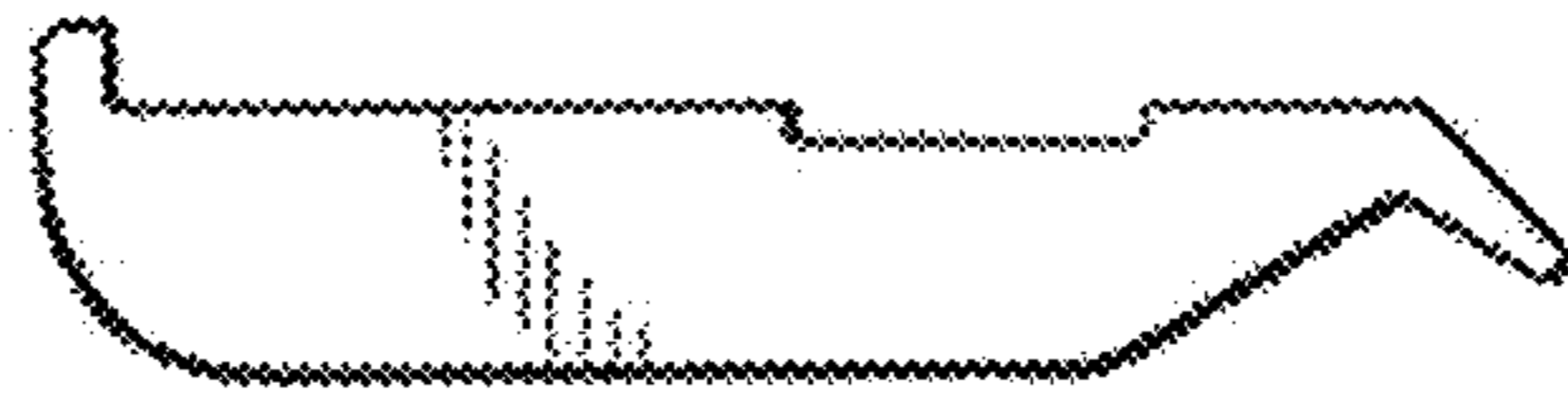


FIG. 7

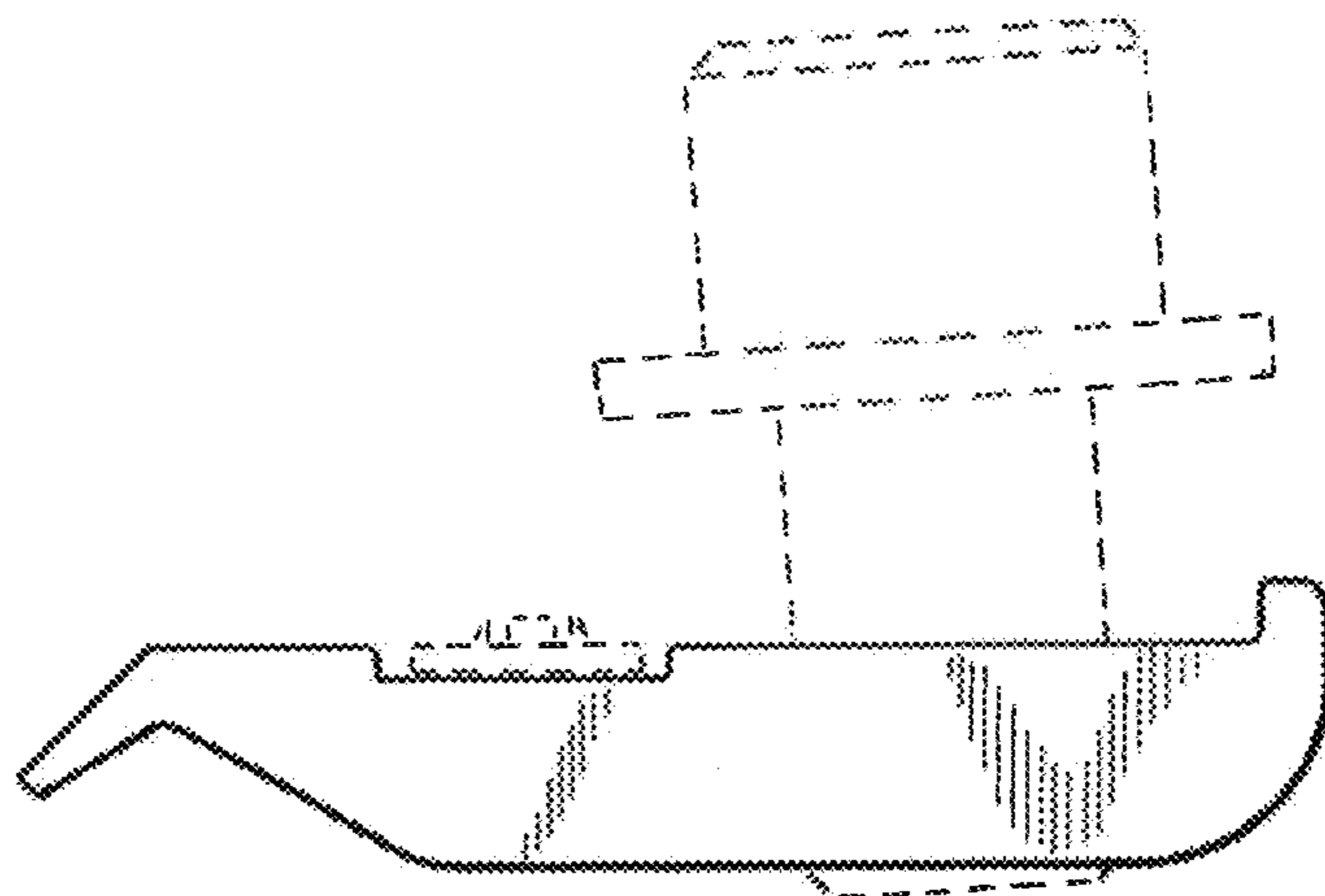


FIG. 8