



US00D801780S

(12) **United States Design Patent**
Marsden

(10) **Patent No.:** **US D801,780 S**

(45) **Date of Patent:** **** Nov. 7, 2017**

(54) **CABINET LOCK**

(71) Applicant: **Elbee Pty Ltd.**, Bondi Junction (AU)

(72) Inventor: **Andrew Marsden**, Hingham, MA (US)

(73) Assignee: **Elbee Pty Ltd.**, Bondi Junction (AU)

(**) Term: **15 Years**

(21) Appl. No.: **29/563,145**

(22) Filed: **May 2, 2016**

(51) **LOC (10) Cl.** **08-07**

(52) **U.S. Cl.**

USPC **D8/339**; D8/331; D8/343

(58) **Field of Classification Search**

USPC D8/330, 331, 339-342, 349, 367, 400;
70/14, 19, 57, 57.1, 58, 51, 52, 199, 237,
70/240, 431, 288, 94, 99, 175, 177, 209,
70/225, 226, 70-84; 292/92, 339, 259 R,
292/259 A, 57, 262, 273, 305, 306,
292/DIG. 47; 49/57, 61, 62, 303,
49/463-466

CPC E05B 73/00

See application file for complete search history.

(56) **References Cited**

U.S. PATENT DOCUMENTS

291,388 A * 1/1884 Myers A61H 9/005
601/15
D244,174 S 5/1977 Sankey
D313,161 S * 12/1990 Westphal D8/307
5,088,158 A * 2/1992 Burkholder E05B 75/00
128/879
5,557,956 A * 9/1996 Merz B60R 25/0225
70/209
5,794,461 A * 8/1998 Smith B65D 63/1072
292/318
D499,953 S * 12/2004 Haggard D8/343
D504,177 S * 4/2005 Erfan D14/205

D569,369 S * 5/2008 Brennwald D14/205
7,687,701 B1 * 3/2010 Kushner G10G 7/005
206/314
7,784,313 B2 * 8/2010 Wyers E05B 67/003
70/14
D653,234 S * 1/2012 Lee D14/205
8,340,338 B2 * 12/2012 Mlodzikowski H04R 1/1016
381/328

(Continued)

OTHER PUBLICATIONS

[No Author Listed] Safety 1st Cabinet Lock, publicly disclosed prior to Sep. 10, 2014. 1 page.

(Continued)

Primary Examiner — Prabhakar Deshmukh

(74) *Attorney, Agent, or Firm* — Wolf, Greenfield & Sacks, P.C.

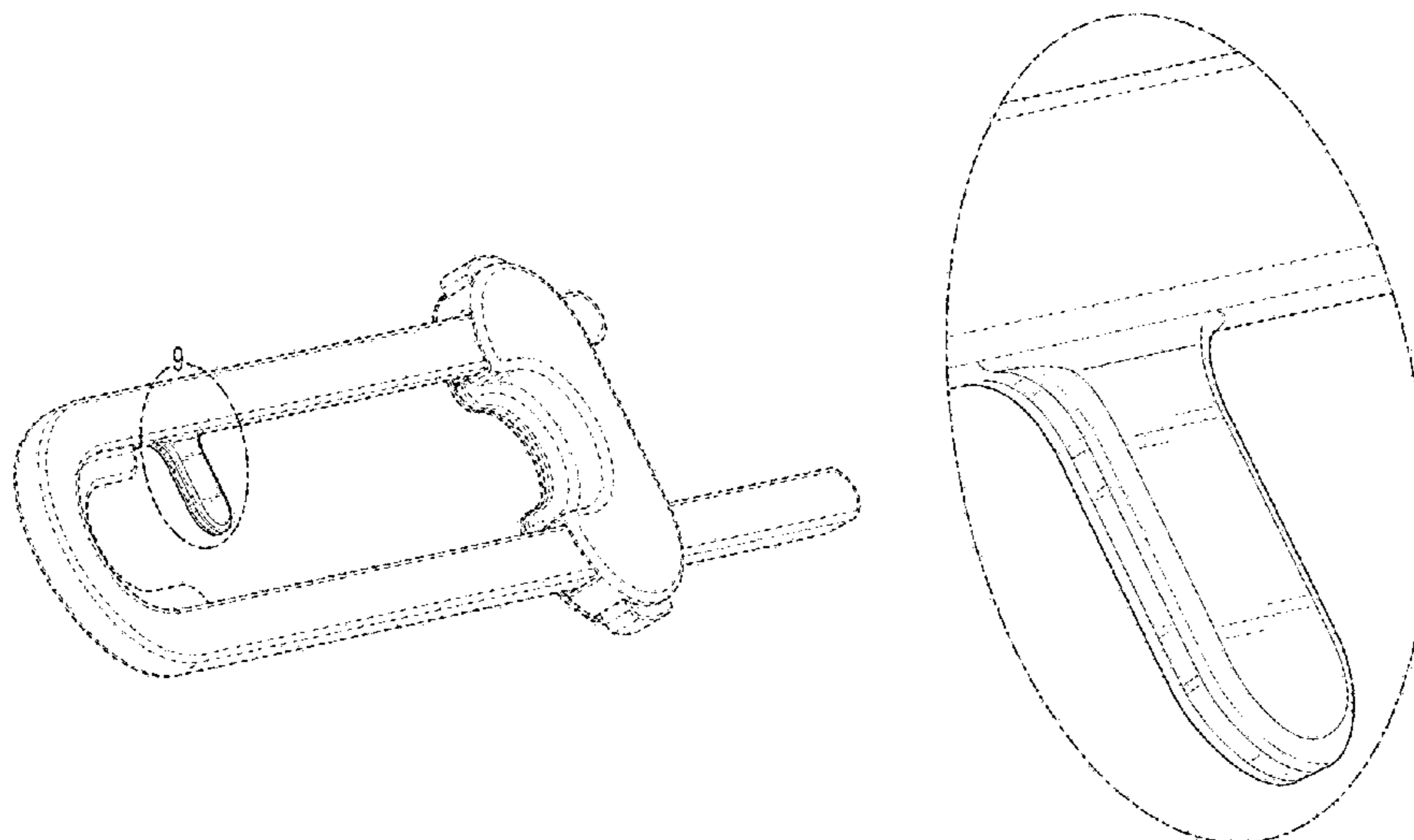
(57) **CLAIM**

The ornamental design for a cabinet lock, as shown and described.

DESCRIPTION

FIG. 1 is a bottom, front, left side perspective view of a cabinet lock showing my new design;
FIG. 2 is a front elevation view thereof;
FIG. 3 is a rear elevation view thereof;
FIG. 4 is a left side elevation view thereof;
FIG. 5 is a right side elevation view thereof;
FIG. 6 is a top plan view thereof;
FIG. 7 is a bottom plan view thereof;
FIG. 8 is a bottom, front, right side perspective view thereof;
and,
FIG. 9 is an enlarged fragmentary front view of the portion shown within the encircled area identified as 9 in FIG. 1. The broken lines represent portions of the cabinet lock that form no part of the claimed design.

1 Claim, 7 Drawing Sheets



(56)

References Cited

U.S. PATENT DOCUMENTS

8,402,798 B2 * 3/2013 Brojanac E05B 67/383
137/385
D719,436 S * 12/2014 Roggero D8/330
D766,068 S * 9/2016 Marsden D8/331
D769,101 S * 10/2016 Zemel D8/321
D770,263 S * 11/2016 Marsden D8/330
D778,139 S * 2/2017 Sarnowski D8/331

OTHER PUBLICATIONS

[No Author Listed] Dreambaby® Sliding Lock with Catch, known publicly prior to May 2, 2015.

* cited by examiner

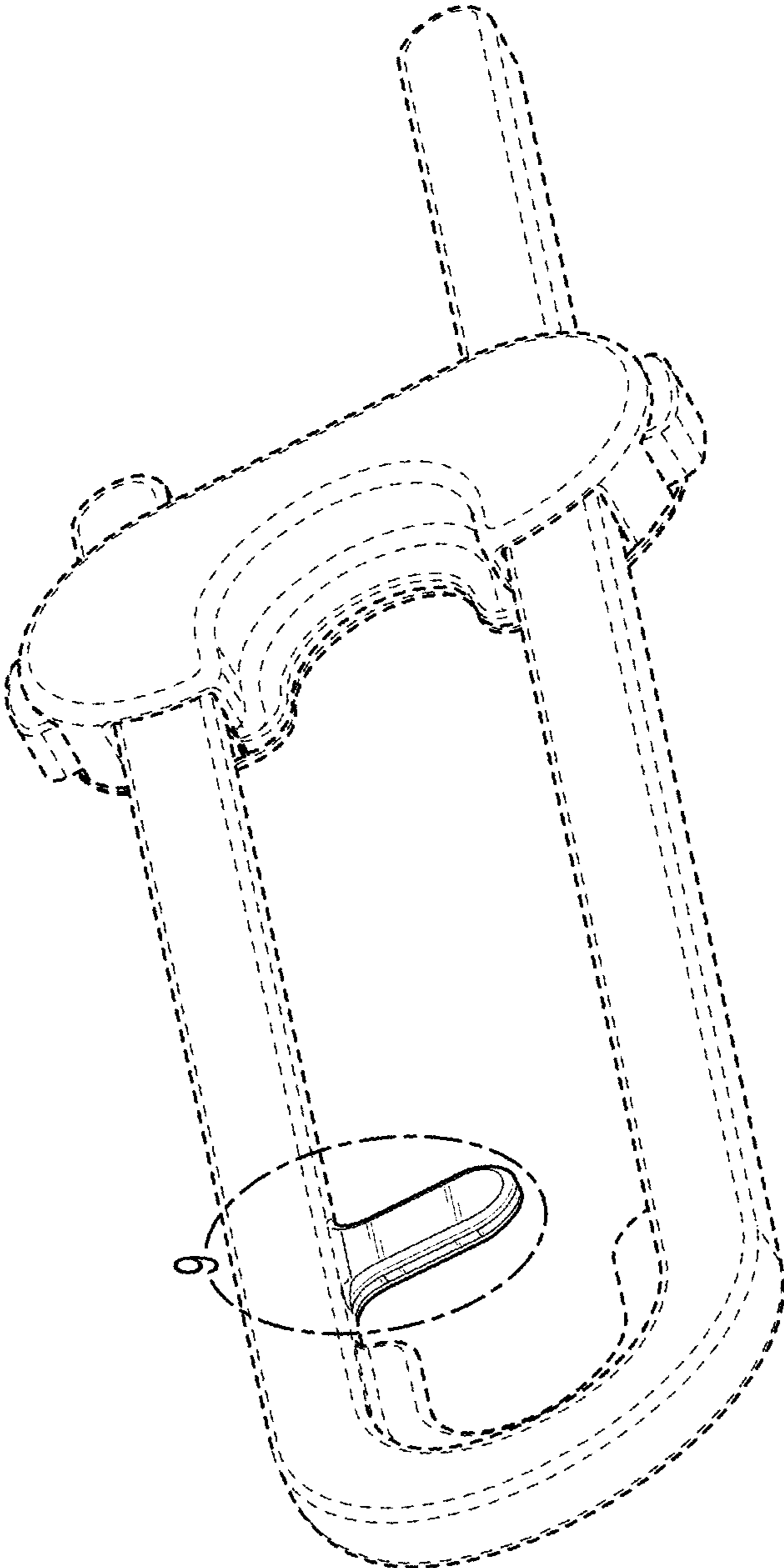


FIG. 1

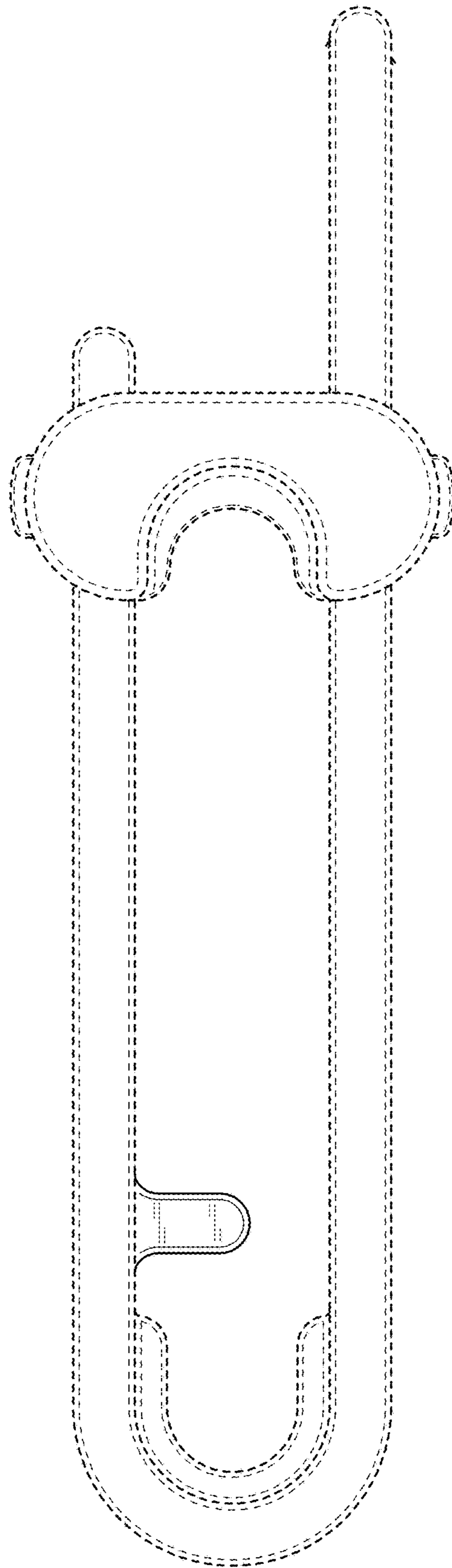


FIG. 2

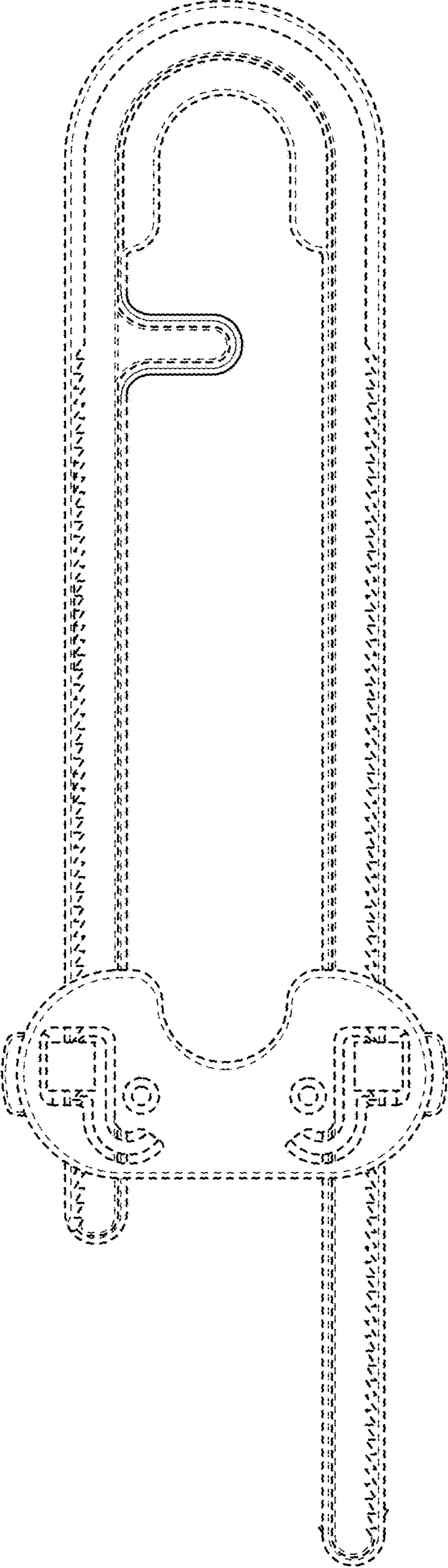


FIG. 3

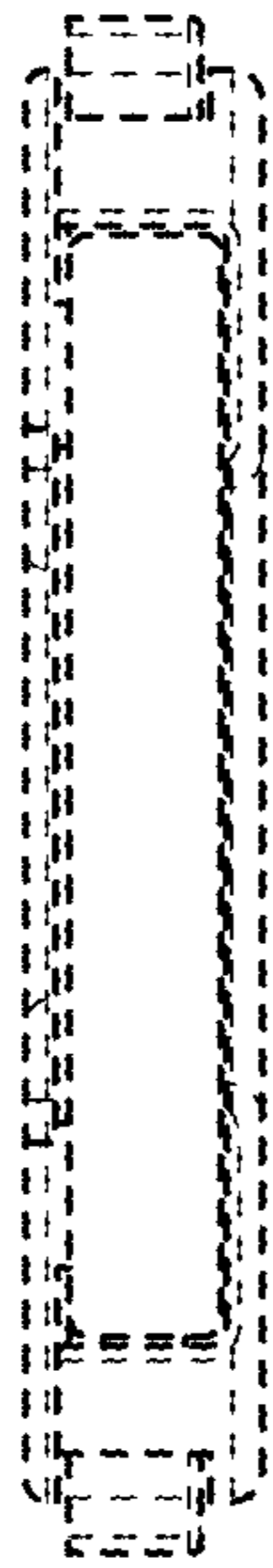


FIG. 4

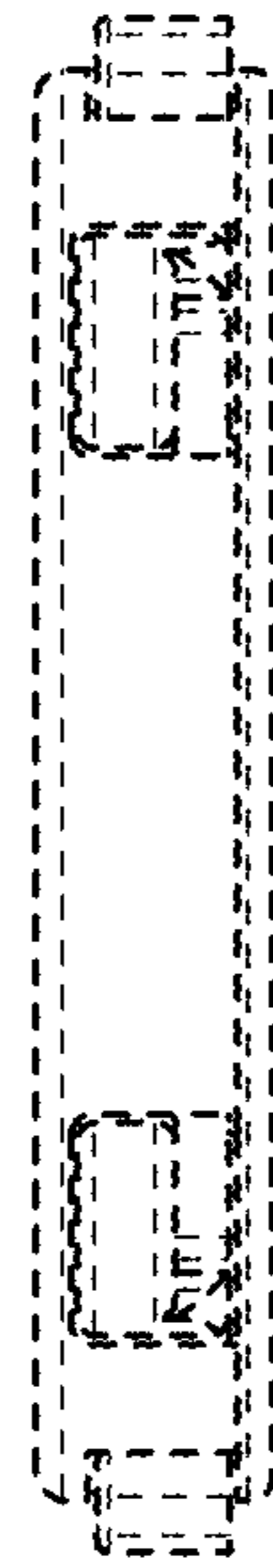


FIG. 5

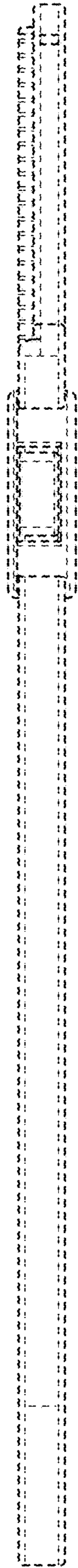


FIG. 6

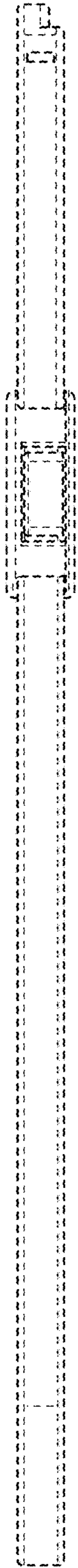


FIG. 7

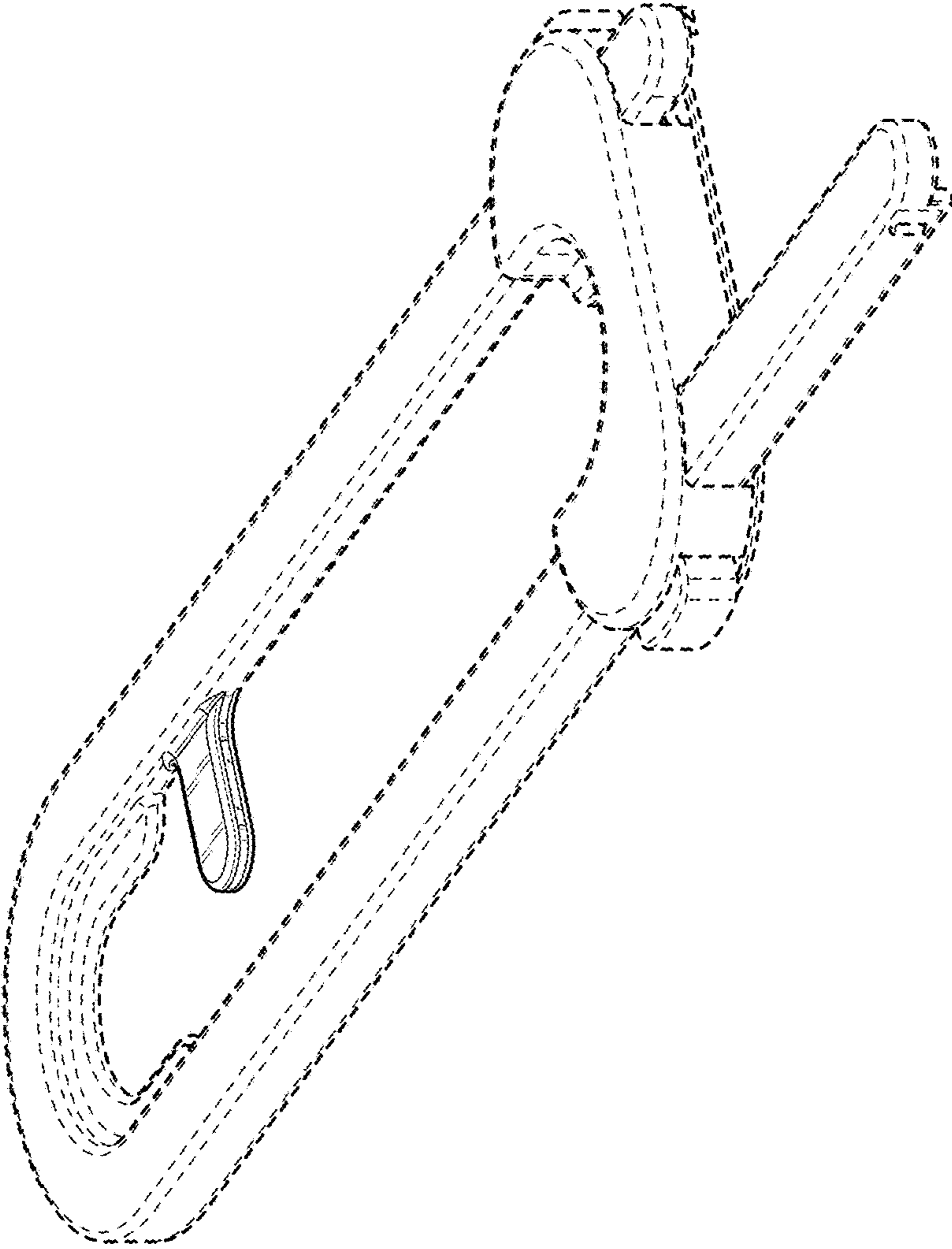


FIG. 8

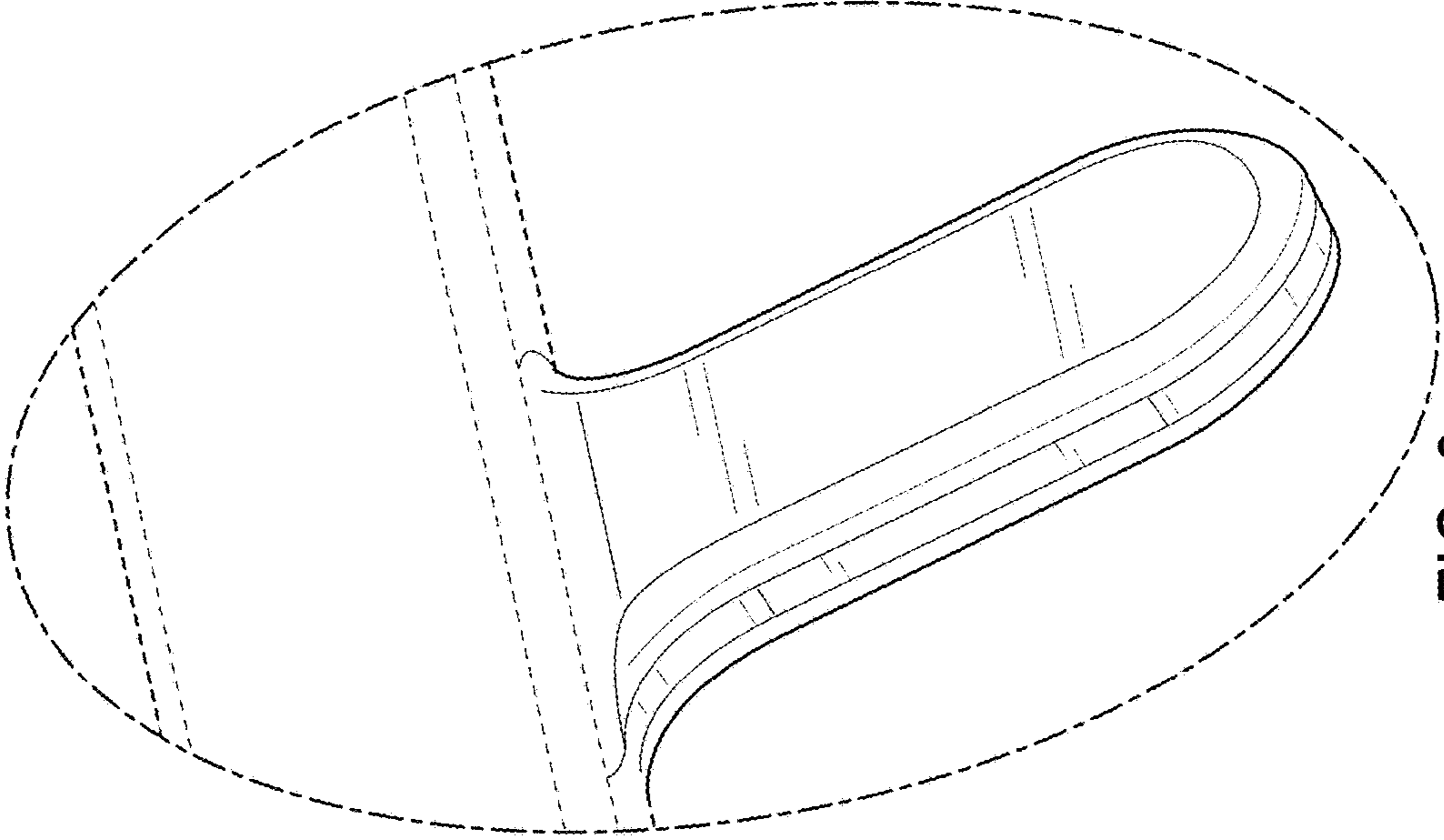


FIG. 9